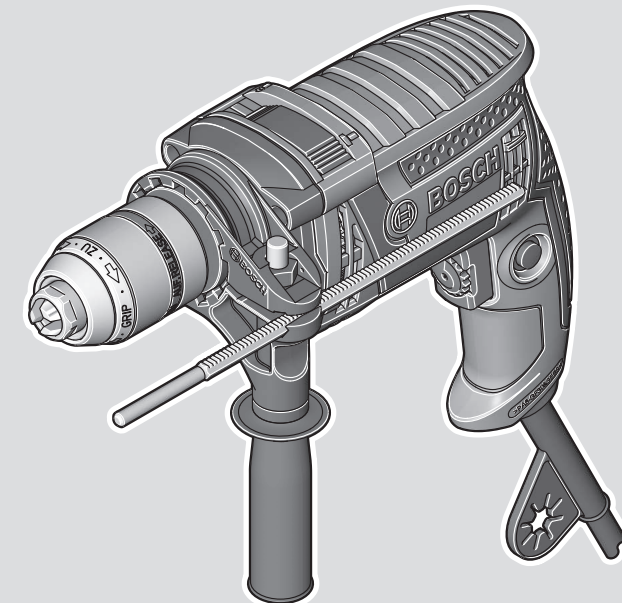




GSB Professional **HEAVY DUTY**

13 | 13 RE | 16 | 16 RE



Robert Bosch Power Tools GmbH
70538 Stuttgart
GERMANY

www.bosch-pt.com

1 609 92A 5AD (2020.09) AS / 59

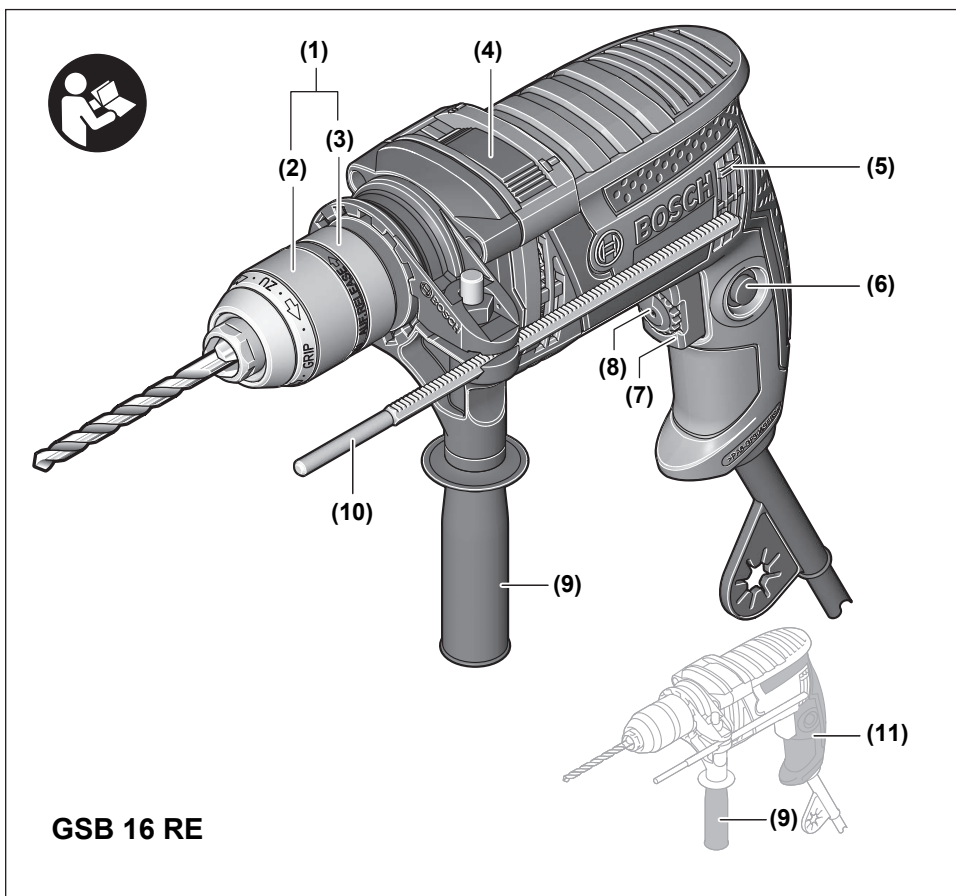


1 609 92A 5AD

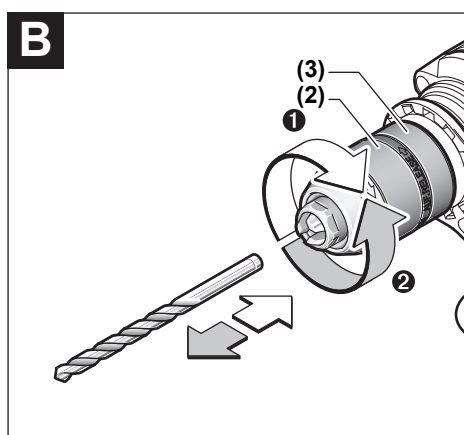
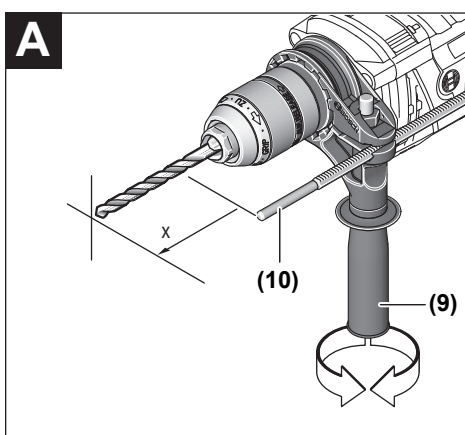
- en Original instructions
- fr Notice originale
- pt Manual original
- zh 正本使用说明书
- zh 原始使用說明書
- th หนังสือคู่มือการใช้งานฉบับต้นแบบ
- id Petunjuk-Petunjuk untuk Penggunaan Orisinal
- vi Bản gốc hướng dẫn sử dụng
- ar دليل التشغيل الأصلي
- fa دفترچه راهنمای اصلی

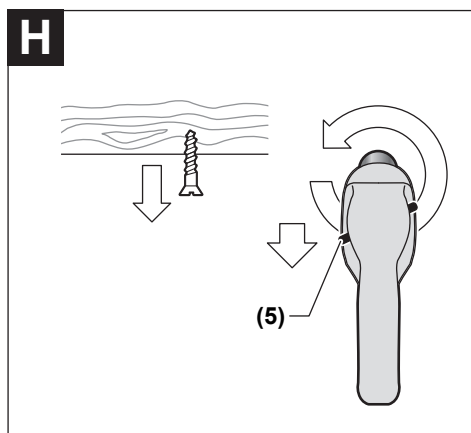
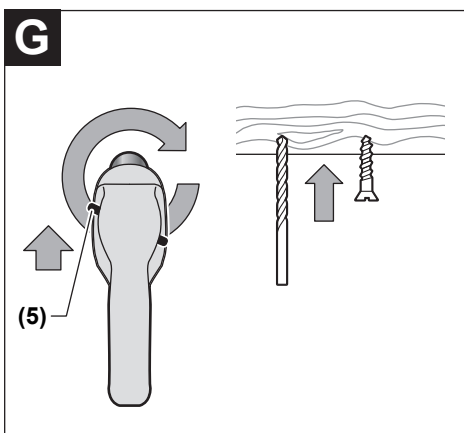
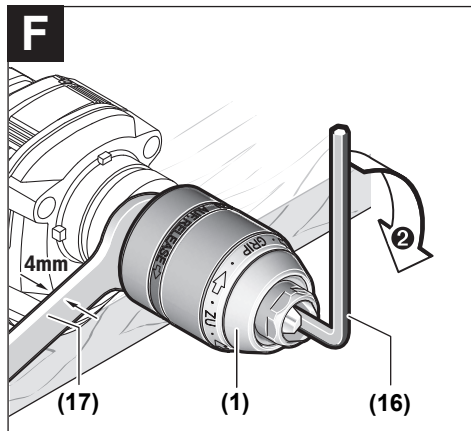
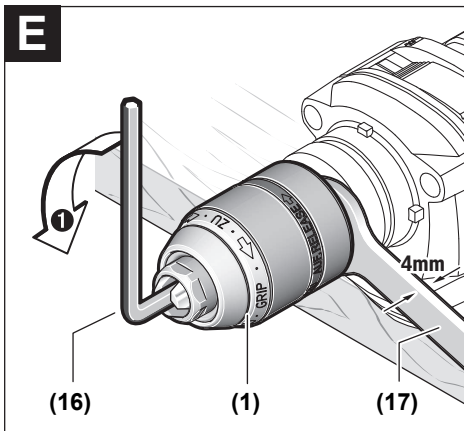
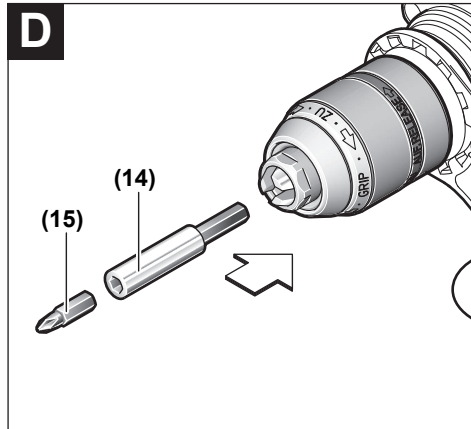
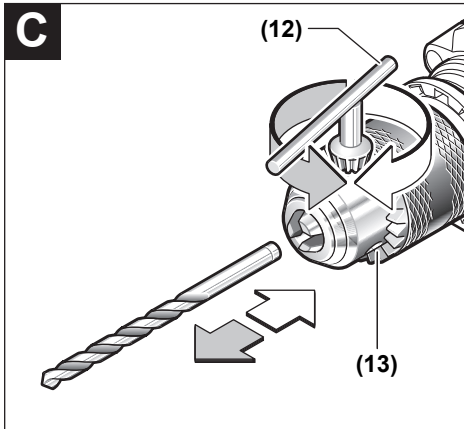


| | | |
|------------------------|---------|----|
| English | Page | 5 |
| Français | Page | 9 |
| Português | Página | 15 |
| 中文 | 頁 | 20 |
| 繁體中文 | 頁 | 24 |
| ไทย | หน้า | 28 |
| Bahasa Indonesia | Halaman | 34 |
| Tiếng Việt | Trang | 39 |
| عربي | الصفحة | 44 |
| فارسی | صفحه | 49 |
| CE | | I |



GSB 16 RE





English

Safety instructions

General Power Tool Safety Warnings

⚠ WARNING Read all safety warnings, instructions, illustrations and specifications provided with this power tool. Failure to follow all instructions listed below may result in electric shock, fire and/or serious injury.

Save all warnings and instructions for future reference.

The term "power tool" in the warnings refers to your mains-operated (corded) power tool or battery-operated (cordless) power tool.

Work area safety

- ▶ **Keep work area clean and well lit.** Cluttered or dark areas invite accidents.
- ▶ **Do not operate power tools in explosive atmospheres, such as in the presence of flammable liquids, gases or dust.** Power tools create sparks which may ignite the dust or fumes.
- ▶ **Keep children and bystanders away while operating a power tool.** Distractions can cause you to lose control.

Electrical safety

- ▶ **Power tool plugs must match the outlet. Never modify the plug in any way. Do not use any adapter plugs with earthed (grounded) power tools.** Unmodified plugs and matching outlets will reduce risk of electric shock.
- ▶ **Avoid body contact with earthed or grounded surfaces, such as pipes, radiators, ranges and refrigerators.** There is an increased risk of electric shock if your body is earthed or grounded.
- ▶ **Do not expose power tools to rain or wet conditions.** Water entering a power tool will increase the risk of electric shock.
- ▶ **Do not abuse the cord. Never use the cord for carrying, pulling or unplugging the power tool. Keep cord away from heat, oil, sharp edges or moving parts.** Damaged or entangled cords increase the risk of electric shock.
- ▶ **When operating a power tool outdoors, use an extension cord suitable for outdoor use.** Use of a cord suitable for outdoor use reduces the risk of electric shock.
- ▶ **If operating a power tool in a damp location is unavoidable, use a residual current device (RCD) protected supply.** Use of an RCD reduces the risk of electric shock.

Personal safety

- ▶ **Stay alert, watch what you are doing and use common sense when operating a power tool. Do not use a power tool while you are tired or under the influence of drugs, alcohol or medication.** A moment of inatten-

tion while operating power tools may result in serious personal injury.

- ▶ **Use personal protective equipment. Always wear eye protection.** Protective equipment such as a dust mask, non-skid safety shoes, hard hat or hearing protection used for appropriate conditions will reduce personal injuries.
- ▶ **Prevent unintentional starting. Ensure the switch is in the off-position before connecting to power source and/or battery pack, picking up or carrying the tool.** Carrying power tools with your finger on the switch or energising power tools that have the switch on invites accidents.
- ▶ **Remove any adjusting key or wrench before turning the power tool on.** A wrench or a key left attached to a rotating part of the power tool may result in personal injury.
- ▶ **Do not overreach. Keep proper footing and balance at all times.** This enables better control of the power tool in unexpected situations.
- ▶ **Dress properly. Do not wear loose clothing or jewellery. Keep your hair and clothing away from moving parts.** Loose clothes, jewellery or long hair can be caught in moving parts.
- ▶ **If devices are provided for the connection of dust extraction and collection facilities, ensure these are connected and properly used.** Use of dust collection can reduce dust-related hazards.
- ▶ **Do not let familiarity gained from frequent use of tools allow you to become complacent and ignore tool safety principles.** A careless action can cause severe injury within a fraction of a second.

Power tool use and care

- ▶ **Do not force the power tool. Use the correct power tool for your application.** The correct power tool will do the job better and safer at the rate for which it was designed.
- ▶ **Do not use the power tool if the switch does not turn it on and off.** Any power tool that cannot be controlled with the switch is dangerous and must be repaired.
- ▶ **Disconnect the plug from the power source and/or remove the battery pack, if detachable, from the power tool before making any adjustments, changing accessories, or storing power tools.** Such preventive safety measures reduce the risk of starting the power tool accidentally.
- ▶ **Store idle power tools out of the reach of children and do not allow persons unfamiliar with the power tool or these instructions to operate the power tool.** Power tools are dangerous in the hands of untrained users.
- ▶ **Maintain power tools and accessories. Check for misalignment or binding of moving parts, breakage of parts and any other condition that may affect the power tool's operation. If damaged, have the power tool repaired before use.** Many accidents are caused by poorly maintained power tools.

- ▶ **Keep cutting tools sharp and clean.** Properly maintained cutting tools with sharp cutting edges are less likely to bind and are easier to control.
- ▶ **Use the power tool, accessories and tool bits etc. in accordance with these instructions, taking into account the working conditions and the work to be performed.** Use of the power tool for operations different from those intended could result in a hazardous situation.
- ▶ **Keep handles and grasping surfaces dry, clean and free from oil and grease.** Slippery handles and grasping surfaces do not allow for safe handling and control of the tool in unexpected situations.

Service

- ▶ **Have your power tool serviced by a qualified repair person using only identical replacement parts.** This will ensure that the safety of the power tool is maintained.

Safety Warnings for Drills

Safety instructions for all operations

- ▶ **Wear ear protectors when impact drilling.** Exposure to noise can cause hearing loss.
- ▶ **Use the auxiliary handle(s).** Loss of control can cause personal injury.
- ▶ **Hold the power tool by insulated gripping surfaces, when performing an operation where the cutting accessory or fasteners may contact hidden wiring or its own cord.** Cutting accessory or fasteners contacting a "live" wire may make exposed metal parts of the power tool "live" and could give the operator an electric shock.

Safety instructions when using long drill bits

- ▶ **Never operate at higher speed than the maximum speed rating of the drill bit.** At higher speeds, the bit is likely to bend if allowed to rotate freely without contacting the workpiece, resulting in personal injury.
- ▶ **Always start drilling at low speed and with the bit tip in contact with the workpiece.** At higher speeds, the bit is likely to bend if allowed to rotate freely without contacting the workpiece, resulting in personal injury.
- ▶ **Apply pressure only in direct line with the bit and do not apply excessive pressure.** Bits can bend causing breakage or loss of control, resulting in personal injury.

Additional safety warnings

- ▶ **Switch the power tool off immediately if the application tool becomes blocked. Be prepared for high torque reactions which cause kickback.** The application tool becomes blocked when it becomes jammed in the workpiece or when the power tool becomes overloaded.
- ▶ **Hold the power tool securely.** When tightening and loosening screws be prepared for temporarily high torque reactions.
- ▶ **Secure the workpiece.** A workpiece clamped with clamping devices or in a vice is held more secure than by hand.

- ▶ **Use suitable detectors to determine if utility lines are hidden in the work area or call the local utility company for assistance.** Contact with electric lines can lead to fire and electric shock. Damaging a gas line can lead to explosion. Penetrating a water line causes property damage or may cause an electric shock.
- ▶ **Always wait until the power tool has come to a complete stop before placing it down.** The application tool can jam and cause you to lose control of the power tool.

Products sold in GB only:

Your product is fitted with an BS 1363/A approved electric plug with internal fuse (ASTA approved to BS 1362).

If the plug is not suitable for your socket outlets, it should be cut off and an appropriate plug fitted in its place by an authorised customer service agent. The replacement plug should have the same fuse rating as the original plug.

The severed plug must be disposed of to avoid a possible shock hazard and should never be inserted into a mains socket elsewhere.

Product Description and Specifications



Read all the safety and general instructions.

Failure to observe the safety and general instructions may result in electric shock, fire and/or serious injury.

Please observe the illustrations at the beginning of this operating manual.

Intended Use

The power tool is intended for impact driving in brick, concrete and stone, as well as for drilling in wood, metal and plastic. Tools with electronic control and clockwise/anti-clockwise rotation are also suitable for screwdriving and thread cutting.

Product Features

The numbering of the product features refers to the diagram of the power tool on the graphics page.

- (1) Keyless chuck^{A)}
- (2) Front sleeve
- (3) Rear sleeve
- (4) "Drilling/impact drilling" selector switch
- (5) Rotational direction switch (GSB 13 RE/GSB 16 RE)
- (6) Lock-on button for on/off switch
- (7) On/off switch
- (8) Speed preselection thumbwheel (GSB 16 RE)
- (9) Auxiliary handle (insulated gripping surface)^{A)}
- (10) Depth stop^{A)}
- (11) Handle (insulated gripping surface)
- (12) Drill chuck key^{A)}
- (13) Keyed chuck^{A)}

(14) Universal bit holder^{A)}(15) Screwdriver bit^{A)}(16) Hex key^{A/B)}(17) Open-ended spanner^{A/B)}A) **Accessories shown or described are not included with the product as standard. You can find the complete selection of accessories in our accessories range.**B) **Commercially available (not included in the scope of delivery)**

Technical Data

| Impact drill | | GSB 13 | GSB 13 RE | GSB 16 | GSB 16 RE |
|--|-------------------|----------------------|----------------------|----------------------|----------------------|
| Article number | | 3 601 B27 0.. | 3 601 B27 1.. | 3 601 B28 0.. | 3 601 B28 1.. |
| Rated power input | W | 650 | 650 | 750 | 750 |
| Power output | W | 353 | 353 | 456 | 456 |
| No-load speed | min ⁻¹ | 3150 | 3150 | 3250 | 3250 |
| Impact rate | min ⁻¹ | 47,000 | 47,000 | 48,500 | 48,500 |
| Rated torque | Nm | 1.8 | 1.8 | 2.1 | 2.1 |
| Speed preselection | | – | – | – | ● |
| Clockwise/anticlockwise rotation | | – | ● | – | ● |
| Spindle collar diameter | mm | 43 | 43 | 43 | 43 |
| Max. drilling diameter | | | | | |
| – Concrete | mm | 13 | 13 | 16 | 16 |
| – Steel | mm | 10 | 10 | 12 | 12 |
| – Wood | mm | 20 | 20 | 25 | 25 |
| Chuck capacity | mm | 1.5–13 | 1.5–13 | 1.5–13 | 1.5–13 |
| Weight according to EPTA-Procedure 01:2014 | kg | 1.6 | 1.6 | 1.8 | 1.8 |
| Protection class | | □/II | □/II | □/II | □/II |

The specifications apply to a rated voltage [U] of 230 V. These specifications may vary at different voltages and in country-specific models.

Noise/vibration information

Noise emission values determined according to **EN 62841 2-1**.

Typically, the A-weighted noise level of the power tool is: Sound pressure level **100 dB(A)**; sound power level **111 dB(A)**. Uncertainty K = 5 dB.

Wear hearing protection!

Vibration total values a_h (tri-ax vector sum) and uncertainty K determined according to **EN 62841 2-1**:

GSB 13/GSB 13 RE

Drilling into metal: $a_h = 3.0 \text{ m/s}^2$, K = **1.5 m/s²**

Impact drilling into concrete: $a_h = 14.0 \text{ m/s}^2$, K = **1.5 m/s²**

GSB 16/GSB 16 RE

Drilling into metal: $a_h = 4.5 \text{ m/s}^2$, K = **1.5 m/s²**

Impact drilling into concrete: $a_h = 13.0 \text{ m/s}^2$, K = **1.5 m/s²**

The vibration level and noise emission value given in these instructions have been measured in accordance with a standardised measuring procedure and may be used to compare power tools. They may also be used for a preliminary estimation of vibration and noise emissions.

The stated vibration level and noise emission value represent the main applications of the power tool. However, if the

power tool is used for other applications, with different application tools or is poorly maintained, the vibration level and noise emission value may differ. This may significantly increase the vibration and noise emissions over the total working period.

To estimate vibration and noise emissions accurately, the times when the tool is switched off or when it is running but not actually being used should also be taken into account. This may significantly reduce vibration and noise emissions over the total working period.

Implement additional safety measures to protect the operator from the effects of vibration, such as servicing the power tool and application tools, keeping their hands warm, and organising workflows correctly.

Assembly

► **Pull the plug out of the socket before carrying out any work on the power tool.**

Auxiliary Handle (see figure)

► **Do not operate your power tool without the auxiliary handle (9).**

You can swivel the auxiliary handle (9) to any angle for a safe work posture that minimises fatigue.

Turn the lower gripping end of the auxiliary handle (9) anti-clockwise and set the depth stop (10).

Pull the depth stop far enough out that the distance between the drill bit tip and the edge of the depth stop corresponds to the required drilling depth X.

Then, turn the lower gripping end of the auxiliary handle (9) clockwise to retighten it.

The fluting on the depth stop (10) must face upwards.

Changing the Tool

Keyless Chuck (see figure B)

Hold the rear sleeve (3) of the keyless chuck (1) firmly and turn the front sleeve (2) in the rotational direction ① until the tool can be inserted. Insert the tool.

Hold the rear sleeve (3) of the keyless chuck (1) and firmly tighten the front sleeve (2) by hand in the rotational direction ② until it stops clicking. This will automatically lock the drill chuck.

The lock will disengage again if you turn the front sleeve (2) in the opposite direction to remove the tool.

Keyed chuck (see figure C)

► **Wear protective gloves when changing tools.** The drill chuck may heat up significantly when it is used for long periods.

Open the keyed chuck (13) by turning it until the tool can be inserted. Insert the tool.

Insert the drill chuck key (12) into the corresponding holes of the keyed chuck (13) and clamp the tool evenly.

Screwdriving Tools (see figure D)

You should always use a universal bit holder (14) when using screwdriver bits (15). Only use screwdriver bits that fit the screw head.

For screwdriving, make sure the "drilling/impact drilling" selector switch (4) is always set to the "drilling" symbol.

Changing the Drill Chuck

► **Pull the plug out of the socket before carrying out any work on the power tool.**

Removing the Drill Chuck (see figure E)

To remove the keyless chuck (1), clamp a hex key (16) in the keyless chuck (1) and position an open-ended spanner (17) (width across flats: 14) against the spanner flat of the drive spindle.

Place the power tool on a firm surface, e.g. a work bench.

Hold the open-ended spanner (17) in place and loosen the keyless chuck (1) by turning the hex key (16) in the rotational direction ①. A tightly seated keyless chuck can be loosened with a light blow on the long shaft of the hex key (16).

Remove the hex key from the keyless chuck and completely unscrew the keyless chuck from the power tool.

The keyed chuck (13) can be removed in the same way as described for the keyless chuck.

Fitting the Drill Chuck (see figure F)

The keyless chuck/keyless chuck with securing ring/keyed chuck is mounted in reverse order.



The drill chuck must be tightened using a tightening torque of approx. 33–39 Nm.

Dust/Chip Extraction

Dust from materials such as lead-containing coatings, some wood types, minerals and metal can be harmful to one's health. Touching or breathing-in the dust can cause allergic reactions and/or lead to respiratory infections of the user or bystanders.

Certain dust, such as oak or beech dust, is considered carcinogenic, especially in connection with wood-treatment additives (chromate, wood preservative). Materials containing asbestos may only be worked by specialists.

- Provide for good ventilation of the working place.
- It is recommended to wear a P2 filter-class respirator.

Observe the relevant regulations in your country for the materials to be worked.

► **Avoid dust accumulation at the workplace.** Dust can easily ignite.

Operation

Starting Operation

► **Pay attention to the mains voltage. The voltage of the power source must match the voltage specified on the rating plate of the power tool. Power tools marked with 230 V can also be operated with 220 V.**

► **Products that are only sold in AUS and NZ:** Use a residual current device (RCD) with a nominal residual current of 30 mA or less.

Setting the Rotational Direction (see figure G–H) (GSB 13 RE/GSB 16 RE)

► **Only operate the rotational direction switch (5) when the power tool is not in use.**

The rotational direction switch (5) is used to change the rotational direction of the power tool. However, this is not possible while the on/off switch (7) is being pressed.

Clockwise rotation: To drill and drive in screws, slide the rotational direction switch (5) upwards on the left-hand side and downwards on the right-hand side at the same time.

Anti-clockwise rotation: To loosen and unscrew screws and nuts, slide the rotational direction switch (5) downwards on the left-hand side and upwards on the right-hand side at the same time.

Setting the Operating Mode

Drilling and screwdriving

Set the selector switch (4) to the "drilling" symbol.





Impact drilling

Set the selector switch (4) to the "impact drilling" symbol.

The selector switch (4) clicks into place and can also be actuated when the motor is running.

Switching on/off

To **start** the power tool, press and hold the on/off switch (7).

Press the lock-on button (6) to **lock** the on/off switch (7) in this position.

To **switch off** the power tool, release the on/off switch (7); or, if the switch is locked with the lock-on button (6), briefly press the on/off switch (7) and then release it.

Setting the Speed/Impact rate (GSB 13 RE/GSB 16 RE)

You can adjust the speed/impact rate of the power tool when it is on by pressing in the on/off switch (7) to varying extents.

Applying light pressure to the on/off switch (7) results in a low rotational speed/impact rate. Applying increasing pressure to the switch increases the speed/impact rate.

Preselecting the Speed/Impact Rate (GSB 16 RE)

You can preselect the required speed/impact rate using the speed preselection thumbwheel (8), even during operation.

The required speed/impact rate is dependent on the material and the work conditions and can be determined by practical trials.

Practical Advice

- ▶ **Pull the plug out of the socket before carrying out any work on the power tool.**
- ▶ **Only apply the power tool to the screw/nut when the tool is switched off.** Rotating tool inserts can slip off.

After working at a low speed for an extended period, you should operate the power tool at the maximum speed for approximately three minutes without load to cool it down.

To drill into tiles, set the selector switch (4) to the "drilling" symbol. After drilling through the tile, set the selector switch to the "impact drilling" symbol and drill with impact.

Use carbide drill bits when working with concrete, stone and masonry.

When drilling into metal, only use sharpened HSS drills (HSS = high-speed steel) which are in perfect condition. The **Bosch** accessory range guarantees appropriate quality.

Using the drill bit sharpener (accessory), you can effortlessly sharpen twist drill bits with a diameter of 2.5–10 mm.

Maintenance and Service

Maintenance and Cleaning

- ▶ **Pull the plug out of the socket before carrying out any work on the power tool.**
- ▶ **To ensure safe and efficient operation, always keep the power tool and the ventilation slots clean.**

In order to avoid safety hazards, if the power supply cord needs to be replaced, this must be done by **Bosch** or by an after-sales service centre that is authorised to repair **Bosch** power tools.

After-Sales Service and Application Service

Our after-sales service responds to your questions concerning maintenance and repair of your product as well as spare parts. You can find explosion drawings and information on spare parts at: www.bosch-pt.com

The Bosch product use advice team will be happy to help you with any questions about our products and their accessories.

In all correspondence and spare parts orders, please always include the 10-digit article number given on the nameplate of the product.

Malaysia

Robert Bosch Sdn. Bhd. (220975-V) PT/SMY
No. 8A, Jalan 13/6
46200 Petaling Jaya
Selangor
Tel.: (03) 79663194
Toll-Free: 1800 880188
Fax: (03) 79583838
E-Mail: kiathoe.chong@my.bosch.com
www.bosch-pt.com.my

You can find further service addresses at:

www.bosch-pt.com/serviceaddresses

Disposal

The power tool, accessories and packaging should be recycled in an environmentally friendly manner.



Do not dispose of power tools along with household waste.

Français

Consignes de sécurité

Avertissements de sécurité généraux pour l'outil électrique

⚠ AVERTISSEMENT

Lire tous les avertissements de sécurité, les instructions, les illustrations et les spécifications fournis

avec cet outil électrique. Ne pas suivre les instructions énumérées ci-dessous peut provoquer un choc électrique, un incendie et/ou une blessure sérieuse.

Conserver tous les avertissements et toutes les instructions pour pouvoir s'y reporter ultérieurement.

Le terme "outil électrique" dans les avertissements fait référence à votre outil électrique alimenté par le secteur (avec

cordon d'alimentation) ou votre outil électrique fonctionnant sur batterie (sans cordon d'alimentation).

Sécurité de la zone de travail

- ▶ **Conserver la zone de travail propre et bien éclairée.** Les zones en désordre ou sombres sont propices aux accidents.
- ▶ **Ne pas faire fonctionner les outils électriques en atmosphère explosive, par exemple en présence de liquides inflammables, de gaz ou de poussières.** Les outils électriques produisent des étincelles qui peuvent enflammer les poussières ou les fumées.
- ▶ **Maintenir les enfants et les personnes présentes à l'écart pendant l'utilisation de l'outil électrique.** Les distractions peuvent vous faire perdre le contrôle de l'outil.

Sécurité électrique

- ▶ **Il faut que les fiches de l'outil électrique soient adaptées au socle. Ne jamais modifier la fiche de quelque façon que ce soit. Ne pas utiliser d'adaptateurs avec des outils électriques à branchement de terre.** Des fiches non modifiées et des socles adaptés réduisent le risque de choc électrique.
- ▶ **Éviter tout contact du corps avec des surfaces reliées à la terre telles que les tuyaux, les radiateurs, les cuisinières et les réfrigérateurs.** Il existe un risque accru de choc électrique si votre corps est relié à la terre.
- ▶ **Ne pas exposer les outils électriques à la pluie ou à des conditions humides.** La pénétration d'eau à l'intérieur d'un outil électrique augmente le risque de choc électrique.
- ▶ **Ne pas maltraiter le cordon. Ne jamais utiliser le cordon pour porter, tirer ou débrancher l'outil électrique. Maintenir le cordon à l'écart de la chaleur, du lubrifiant, des arêtes vives ou des parties en mouvement.** Des cordons endommagés ou emmêlés augmentent le risque de choc électrique.
- ▶ **Lorsqu'on utilise un outil électrique à l'extérieur, utiliser un prolongateur adapté à l'utilisation extérieure.** L'utilisation d'un cordon adapté à l'utilisation extérieure réduit le risque de choc électrique.
- ▶ **Si l'usage d'un outil électrique dans un emplacement humide est inévitable, utiliser une alimentation protégée par un dispositif à courant différentiel résiduel (RCD).** L'usage d'un RCD réduit le risque de choc électrique.

Sécurité des personnes

- ▶ **Rester vigilant, regarder ce que vous êtes en train de faire et faire preuve de bon sens dans votre utilisation de l'outil électrique. Ne pas utiliser un outil électrique lorsque vous êtes fatigué ou sous l'emprise de drogues, de l'alcool ou de médicaments.** Un moment d'inattention en cours d'utilisation d'un outil électrique peut entraîner des blessures graves.
- ▶ **Utiliser un équipement de protection individuelle. Toujours porter une protection pour les yeux.** Les

équipements de protection individuelle tels que les masques contre les poussières, les chaussures de sécurité antidérapantes, les casques ou les protections auditives utilisés pour les conditions appropriées réduisent les blessures.

- ▶ **Éviter tout démarrage intempestif. S'assurer que l'interrupteur est en position arrêté avant de brancher l'outil au secteur et/ou au bloc de batteries, de le ramasser ou de le porter.** Porter les outils électriques en ayant le doigt sur l'interrupteur ou brancher des outils électriques dont l'interrupteur est en position marche est source d'accidents.
- ▶ **Retirer toute clé de réglage avant de mettre l'outil électrique en marche.** Une clé laissée fixée sur une partie tournante de l'outil électrique peut donner lieu à des blessures.
- ▶ **Ne pas se précipiter. Garder une position et un équilibre adaptés à tout moment.** Cela permet un meilleur contrôle de l'outil électrique dans des situations inattendues.
- ▶ **S'habiller de manière adaptée. Ne pas porter de vêtements amples ou de bijoux. Garder les cheveux et les vêtements à distance des parties en mouvement.** Des vêtements amples, des bijoux ou les cheveux longs peuvent être pris dans des parties en mouvement.
- ▶ **Si des dispositifs sont fournis pour le raccordement d'équipements pour l'extraction et la récupération des poussières, s'assurer qu'ils sont connectés et correctement utilisés.** Utiliser des collecteurs de poussière peut réduire les risques dus aux poussières.
- ▶ **Rester vigilant et ne pas négliger les principes de sécurité de l'outil sous prétexte que vous avez l'habitude de l'utiliser.** Une fraction de seconde d'inattention peut provoquer une blessure grave.

Utilisation et entretien de l'outil électrique

- ▶ **Ne pas forcer l'outil électrique. Utiliser l'outil électrique adapté à votre application.** L'outil électrique adapté réalise mieux le travail et de manière plus sûre au régime pour lequel il a été construit.
- ▶ **Ne pas utiliser l'outil électrique si l'interrupteur ne permet pas de passer de l'état de marche à arrêté et inversement.** Tout outil électrique qui ne peut pas être commandé par l'interrupteur est dangereux et il faut le réparer.
- ▶ **Débrancher la fiche de la source d'alimentation et/ou enlever le bloc de batteries, s'il est amovible, avant tout réglage, changement d'accessoires ou avant de ranger l'outil électrique.** De telles mesures de sécurité préventives réduisent le risque de démarrage accidentel de l'outil électrique.
- ▶ **Conserver les outils électriques à l'arrêt hors de la portée des enfants et ne pas permettre à des personnes ne connaissant pas l'outil électrique ou les présentes instructions de le faire fonctionner.** Les outils électriques sont dangereux entre les mains d'utilisateurs novices.

- ▶ **Observer la maintenance des outils électriques et des accessoires.** Vérifier qu'il n'y a pas de mauvais alignement ou de blocage des parties mobiles, des pièces cassées ou toute autre condition pouvant affecter le fonctionnement de l'outil électrique. En cas de dommages, faire réparer l'outil électrique avant de l'utiliser. De nombreux accidents sont dus à des outils électriques mal entretenus.
- ▶ **Garder affûtés et propres les outils permettant de couper.** Des outils destinés à couper correctement entretenus avec des pièces coupantes tranchantes sont moins susceptibles de bloquer et sont plus faciles à contrôler.
- ▶ **Utiliser l'outil électrique, les accessoires et les lames etc., conformément à ces instructions, en tenant compte des conditions de travail et du travail à réaliser.** L'utilisation de l'outil électrique pour des opérations différentes de celles prévues peut donner lieu à des situations dangereuses.
- ▶ **Il faut que les poignées et les surfaces de préhension restent sèches, propres et dépourvues d'huiles et de graisses.** Des poignées et des surfaces de préhension glissantes rendent impossibles la manipulation et le contrôle en toute sécurité de l'outil dans les situations inattendues.

Maintenance et entretien

- ▶ **Faire entretenir l'outil électrique par un réparateur qualifié utilisant uniquement des pièces de rechange identiques.** Cela assure le maintien de la sécurité de l'outil électrique.

Avertissements de sécurité pour la perceuse

Instructions de sécurité pour toutes les opérations

- ▶ **Porter des protecteurs d'oreille lors de l'utilisation de la perceuse à percussion.** Porter des protecteurs d'oreille lors de l'utilisation de la perceuse à percussion.
- ▶ **Utiliser la ou les poignées auxiliaires.** La perte de contrôle peut provoquer des blessures.
- ▶ **Tenir l'outil électrique par les surfaces de préhension isolées, au cours des opérations pendant lesquelles l'accessoire de coupe ou les fixations peut être en contact avec un câblage caché ou avec son propre cordon.** Un accessoire de coupe ou les fixations en contact avec un fil "sous tension" peut "mettre sous tension" les parties métalliques exposées de l'outil électrique et provoquer un choc électrique chez l'opérateur.

Instructions de sécurité pour l'utilisation de forets longs

- ▶ **Ne jamais utiliser à une vitesse supérieure à la vitesse assignée maximale du foret.** À des vitesses supérieures, le foret est susceptible de se plier s'il peut tourner librement sans être en contact avec la pièce à usiner, ce qui provoque des blessures.
- ▶ **Toujours commencer à percer à faible vitesse et en mettant l'embout du foret en contact avec la pièce à usiner.** À des vitesses supérieures, le foret est susceptible de se plier s'il peut tourner librement sans être en

contact avec la pièce à usiner, ce qui provoque des blessures.

- ▶ **Appliquer une pression uniquement sur le foret et ne pas appliquer de pression excessive.** Les forets peuvent se plier, ce qui peut provoquer leur casse ou une perte de contrôle, et donc des blessures.

Consignes de sécurité additionnelles

- ▶ **Arrêtez immédiatement l'outil électroportatif dès que l'accessoire se bloque. Attendez-vous à des couples de réaction importants causant des rebonds.** L'accessoire se bloque quand il reste coincé dans la pièce ou quand l'outil électroportatif est en surcharge.
- ▶ **Maintenez bien l'outil électroportatif en place.** Lors du serrage ou du desserrage des vis, des couples de réaction élevés peuvent survenir en peu de temps.
- ▶ **Bloquez la pièce à travailler.** Une pièce à travailler serrée par des dispositifs de serrage appropriés ou dans un étau est fixée de manière plus sûre que quand elle est tenue avec une main.
- ▶ **Utilisez un détecteur approprié pour vérifier s'il n'y a pas de conduites cachées ou contactez votre société de distribution d'eau locale.** Tout contact avec des câbles électriques peut provoquer un incendie ou un choc électrique. Tout endommagement d'une conduite de gaz peut provoquer une explosion. La perforation d'une conduite d'eau provoque des dégâts matériels et peut provoquer un choc électrique.
- ▶ **Avant de poser l'outil électroportatif, attendez que celui-ci soit complètement à l'arrêt.** L'outil risque de se coincer, ce qui entraînerait une perte de contrôle de l'outil électroportatif.

Description des prestations et du produit



Lisez attentivement toutes les instructions et consignes de sécurité. Le non-respect des instructions et consignes de sécurité peut provoquer un choc électrique, un incendie et/ou entraîner de graves blessures.

Référez-vous aux illustrations qui se trouvent à l'avant de la notice d'utilisation.

Utilisation conforme

L'outil électroportatif est conçu pour les perçages avec percussion dans la brique, le béton et dans la pierre naturelle ainsi que pour les perçages sans percussion dans le bois, le métal et les plastiques. Les outils à régulation électronique et à réversibilité droite/gauche sont également appropriés pour les travaux de vissage et taraudage.

Éléments constitutifs

La numérotation des éléments de l'appareil se réfère à la représentation de l'outil électroportatif sur la page graphique.

- (1) Mandrin automatique^{A)}
- (2) Bague avant

- (3) Bague arrière
 (4) Sélecteur « Perçage / Perçage avec percussion »
 (5) Sélecteur de sens de rotation (GSB 13 RE / GSB 16 RE)
 (6) Bouton de blocage de l'interrupteur Marche/Arrêt
 (7) Interrupteur Marche/Arrêt
 (8) Molette de présélection de vitesse (GSB 16 RE)
 (9) Poignée supplémentaire (surface de préhension isolée)^{A)}
 (10) Butée de profondeur^{A)}
- (11) Poignée (surface de préhension isolée)
 (12) Clé de mandrin^{A)}
 (13) Mandrin à clé^{A)}
 (14) Porte-embout universel^{A)}
 (15) Embout de vissage^{A)}
 (16) Clé mâle pour vis à six pans creux^{A)B)}
 (17) Clé plate^{A)B)}
- A) Les accessoires décrits ou illustrés ne sont pas tous compris dans la fourniture. Vous trouverez les accessoires complets dans notre gamme d'accessoires.
 B) disponible dans le commerce (non fourni)

Caractéristiques techniques

| Perceuse à percussion | | GSB 13 | GSB 13 RE | GSB 16 | GSB 16 RE |
|--|-------------------|---------------|---------------|---------------|---------------|
| Référence | | 3 601 B27 0.. | 3 601 B27 1.. | 3 601 B28 0.. | 3 601 B28 1.. |
| Puissance absorbée nominale | W | 650 | 650 | 750 | 750 |
| Puissance débitée | W | 353 | 353 | 456 | 456 |
| Régime à vide | tr/min | 3 150 | 3 150 | 3 250 | 3 250 |
| Fréquence de frappe | min ⁻¹ | 47 000 | 47 000 | 48 500 | 48 500 |
| Couple nominal | Nm | 1,8 | 1,8 | 2,1 | 2,1 |
| Présélection de la vitesse de rotation | | - | - | - | ● |
| Réversibilité droite/gauche | | - | ● | - | ● |
| Collet de broche | mm | 43 | 43 | 43 | 43 |
| Ø de perçage maxi | | | | | |
| - Béton | mm | 13 | 13 | 16 | 16 |
| - Acier | mm | 10 | 10 | 12 | 12 |
| - Bois | mm | 20 | 20 | 25 | 25 |
| Plage de serrage du mandrin | mm | 1,5-13 | 1,5-13 | 1,5-13 | 1,5-13 |
| Poids selon EPTA-Procédure 01:2014 | kg | 1,6 | 1,6 | 1,8 | 1,8 |
| Indice de protection | | □/II | □/II | □/II | □/II |

Les données indiquées sont valables pour une tension nominale [U] de 230 V. Elles peuvent varier lorsque la tension diffère de cette valeur et sur certaines versions destinées à certains pays.

Niveau sonore et vibrations

Valeurs d'émissions sonores déterminées conformément à **EN 62841 2-1**.

Le niveau sonore en dB(A) typique de l'outil électroportatif est de : niveau de pression acoustique **100 dB(A)** ; niveau de puissance acoustique **111 dB(A)**. Incertitude K = **5 dB**.

Portez un casque antibruit !

Valeurs globales de vibration a_h (somme vectorielle sur les trois axes) et incertitude K conformément à **EN 62841 2-1** :

GSB 13/GSB 13 RE

Perçage dans le métal : $a_h = 3,0 \text{ m/s}^2$, K = **1,5** m/s^2

Perçage avec percussion dans le béton : $a_h = 14,0 \text{ m/s}^2$, K = **1,5** m/s^2

GSB 16/GSB 16 RE

Perçage dans le métal : $a_h = 4,5 \text{ m/s}^2$, K = **1,5** m/s^2

Perçage avec percussion dans le béton : $a_h = 13,0 \text{ m/s}^2$, K = **1,5** m/s^2

Le niveau de vibration et la valeur d'émission sonore indiqués dans cette notice d'utilisation ont été mesurés conformément à la norme et peuvent être utilisés pour une comparaison entre les outils électroportatifs. Ils peuvent aussi servir de base à une estimation préliminaire du taux de vibration et du niveau sonore.

Le niveau de vibration et la valeur d'émission sonore indiqués s'appliquent pour les utilisations principales de l'outil électroportatif. Si l'outil électroportatif est utilisé pour d'autres applications, avec d'autres accessoires de travail ou

sans avoir fait l'objet d'un entretien régulier, le niveau de vibration et la valeur d'émission sonore peuvent différer. Il peut en résulter des vibrations et un niveau sonore nettement plus élevés pendant toute la durée de travail.

Pour une estimation précise du niveau de vibration et du niveau sonore, il faut aussi prendre en considération les périodes pendant lesquelles l'outil est éteint ou bien en marche sans être vraiment en action. Il peut en résulter au final un niveau de vibration et un niveau sonore nettement plus faibles pendant toute la durée de travail.

Prévoyez des mesures de protection supplémentaires permettant de protéger l'utilisateur de l'effet des vibrations, par exemple : maintenance de l'outil électroportatif et des accessoires de travail, maintien des mains au chaud, organisation des procédures de travail.

Montage

- **Débranchez le câble d'alimentation de la prise avant d'effectuer des travaux quels qu'il soient sur l'outil électroportatif.**

Poignée supplémentaire (voir figure A)

- **N'utilisez l'outil électroportatif qu'avec la poignée supplémentaire (9).**

La poignée supplémentaire (9) peut être orientée dans n'importe quelle position, pour obtenir une position de travail sûre et peu fatigante.

Tournez la partie inférieure de la poignée supplémentaire (9) dans le sens contraire des aiguilles d'une montre et utilisez la butée de profondeur (10).

Tirez la butée de profondeur jusqu'à ce que l'écart entre la pointe du foret et la pointe de la butée de profondeur correspondent à la profondeur de perçage souhaitée X.

Resserrez ensuite la poignée supplémentaire (9) en la tournant dans le sens horaire.

La cannelure de la butée de profondeur (10) doit être orientée vers le haut.

Changement d'accessoire

Mandrin automatique (voir figure B)

Tenez la bague arrière (3) du mandrin automatique (1) et tournez la bague avant (2) dans le sens de rotation ⚙️, jusqu'à ce que l'accessoire (foret ou embout) puisse être inséré. Insérez l'accessoire de travail.

Tenez la bague arrière (3) du mandrin automatique (1) et tournez fermement la bague avant (2) dans le sens de rotation ⚙️, jusqu'à ce qu'aucun déclic ne soit audible. Le mandrin se verrouille alors automatiquement.

Le verrouillage se desserre, lorsque vous tournez la douille avant dans le sens inverse pour enlever l'outil (2).

Mandrin à clé (voir figure C)

- **Portez des gants de protection lors d'un changement d'accessoire.** En cas de travaux assez longs, le mandrin de perçage risque de s'échauffer fortement.

Ouvrez le mandrin à clé (13) en le tournant jusqu'à pouvoir insérer l'accessoire. Insérez l'accessoire de travail.

Introduisez la clé de mandrin (12) successivement dans tous les orifices du mandrin à clé (13) et serrez l'accessoire de manière uniforme.

Accessoires de vissage (voir figure D)

Lors de utilisation d'embouts de vissage (15) vous devez toujours utiliser un porte-embout universel (14). Choisissez l'embout de vissage qui correspond exactement à l'empreinte de la tête de vis.

Pour visser, mettez toujours le sélecteur « Perçage/Perçage à percussion » (4) sur le symbole « Perçage ».

Changement de mandrin

- **Débranchez le câble d'alimentation de la prise avant d'effectuer des travaux quels qu'il soient sur l'outil électroportatif.**

Retrait du mandrin (voir figure E)

Pour démonter le mandrin automatique (1), insérez une clé mâle pour vis à six pans creux (16) dans le mandrin automatique (1) et placez une clé plate (17) (14 mm) sur le méplat de la broche d'entraînement.

Posez l'outil électroportatif sur un support stable, par ex. un établi.

Maintenez la clé plate (17) et desserrez le mandrin automatique (1) en tournant la clé mâle pour vis à six pans creux (16) dans le sens ⚙️. Si le mandrin automatique est grippé, donnez un petit coup sur la branche longue de la clé mâle pour vis à six pans creux (16) pour le débloquer.

Retirez la clé mâle pour vis à six pans creux et dévissez complètement le mandrin automatique.

Le démontage du mandrin à clé (13) s'effectue de la même manière que pour le mandrin automatique.

Montage d'un mandrin (voir figure F)

Le montage du mandrin automatique / mandrin automatique avec anneau de retenue / mandrin à clé s'effectue en procédant dans l'ordre inverse.



Le mandrin doit être serré avec un couple de serrage d'environ 33–39 Nm.

Aspiration de poussières/de copeaux

Les poussières de matériaux tels que peintures contenant du plomb, certains bois, minéraux ou métaux, peuvent être nuisibles à la santé. Entrer en contact ou aspirer les poussières peut entraîner des réactions allergiques et/ou des maladies respiratoires auprès de l'utilisateur ou de personnes se trouvant à proximité.

Certaines poussières telles que les poussières de chêne ou de hêtre sont considérées comme cancérigènes, surtout en association avec des additifs pour le traitement du bois (chromate, lazure). Les matériaux contenant de l'amiante ne doivent être travaillés que par des personnes qualifiées.

- Veuillez à bien aérer la zone de travail.

- Il est recommandé de porter un masque respiratoire avec un niveau de filtration de classe P2.

Respectez les règlements spécifiques aux matériaux à traiter en vigueur dans votre pays.

- ▶ **Évitez toute accumulation de poussières sur le lieu de travail.** Les poussières peuvent facilement s'enflammer.

Mise en marche

Mise en marche

- ▶ **Tenez compte de la tension du réseau ! La tension de la source de courant doit correspondre aux indications se trouvant sur la plaque signalétique de l'outil électroportatif. Les outils électroportatifs marqués 230 V peuvent également fonctionner sur 220 V.**

Sélection du sens de rotation (voir figure G-H) (GSB 13 RE / GSB 16 RE)

- ▶ **N'actionnez le sélecteur de sens de rotation (5) que quand l'outil électroportatif est à l'arrêt.**

Le sélecteur de sens de rotation (5) permet d'inverser le sens de rotation de l'outil électroportatif. Cela n'est toutefois pas possible lorsqu'on appuie sur l'interrupteur Marche/Arrêt (7).

Rotation droite : Pour percer et serrer des vis, poussez simultanément le sélecteur de sens de rotation (5) de gauche vers le haut et celui de droite vers le bas.

Rotation gauche : Pour desserrer ou dévisser des vis et des écrous, poussez simultanément le sélecteur de sens de rotation (5) de gauche vers le bas et celui de droite vers le haut.

Sélection du mode de fonctionnement



Vissage et perçage

Positionnez le commutateur (4) sur le symbole « Perçage ».



Perçage à percussion

Positionnez le commutateur (4) sur le symbole « Perçage à percussion ».

Le commutateur (4) s'encliquette de façon perceptible et peut être actionné même pendant que le moteur est en marche.

Mise en marche/arrêt

Pour **mettre en marche** l'outil électroportatif, actionnez l'interrupteur Marche/Arrêt (7) et maintenez-le actionné.

Pour **bloquer** l'interrupteur marche/arrêt (7), appuyez en même temps sur la touche de blocage (6).

Pour **arrêter** l'outil électroportatif, relâchez l'interrupteur marche/arrêt (7) et, s'il est bloqué avec le bouton de blocage (6), appuyez brièvement sur l'interrupteur marche/arrêt (7) puis relâchez-le.

Réglage de la vitesse de rotation/fréquence de frappe (GSB 13 RE/GSB 16 RE)

Vous pouvez faire varier en continu la vitesse de rotation / la fréquence de frappe de l'outil électroportatif en jouant sur la pression exercée sur l'interrupteur Marche/Arrêt (7).

Légère pression sur l'interrupteur Marche/Arrêt (7) = faible vitesse de rotation/fréquence de frappe. Plus la pression augmente, plus la vitesse de rotation/la fréquence de frappe est élevée.

Présélection de la vitesse de rotation/de la fréquence de frappe (GSB 16 RE)

La molette de présélection de vitesse (8) permet de présélectionner la vitesse/la fréquence de frappe requise, même durant l'utilisation de l'outil.

La vitesse de rotation/la fréquence de frappe requise dépend du type de matériau et des conditions de travail. Elle doit être déterminée lors d'essais pratiques.

Instructions d'utilisation

- ▶ **Débranchez le câble d'alimentation de la prise avant d'effectuer des travaux quels qu'il soient sur l'outil électroportatif.**
- ▶ **Positionnez l'outil électroportatif sur la vis/sur l'écrou seulement lorsqu'il est à l'arrêt.** Un accessoire en rotation risque de glisser.

Après avoir travaillé à une petite vitesse pendant une période relativement longue, faites tourner l'outil électroportatif à vide au régime maximal pendant une durée de 3 minutes environ afin de le laisser refroidir.

Pour percer dans du carrelage/de la faïence, positionnez le sélecteur (4) sur le symbole « Perçage ». Une fois le carreau percé, positionnez le sélecteur sur le symbole « Perçage à percussion » et travaillez avec la percussion.

Pour les travaux de perçage dans le béton, la pierre et la maçonnerie, utilisez des forets au carbure.

Lorsque vous percez du métal, n'utilisez que des forets HSS (HSS=acier à coupe rapide haute performance) sans défauts et affûtés. La gamme d'accessoires **Bosch** vous assure la qualité nécessaire.

L'affûteur de forets (accessoire) permet d'affûter facilement les forets hélicoïdaux d'un diamètre de 2,5–10 mm.

Entretien et Service après-vente

Nettoyage et entretien

- ▶ **Débranchez le câble d'alimentation de la prise avant d'effectuer des travaux quels qu'il soient sur l'outil électroportatif.**
- ▶ **Tenez toujours propres l'outil électroportatif ainsi que les fentes de ventilation afin d'obtenir un travail impeccable et sûr.**

Dans le cas où il s'avère nécessaire de remplacer le câble d'alimentation, confiez le remplacement à **Bosch** ou une station de Service Après-Vente agréée pour outillage **Bosch** afin de ne pas compromettre la sécurité.

Service après-vente et conseil utilisateurs

Notre Service après-vente répond à vos questions concernant la réparation et l'entretien de votre produit et les pièces de rechange. Vous trouverez des vues éclatées et des infor-

mations sur les pièces de rechange sur le site : www.bosch-pt.com

L'équipe de conseil utilisateurs Bosch se tient à votre disposition pour répondre à vos questions concernant nos produits et leurs accessoires.

Pour toute demande de renseignement ou toute commande de pièces de rechange, précisez impérativement la référence à 10 chiffres figurant sur l'étiquette signalétique du produit.

Maroc

Robert Bosch Morocco SARL
53, Rue Lieutenant Mahroud Mohamed
20300 Casablanca
Tel.: +212 5 29 31 43 27
E-Mail : sav.outillage@ma.bosch.com

Vous trouverez d'autres adresses du service après-vente sous :

www.bosch-pt.com/serviceaddresses

Élimination des déchets

Les outils électroportatifs, ainsi que leurs accessoires et emballages, doivent pouvoir suivre chacun une voie de recyclage appropriée.



Ne jetez pas les outils électroportatifs avec les ordures ménagères !



Português

Instruções de segurança

Instruções gerais de segurança para ferramentas eléctricas

AVISO

Devem ser lidas todas as indicações de segurança,

instruções, ilustrações e especificações desta ferramenta eléctrica. O desrespeito das instruções apresentadas abaixo poderá resultar em choque eléctrico, incêndio e/ou ferimentos graves.

Guarde bem todas as advertências e instruções para futura referência.

O termo "ferramenta eléctrica" utilizado a seguir nas indicações de advertência, refere-se a ferramentas eléctricas operadas com corrente de rede (com cabo de rede) e a ferramentas eléctricas operadas com acumulador (sem cabo de rede).

Segurança da área de trabalho

- ▶ **Mantenha a sua área de trabalho sempre limpa e bem iluminada.** Desordem ou áreas de trabalho insuficientemente iluminadas podem levar a acidentes.

- ▶ **Não trabalhar com a ferramenta eléctrica em áreas com risco de explosão, nas quais se encontrem líquidos, gases ou pós inflamáveis.** Ferramentas eléctricas produzem faíscas, que podem inflamar pós ou vapores.
- ▶ **Manter crianças e outras pessoas afastadas da ferramenta eléctrica durante a utilização.** No caso de distração é possível que perca o controlo sobre o aparelho.

Segurança eléctrica

- ▶ **A ficha de conexão da ferramenta eléctrica deve caber na tomada. A ficha não deve ser modificada de maneira alguma. Não utilizar uma ficha de adaptação junto com ferramentas eléctricas protegidas por ligação à terra.** Fichas não modificadas e tomadas apropriadas reduzem o risco de um choque eléctrico.
- ▶ **Evitar que o corpo possa entrar em contacto com superfícies ligadas à terra, como tubos, aquecimentos, fogões e frigoríficos.** Há um risco elevado devido a choque eléctrico, se o corpo estiver ligado à terra.
- ▶ **Manter o aparelho afastado de chuva ou humidade.** A infiltração de água numa ferramenta eléctrica aumenta o risco de choque eléctrico.
- ▶ **Não deverá utilizar o cabo para outras finalidades. Nunca utilizar o cabo para transportar a ferramenta eléctrica, para pendurá-la, nem para puxar a ficha da tomada. Manter o cabo afastado do calor, do óleo, de arestas afiadas ou de peças em movimento.** Cabos danificados ou emaranhados aumentam o risco de um choque eléctrico.
- ▶ **Se trabalhar com uma ferramenta eléctrica ao ar livre, só deverá utilizar cabos de extensão apropriados para áreas exteriores.** A utilização de um cabo de extensão apropriado para áreas exteriores reduz o risco de um choque eléctrico.
- ▶ **Se não for possível evitar o funcionamento da ferramenta eléctrica em áreas húmidas, deverá ser utilizado um disjuntor de corrente de avaria.** A utilização de um disjuntor de corrente de avaria reduz o risco de um choque eléctrico.

Segurança de pessoas

- ▶ **Esteja atento, observe o que está a fazer e tenha prudência ao trabalhar com a ferramenta eléctrica. Não utilizar uma ferramenta eléctrica quando estiver fatigado ou sob a influência de drogas, álcool ou medicamentos.** Um momento de descuido ao utilizar a ferramenta eléctrica, pode levar a lesões graves.
- ▶ **Utilizar equipamento de protecção individual. Utilizar sempre óculos de protecção.** A utilização de equipamento de protecção pessoal, como máscara de protecção contra pó, sapatos de segurança antiderrapantes, capacete de segurança ou protecção auricular, de acordo com o tipo e aplicação da ferramenta eléctrica, reduz o risco de lesões.

- ▶ **Evitar uma colocação em funcionamento involuntária. Assegure-se de que a ferramenta eléctrica esteja desligada, antes de conectá-la à alimentação de rede e/ou ao acumulador, antes de levantá-la ou de transportá-la.** Se tiver o dedo no interruptor ao transportar a ferramenta eléctrica ou se o aparelho for conectado à alimentação de rede enquanto estiver ligado, poderão ocorrer acidentes.
- ▶ **Remover ferramentas de ajuste ou chaves de boca antes de ligar a ferramenta eléctrica.** Uma ferramenta ou chave que se encontre numa parte do aparelho em movimento pode levar a lesões.
- ▶ **Evite uma posição anormal. Mantenha uma posição firme e mantenha sempre o equilíbrio.** Desta forma é mais fácil controlar a ferramenta eléctrica em situações inesperadas.
- ▶ **Usar roupa apropriada. Não usar roupa larga nem jóias. Mantenha os cabelos e roupas afastados de peças em movimento.** Roupas frouxas, cabelos longos ou jóias podem ser agarrados por peças em movimento.
- ▶ **Se for possível montar dispositivos de aspiração ou de recolha, assegure-se de que estejam conectados e utilizados correctamente.** A utilização de uma aspiração de pó pode reduzir o perigo devido ao pó.
- ▶ **Não deixe que a familiaridade resultante de uma utilização frequente de ferramentas permita que você se torne complacente e ignore os princípios de segurança da ferramenta.** Uma acção descuidada pode causar ferimentos graves numa fracção de segundo.

Utilização e manuseio cuidadoso de ferramentas eléctricas

- ▶ **Não sobrecarregue a ferramenta eléctrica. Utilize a ferramenta eléctrica apropriada para o seu trabalho.** É melhor e mais seguro trabalhar com a ferramenta eléctrica apropriada na área de potência indicada.
- ▶ **Não utilizar uma ferramenta eléctrica com um interruptor defeituoso.** Uma ferramenta eléctrica que não pode mais ser ligada nem desligada, é perigosa e deve ser reparada.
- ▶ **Puxar a ficha da tomada e/ou remover o acumulador, se amovível, antes de executar ajustes na ferramenta eléctrica, de substituir acessórios ou de guardar as ferramentas eléctricas.** Esta medida de segurança evita o arranque involuntário da ferramenta eléctrica.
- ▶ **Guardar ferramentas eléctricas não utilizadas fora do alcance de crianças e não permitir que as pessoas que não estejam familiarizadas com o aparelho ou que não tenham lido estas instruções utilizem o aparelho.** Ferramentas eléctricas são perigosas se forem utilizadas por pessoas inexperientes.
- ▶ **Tratar a ferramenta eléctrica e os acessórios com cuidado. Controlar se as partes móveis do aparelho funcionam perfeitamente e não emperram, e se há peças quebradas ou danificadas que possam prejudicar o funcionamento da ferramenta eléctrica. Permitir que peças danificadas sejam reparadas antes**

da utilização. Muitos acidentes têm como causa, a manutenção insuficiente de ferramentas eléctricas.

- ▶ **Manter as ferramentas de corte afiadas e limpas.** Ferramentas de corte cuidadosamente tratadas e com cantos de corte afiados emperram com menos frequência e podem ser conduzidas com maior facilidade.
- ▶ **Utilizar a ferramenta eléctrica, acessórios, ferramentas de aplicação, etc. conforme estas instruções. Considerar as condições de trabalho e a tarefa a ser executada.** A utilização de ferramentas eléctricas para outras tarefas a não ser as aplicações previstas, pode levar a situações perigosas.
- ▶ **Mantenha os punhos e as superfícies de agarrar secas, limpas e livres de óleo e massa consistente.** Punhos e superfícies de agarrar escorregadias não permitem o manuseio e controle seguros da ferramenta em situações inesperadas.

Serviço

- ▶ **Só permita que o seu aparelho seja reparado por pessoal especializado e qualificado e só com peças de reposição originais.** Desta forma é assegurado o funcionamento seguro do aparelho.

Indicações de segurança para berbequins

Instruções de segurança para todas as operações

- ▶ **Use protetores auditivos ao perfurar com impacto.** A exposição ao ruído pode provocar a perda da audição.
- ▶ **Use o(s) punho(s) auxiliar(es).** A perda de controlo pode resultar em ferimentos pessoais.
- ▶ **Segure a ferramenta eléctrica nas superfícies de agarrar isoladas, ao executar uma operação onde o acessório de corte ou os elementos de fixação possam entrar em contacto com cabos escondidos ou com o próprio cabo.** Se o acessório de corte ou os elementos de fixação entrarem em contacto com um cabo "sob tensão", as partes metálicas expostas da ferramenta eléctrica ficam "sob tensão" e podem produzir um choque eléctrico.

Instruções de segurança ao usar brocas longas

- ▶ **Nunca opere a uma velocidade maior do que a velocidade máxima da broca.** A velocidades mais altas, a broca pode dobrar-se ao rodar livremente sem entrar em contacto com a peça de trabalho, causando ferimento pessoal.
- ▶ **Comece sempre a perfurar a baixa velocidade e com a ponta da broca em contato com a peça de trabalho.** A velocidades mais altas, a broca pode dobrar-se ao rodar livremente sem entrar em contacto com a peça de trabalho, causando ferimento pessoal.
- ▶ **Aplique pressão apenas em linha direta com a broca e não aplique pressão excessiva.** As brocas podem dobrar-se, causando rutura ou perda de controlo, ou mesmo ferimento pessoal.

Instruções de segurança adicionais

- ▶ **Desligue a ferramenta de imediato se a ferramenta de trabalho encravar. Esteja atento aos binários de reação que podem dar origem a contragolpes.** O acessório acoplável fica encravado se a ferramenta elétrica for sobrecarregada ou se ficar emperrada na peça a ser trabalhada.
- ▶ **Segure bem a ferramenta elétrica.** Ao apertar e soltar parafusos podem ocorrer temporariamente elevados momentos de reação.
- ▶ **Fixar a peça a ser trabalhada.** Uma peça a ser trabalhada fixa com dispositivos de aperto ou com tornos de bancada está mais firme do que segurada com a mão.
- ▶ **Utilizar detetores apropriados, para encontrar cabos escondidos, ou consulte a companhia elétrica local.** O contacto com cabos elétricos pode provocar fogo e choques elétricos. Danos em tubos de gás podem levar à explosão. A penetração num cano de água causa danos materiais ou pode provocar um choque elétrico.
- ▶ **Esperre que a ferramenta elétrica pare completamente, antes de depositá-la.** A ferramenta de aplicação pode emperrar e levar à perda de controlo sobre a ferramenta elétrica.

Descrição do produto e do serviço

Leia todas as instruções de segurança e instruções. A inobservância das instruções de segurança e das instruções pode causar choque elétrico, incêndio e/ou ferimentos graves.

Respeite as figuras na parte da frente do manual de instruções.

Utilização adequada

A ferramenta elétrica é destinada para furar com percussão em tijolos, betão e pedra, assim como furar madeira, metal e

plástico. As ferramentas com regulação eletrónica e rotação à direita/esquerda também são apropriadas para aparafusar e abrir roscas.

Componentes ilustrados

A numeração dos componentes ilustrados refere-se à apresentação da ferramenta elétrica na página de esquemas.

- (1) Bucha de aperto rápido^{A)}
- (2) Bucha dianteira
- (3) Bucha traseira
- (4) Comutador "Furar/furar com percussão"
- (5) Comutador do sentido de rotação (GSB 13 RE/ GSB 16 RE)
- (6) Tecla de fixação para o interruptor de ligar/desligar
- (7) Interruptor de ligar/desligar
- (8) Roda de pré-seleção da velocidade de rotação (GSB 16 RE)
- (9) Punho adicional (superfície do punho isolada)^{A)}
- (10) Batente de profundidade^{A)}
- (11) Punho (superfície do punho isolada)
- (12) Chave de buchas^{A)}
- (13) Bucha de coroa dentada^{A)}
- (14) Porta-bits universal^{A)}
- (15) Bit de aparafusamento^{A)}
- (16) Chave sextavada interior^{A)B)}
- (17) Chave de bocas^{A)B)}

A) **Acessórios apresentados ou descritos não pertencem ao volume de fornecimento padrão. Todos os acessórios encontram-se no nosso programa de acessórios.**

B) **convencional (não faz parte do material a fornecer)**

Dados técnicos

| Berbequim de percussão | | GSB 13 | GSB 13 RE | GSB 16 | GSB 16 RE |
|----------------------------------|-------------------|----------------------|----------------------|----------------------|----------------------|
| Número de produto | | 3 601 B27 0.. | 3 601 B27 1.. | 3 601 B28 0.. | 3 601 B28 1.. |
| Potência nominal absorvida | W | 650 | 650 | 750 | 750 |
| Potência útil | W | 353 | 353 | 456 | 456 |
| N.º de rotações em vazio | r.p.m. | 3 150 | 3 150 | 3 250 | 3 250 |
| N.º de impactos | min ⁻¹ | 47 000 | 47 000 | 48 500 | 48 500 |
| Binário nominal | Nm | 1,8 | 1,8 | 2,1 | 2,1 |
| Pré-seleção do número de rotação | | – | – | – | ● |
| Rotação à direita/esquerda | | – | ● | – | ● |
| Diâmetro da gola do veio | mm | 43 | 43 | 43 | 43 |
| Ø máx. de perfuração | | | | | |
| – Betão | mm | 13 | 13 | 16 | 16 |

| Berbequim de percussão | | GSB 13 | GSB 13 RE | GSB 16 | GSB 16 RE |
|--------------------------------------|----|--------|-----------|--------|-----------|
| - Aço | mm | 10 | 10 | 12 | 12 |
| - Madeira | mm | 20 | 20 | 25 | 25 |
| Faixa de aperto da bucha | mm | 1,5-13 | 1,5-13 | 1,5-13 | 1,5-13 |
| Peso conforme EPTA-Procedure 01:2014 | kg | 1,6 | 1,6 | 1,8 | 1,8 |
| Classe de proteção | | □/II | □/II | □/II | □/II |

Os dados aplicam-se a uma tensão nominal [U] de 230 V. Com tensões divergentes e em versões específicas do país, estes dados podem variar.

Informação sobre ruídos/vibrações

Os valores de emissão de ruído foram determinados de acordo com **EN 62841 2-1**.

O nível sonoro avaliado como A da ferramenta elétrica é normalmente de: nível de pressão sonora **100 dB(A)**; nível de potência sonora **111 dB(A)**. Incerteza K = **5 dB**.

Utilizar proteção auditiva!

Valores totais de vibração a_h (suma dos vetores das três direções) e incerteza K determinada segundo

EN 62841 2-1:

GSB 13/GSB 13 RE

Furar metal: $a_h = 3,0 \text{ m/s}^2$, K = **1,5** m/s^2

Furar com percussão em betão: $a_h = 14,0 \text{ m/s}^2$, K = **1,5** m/s^2

GSB 16/GSB 16 RE

Furar metal: $a_h = 4,5 \text{ m/s}^2$, K = **1,5** m/s^2

Furar com percussão em betão: $a_h = 13,0 \text{ m/s}^2$, K = **1,5** m/s^2

O nível de vibrações indicado nestas instruções e o valor de emissões sonoras foram medidos de acordo com um processo de medição normalizado e podem ser utilizados para a comparação de ferramentas elétricas. Também são adequados para uma avaliação provisória das emissões sonoras e de vibrações.

O nível de vibrações indicado e o valor de emissões sonoras representam as aplicações principais da ferramenta elétrica. Se a ferramenta elétrica for utilizada para outras aplicações, com outras ferramentas de trabalho ou com manutenção insuficiente, é possível que o nível de vibrações e de emissões sonoras seja diferente. Isto pode aumentar sensivelmente a emissão sonora e de vibrações para o período completo de trabalho.

Para uma estimativa exata da emissão sonora e de vibrações, também deveriam ser considerados os períodos nos quais o aparelho está desligado ou funciona, mas não está sendo utilizado. Isto pode reduzir a emissão sonora e de vibrações durante o completo período de trabalho.

Além disso também deverão ser estipuladas medidas de segurança para proteger o operador contra o efeito de vibrações, como por exemplo: manutenção de ferramentas elétricas e acessórios, manter as mãos quentes e organização dos processos de trabalho.

Montagem

- ▶ **Antes de todos trabalhos na ferramenta elétrica deverá puxar a ficha de rede da tomada.**

Punho adicional (ver figura A)

- ▶ **Utilize a ferramenta elétrica apenas com o punho adicional (9).**

Pode oscilar o punho adicional (9) para conseguir uma posição de trabalho segura e sem esforço.

Rode a peça de punho inferior do punho adicional (9) para a esquerda e coloque o batente de profundidade (10).

Puxe o batente de profundidade para fora até a distância entre a ponta da broca e a ponta do batente de profundidade corresponder à profundidade de perfuração X desejada.

A seguir, volte a apertar a peça de punho inferior do punho adicional (9) para a direita.

As estrias no batente de profundidade (10) têm de ficar viradas para cima.

Troca de ferramenta

Bucha de aperto rápido (ver figura B)

Segure na bucha traseira (3) da bucha de aperto rápido (1) e rode a bucha dianteira (2) no sentido de rotação ① até a ferramenta poder ser inserida. Introduzir a ferramenta.

Segure na bucha traseira (3) da bucha de aperto rápido (1) e aperte bem à mão a bucha dianteira (2) no sentido de rotação ② até que deixe de se ouvir o som de aperto. A bucha fica assim automaticamente bloqueada.

O bloqueio solta-se novamente se, para retirar a ferramenta, rodar a bucha dianteira (2) no sentido contrário.

Bucha de coroa dentada (ver figura C)

- ▶ **Use luvas de proteção ao trocar de ferramenta.** A bucha pode aquecer muito durante trabalhos prolongados.

Abra a bucha de coroa dentada (13) rodando até a ferramenta poder ser inserida. Introduzir a ferramenta.

Insira a chave de buchas (12) nos respetivos orifícios da bucha de coroa dentada (13) e aperte a ferramenta uniformemente.

Ferramenta de aparafusamento (ver figura D)

Ao utilizar bits de aparafusamento (15) deve utilizar sempre um porta-bits universal (14). Só utilizar bits de aparafusamento apropriados para o cabeçote de aparafusamento.

Para aparafusar, coloque o comutador "Furar/furar com percussão" (4) sempre no símbolo "Furar com percussão".

Trocar a bucha

- ▶ **Antes de todos trabalhos na ferramenta elétrica deverá puxar a ficha de rede da tomada.**

Desmontar a bucha (ver figura E)

Para desmontar a bucha de aperto rápido (1) tensione a chave sextavada interior (16) na bucha de aperto rápido (1) e coloque a chave de bocas (17) (tam. 14) na superfície de chave do veio de acionamento.

Coloque a ferramenta elétrica sobre uma base estável, p. ex. uma bancada de trabalho.

Segure a chave de bocas (17) e solte a bucha de aperto rápido (1) rodando a chave sextavada interior (16) no sentido ⚙️. Uma bucha de aperto rápido emperrada poder ser solta através de um leve batimento na bainha comprida da chave sextavada interior (16).

Retire a chave sextavada interior da bucha de aperto rápido e desaperte a bucha de aperto rápido por completo.

A desmontagem da bucha de coroa dentada (13) ocorre da mesma forma descrita para a bucha de aperto rápido.

Montar a bucha (ver figura F)

A montagem da bucha de aperto rápido/bucha de aperto rápido com anel de segurança/bucha de coroa dentada é feita pela ordem inversa.



A bucha tem de ser bem apertada com um binário de aperto de aprox. 33–39 Nm.

Aspiração de pó/de aparas

Pós de materiais como por exemplo, tintas que contém chumbo, alguns tipos de madeira, minerais e metais, podem ser nocivos à saúde. O contacto ou a inalação dos pós pode provocar reações alérgicas e/ou doenças nas vias respiratórias do utilizador ou das pessoas que se encontrem por perto.

Certos pós, como por exemplo pó de carvalho e faia são considerados como sendo cancerígenos, especialmente quando juntos com substâncias para o tratamento de madeiras (cromato, preservadores de madeira). Material que contém asbesto só deve ser processado por pessoal especializado.

- Assegurar uma boa ventilação do local de trabalho.
- É recomendável usar uma máscara de proteção respiratória com filtro da classe P2.

Observe as diretivas para os materiais a serem processados, vigentes no seu país.

- ▶ **Evite a acumulação de pó no local de trabalho.** Pós podem entrar levemente em ignição.

Funcionamento

Colocação em funcionamento

- ▶ **Observar a tensão de rede! A tensão da fonte de corrente elétrica deve coincidir com os dados que constam na placa de características da ferramenta**

elétrica. Ferramentas elétricas marcadas para 230 V também podem ser operadas com 220 V.

Ajustar o sentido de rotação (ver figura G–H) (GSB 13 RE / GSB 16 RE)

- ▶ **Acione o comutador do sentido de rotação (5) apenas com a ferramenta elétrica parada.**

Com o comutador de sentido de rotação (5) é possível alterar o sentido de rotação da ferramenta elétrica. Com o interruptor de ligar/desligar pressionado (7) isto no entanto não é possível.

Rotação à direita: Para furar e apertar parafusos prima o comutador do sentido de rotação (5) no lado esquerdo para cima e em simultâneo no lado direito para baixo.

Rotação à esquerda: Para soltar ou retirar parafusos e porcas prima o comutador do sentido de rotação (5) no lado esquerdo para baixo e em simultâneo no lado direito para cima.

Ajustar o modo de operação



Furar e aparafusar

Coloque o comutador (4) no símbolo "Furar".



Furar com percussão

Coloque o comutador (4) no símbolo "Furar com percussão".

O comutador (4) engata de forma perceptível e pode ser acionado mesmo com o motor a trabalhar.

Ligar/desligar

Para a **colocação em funcionamento** da ferramenta elétrica deverá pressionar o interruptor de ligar/desligar (7) e mantenha-o pressionado.

Para **fixar** o interruptor de ligar/desligar (7) pressionado, prima o botão de fixação (6).

Para **desligar** ferramenta elétrica liberte o interruptor de ligar/desligar (7) ou, se este estiver bloqueado com o botão de fixação (6), pressione o interruptor de ligar/desligar (7) brevemente e depois liberte-o.

Ajustar o número de rotações/impactos (GSB 13 RE/ GSB 16 RE)

Pode regular o número de rotações/impactos da ferramenta elétrica ligada de forma contínua, consoante a pressão que faz no interruptor de ligar/desligar (7).

Uma leve pressão sobre o interruptor de ligar/desligar (7) proporciona um número de rotações/impactos baixo. Aumentando a pressão, é aumentado o n.º de rotações/impactos.

Pré-seleção do número de rotações/impactos (GSB 16 RE)

Com a roda de pré-seleção da velocidade de rotação (8) pode pré-selecionar o número de rotações/número de impactos necessário mesmo durante a operação.

O número de rotações/impactos necessário depende do material e das condições de trabalho e pode ser determinado por tentativas.

Instruções de trabalho

▶ **Antes de todos trabalhos na ferramenta elétrica deverá puxar a ficha de rede da tomada.**

▶ **Utilizar os punhos adicionais fornecidos com a ferramenta elétrica.** A perda de controle sobre a ferramenta elétrica pode levar a lesões.

Após um longo período de tempo a trabalhar com um número de rotações reduzido, deve deixar a ferramenta elétrica a funcionar aprox. 3 minutos com o número de rotações máximo em vazio para a arrefecer.

Para perfurar ladrilhos, coloque o comutador (4) no símbolo "Furar". Depois de perfurar o ladrilho, coloque o comutador no símbolo "Furar com percussão" e trabalhe com percussão.

Para trabalhos em betão, pedra e muramentos devem ser utilizadas brocas de metal duro.

Ao furar metal utilize apenas brocas HSS afiadas e sem problemas (HSS= aço de corte rápido de alto rendimento). O programa de acessórios **Bosch** garante a qualidade adequada.

Com o dispositivo de afiar brocas (acessórios) pode afiar brocas helicoidais com um diâmetro de 2,5–10 mm sem o mínimo esforço.

Manutenção e assistência técnica

Manutenção e limpeza

▶ **Antes de todos trabalhos na ferramenta elétrica deverá puxar a ficha de rede da tomada.**

▶ **Manter a ferramenta elétrica e as aberturas de ventilação sempre limpas, para trabalhar bem e de forma segura.**

Se for necessário instalar um cabo de ligação, a instalação deve ser feita pela **Bosch** ou por um centro de serviço autorizado para ferramentas elétricas **Bosch**, para evitar perigos de segurança.

Serviço pós-venda e aconselhamento

O serviço pós-venda responde às suas perguntas a respeito de serviços de reparação e de manutenção do seu produto, assim como das peças sobressalentes. Desenhos explodidos e informações acerca das peças sobressalentes também em: www.bosch-pt.com

A nossa equipa de consultores Bosch esclarece com prazer todas as suas dúvidas a respeito dos nossos produtos e acessórios.

Indique para todas as questões e encomendas de peças sobressalentes a referência de 10 dígitos de acordo com a placa de características do produto.

Brasil

Robert Bosch Ltda. – Divisão de Ferramentas Elétricas
Rodovia Anhanguera, Km 98 - Parque Via Norte
13065-900, CP 1195
Campinas, São Paulo

Tel.: 0800 7045 446
www.bosch.com.br/contato

Encontra outros endereços da assistência técnica em:

www.bosch-pt.com/serviceaddresses

Eliminação

Ferramentas elétricas, acessórios e embalagens devem ser enviados a uma reciclagem ecológica de matérias-primas.



Não deitar ferramentas elétricas no lixo doméstico!

中文

安全规章

电动工具通用安全警告

警告！ 阅读随电动工具提供的所有安全警告、说明、图示和规定。不遵照以下所列说明会导致电击、着火和/或严重伤害。

保存所有警告和说明书以备查阅。

警告中的术语“电动工具”是指市电驱动（有线）电动工具或电池驱动（无线）电动工具。

工作场地的安全

- ▶ **保持工作场地清洁和明亮。** 杂乱和黑暗的场地会引发事故。
- ▶ **不要在易爆环境，如有易燃液体、气体或粉尘的环境下操作电动工具。** 电动工具产生的火花会点燃粉尘或气体。
- ▶ **操作电动工具时，远离儿童和旁观者。** 注意力不集中会使你失去对工具的控制。

电气安全

- ▶ **电动工具插头必须与插座相配。** 绝不能以任何方式改装插头。需接地的电动工具不能使用任何转换插头。未经改装的插头和相配的插座将降低电击风险。
- ▶ **避免人体接触接地表面，如管道、散热片和冰箱。** 如果你身体接触接地表面会增加电击风险。
- ▶ **不得将电动工具暴露在雨中或潮湿环境中。** 水进入电动工具将增加电击风险。
- ▶ **不得滥用软线。** 绝不能用软线搬运、拉动电动工具或拔出其插头。使软线远离热源、油、锐边或运动部件。受损或缠绕的软线会增加电击风险。
- ▶ **当在户外使用电动工具时，使用适合户外使用的延长线。** 适合户外使用的电线将降低电击风险。
- ▶ **如果无法避免在潮湿的环境中操作电动工具，应使用带有剩余电流装置（RCD）保护的电源。** RCD的使用可降低电击风险。

人身安全

- ▶ **保持警觉，当操作电动工具时关注所从事的操作并保持清醒。当你感到疲倦，或在有药物、酒精或治疗反应时，不要操作电动工具。**在操作电动工具时瞬间的疏忽会导致严重人身伤害。
- ▶ **使用个人防护装置。始终佩戴护目镜。**防护装置，诸如适当条件下使用防尘面具、防滑安全鞋、安全帽、听力防护等装置能减少人身伤害。
- ▶ **防止意外启动。在连接电源和/或电池包、拿起或搬运工具前确保开关处于关断位置。**手指放在开关上搬运工具或开关处于接通时通电会导致危险。
- ▶ **在电动工具接通之前，拿掉所有调节钥匙或扳手。**遗留在电动工具旋转零件上的扳手或钥匙会导致人身伤害。
- ▶ **手不要过分伸展。时刻注意立足点和身体平衡。**这样能在意外情况下能更好地控制住电动工具。
- ▶ **着装适当。不要穿宽松衣服或佩戴饰品。**让你的头发和衣服远离运动部件。宽松衣服、佩饰或长发可能会卷入运动部件。
- ▶ **如果提供了与排屑、集尘设备连接用的装置，要确保其连接完好且使用得当。**使用集尘装置可降低尘屑引起的危险。
- ▶ **不要因为频繁使用工具而产生的熟悉感而掉以轻心，忽视工具的安全准则。**某个粗心的动作可能在瞬间导致严重的伤害。

电动工具使用和注意事项

- ▶ **不要勉强使用电动工具，根据用途使用合适的电动工具。**选用合适的按照额定值设计的电动工具会使你工作更有效、更安全。
- ▶ **如果开关不能接通或关断电源，则不能使用该电动工具。**不能通过开关来控制的电动工具是危险的且必须进行修理。
- ▶ **在进行任何调节、更换附件或贮存电动工具之前，必须从电源上拔掉插头和/或卸下电池包（如可拆卸）。**这种防护性的安全措施降低了电动工具意外启动的风险。
- ▶ **将闲置不用的电动工具贮存在儿童所及范围之外，并且不允许不熟悉电动工具和不了解这些说明的人操作电动工具。**电动工具在未经培训的使用者手中是危险的。
- ▶ **维护电动工具及其附件。**检查运动部件是否调整到位或卡住，检查零件破损情况和影响电动工具运行的其他状况。如有损坏，应在使用前修理好电动工具。许多事故是由维护不良的电动工具引发的。
- ▶ **保持切削刀具锋利和清洁。**维护良好地有锋利切削刃的刀具不易卡住而且容易控制。
- ▶ **按照使用说明书，并考虑作业条件和要进行的作业来选择电动工具、附件和工具的刀头等。**将电动工具用于那些与其用途不符的操作可能会导致危险情况。
- ▶ **保持手柄和握持表面干燥、清洁，不得沾有油脂。**在意外的情况下，湿滑的手柄不能保证握持的安全和对工具的控制。

维修

- ▶ **由专业维修人员使用相同的备件维修电动工具。**这将保证所维修的电动工具的安全。

电钻安全警告

适用于全部操作的安全说明

- ▶ **带耳罩进行冲击作业。**暴露于噪声环境会导致失聪。
- ▶ **使用辅助手柄。**失控会造成人身伤害。
- ▶ **当在钻削附件可能触及暗线或其自身导线的场合进行操作时，要通过绝缘握持面握持工具。**钻削附件碰到带电导线会使工具外露的金属零件带电从而使操作者受到电击。

当使用长钻头时的安全说明

- ▶ **操作时切勿超出钻头的最大额定转速。**在较高转速下，如果让钻头在不接触工件的情况下随意旋转，很可能导致其弯折，从而引发人身伤害。
- ▶ **务必以低转速开始钻孔，并让钻头尖端与工件接触。**在较高转速下，如果让钻头在不接触工件的情况下随意旋转，很可能导致其弯折，从而引发人身伤害。
- ▶ **施压时务必与钻头成一直线，且不得施加过大压力。**若钻头弯折会导致其损坏或失控，从而引发人身伤害。

其它安全规章

- ▶ **当工具刀头被夹住时，请立即关闭电动工具。以防反作用力矩导致反弹。**当电动工具过载或向待加工工件倾斜时，工具刀头就会卡住。
- ▶ **请紧握电动工具。**拧紧和拧松螺丝时可能短时出现高反应扭矩。
- ▶ **固定好工件。**使用固定装置或老虎钳固定工件，会比用手持握工件更牢固。
- ▶ **使用合适的侦测装置侦察隐藏的电线，或者向当地的相关单位寻求支援。**接触电线可能引起火灾并让操作者触电。损坏了瓦斯管会引起爆炸。凿穿水管不仅会造成严重的财物损失，也可能导致触电。
- ▶ **等待电动工具完全静止后才能够放下机器。**机器上的工具可能在工作中被夹住，而令您无法控制电动工具。

产品和性能说明



请阅读所有安全规章和指示。不遵照以下警告和说明可能导致电击、着火和/或严重伤害。

请注意本使用说明书开头部分的图示。

按照规定使用

GBM、TBM代表电钻，GSB、TSB代表冲击电钻。

本电动工具用于在砖块、混凝土和石材上进行冲击钻以及在木材、金属和塑料上钻孔。设备配备了电子调节和正/逆转功能，也适用于拧螺丝和攻丝。

插图上的机件

机件的编号和电动工具详解图上的编号一致。

- (1) 快速夹头^{A)}
- (2) 前套筒
- (3) 后套筒
- (4) “钻孔/冲击钻”转换开关
- (5) 正逆转开关 (GSB 13 RE/GSB 16 RE)
- (6) 电源开关的锁定按钮
- (7) 电源开关
- (8) 转速预选调节轮 (GSB 16 RE)
- (9) 辅助手柄 (绝缘握柄)^{A)}

- (10) 限深器^{A)}
- (11) 手柄 (绝缘握柄)
- (12) 夹头扳手^{A)}
- (13) 齿环夹头^{A)}
- (14) 通用批头套筒^{A)}
- (15) 螺丝批嘴^{A)}
- (16) 内六角扳手^{A)B)}
- (17) 开口扳手^{A)B)}

A) 图表或说明上提到的附件，并不包含在基本的供货范围中。本公司的附件清单中有完整的附件供应项目。

B) 市售 (不包含在供货范围之内)

技术数据

| 冲击钻 | | GSB 13 | GSB 13 RE | GSB 16 | GSB 16 RE |
|----------------------------|------|---------------|---------------|---------------|---------------|
| 物品代码 | | 3 601 B27 0.. | 3 601 B27 1.. | 3 601 B28 0.. | 3 601 B28 1.. |
| 额定输入功率 | 瓦 | 650 | 650 | 750 | 750 |
| 输出功率 | 瓦 | 353 | 353 | 456 | 456 |
| 无负载转速 | 转/分钟 | 3150 | 3150 | 3250 | 3250 |
| 冲击次数 | 次/分钟 | 47 000 | 47 000 | 48 500 | 48 500 |
| 额定扭力 | 牛顿米 | 1.8 | 1.8 | 2.1 | 2.1 |
| 转速预选 | | - | - | - | ● |
| 正/逆转功能 | | - | ● | - | ● |
| 主轴颈直径 | 毫米 | 43 | 43 | 43 | 43 |
| 最大钻孔直径 | | | | | |
| - 混凝土 | 毫米 | 13 | 13 | 16 | 16 |
| - 钢 | 毫米 | 10 | 10 | 12 | 12 |
| - 木材 | 毫米 | 20 | 20 | 25 | 25 |
| 夹头的夹紧范围 | 毫米 | 1.5-13 | 1.5-13 | 1.5-13 | 1.5-13 |
| 重量符合EPTA-Procedure 01:2014 | 千克 | 1.6 | 1.6 | 1.8 | 1.8 |
| 保护等级 | | □/ | □/ | □/ | □/ |

所有参数适用于230伏的额定电压[U]，对于其他不同的电压和国际规格，数据有可能不同。

安装

- ▶ 在电动工具上进行所有操作之前都必须从插座上拔出电源插头。

辅助手柄 (见图片A)

- ▶ 操作电动工具时务必使用辅助手柄(9)。

可以任意翻动辅助手柄(9)，以便在工作时毫无疲劳地牢牢抓紧。

逆时针转动辅助手柄(9)的下半部并装入限深器(10)。

尽可能地拉出限深器，使钻尖与限深器尖端之间的距离等于所需的钻孔深度X。

然后顺时针重新拧紧辅助手柄(9)的下半部。

限深器(10)的槽纹必须朝上。

更换工具

快速夹头 (见图片B)

握住快速夹头(1)的后套筒(3)，沿①方向旋转前套筒(2)，直至可以安装工具为止。安装好工具。

握住快速夹头(1)的后套筒(3)，用手朝着②方向用力旋紧前套筒(2)，直至不再听到过于卡紧的声音为止。由此钻夹头会被自动锁止。

反向转动前套筒(2)来移除工具时，锁止件再次自动松开。

齿环夹头 (见图片C)

- ▶ 更换刀具时，请佩戴保护手套。长时间工作之后夹头会变得十分炽热。

旋转打开齿环夹头(13)，直至可以装入工具。安装好工具。

将夹头扳手(12)插入齿环夹头(13)相应的孔中，然后均匀拧紧工具。

起子机的工具 (见图片D)

使用螺丝批嘴(15)时, 应当使用通用批嘴架(14)。必须使用与螺丝头大小相符的螺丝批嘴。

旋螺栓时, 应将“钻孔/冲击钻”(4)转换按钮调到“钻孔”图标上。

更换钻夹头

▶ 在电动工具上进行所有操作之前都必须从插座上拔出电源插头。

拆卸钻夹头 (见图片E)

为了拆卸快速夹头(1), 将内六角扳手(16)夹到快速夹头(1)中并将开口扳手(17) (SW 14) 放在驱动轴的扳手着力面上。

将电动工具放到一个稳固的底板上, 例如工作台。固定开口扳手(17), 朝●方向转动内六角扳手(16)松开快速夹头(1)。通过轻轻敲击内六角扳手(16)的长柄来松开卡住的快速夹头。

将内六角扳手从快速夹头中拆下, 然后完全拧下快速夹头。

请按照与拆卸快速夹头相同的方式拆卸齿环夹头(13)。

安装钻夹头 (见图片F)

以相反的顺序安装快速夹头/带卡环的快速夹头/齿环夹头。



必须以33-39牛米的拧紧力矩拧紧钻夹头。

抽吸粉尘/切屑

含铅的颜料以及某些木材、矿物和金属的加工废尘有害健康。机器操作者或者工地附近的人如果接触、吸入这些废尘, 可能会有过敏反应或者感染呼吸道疾病。

某些尘埃(例如加工橡木或山毛榉的废尘)可能致癌, 特别是和处理木材的添加剂(例如木材的防腐剂等)结合之后。只有经过专业训练的人才能够加工含石棉的物料。

- 工作场所要保持空气流通。
- 最好佩戴P2滤网等级的口罩。

请留心并遵守贵国和加工物料有关的法规。

▶ 避免让工作场所堆积过多的尘垢。尘埃容易被点燃。

运行

投入使用

▶ 注意电源电压! 电源的电压必须和电动工具铭牌上标示的电压一致。标记为230伏电动工具用220伏的电压可以驱动。

调整旋转方向 (见图片G-H) (GSB 13 RE / GSB 16 RE)

▶ 只能在电动工具静止时 操纵正逆转开关 (5)。

通过正逆转开关(5)可以更改电动工具的旋转方向。按下起停开关(7)后无法更改。

正转: 钻孔和拧入螺丝时, 将正逆转开关(5)在左侧向上推, 同时在右侧向下推。

逆转: 松开并拧出螺丝时, 将正逆转开关(5)在左侧向下推, 同时在右侧向上推。

设定操作模式



钻孔和拧螺丝

将转换按钮(4)调到“钻孔”图标上。



冲击钻

将转换按钮(4)调到“冲击钻”图标上。可感到转换按钮(4)卡止, 在电机运行时也可操纵。

接通/关闭

将电动工具投入使用时按压起停开关(7)并按住。如需锁定被按住的起停开关(7), 请按压锁定键(6)。

如需关闭电动工具, 请松开起停开关(7), 如果其已被锁定键(6)锁住, 请短促按压起停开关(7), 然后再松开。

设置转速/冲击次数 (GSB 13 RE/GSB 16 RE)

可以无级调节已接通电动工具的转速 / 冲击次数, 视按压起停开关(7)的力度程度决定。

以较小的力按压起停开关(7)时, 转速 / 冲击次数较低。增强施加在起停开关上的压力, 可以提高机器的转速 / 冲击次数。

预选转速/冲击次数 (GSB 16 RE)

利用转速预选调节轮(8)也可以在运行过程中预选所需的转速/冲击次数。

正确的转速/冲击次数必须视加工物料和工作状况而定, 唯有实际操作才能够得到最合适的结果。

工作提示

▶ 在电动工具上进行所有操作之前都必须从插座上拔出电源插头。

▶ 先关闭电动工具, 然后再放置在螺母/螺栓上。旋转的工具刀头可能会滑开。

使用低转速长时间操作之后, 应该让电动工具以最大转速空转约3分钟来帮助机器冷却。

为瓷砖钻孔时, 将转换按钮(4)调到“钻孔”图标上。瓷砖钻穿后, 将转换按钮调到“冲击钻”图标上, 进行冲击钻作业。

在混凝土、石材和砖墙上钻孔时, 必须使用硬金属钻头。

在金属上钻孔时, 仅可使用锋利的HSS钻头 (HSS=高速钢)。在Bosch博世的附件产品系列中, 有符合这个品质等级的产品。

可通过钻头刃磨机 (附件) 毫不费力地磨利直径在2.5-10毫米的麻花钻。

維修和服務

维护和清洁

- ▶ 在电动工具上进行所有操作之前都必须从插座上拔出电源插头。
- ▶ 电动工具和通气孔必须随时保持清洁，以确保工作效率和工作安全。

如果必须更换连接线，务必把这项工作交给Bosch或者经授权的Bosch电动工具顾客服务执行，以避免危害机器的安全性能。

客户服务和应用咨询

本公司顾客服务处负责回答有关本公司产品的修理、维护和备件的问题。备件的展开图纸和信息也可查看：www.bosch-pt.com
博世应用咨询团队乐于就我们的产品及其附件问题提供帮助。

询问和订购备件时，务必提供机器铭牌上标示的10位数字物品代码。

中国大陆

博世电动工具（中国）有限公司
中国 浙江省 杭州市
滨江区 滨康路567号
102/1F 服务中心
邮政编码：310052
电话：(0571)8887 5566 / 5588
传真：(0571)8887 6688 x 5566# / 5588#
电邮：bsc.hz@cn.bosch.com
www.bosch-pt.com.cn

制造商地址：

Robert Bosch Power Tools GmbH
罗伯特·博世电动工具有限公司
70538 Stuttgart / GERMANY
70538 斯图加特 / 德国

其他服务地址请见：

www.bosch-pt.com/serviceaddresses

处理废弃物

必须以符合环保要求的方式回收再利用电动工具、附件和包装材料。



请勿将电动工具扔到生活垃圾中！

繁體中文

安全注意事項

電動工具一般安全注意事項



警告

請詳讀工作臺及電動工具的所
有安全警告與使用說明。若不

遵照以下列出的指示，將可能導致電擊、著火和/或人員重傷。

保存所有警告和說明書以備查閱。

在所有警告中，「電動工具」此一名詞泛指：以市電驅動的（有線）電動工具或是以電池驅動的（無線）電動工具。

工作場地的安全

- ▶ **保持工作場地清潔和明亮。** 混亂和黑暗的場地會引發事故。
- ▶ **不要在易爆環境，如有易燃液體、氣體或粉塵的環境下操作電動工具。** 電動工具產生的火花會點燃粉塵或氣體。
- ▶ **讓兒童和旁觀者離開後操作電動工具。** 注意力不集中會使您失去對工具的控制。

電氣安全

- ▶ **電動工具插頭必須與插座相配。** 絕不能以任何方式改裝插頭。需接地的電動工具不能使用任何轉換插頭。未經改裝的插頭和相配的插座將減少電擊危險。
- ▶ **避免人體接觸接地表面，如管道、散熱片和冰箱。** 如果您身體接地會增加電擊危險。
- ▶ **不得將電動工具暴露在雨中或潮濕環境中。** 水進入電動工具將增加電擊危險。
- ▶ **不得濫用電線。** 絕不能用電線搬運、拉動電動工具或拔出其插頭。使電線遠離熱源、油、銳利邊緣或移動零件。受損或纏繞的軟線會增加電擊危險。
- ▶ **當在戶外使用電動工具時，使用適合戶外使用的延長線。** 適合戶外使用的軟線，將減少電擊危險。
- ▶ **如果在潮濕環境下操作電動工具是不可避免的，應使用剩餘電流動作保護器（RCD）。** 使用RCD可降低電擊危險。

人身安全

- ▶ **保持警覺，當操作電動工具時關注所從事的操作並保持清醒。** 當您感到疲倦，或在有藥物、酒精或治療反應時，不要操作電動工具。在操作電動工具時瞬間的疏忽會導致嚴重人身傷害。
- ▶ **使用個人防護裝置。** 始終佩戴護目鏡。安全裝置，諸如適當條件下使用防塵面具、防滑安全鞋、安全帽、聽力防護等裝置能減少人身傷害。
- ▶ **防止意外起動。** 確保開關在連接電源和/或電池盒、拿起或搬運工具時處於關閉位置。手指放在已接通電源的開關上或開關處於接通時插入插頭可能會導致危險。
- ▶ **在電動工具接通之前，拿掉所有調節鑰匙或扳手。** 遺留在電動工具旋轉零件上的扳手或鑰匙會導致人身傷害。
- ▶ **手不要伸展得太長。** 時刻注意立足點和身體平衡。這樣在意外情況下能很好地控制電動工具。
- ▶ **著裝適當。** 不要穿寬鬆衣服或佩戴飾品。讓您的衣物及頭髮遠離運動部件。寬鬆衣服、佩飾或長髮可能會捲入運動部件中。

- ▶ 如果提供了與排屑、集塵設備連接用的裝置，要確保他們連接完好且使用得當。使用這些裝置可減少塵屑引起的危險。
- ▶ 切勿因經常使用工具所累積的熟練感而過度自信，輕忽工具的安全守則。任何一個魯莽的舉動都可能瞬間造成人員重傷。

電動工具使用和注意事項

- ▶ 不要濫用電動工具，根據用途使用適當的電動工具。選用適當設計的電動工具會使您工作更有效、更安全。
- ▶ 如果開關不能開啟或關閉工具電源，則不能使用該電動工具。不能用開關來控制的電動工具是危險的且必須進行修理。
- ▶ 在進行任何調整、更換配件或貯存電動工具之前，必須從電源上拔掉插頭並/或取出電池盒。這種防護性措施將減少工具意外起動的危險。
- ▶ 將閒置不用的電動工具貯存在兒童所及範圍之外，並且不要讓不熟悉電動工具或對這些說明不瞭解的人操作電動工具。電動工具在未經培訓的用戶手中是危險的。
- ▶ 保養電動工具與配備。檢查運動件是否調整到位或卡住，檢查零件破損情況和影響電動工具運行的其他狀況。如有損壞，電動工具應在使用前修理好。許多事故由維護不良的電動工具引發。
- ▶ 保持切削刀具鋒利和清潔。保養良好的有鋒利切削刃的刀具不易卡住而且容易控制。
- ▶ 按照使用說明書，考慮作業條件和進行的作業來使用電動工具、配件和工具的刀頭等。將電動工具用於那些與其用途不符的操作可能會導致危險。
- ▶ 把手及握持區應保持乾燥、潔淨，且不得沾染任何油液或油脂。易滑脫的把手及握持區將無法讓您在發生意外狀況時安全地抓緊並控制工具。

檢修

- ▶ 將您的電動工具送交專業維修人員，必須使用同樣的備件進行更換。這樣將確保所維修的電動工具的安全性。

鑽孔的安全警告

所有作業的安全說明

- ▶ 鑽孔時請戴上耳罩。暴露在噪音下會造成聽力喪失。
- ▶ 使用輔助握把。失去控制可能會造成人員受傷。
- ▶ 進行作業時，負責進行切割的配件或固定釘可能會碰到隱藏的配線或電動工具的電線，請從絕緣握把處拿持電動工具。負責進行切割的配件或固定釘若是觸及「導電」電線，可能導致電動工具外露的金屬部件「導電」，進而使操作人員遭受電擊。

使用長鑽頭的安全說明

- ▶ 切勿以超過鑽頭額定最高轉速的速度操作。若鑽頭未接觸工件且以超過最高轉速的速度無負載轉動，可能會讓鑽頭彎曲並導致人員受傷。

- ▶ 請務必以低速啟動並將鑽尖確實抵住工件。若鑽頭未接觸工件且以超過最高轉速的速度無負載轉動，可能會讓鑽頭彎曲並導致人員受傷。
- ▶ 請沿著鑽頭方向施加適當的壓力，切勿過度施壓。鑽頭可能會彎曲並造成斷裂、失控並導致人員受傷。

其他安全注意事項

- ▶ 如果嵌件工具被夾住了，請立刻關閉電動工具的電源。請準備好承受反作用力所造成的反彈。電動工具過載時或當它在進行加工的工作內部歪斜時，都會造成嵌件工具被夾住不動。
- ▶ 請牢牢握緊電動工具。旋緊與鬆開螺絲時，瞬間可能會有較大的反作用力。
- ▶ 固定好工件。使用固定裝置或老虎鉗固定工件，會比用手握持工件更牢固。
- ▶ 使用合適的偵測裝置偵察隱藏的電線，或者向當地的相關單位尋求支援。接觸電線可能引起火災並讓操作者觸電。若損壞瓦斯管會引起爆炸。鑿穿水管不僅會造成嚴重的財物損失，也可能導致觸電。
- ▶ 必須等待電動工具完全靜止後才能將它放下。嵌件工具可能卡住而使電動工具失控。

產品和功率描述



請詳讀所有安全注意事項和指示。如未遵守安全注意事項與指示，可能導致火災、人員遭受電擊及/或重傷。請留意操作說明書中最前面的圖示。

依規定使用機器

本機器適合在磚塊、混凝土和石材上進行衝擊鑽孔。另外也可在木材、金屬和塑膠上進行一般鑽孔。若是具有電子調控與正逆轉功能的裝置，也適合用於拆裝螺絲及攻牙。

插圖上的機件

機件的編號和電動工具詳解圖上的編號一致。

- (1) 快速夾頭^{A)}
- (2) 前套筒
- (3) 後套筒
- (4) 「鑽孔/錐鑿鑽孔」切換開關
- (5) 正逆轉開關 (GSB 13 RE/GSB 16 RE)
- (6) 起停開關鎖止按鈕
- (7) 起停開關
- (8) 轉數設定轉鈕 (GSB 16 RE)
- (9) 輔助手柄 (絕緣握柄) ^{A)}
- (10) 限深擋塊^{A)}
- (11) 把手 (絕緣握柄)
- (12) 夾頭扳手^{A)}
- (13) 齒環式夾頭^{A)}
- (14) 通用工具頭夾持器^{A)}
- (15) 螺絲起子工具頭^{A)}

(16) 內六角扳手^{A)B)}**(17)** 開口扳手^{A)B)}

- A) 圖表或說明上提到的配件，並不包含在基本的供貨範圍中。本公司的配件清單中有完整的配件供應項目。
- B) 一般市售（不包含在供貨範圍）

技術性數據

| 鏈擊電鑽 | | GSB 13 | GSB 13 RE | GSB 16 | GSB 16 RE |
|-----------------------------|-------|---------------|---------------|---------------|---------------|
| 產品機號 | | 3 601 B27 0.. | 3 601 B27 1.. | 3 601 B28 0.. | 3 601 B28 1.. |
| 額定輸入功率 | W | 650 | 650 | 750 | 750 |
| 輸出功率 | W | 353 | 353 | 456 | 456 |
| 無負載轉速 | 次 / 分 | 3 150 | 3 150 | 3 250 | 3 250 |
| 衝擊次數 | 次 / 分 | 47 000 | 47 000 | 48 500 | 48 500 |
| 額定扭力 | Nm | 1.8 | 1.8 | 2.1 | 2.1 |
| 轉速預設功能 | | - | - | - | ● |
| 正逆轉功能 | | - | ● | - | ● |
| 主軸頸直徑 | mm | 43 | 43 | 43 | 43 |
| 最大鑽孔直徑 | | | | | |
| - 混凝土 | mm | 13 | 13 | 16 | 16 |
| - 鋼材 | mm | 10 | 10 | 12 | 12 |
| - 木材 | mm | 20 | 20 | 25 | 25 |
| 夾頭的夾緊範圍 | mm | 1.5-13 | 1.5-13 | 1.5-13 | 1.5-13 |
| 重量符合 EPTA-Procedure 01:2014 | kg | 1.6 | 1.6 | 1.8 | 1.8 |
| 絕緣等級 | | □/ | □/ | □/ | □/ |

本說明書提供的參數是以 230 伏特為依據，於低電壓地區，此數據有可能不同。

安裝

- ▶ 維修電動工具或換裝零、配件之前，務必從插座上拔出插頭。

輔助手柄（請參考圖 A）

- ▶ 操作電動工具時務必使用輔助手柄(9)。

輔助手柄 (9) 可隨意翻轉，以便採取一個穩固而不容易感到疲勞的工作姿勢。

逆時針旋轉輔助手柄 (9) 的下方握把處，然後裝入限深擋塊 (10)。

將限深擋塊拉出至，鑽頭尖端與限深擋塊尖端之間的距離等於所需的鑽孔深度 X。

然後再順時針旋轉輔助手柄 (9) 的下方握把處，將它重新鎖緊。

限深擋塊 (10) 上的刻紋必須朝上。

更換工具**快速夾頭（請參考圖 B）**

請握住快速夾頭 (1) 的後套筒 (3) 不要讓它移動，然後沿旋轉方向 ① 旋轉前套筒 (2)，直到能夠將工具裝入。裝入工具。

請握住快速夾頭 (1) 的後套筒 (3) 不要讓它移動，然後徒手沿旋轉方向 ② 用力轉緊前套筒 (2)，直到不再聽見越過制動卡桿的輾軋聲。這樣才代表夾頭已自動上鎖。

取下工具時，當您反向旋轉前端套筒 (2)，此鎖止裝置便會自動重新解鎖。

齒環式夾頭（請參考圖 C）

- ▶ 更換工具時請戴上防護手套。長時間操作之後夾頭溫度會變得非常高。

透過旋轉方式，將齒環式夾頭 (13) 打開至能夠裝入工具為止。裝入工具。

將夾頭扳手 (12) 插進齒環式夾頭 (13) 的對應孔，然後均勻地施力將工具夾緊。

螺栓拆裝工具（請參考圖 D）

使用螺絲起子工具頭 (15) 時，請您務必使用工具頭通用夾持器 (14)。必須使用與螺絲頭大小相符的螺絲起子工具頭。

拆裝螺栓時，「鑽孔／衝擊鑽孔」切換開關 (4) 一律要設定在「鑽孔」符號的位置上。

更換夾頭

- ▶ 維修電動工具或換裝零、配件之前，務必從插座上拔出插頭。

拆卸夾頭（請參考圖 E）

若要拆下快速夾頭 (1)，請將內六角扳手 (16) 卡入快速夾頭 (1)，再將開口扳手 (17) (開口度 14) 抵在驅動主軸的扳手槽上。

將電動工具平放在穩固平面上，例如工作桌。

握緊開口扳手 (17)，然後沿旋轉方向 ① 轉動內六角扳手 (16) 以便鬆開快速夾頭 (1)。快速夾頭若是卡死不動，只要對內六角扳手長柄 (16) 輕敲一下，即可鬆開。

將內六角扳手從快速夾頭上取下，然後便可將快速夾頭完全轉下來。

齒環式夾頭 (13) 的拆卸方式與快速夾頭相同。

安裝夾頭 (請參考圖 F)

如要安裝快速夾頭/附帶安全卡環的快速夾頭/齒環式夾頭，以相反順序執行上述步驟即可。



必須以約 33-39 Nm 的旋緊扭力將夾頭旋緊。

吸除廢塵/料屑

含鉛的顏料及部分木材、礦物和金屬的加工廢塵有害健康。機器操作者或者工地附近的人如果接觸、吸入這些廢塵，可能會有過敏反應或者感染呼吸道疾病。

特定粉塵 (例如加工橡木或山毛櫸的廢塵) 可能致癌，特別是與處理木材的添加劑 (例如木材的防腐劑等) 混合之後。只有經過專業訓練的人才允許加工含石棉的物料。

- 工作場所要保持空氣流通。
- 建議佩戴 P2 濾網等級的口罩。

請留意並遵守貴國與加工物料有關的法規。

- ▶ 避免讓工作場所堆積過多的塵垢。塵埃容易被點燃。

操作

操作機器

- ▶ 請注意電源電壓！電源的電壓必須和電動工具銘牌上標示的電壓一致。標示為 230 V 的電動工具亦可接上 220 V 電源。

設定旋轉方向 (請參考圖 G-H) (GSB 13 RE / GSB 16 RE)

- ▶ 電動工具靜止時，才能操作正逆轉開關 (5)。

透過正逆轉開關 (5) 即可變更電動工具的旋轉方向。但按下起停開關 (7) 時，將無法這樣做。

正轉：將正逆轉開關 (5) 的左側往上推，並同時將右側往下推，即可鑽孔及轉入螺栓。

逆轉：將正逆轉開關 (5) 的左側往下推，並同時將右側往上推，即可鬆開或旋出螺栓。

設定操作模式



鑽孔和拆裝螺栓

將切換開關 (4) 移至「鑽孔」符號。



衝擊鑽孔

將切換開關 (4) 移至「衝擊鑽孔」符號。

可感覺到切換開關 (4) 卡住，即使馬達正在運轉也可進行操作。

啟動/關閉

按下電源開關 (7) 不要放開，即可讓電動工具持續運轉。

若要讓起停開關 (7) 保持在壓下狀態，請按壓鎖止按鍵 (6)。

若要關閉電動工具，請直接放開起停開關 (7) 即可，或者您若有使用鎖止按鍵 (6)，則請在起停開關 (7) 上短按一下後放開。

調整轉速/衝擊次數 (GSB 13 RE/GSB 16 RE)

您可為已啟動的電動工具無段調控轉速/衝擊次數，轉速是由按壓起停開關 (7) 的深度決定。

輕按起停開關 (7) 時，轉速/衝擊次數較低。逐漸在開關上加壓，轉速/衝擊次數也會跟著提高。

預設轉數/衝擊次數 (GSB 16 RE)

利用轉數設定轉鈕 (8)，即使是在工具運作期間，亦可按照需求設定轉數/衝擊次數。

合適的轉速/衝擊次數會因物料或工作狀況而不同，唯有實際操作才能夠找到最佳設定。

作業注意事項

- ▶ 維修電動工具或換裝零、配件之前，務必從插座上拔出插頭。

- ▶ 電動工具應先停止運轉，然後才放到螺母/螺栓上。轉動中的嵌件工具可能會滑開。

使用低轉速長期操作之後，應該讓電動工具以最大轉速空轉約 3 分鐘來幫助機器冷卻。

若要在瓷磚上鑽孔，請將切換開關 (4) 移至「鑽孔」符號。瓷磚鑽穿後，再將切換開關移至「衝擊鑽孔」符號，以便進行衝擊加工。

在混凝土、石材和磚牆上鑽孔時，必須使用硬金屬鑽頭。

在金屬上鑽孔時，僅能使用完好的銳利 HSS 鑽頭 (HSS = 高速鋼)。選用 Bosch 原廠的配件產品，即可確保符合此品質等級。

利用鑽頭磨利器 (配件) 即可毫不費力地磨利直徑 2.5 - 10 mm 的麻花鑽頭。

維修和服務

維修和清潔

- ▶ 維修電動工具或換裝零、配件之前，務必從插座上拔出插頭。

- ▶ 電動工具和通風口都必須保持清潔，這樣才能夠提高工作品質和安全性。

如果必須更換連接線，請務必交由 Bosch 或者經授權的 Bosch 電動工具顧客服務執行，以避免危害機器的安全性能。

顧客服務處和顧客諮詢中心

本公司顧客服務處負責回答有關本公司產品的維修、維護和備用零件的問題。以下的網頁中有分解圖和備用零件相關資料：www.bosch-pt.com
如果對本公司產品及其配件有任何疑問，博世應用諮詢小組很樂意為您提供協助。

当您需要諮詢或訂購備用零件時，請務必提供本產品型號銘牌上 10 位數的產品機號。

台灣

台灣羅伯特博世股份有限公司
建國北路一段90號6樓
台北市10491
電話: (02) 7734 2588
傳真: (02) 2516 1176
www.bosch-pt.com.tw

製造商地址:

Robert Bosch Power Tools GmbH
羅伯特·博世電動工具有限公司
70538 Stuttgart / GERMANY
70538 斯圖加特/ 德國

以下更多客戶服務處地址：

www.bosch-pt.com/serviceaddresses

廢棄物處理

必須以符合環保的方式，回收再利用損壞的機器、配件和廢棄的包裝材料。



不可以把電動工具丟入一般的家庭垃圾中。

ไทย

คำเตือนเพื่อความปลอดภัย

คำเตือนเพื่อความปลอดภัยทั่วไปสำหรับเครื่องมือไฟฟ้า

⚠ คำเตือน อ่านคำเตือนเพื่อความปลอดภัย คำแนะนำ ภาพประกอบ และข้อมูล

จำเพาะทั้งหมดที่จัดส่งมาพร้อมกับเครื่องมือไฟฟ้า การไม่ปฏิบัติตามคำแนะนำทั้งหมดที่ระบุไว้ด้านล่างนี้อาจทำให้ถูกไฟฟ้าดูด เกิดไฟไหม้ และ/หรือได้รับบาดเจ็บอย่างร้ายแรง

เก็บรักษาคำเตือนและคำสั่งทั้งหมดสำหรับเปิดอ่านในภายหลัง

คำว่า "เครื่องมือไฟฟ้า" ในคำเตือนหมายถึง เครื่องมือไฟฟ้าของท่านที่ทำงานด้วยพลังงานไฟฟ้าจากแหล่งจ่ายไฟหลัก (มีสายไฟฟ้า) และเครื่องมือไฟฟ้าที่ทำงานด้วยพลังงานไฟฟ้าจากแบตเตอรี่ (ไร้สาย)

ความปลอดภัยในสถานที่ทำงาน

- ▶ **รักษาสถานที่ทำงานให้สะอาดและมีไฟส่องสว่างดี**
สถานที่ที่มีมืดหรือรกรุงรังนำมาซึ่งอุบัติเหตุ

- ▶ **อย่าใช้เครื่องมือไฟฟ้าทำงานในสภาพบรรยากาศที่จุดติดไฟได้ เช่น ในที่ที่มีของเหลวไวไฟ ก๊าซ หรือฝุ่น**
เมื่อใช้เครื่องมือไฟฟ้าจะเกิดประกายไฟซึ่งอาจจุดฝุ่นหรือไอให้ลุกเป็นไฟได้
- ▶ **ขณะใช้เครื่องมือไฟฟ้าทำงาน ต้องกั้นเด็กและผู้ยืนดูให้ออกห่าง**
การหันเหความสนใจอาจทำให้ท่านขาดการควบคุมเครื่องได้

ความปลอดภัยเกี่ยวกับไฟฟ้า

- ▶ **ปลั๊กของเครื่องมือไฟฟ้าต้องเหมาะสมพอดีกับเต้าเสียบ**
อย่าตัดแปลงปลั๊กไม่ว่าในลักษณะใดๆ อย่างเด็ดขาด
อย่าใช้ปลั๊กพ่วงต่อใดๆ กับเครื่องมือไฟฟ้าที่มีสายดิน
ปลั๊กที่ไม่ตัดแปลงและเต้าเสียบที่เข้ากันช่วยลดความเสี่ยงจากการถูกไฟฟ้าดูด
- ▶ **หลีกเลี่ยงอย่าให้ร่างกายสัมผัสกับพื้นผิวที่ต่อสายดินหรือลงกราวด์ไว้ เช่น ท่อ เครื่องทำความร้อน เตา และตู้เย็น**
จะเสี่ยงอันตรายจากการถูกไฟฟ้าดูดมากขึ้นหากกระแสไฟฟ้าวิ่งผ่านร่างกายของท่านลงดิน
- ▶ **อย่าให้เครื่องมือไฟฟ้าถูกฝนหรืออยู่ในสภาพเปียกชื้น**
หากน้ำเข้าในเครื่องมือไฟฟ้า จะเพิ่มความเสี่ยงจากการถูกไฟฟ้าดูด
- ▶ **อย่าใช้สายไฟฟ้าในทางที่ผิด** อย่าใช้สายไฟฟ้าเพื่อยก ding หรือถอดปลั๊กเครื่องมือไฟฟ้า กั้นสายไฟฟ้าออกจากความร้อน น้ำมัน ขอบแหลมคม หรือชิ้นส่วนที่เคลื่อนที่ สายไฟฟ้าที่ชำรุดหรือพันกันยุ่งเพิ่มความเสี่ยงจากการถูกไฟฟ้าดูด
- ▶ **เมื่อใช้เครื่องมือไฟฟ้าทำงานกลางแจ้ง ให้ใช้สายไฟ**
ต่อที่เหมาะสมสำหรับการใช้งานกลางแจ้ง การใช้สายไฟต่อที่เหมาะสมสำหรับงานกลางแจ้ง จะช่วยลดอันตรายจากการถูกไฟฟ้าดูด
- ▶ **หากไม่สามารถหลีกเลี่ยงการใช้เครื่องมือไฟฟ้าทำงานในสถานที่เปียกชื้นได้ ให้ใช้สวิทช์ตัดวงจรเมื่อเกิดการรั่วไหลของไฟฟ้าจากสายดิน (RCD)** การใช้สวิทช์ตัดวงจรเมื่อเกิดการรั่วไหลของไฟฟ้าจากสายดินช่วยลดความเสี่ยงต่อการถูกไฟฟ้าดูด

ความปลอดภัยของบุคคล

- ▶ **ท่านต้องอยู่ในสภาพเตรียมพร้อม ระมัดระวังในสิ่งที่ท่านกำลังทำอยู่ และมีสติขณะใช้เครื่องมือไฟฟ้าทำงาน**
อย่าใช้เครื่องมือไฟฟ้าขณะที่ท่านกำลังเหนื่อย หรืออยู่ภายใต้การครอบงำของฤทธิ์ของยาเสพติด แอลกอฮอล์ และยา เมื่อใช้เครื่องมือไฟฟ้าทำงาน

ในขั้นหน้าที่ท่านขาดความเอาใจใส่อาจทำให้บุคคลบาดเจ็บอย่างรุนแรงได้

- ▶ **ใช้อุปกรณ์ปกป้องร่างกาย สวมแว่นตาป้องกันเสมอ** อุปกรณ์ปกป้อง เช่น หน้ากากกันฝุ่น รองเท้ากันลื่น หมวกแข็ง หรือประคบหูกันเสียงดังที่ใช้ตามความเหมาะสมกับสภาพการทำงาน จะลดการบาดเจ็บทางร่างกาย
- ▶ **ป้องกันการติดเครื่องโดยไม่ตั้งใจ ตรวจสอบให้แน่ใจว่าสวิตช์อยู่ในตำแหน่งปิดก่อนเชื่อมต่อเข้ากับแหล่งจ่ายไฟ และ/หรือแบตเตอรี่ แยกหรือถือเครื่องมือถือเครื่องโดยใช้นิ้วหัวที่สวิตช์ หรือเสียบปลั๊กไฟฟ้าขณะสวิตช์เปิดอยู่ อาจนำไปสู่อุบัติเหตุที่ร้ายแรงได้**
- ▶ **นำเครื่องมือปรับแต่งหรือประแจปากตายออกก่อนเปิดสวิตช์เครื่องมือไฟฟ้า เครื่องมือหรือประแจปากตายที่วางอยู่กับส่วนของเครื่องที่กำลังหมุนจะทำให้บุคคลบาดเจ็บได้**
- ▶ **อย่าเอื้อมไกลเกินไป ตั้งทำยีนที่มีน้ำหนักและวางน้ำหนักให้สมดุลตลอดเวลา** ในลักษณะนี้ท่านสามารถควบคุมเครื่องมือไฟฟ้าในสถานการณ์ที่ไม่คาดคิดได้ดีกว่า
- ▶ **แต่งกายอย่างเหมาะสม อย่าใส่เสื้อผ้าหลวมหรือสวมเครื่องประดับ** เาหมและเสื้อผ้าออกห่างจากชิ้นส่วนที่เคลื่อนที่ เสื้อผ้าหลวม เครื่องประดับ และผมยาวอาจเข้าไปติดในชิ้นส่วนที่เคลื่อนที่
- ▶ **หากเครื่องมือไฟฟ้ามีข้อเชื่อมต่อกับเครื่องดูดฝุ่นหรือเครื่องเก็บผง ให้ตรวจสอบให้แน่ใจว่าได้เชื่อมต่อและใช้งานอย่างถูกต้อง** การใช้อุปกรณ์ดูดฝุ่นช่วยลดอันตรายที่เกิดจากฝุ่นได้
- ▶ **เมื่อใช้งานเครื่องมืออยู่ครั้งจะเกิดความคุ้นเคย** อย่าให้ความคุ้นเคยทำให้ท่านเกิดความชะล่าใจและละเลยกฎเกณฑ์ด้านความปลอดภัยในการใช้งานเครื่อง การทำงานอย่างไม่ระมัดระวังอาจทำให้เกิดการบาดเจ็บอย่างร้ายแรงภายในเสี้ยววินาที

การใช้และการดูแลรักษาเครื่องมือไฟฟ้า

- ▶ **อย่างผินกำลังเครื่องมือไฟฟ้า ใช้เครื่องมือไฟฟ้าที่ถูกต้องตรงตามลักษณะงานของท่าน** เครื่องมือไฟฟ้าที่ถูกต้องจะทำงานได้ดีกว่าและปลอดภัยกว่าในระดับสมรรถภาพที่ออกแบบไว้
- ▶ **อย่าใช้เครื่องมือไฟฟ้าถ้าสวิตช์ไม่สามารถเปิดปิดได้** เครื่องมือไฟฟ้าที่ไม่สามารถควบคุมการเปิดปิดด้วยสวิตช์ได้ เป็นเครื่องมือไฟฟ้าที่ไม่ปลอดภัยและต้องส่งซ่อมแซม
- ▶ **ก่อนปรับแต่งเครื่อง เปลี่ยนอุปกรณ์ประกอบ หรือเก็บเครื่องเข้าที่ ต้องถอดปลั๊กออกจากแหล่งจ่ายไฟ และ/หรือถอดแบตเตอรี่แพ็คเกจออกจากเครื่องมือไฟฟ้าหากถอดออกได้**

มาตรการป้องกันเพื่อความปลอดภัยนี้ช่วยลดความเสี่ยงจากการติดเครื่องโดยไม่ตั้งใจ

- ▶ **เมื่อเลิกใช้งานเครื่องมือไฟฟ้า ให้เก็บเครื่องมือไว้ในที่เด็กหยิบไม่ถึง และไม่อนุญาตให้บุคคลที่ไม่คุ้นเคยกับเครื่องมือหรือบุคคลที่ไม่ได้อ่านคำแนะนำเหล่านี้ใช้เครื่องมือไฟฟ้า** เป็นของอันตรายหากตกอยู่ในมือของผู้ใช้ที่ไม่ได้รับการฝึกฝน
- ▶ **บำรุงรักษาเครื่องมือไฟฟ้าและอุปกรณ์ประกอบ** ตรวจสอบชิ้นส่วนที่เคลื่อนที่ว่าวางไม่ตรงแนวหรือติดขัดหรือไม่ ตรวจสอบการแตกหักของชิ้นส่วนและสภาพอื่นใดที่อาจมีผลต่อการทำงานของเครื่องมือไฟฟ้า หากชำรุดต้องส่งเครื่องมือไฟฟ้าไปซ่อมแซมก่อนใช้งาน อุบัติเหตุหลายอย่างเกิดขึ้นเนื่องจากดูแลรักษาเครื่องไม่ดีพอ
- ▶ **รักษาเครื่องมือตัดให้คมและสะอาด** หากบำรุงรักษาเครื่องมือที่มีขอบตัดแหลมคมอย่างถูกต้องจะสามารถตัดได้สั้นไม่ติดขัดและควบคุมได้ง่ายกว่า
- ▶ **ใช้เครื่องมือไฟฟ้า อุปกรณ์ประกอบ เครื่องมือ และอุปกรณ์อื่นๆ ตรงตามคำแนะนำเหล่านี้** โดยคำนึงถึงเงื่อนไขการทำงานและงานที่จะทำ การใช้เครื่องมือไฟฟ้าทำงานที่ต่างไปจากวัตถุประสงค์การใช้งานของเครื่อง อาจนำไปสู่สถานการณ์ที่เป็นอันตรายได้
- ▶ **ดูแลตามจับและพื้นผิวจับให้แห้ง สะอาด และปราศจากคราบน้ำมันและจาระบี** ตามจับและพื้นผิวจับที่ลื่นทำให้หยิบจับได้ไม่ปลอดภัย และไม่สามารถควบคุมเครื่องมือในสถานการณ์ที่ไม่คาดคิด

การบริการ

- ▶ **ส่งเครื่องมือไฟฟ้าของท่านเข้ารับบริการจากช่างซ่อมที่มีคุณสมบัติเหมาะสม** โดยใช้อะไหล่ที่เหมือนกันเท่านั้น ในลักษณะนี้ท่านจะแน่ใจได้ว่าเครื่องมือไฟฟ้าอยู่ในสภาพที่ปลอดภัย

คำเตือนเพื่อความปลอดภัยสำหรับส่วน

คำเตือนเพื่อความปลอดภัยสำหรับการทำงานทั้งหมด

- ▶ **สวมประภหุป้องกันเสียงดังเมื่อเจาะกระแทก** การรับฟังเสียงดังอาจทำให้สูญเสียการได้ยิน
- ▶ **ใช้ตามจับเพิ่ม** การสูญเสียการควบคุมอาจทำให้บุคคลได้รับบาดเจ็บ
- ▶ **เมื่อทำงานในบริเวณที่อุปกรณ์ตัดหรือสกรูอาจสัมผัสสายไฟฟ้าที่ซ่อนอยู่หรือสายไฟฟ้าของตัวเอง** ต้องจับเครื่องมือไฟฟ้าตรงพื้นผิวจับที่หุ้มฉนวน หากอุปกรณ์ตัดหรือสกรูสัมผัสสายที่ “มีกระแสไฟฟ้า” ไหลผ่านจะทำให้ชิ้นส่วนโลหะที่ไม่มีกำบังของเครื่องมือไฟฟ้า

เกิด “มีกระแสไฟฟ้า” ด้วย และส่งผลให้ผู้ใช้งานเครื่องถูกไฟฟ้าดูดได้

คำเตือนเพื่อความปลอดภัยเมื่อใช้ดอกสว่านยาว

- ▶ **อย่าทำงานด้วยความเร็วที่สูงกว่าอัตราความเร็วสูงสุดของดอกสว่าน** ที่ความเร็วที่สูงกว่า ดอกสว่านอาจโค้งงอเมื่อปล่อยให้หมุนอย่างอิสระโดยไม่สัมผัสชิ้นงาน และส่งผลให้ได้รับบาดเจ็บทางร่างกาย
- ▶ **เริ่มต้นเจาะด้วยความเร็วต่ำและให้ปลายดอกสว่านสัมผัสชิ้นงานเสมอ** ที่ความเร็วที่สูงกว่า ดอกสว่านอาจโค้งงอเมื่อปล่อยให้หมุนอย่างอิสระโดยไม่สัมผัสชิ้นงาน และส่งผลให้ได้รับบาดเจ็บทางร่างกาย
- ▶ **ใช้แรงกดให้ตรงกับแนวดอกสว่านเท่านั้นและอย่าใช้แรงกดมากเกินไป** ดอกสว่านอาจโค้งงอทำให้แตกหักหรือสูญเสียการควบคุม และส่งผลให้ได้รับบาดเจ็บทางร่างกาย

คำแนะนำเพื่อความปลอดภัยเพิ่มเติม

- ▶ **ปิดสวิตช์เครื่องมือไฟฟ้าทันทีหากเครื่องมือติดขัด ให้เตรียมพร้อมสำหรับปฏิกิริยาแรงบิดสูงซึ่งเป็นเหตุให้เกิดการตีกลับ** เครื่องมือจะติดขัดเมื่อเครื่องมือไฟฟ้าถูกใช้งานเกินกำลังหรือเครื่องมือถูกบีบอัดอยู่ในชิ้นงาน
- ▶ **จับเครื่องมือไฟฟ้าให้แน่น** ขณะขันสกรูเข้าและคลายออก อาจเกิดแรงบิดสะท้อนช่วงสั้นๆ อย่างรุนแรงได้
- ▶ **ยึดชิ้นงานให้แน่น** การยึดชิ้นงานด้วยเครื่องมือหนีบหรือแท่นจับจะมีนัยมากกว่าการยึดด้วยมือ
- ▶ **ใช้เครื่องตรวจจับที่เหมาะสมเพื่อตรวจสอบสายไฟฟ้าหรือท่อสาธารณูปโภคที่อาจซ่อนอยู่ในบริเวณทำงานหรือติดต่อบริษัทสาธารณูปโภคในพื้นที่เพื่อขอความช่วยเหลือ** การสัมผัสสายไฟอาจทำให้เกิดไฟไหม้หรือถูกไฟฟ้าดูด การทำให้ท่อแก๊สเสียหายอาจทำให้เกิดระเบิด การเจาะเข้าในท่อน้ำทำให้รั่วซึมเสียหาย หรืออาจเป็นเหตุให้ถูกไฟฟ้าดูดได้
- ▶ **รอให้เครื่องมือไฟฟ้าหยุดสนิทก่อนวางเครื่องลงบนพื้น** เครื่องมือที่ใส่อยู่อาจติดขัดและทำให้สูญเสียการควบคุมเครื่องมือไฟฟ้า

รายละเอียดผลิตภัณฑ์และข้อมูล

จำเพาะ



อ่านคำเตือนเพื่อความปลอดภัยและคำแนะนำทั้งหมด การไม่ปฏิบัติตามคำเตือนและ

คำสั่งอาจเป็นสาเหตุให้ถูกไฟฟ้าดูด เกิดไฟไหม้ และ/หรือได้รับบาดเจ็บอย่างร้ายแรง

กรุณาดูภาพประกอบในส่วนหน้าของคู่มือการใช้งาน

ประโยชน์การใช้งานของเครื่อง

เครื่องมือไฟฟ้านี้ใช้สำหรับเจาะกระแทกในอิฐ คอนกรีต และหิน รวมทั้งเจาะในไม้ โลหะ และพลาสติก เครื่องที่มีระบบควบคุมอิเล็กทรอนิกส์และการหมุนซ้าย/ขวายังเหมาะสำหรับใช้ขันสกรูและต๊าปเกลียวด้วย

ส่วนประกอบที่แสดงภาพ

ลำดับเลขของส่วนประกอบผลิตภัณฑ์ข้างถึงส่วนประกอบของเครื่องที่แสดงในหน้าภาพประกอบ

- (1) หัวจับดอกชนิดจับเร็ว^{A)}
- (2) ปลอกหน้า
- (3) ปลอกหลัง
- (4) สวิตช์ปรับ “เจาะ/เจาะกระแทก”
- (5) ในหัวจับดอกชนิดจับเร็ว (GSB 13 RE/ GSB 16 RE)
- (6) ปุ่มล็อคสวิตช์เปิด-ปิด
- (7) สวิตช์เปิด-ปิด
- (8) ปุ่มตั้งความเร็วรอบล่วงหน้า (GSB 16 RE)
- (9) ตามจับเพิ่ม (พื้นผิวจับหุ้มฉนวน)^{A)}
- (10) ก้านวัดความลึก^{A)}
- (11) ตามจับ (พื้นผิวจับหุ้มฉนวน)
- (12) ประแจหัวจับดอกสว่าน^{A)}
- (13) หัวจับดอกชนิดมีเฟืองใน^{A)}
- (14) ก้านจับดอกทั่วไป^{A)}
- (15) ดอกไขควง^{A)}
- (16) ประแจขันหกเหลี่ยม^{A/B)}
- (17) ประแจปากตาย^{A/B)}

A) อุปกรณ์ประกอบที่แสดงภาพหรืออธิบายไม่รวมอยู่ในการจัดส่งมาตรฐาน
กรุณาดูอุปกรณ์ประกอบทั้งหมดในรายการแสดงอุปกรณ์ประกอบของเรา

B) มีจำหน่ายทั่วไป (ไม่รวมอยู่ในการจัดส่ง)

ข้อมูลทางเทคนิค

| ส่วนกระแทก | | GSB 13 | GSB 13 RE | GSB 16 | GSB 16 RE |
|---|-------------------|---------------|---------------|---------------|---------------|
| หมายเลขสินค้า | | 3 601 B27 0.. | 3 601 B27 1.. | 3 601 B28 0.. | 3 601 B28 1.. |
| กำลังไฟฟ้าที่ติดตั้งเข้า | วัตต์ | 650 | 650 | 750 | 750 |
| กำลังไฟฟ้าด้านออก | วัตต์ | 353 | 353 | 456 | 456 |
| ความเร็วรอบเดินตัวเปล่า | รอบ/นาที | 3 150 | 3 150 | 3 250 | 3 250 |
| อัตรากระแทก | นาที ¹ | 47 000 | 47 000 | 48 500 | 48 500 |
| แรงบิดที่กัก | นิวตันเมตร | 1.8 | 1.8 | 2.1 | 2.1 |
| การตั้งความเร็วรอบล่วงหน้า | | - | - | - | ● |
| การหมุนทางซ้าย/ขวา | | - | ● | - | ● |
| เส้นผ่าศูนย์กลางปลอกเพลลา | มม. | 43 | 43 | 43 | 43 |
| Ø-การเจาะ สูงสุด | | | | | |
| - คอนกรีต | มม. | 13 | 13 | 16 | 16 |
| - เหล็กกล้า | มม. | 10 | 10 | 12 | 12 |
| - ไม้ | มม. | 20 | 20 | 25 | 25 |
| วงหนีบหัวจับดอก | มม. | 1.5-13 | 1.5-13 | 1.5-13 | 1.5-13 |
| น้ำหนักตามระเบียบการ-EPTA-Procedure 01:2014 | กก. | 1.6 | 1.6 | 1.8 | 1.8 |
| ระดับความปลอดภัย | | □/ | □/ | □/ | □/ |

ค่าที่ให้นำมาใช้ได้กับแรงดันไฟฟ้าอเนก [U] 230 โวลต์ค่าเหล่านี้อาจเปลี่ยนแปลงไปสำหรับแรงดันไฟฟ้าที่แตกต่างกันและโมเดลที่ผลิตสำหรับเฉพาะประเทศ

การติดตั้ง

▶ ดึงปลั๊กไฟออกจากเต้าเสียบก่อนปรับแต่งเครื่อง

ด้ามจับเพิ่ม (ดูภาพประกอบ A)

▶ ต้องใช้เครื่องมือไฟฟ้าของท่านร่วมกับด้ามจับเพิ่ม (9) เสมอ

ท่านสามารถจับด้ามจับเพิ่ม (9) หันไปยังตำแหน่งใดก็ได้ เพื่อให้ได้ทำงานที่มั่นคงและเห็น้อย

หมุนที่จับด้านล่างของด้ามจับเพิ่ม (9) ในทิศทางทวนเข็มนาฬิกา และใส่ก้านวัดความลึก (10) เข้า

ดันก้านวัดความลึกออกมาจนระยะห่างระหว่างปลายดอกสว่านและปลายก้านวัดความลึกเท่ากับความลึกที่

เจาะที่ต้องการ X

จากนั้นจึงหมุนก้านจับด้านล่างของด้ามจับเพิ่ม (9) ในทิศทางเข็มนาฬิกากลับเข้าที่ให้แน่น

ต้องหันด้านที่เป็นร่องบนก้านวัดความลึก (10) ขึ้นบน

การเปลี่ยนเครื่องมือ

หัวจับดอกชนิดจับเร็ว (ดูภาพประกอบ B)

จับปลอกหลัง (3) ของหัวจับดอกชนิดจับเร็ว (1) ให้แน่น และหมุนปลอกหน้า (2) ไปในทิศทางหมุน ① จนสามารถสอดเครื่องมือได้ ใส่เครื่องมือเข้า

จับปลอกหลัง (3) ของหัวจับดอกชนิดจับเร็ว (1) ให้แน่น และใช้มือหมุนปลอกหน้า (2) ไปในทิศทางหมุน ② จนไม่ได้ยินเสียงลงล็อกอีกต่อไป ในลักษณะนี้หัวจับดอกจะถูกล็อกโดยอัตโนมัติ

การล็อกจะถูกปลดอีกครั้งเมื่อท่านหมุนปลอกหน้า (2) ไปในทิศทางตรงกันข้ามเพื่อถอดเครื่องมือออก

หัวจับดอกชนิดมีเฟืองใน (รูปภาพประกอบ C)

- ▶ **สวมถุงมือป้องกันอันตรายเมื่อเปลี่ยนเครื่องมือ** หัวจับดอกจะร่อนจัดขึ้นได้เมื่อใช้เครื่องทำงานนานๆ

เปิดหัวจับดอกชนิดมีเฟืองใน (13) โดยการหมุนจนสามารถใส่เครื่องมือได้ ใส่เครื่องมือเข้า

สอดประแจหัวจับดอก (12) เข้าในรูที่ลงรอยกันบนหัวจับดอกชนิดมีเฟืองใน (13) และหนีบเครื่องมือเข้าเสมอกัน

เครื่องมือขัน (รูปภาพประกอบ D)

เมื่อใช้ดอกไขควง (15) ควรใช้ด้ามจับดอกทั่วไป (14) ด้วยเสมอ ใช้ดอกไขควงที่มีขนาดพอดีกับหัวสกรูเท่านั้น

เมื่อต้องการขันสกรู ให้สับสวิทช์ปรับ "เจาะ/เจาะกระแทก" (4) ไปที่สัญลักษณ์ "เจาะ" เสมอ

การเปลี่ยนหัวจับดอก

- ▶ **ดึงปลั๊กไฟออกจากเต้าเสียบก่อนปรับแต่งเครื่อง**

การถอดหัวจับดอก (รูปภาพประกอบ E)

เมื่อต้องการถอดหัวจับดอกชนิดจับเร็ว (1) ออก ให้หนีบประแจขันหกเหลี่ยม (16) เข้าในหัวจับดอกชนิดจับเร็ว (1) และวางประแจปากตาย (17) (ขนาด 14 มม.) เข้านบนพื้นที่ยราบสำหรับประแจบนแกนขับ

วางเครื่องมือไฟฟ้าลงบนพื้นผิวที่มั่นคง ต. ย. เช่น โต๊ะทำงานสำหรับช่าง

จับประแจปากตาย (17) อย่างมั่นคง และคลายหัวจับดอกชนิดจับเร็ว (1) ออกโดยหมุนประแจขันหกเหลี่ยม (16) ไปในทิศทางหมุน ⚙️ คลายหัวจับดอกชนิดจับเร็วที่ติดแน่นออกโดยเคาะเบาๆ ที่ปลายด้านยาวของประแจขันหกเหลี่ยม (16)

เอาประแจขันหกเหลี่ยมออกจากหัวจับดอกชนิดจับเร็ว และขันหัวจับดอกชนิดจับเร็วออกจนสุด

สำหรับการถอดหัวจับดอกชนิดมีเฟืองใน (13) ให้ทำในลักษณะเดียวกับการถอดหัวจับดอกชนิดจับเร็ว

การติดตั้งหัวจับดอก (รูปภาพประกอบ F)

สำหรับการติดตั้งหัวจับดอกชนิดจับเร็ว/หัวจับดอกชนิดจับเร็วที่มีแหวนยึด/หัวจับดอกชนิดมีเฟืองใน ให้ทำตามลำดับย้อนหลัง



ต้องขันหัวจับดอกเข้าให้แน่นด้วยแรงบิดการขันประมาณ 33-39 นิวตันเมตร

การตัดฝุ่น/ซีลีอีย

ฝุ่นที่ได้จากวัสดุ เช่น เคลือบผิวที่มีสารตะกั่ว ไม้ยางประเภทแรธาตุ และโลหะ อาจเป็นอันตรายต่อสุขภาพ การสัมผัสหรือการหายใจเอาฝุ่นเข้าไปอาจทำให้เกิดปฏิกิริยาแพ้ฝุ่น และ/หรือนำมาซึ่งโรคติดเชื้อระบบหายใจแก่ผู้ใช้เครื่องมือหรือผู้ที่ยืนอยู่ใกล้เคียง

ฝุ่นบางประเภท เช่น ฝุ่นไม้ไผ่ หรือไม้มีขี้ผึ้ง นับเป็นสารที่ทำให้เกิดมะเร็ง โดยเฉพาะอย่างยิ่งเมื่อผสมกับสารเติมแต่งเพื่อบำบัดไม้ (โครเมต ผลิตภัณฑ์รักษาเนื้อไม้) สำหรับวัสดุที่มีแอสเบสทอสต้องให้ผู้เชี่ยวชาญทำงานเท่านั้น

- จัดสถานที่ทำงานให้มีการระบายอากาศที่ดี
- ขอแนะนำให้สวมหน้ากากป้องกันการติดเชื้อที่มีระดับ-ใส่กรอง P2

ปฏิบัติตามกฎข้อบังคับสำคัญอื่นๆ ที่เกี่ยวกับวัสดุชิ้นงานที่ยังคงใช้ในประเทศของท่าน

- ▶ **ป้องกันการสะสมของฝุ่นในสถานที่ทำงาน**

ฝุ่นสามารถถูกใหม่อย่างง่ายดาย

การปฏิบัติงาน

การเริ่มต้นปฏิบัติงาน

- ▶ **ให้สังเกตแรงดันไฟฟ้า! แรงดันไฟฟ้าจากแหล่งจ่ายไฟฟ้าต้องมีค่าตรงกับค่าแรงดันไฟฟ้าที่ระบุไว้บนแผ่นป้ายติดเครื่อง เครื่องมือไฟฟ้าที่มีเครื่องหมาย 230 โวลต์ สามารถใช้งานกับ 220 โวลต์ ได้ด้วย**

การปรับทิศทางการหมุน (รูปภาพประกอบ G-H) (GSB 13 RE / GSB 16 RE)

- ▶ **ใช้งานสวิทช์เปลี่ยนทิศทางการหมุน (5) เมื่อเครื่องมือไฟฟ้าหยุดสนิทเท่านั้น**

ท่านสามารถเปลี่ยนทิศทางการหมุนของเครื่องมือไฟฟ้าได้ด้วยสวิทช์เปลี่ยนทิศทางการหมุน (5) อย่างไรก็ตาม หากสวิทช์เปิด-ปิด (7) ถูกกดอยู่ จะกลับทิศทางการหมุนไม่ได้

การหมุนทางขวา: สำหรับการเจาะและการขันสกรูเข้า ให้ดันสวิทช์เปลี่ยนทิศทางการหมุน (5) ทางด้านซ้ายลงด้านล่าง และในเวลาเดียวกันให้ดันสวิทช์ทางด้านขวาขึ้นด้านบน

การหมุนทางซ้าย: สำหรับการคลายและการขันสกรูและน็อตดอก ให้ดันสวิทช์เปลี่ยนทิศทางการหมุน (5) ทางด้านซ้ายขึ้นด้านบน และในเวลาเดียวกันดันสวิทช์ทางด้านขวาลงด้านล่าง

การตั้งใหม่การทำงาน



การเจาะและการขันสกรู

ตั้งสวิทช์ปรับ (4) ไว้ที่สัญลักษณ์ "การเจาะ"



การเจาะกระแทก

ตั้งสวิทช์ปรับ (4) ไว้ที่สัญลักษณ์ "การเจาะกระแทก"

สวิทช์ปรับ (4) จะขบเข้าอย่างเห็นได้ชัดและยังสามารถสับได้ขณะเครื่องกำลังเดินอยู่

การเปิด-ปิดเครื่อง

สตาร์ทเครื่องมือไฟฟ้าโดยกดสวิตช์เปิด-ปิด (7) และกดค้างไว้

ล็อคสวิตช์เปิด-ปิด (7) ที่กดค้างไว้โดยกดปุ่มล็อค (6)

ปิดเครื่องโดยปล่อยนิ้วจากสวิตช์เปิด-ปิด (7) หรือในกรณีที่ถูกล็อคด้วยปุ่มล็อค (6) อยู่ ให้กดสวิตช์เปิด-ปิด (7) สั้นๆ และปล่อยนิ้ว

การปรับความเร็วรอบ/ความเร็วกระแทก (GSB 13 RE/ GSB 16 RE)

ท่านสามารถปรับความเร็วรอบ/ความเร็วกระแทกของเครื่องมือไฟฟ้าที่เปิดสวิตช์ข้อยู่ได้อย่างต่อเนื่องตามแรงกดมากขึ้นหรือน้อยบนสวิตช์เปิด-ปิด (7)

การกดสวิตช์เปิด-ปิด (7) เบาจะได้ความเร็วรอบ/ความเร็วกระแทกต่ำ การกดสวิตช์แรงยิ่งขึ้นจะได้ความเร็วรอบ/ความเร็วกระแทกเพิ่มขึ้น

การตั้งความเร็วรอบ/ความเร็วกระแทกล่วงหน้า (GSB 16 RE)

ความเร็วรอบ/ความเร็วกระแทกที่ต้องการสามารถตั้งล่วงหน้าได้ด้วยปุ่มตั้งความเร็วรอบล่วงหน้า (8) และตั้งได้แม้ขณะเครื่องกำลังเดินอยู่

ความเร็วรอบ/ความเร็วกระแทกที่ต้องใช้ขึ้นอยู่กับประเภทวัสดุและเงื่อนไขการทำงาน และสามารถกำหนดได้จากการทดลองฝึกปฏิบัติ

ข้อแนะนำในการทำงาน

- ▶ **ดึงปลั๊กไฟออกจากเต้าเสียบก่อนปรับแต่งเครื่อง**
- ▶ **จับเครื่องมือไฟฟ้าเข้านพัสกร/น็อคเมื่อเครื่องปิดอยู่เท่านั้น** เครื่องมือที่หมุนอยู่อาจลื่นไถล

หลังจากทำงานที่ความเร็วรอบต่ำเป็นเวลานาน ท่านควรเดินเครื่องมือไฟฟ้าตัวเปล่าที่ความเร็วสูงสุดเป็นเวลาประมาณ 3 นาทีเพื่อให้เครื่องเย็นลง

เมื่อต้องการเจาะกระเบื้อง ให้สับสวิตช์ปรับ (4) ไปที่สัญลักษณ์ "เจาะ" หลังจากเจาะทะลุกระเบื้องแล้ว ให้สับสวิตช์ปรับไปที่สัญลักษณ์ "เจาะกระแทก" และทำงานด้วยการกระแทก

เมื่อเจาะคอนกรีต หิน และงานก่ออิฐ ต้องใช้ดอกสว่านที่ทำจากโลหะแข็ง

ให้ใช้เฉพาะดอกสว่าน HSS (HSS = high-speed steel) ที่ลับคมอย่างดีสำหรับเจาะโลหะ โพรแกรม-อุปกรณ์ประกอบ-Bosch รับประกันคุณภาพที่เหมาะสม

ท่านสามารถลับคมดอกสว่านเกลียวชนิดขนาดเส้นผ่าศูนย์กลาง 2.5-10 มม. ได้อย่างง่ายดายด้วยอุปกรณ์ลับดอกสว่าน (อุปกรณ์ประกอบ)

การบำรุงรักษาและการบริการ

การบำรุงรักษาและการทำความสะอาด

- ▶ **ดึงปลั๊กไฟออกจากเต้าเสียบก่อนปรับแต่งเครื่อง**
- ▶ **เพื่อให้ทำงานได้อย่างถูกต้องและปลอดภัย ต้องรักษาเครื่องและช่องระบายอากาศให้สะอาดอยู่เสมอ**

หากจำเป็นต้องเปลี่ยนสายไฟฟ้า ต้องส่งเครื่องให้ Bosch หรือศูนย์บริการหลังการขายที่ได้รับมอบหมายสำหรับเครื่องมือไฟฟ้า Bosch เปลี่ยนให้ ทั้งนี้เพื่อหลีกเลี่ยงอันตราย

การบริการหลังการขายและการให้คำปรึกษาการใช้งาน

ศูนย์บริการหลังการขายของเรายินดีตอบคำถามของท่านที่เกี่ยวกับการบำรุงรักษาและการซ่อมแซมผลิตภัณฑ์รวมทั้งเรื่องอะไหล่ ภาพเขียนแบบการประกอบและข้อมูลเกี่ยวกับอะไหล่ กรุณาดูใน: www.bosch-pt.com

ทีมงานที่ปรึกษาของ บอช ยินดีให้ข้อมูลเกี่ยวกับผลิตภัณฑ์ของเราและอุปกรณ์ประกอบต่างๆ

เมื่อต้องการสอบถามและสั่งซื้ออะไหล่ กรุณาแจ้งหมายเลขสินค้า 10 หลักบนแผ่นป้ายรุ่นของผลิตภัณฑ์ทุกครั้ง

ไทย

ไทย บริษัท โรเบิร์ต บอช จำกัด

เอพวยไอ เซ็นเตอร์ อาคาร 1 ชั้น 5

เลขที่ 2525 ถนนพระราม 4

แขวงคลองเตย เขตคลองเตย กรุงเทพฯ 10110

โทร: +66 2012 8888

แฟกซ์: +66 2064 5800

www.bosch.co.th

ศูนย์บริการซ่อมและฝึกอบรม บอช

อาคาร ลานชาลาทาวเวอร์ ชั้น G ห้องเลขที่ 2

บ้านเลขที่ 10/11 หมู่ 16

ถนนศรีนครินทร์ ตำบลบางแก้ว อำเภอบางพลี

จังหวัดสมุทรปราการ 10540

ประเทศไทย

โทรศัพท์ 02 7587555

โทรสาร 02 7587525

สามารถดูที่อยู่ศูนย์บริการอื่นๆ ได้ที่:

www.bosch-pt.com/serviceaddresses

การกำจัดขยะ

เครื่องมือไฟฟ้า อุปกรณ์ประกอบ และที่บ่อ ต้องนำไปแยกประเภทวัสดุเพื่อการรีไซเคิลที่เป็นมิตรต่อสิ่งแวดล้อม



อย่าทิ้งเครื่องมือไฟฟ้าลงในขยะครัวเรือน!

Bahasa Indonesia

Petunjuk Keselamatan

Petunjuk keselamatan umum untuk perkakas listrik

⚠ PERINGATAN Baca semua peringatan, petunjuk, ilustrasi, dan spesifikasi keselamatan yang diberikan bersama perkakas listrik ini. Kesalahan dalam menjalankan petunjuk di bawah ini dapat mengakibatkan sengatan listrik, kebakaran, dan/atau cedera serius.

Simpanlah semua peringatan dan petunjuk untuk penggunaan di masa mendatang.

Istilah "perkakas listrik" dalam peringatan mengacu pada perkakas listrik yang dioperasikan dengan listrik (menggunakan kabel) atau perkakas listrik yang dioperasikan dengan baterai (tanpa kabel).

Keamanan tempat kerja

- ▶ **Jaga kebersihan dan pencahayaan area kerja.** Area yang berantakan atau gelap dapat memicu kecelakaan.
- ▶ **Jangan mengoperasikan perkakas listrik di lingkungan yang dapat memicu ledakan, seperti adanya cairan, gas, atau debu yang mudah terbakar.** Perkakas listrik dapat memancarkan bunga api yang kemudian mengakibatkan debu atau uap terbakar.
- ▶ **Jauhkan dari jangkauan anak-anak dan pengamat saat mengoperasikan perkakas listrik.** Gangguan dapat menyebabkan hilangnya kendali.

Keamanan listrik

- ▶ **Steker perkakas listrik harus sesuai dengan stopkontak.** Jangan pernah memodifikasi steker. Jangan menggunakan steker adaptor bersama dengan perkakas listrik yang terhubung dengan sistem grounding. Steker yang tidak dimodifikasi dan stopkontak yang cocok akan mengurangi risiko sengatan listrik.
- ▶ **Hindari kontak badan dengan permukaan yang terhubung dengan sistem grounding, seperti pipa, radiator, kompor, dan lemari es.** Terdapat peningkatan risiko terjadinya sengatan listrik jika badan Anda terhubung dengan sistem grounding.
- ▶ **Perkakas listrik tidak boleh terpapar hujan atau basah.** Air yang masuk ke dalam perkakas listrik menambah risiko terjadinya sengatan listrik.
- ▶ **Jangan menyalahgunakan kabel.** Jangan gunakan kabel untuk membawa, menarik, atau melepas steker

perkakas listrik. Jauhkan kabel dari panas, minyak, tepi yang tajam, atau komponen yang bergerak. Kabel listrik yang rusak atau tersangkut menambah risiko terjadinya sengatan listrik.

- ▶ **Saat mengoperasikan perkakas listrik di luar ruangan, gunakan kabel ekstensi yang sesuai untuk penggunaan di luar ruangan.** Penggunaan kabel yang cocok untuk pemakaian di luar ruangan mengurangi risiko terjadinya sengatan listrik.
- ▶ **Jika perkakas listrik memang harus dioperasikan di tempat yang lembap, gunakan pemutus arus listrik residu (RCD).** Penggunaan RCD akan mengurangi risiko terjadinya sengatan listrik.

Keselamatan personel

- ▶ **Tetap waspada, perhatikan aktivitas yang sedang dikerjakan dan gunakan akal sehat saat mengoperasikan perkakas listrik. Jangan gunakan perkakas listrik saat mengalami kelelahan atau di bawah pengaruh narkoba, alkohol, atau obat-obatan.** Jika perkakas listrik dioperasikan dengan daya konsentrasi yang rendah, hal tersebut dapat menyebabkan cedera serius.
- ▶ **Gunakan peralatan pelindung diri. Selalu kenakan pelindung mata.** Penggunaan perlengkapan pelindung seperti penutup telinga, helm, sepatu anti licin, dan masker debu akan mengurangi cedera.
- ▶ **Hindari start yang tidak disengaja. Pastikan switch berada di posisi off sebelum perkakas listrik dihubungkan ke sumber daya listrik dan/atau baterai, diangkat, atau dibawa.** Membawa perkakas listrik dengan jari menempel pada tombol atau perkakas listrik dalam keadaan hidup dapat memicu kecelakaan.
- ▶ **Singkirkan kunci penyetel atau kunci pas sebelum menghidupkan perkakas listrik.** Perkakas atau kunci pas yang masih menempel pada komponen perkakas listrik yang berputar dapat menyebabkan cedera.
- ▶ **Jangan melampaui batas. Berdirilah secara mantap dan selalu jaga keseimbangan.** Hal ini akan memberikan kontrol yang lebih baik terhadap perkakas listrik pada situasi yang tak terduga.
- ▶ **Kenakan pakaian dengan wajar. Jangan mengenakan perhiasan atau pakaian yang longgar. Jauhkan rambut dan pakaian dari komponen yang bergerak.** Pakaian yang longgar, rambut panjang, atau perhiasan dapat tersangkut dalam komponen yang bergerak.
- ▶ **Jika disediakan perangkat untuk sambungan pengisapan debu dan alat pengumpulan, pastikan perangkat tersebut terhubung dan digunakan dengan benar.** Penggunaan alat pengumpulan dapat mengurangi bahaya yang disebabkan oleh debu.
- ▶ **Jangan berpuas diri dan mengabaikan prinsip keselamatan karena terbiasa mengoperasikan perkakas.** Tindakan yang kurang hati-hati dapat mengakibatkan cedera serius dalam waktu sepersekian detik.

Penggunaan dan pemeliharaan perkakas listrik

- ▶ **Jangan memaksakan perkakas listrik.** Gunakan perkakas listrik yang sesuai untuk pekerjaan yang dilakukan. Perkakas listrik yang sesuai akan bekerja dengan lebih baik dan aman sesuai tujuan penggunaan.
- ▶ **Jangan gunakan perkakas listrik dengan switch yang tidak dapat dioperasikan.** Perkakas listrik yang switchnya yang tidak berfungsi dapat menimbulkan bahaya dan harus diperbaiki.
- ▶ **Lepaskan steker dari sumber listrik dan/atau lepas baterai, jika dapat dilepaskan dari perkakas listrik sebelum menyatel, mengganti aksesoris, atau menyimpan perkakas listrik.** Tindakan preventif akan mengurangi risiko menghidupkan perkakas listrik secara tidak disengaja.
- ▶ **Jauhkan dan simpan perkakas listrik dari jangkauan anak-anak dan jangan biarkan orang-orang yang tidak mengetahui cara menggunakan perkakas listrik, mengoperasikan perkakas listrik.** Perkakas listrik dapat membahayakan jika digunakan oleh orang-orang yang tidak terlatih.
- ▶ **Lakukan pemeliharaan perkakas listrik dan aksesoris.** Periksa komponen yang bergerak apabila tidak lurus atau terikat, kerusakan komponen, dan kondisi lain yang dapat mengganggu pengoperasian perkakas listrik. Apabila rusak, perbaiki perkakas listrik sebelum digunakan. Kecelakaan sering terjadi karena perkakas listrik tidak dirawat dengan baik.
- ▶ **Jaga ketajaman dan kebersihan alat.** Alat pemotong dengan pisau pemotong yang tajam dan dirawat dengan baik tidak akan mudah tersangkut dan lebih mudah dikendalikan.
- ▶ **Gunakan perkakas listrik, aksesoris, dan komponen perkakas dll sesuai dengan petunjuk ini, dengan mempertimbangkan kondisi kerja dan pekerjaan yang akan dilakukan.** Penggunaan perkakas listrik untuk tujuan berbeda dari fungsinya dapat menyebabkan situasi yang berbahaya.
- ▶ **Jaga gagang dan permukaan genggam agar tetap kering, bersih, dan bebas dari minyak dan lemak.** Gagang dan permukaan genggam yang licin tidak menjamin keamanan kerja dan kontrol alat yang baik pada situasi yang tidak terduga.

Servis

- ▶ **Minta teknisi berkualifikasi untuk menyervis perkakas listrik dengan hanya menggunakan suku cadang yang identik.** Dengan demikian, hal ini akan memastikan keamanan perkakas listrik.

Petunjuk Keselamatan untuk Mengebor

Petunjuk keselamatan untuk semua pengoperasian

- ▶ **Kenakan pemalut telinga ketika bekerja.** Suara bising alat dapat menyebabkan berkurangnya pendengaran.
- ▶ **Gunakan gagang tambahan.** Kehilangan kendali dapat menyebabkan cedera pribadi.

- ▶ **Pegang perkakas listrik pada permukaan gagang berisolator saat mengoperasikannya, aksesoris pemotong atau pengunci dapat bersentuhan dengan kabel yang tidak terlihat atau kabelnya sendiri.**

Aksesoris pemotong atau pengunci yang bersentuhan dengan kabel yang dialiri listrik dapat menyebabkan bagian logam perkakas listrik yang terbuka dialiri listrik sehingga pengguna dapat tersengat listrik.

Petunjuk keselamatan saat menggunakan mata bor panjang

- ▶ **Jangan pernah mengoperasikan alat dengan kecepatan yang lebih tinggi dari nilai kecepatan maksimal mata bor.** Pada kecepatan yang tinggi, mata bor akan membengkok jika berputar secara bebas tanpa menyentuh benda kerja dan dapat menyebabkan cedera terhadap pengguna.
- ▶ **Selalu hidupkan alat bor pada kecepatan rendah dengan ujung mata bor menyentuh benda kerja.** Pada kecepatan yang tinggi, mata bor akan membengkok jika berputar secara bebas tanpa menyentuh benda kerja dan dapat menyebabkan cedera terhadap pengguna.
- ▶ **Tekan hanya pada garis langsung dengan mata bor dan jangan tekan secara berlebihan.** Mata bor dapat membengkok dan menyebabkan kerusakan atau hilang kendali sehingga menyebabkan cedera terhadap pengguna.

Petunjuk Keselamatan tambahan

- ▶ **Segera matikan perkakas listrik jika alat tambahan terkunci. Bersiaplah dengan reaksi tinggi yang menyebabkan sentakan.** Alat tambahan akan terkunci jika perkakas listrik mengalami kelebihan beban atau perkakas bergerak miring pada benda kerja.
- ▶ **Pegang perkakas listrik dengan kencang.** Saat mengencangkan dan mengendurkan obeng dapat terjadi reaksi torsi yang tinggi sesaat.
- ▶ **Gunakan alat kerja dengan aman.** Benda yang ditahan dalam alat pemegang atau baus lebih aman daripada benda yang dipegang dengan tangan.
- ▶ **Gunakanlah alat detektor logam yang cocok untuk mencari kabel dan pipa yang tidak terlihat atau hubungi perusahaan pengadaan setempat.** Sentuhan dengan kabel-kabel listrik dapat mengakibatkan api dan kontak listrik. Pipa gas yang dirusak dapat mengakibatkan ledakan. Pipa air yang dirusak mengakibatkan kerusakan barang-barang atau dapat mengakibatkan kontak listrik.
- ▶ **Sebelum meletakkan perkakas listrik, tunggulah hingga perkakas berhenti berputar.** Alat kerja dapat tersangkut dan menyebabkan perkakas listrik tidak dapat dikendalikan.

Spesifikasi produk dan performa



Bacalah semua petunjuk keselamatan dan petunjuk penggunaan. Kesalahan dalam menjalankan petunjuk keselamatan dan petunjuk penggunaan dapat mengakibatkan

kontak listrik, kebakaran, dan/atau luka-luka yang berat. Perhatikan ilustrasi yang terdapat pada sisi sampul panduan pengoperasian.

Tujuan penggunaan

Perkakas listrik ini cocok untuk pengeboran impact pada batu bata, beton dan batu serta untuk pengeboran pada kayu, logam dan bahan sintetis. Perangkat dengan kontrol elektronik dan putaran ke kanan/kiri juga cocok untuk penyekrupan dan pemotongan ulir untuk sekrup.

Ilustrasi komponen

Nomor-nomor dari bagian-bagian perkakas pada gambar sesuai dengan gambar perkakas listrik pada halaman bergambar.

- (1) Keyless chuck^{A)}
- (2) Selongsong depan
- (3) Selongsong belakang
- (4) Switch selektor "Pengeboran/pengeboran impact"
- (5) Switch arah putaran (GSB 13 RE/GSB 16 RE)

- (6) Tombol pengunci untuk tombol on/off
- (7) Tombol on/off
- (8) Roda untuk penyetelan awal kecepatan putaran (GSB 16 RE)
- (9) Gagang tambahan (permukaan genggam berisolator)^{A)}
- (10) Alat pengatur kedalaman^{A)}
- (11) Gagang (permukaan genggam berisolator)
- (12) Kunci chuck bor^{A)}
- (13) Chuck bor bergerigi^{A)}
- (14) Dudukan bit universal^{A)}
- (15) Mata obeng^{A)}
- (16) Kunci L^{A)B)}
- (17) Kunci pas^{A)B)}

A) Aksesori yang ada pada gambar atau yang dijelaskan tidak termasuk dalam lingkup pengiriman standar. Semua aksesori yang ada dapat Anda lihat dalam program aksesori kami.

B) Standar (tidak termasuk dalam lingkup pengiriman)

Data teknis

| Impact drill | | GSB 13 | GSB 13 RE | GSB 16 | GSB 16 RE |
|--|-------------------|---------------|---------------|---------------|---------------|
| Nomor seri | | 3 601 B27 0.. | 3 601 B27 1.. | 3 601 B28 0.. | 3 601 B28 1.. |
| Input daya nominal | W | 650 | 650 | 750 | 750 |
| Daya output | W | 353 | 353 | 456 | 456 |
| Kecepatan idle | min ⁻¹ | 3 150 | 3 150 | 3 250 | 3 250 |
| Tingkat getaran | min ⁻¹ | 47 000 | 47 000 | 48 500 | 48 500 |
| Torsi nominal | Nm | 1,8 | 1,8 | 2,1 | 2,1 |
| Pemilihan awal kecepatan putaran | | – | – | – | ● |
| Arah putaran ke kanan/kiri | | – | ● | – | ● |
| Diameter leher spindel | mm | 43 | 43 | 43 | 43 |
| Ø (diameter) pengeboran maks. | | | | | |
| – Beton | mm | 13 | 13 | 16 | 16 |
| – Baja | mm | 10 | 10 | 12 | 12 |
| – Kayu | mm | 20 | 20 | 25 | 25 |
| Rentang penjepitan chuck bor | mm | 1,5–13 | 1,5–13 | 1,5–13 | 1,5–13 |
| Berat sesuai dengan EPTA-Procedure 01:2014 | kg | 1,6 | 1,6 | 1,8 | 1,8 |
| Klasifikasi keamanan | | □/II | □/II | □/II | □/II |

Data-data berlaku untuk tegangan nominal [U] 230 V. Pada tegangan yang lebih rendah dan pada model khusus mancanegara data-data ini bisa berlainan.

Cara memasang

- Sebelum mulai dengan pekerjaan pada perkakas listrik, tariklah steker dari stopkontak.

Gagang tambahan (lihat gambar A)

- Gunakan perkakas listrik hanya dengan gagang tambahan (9).

Gagang tambahan (9) dapat digerakkan ke arah mana saja sesuai keinginan untuk memungkinkan posisi kerja yang aman dan tidak menyulitkan.

Putar bagian bawah gagang tambahan **(9)** berlawanan arah jarum jam dan pasang pembatas kedalaman **(10)**.

Tarik pembatas kedalaman hingga jarak antara ujung mata bor dan ujung pembatas kedalaman sesuai dengan kedalaman pengeboran **X** yang diinginkan.

Setelah itu, putar dan kencangkan kembali bagian bawah gagang tambahan **(9)** searah jarum jam.

Permukaan yang menonjol pada pembatas kedalaman **(10)** harus menghadap ke atas.

Mengganti alat

Keyless chuck (lihat gambar B)

Tahan selongsong belakang **(3)** keyless chuck **(1)** lalu putar selongsong depan **(2)** ke arah **⌚** hingga alat dapat dipasang. Pasang alat.

Tahan selongsong belakang **(3)** keyless chuck **(1)** lalu putar selongsong depan **(2)** ke arah **⌚** dengan kuat menggunakan tangan hingga tidak terdengar lagi tekanan. Kepala bor terkunci secara otomatis.

Penguncian akan terbuka kembali, jika selongsong depan diputar **(2)** ke arah yang berlawanan untuk melepaskan alat kerja.

Chuck bor bergerigi (lihat gambar C)

► **Pakai sarung tangan pelindung saat mengganti alat sisipan.** Chuck bor bisa menjadi sangat panas jika digunakan dalam waktu yang lama.

Buka chuck bor bergerigi **(13)** dengan memutarnya hingga alat dapat dipasang. Pasang alat.

Pasang kunci chuck **(12)** ke dalam lubang chuck bor bergerigi **(13)** yang sesuai dan kencangkan alat secara merata.

Obeng (lihat gambar D)

Saat menggunakan mata obeng **(15)** gunakan selalu dudukan bit universal **(14)**. Hanya gunakan mata obeng yang sesuai dengan kepala sekrup.

Untuk menyekrup, selalu atur switch "pengeboran/impact drilling" **(4)** ke simbol "pengeboran".

Mengganti chuck bor

► **Sebelum mulai dengan pekerjaan pada perkakas listrik, tariklah steker dari stopkontak.**

Melepas chuck bor (lihat gambar E)

Untuk melepas keyless chuck **(1)**, kencangkan kunci L **(16)** di dalam keyless chuck **(1)** lalu posisikan kunci pas **(17)** (Ukuran kunci pas 14) ke kunci spindel penggerak.

Letakkan perkakas listrik di tempat yang stabil, misalnya di atas meja kerja.

Tahan kunci pas **(17)** dan lepaskan keyless chuck **(1)** dengan memutar kunci L **(16)** ke arah **⌚**. Keyless chuck yang terpasang akan dilepas dengan sentakan ringan pada poros panjang kunci L **(16)**.

Lepaskan kunci L dari keyless chuck lalu lepaskan keyless chuck seluruhnya.

Lepas chuck bor bergerigi **(13)** dengan cara yang sama seperti yang dijelaskan untuk keyless chuck.

Memasang chuck bor (lihat gambar F)

Pemasangan keyless chuck/keyless chuck dengan cincin pengunci/chuck bor bergerigi dilakukan dalam urutan terbalik.



Chuck bor harus dikencangkan dengan torsi pengencangan sekitar 33–39 Nm.

Ekstraksi debu/serbuk

Debu dari bahan-bahan seperti cat yang mengandung timbel (timah hitam), beberapa jenis kayu, bahan mineral dan logam dapat berbahaya bagi kesehatan. Menyentuh atau menghirup debu-debu ini dapat mengakibatkan reaksi alergi dan/atau penyakit saluran pernapasan pada pengguna atau orang yang berada di dekatnya.

Beberapa debu tertentu seperti debu kayu pohon quercus atau pohon fagus silvatica dianggap dapat mengakibatkan penyakit kanker, terutama dalam campuran dengan bahan-bahan tambahan untuk pengolahan kayu (kromat, obat pengawet kayu). Bahan-bahan yang mengandung asbestos hanya boleh dikerjakan oleh orang-orang yang ahli.

- Perhatikanlah supaya ada pertukaran udara yang baik di tempat kerja.
- Kami anjurkan Anda memakai masker anti debu dengan filter kelas P2.

Taatilah peraturan-peraturan untuk bahan-bahan yang dikerjakan yang berlaku di negara Anda.

► **Hindari debu yang banyak terkumpul di tempat kerja.** Debu dapat tersulut dengan mudah.

Penggunaan

Cara penggunaan

► **Perhatikan tegangan listrik! Tegangan jaringan listrik harus sesuai dengan tegangan listrik yang tercantum pada label tipe perkakas listrik. Perkakas listrik dengan daya sebesar 230 V seperti yang diindikasikan pada label dapat juga dioperasikan pada daya 220 V.**

Mengatur arah putaran (lihat gambar G–H)
(GSB 13 RE/GSB 16 RE)

► **Tekan switch arah putaran (5) hanya saat perkakas listrik tidak beroperasi.**

Arah putaran perkakas listrik dapat diubah dengan switch pengubah arah **(5)**. Hal tersebut tidak dapat dilakukan jika tombol on/off **(7)** ditekan.

Putaran ke kanan: Untuk mengebor dan memasang sekrup, geser switch arah putaran **(5)** pada sisi kiri ke atas dan switch pada sisi kanan ke bawah secara bersamaan.

Putaran ke kiri: Untuk melonggarkan dan melepaskan sekrup dan mur, geser switch arah putaran **(5)** pada sisi kiri ke bawah dan switch pada sisi kanan ke atas secara bersamaan.

Menyetel mode pengoperasian



Mengebor dan menyekrup

Atur switch **(4)** ke simbol "pengeboran".



Pengeboran impact

Atur switch **(4)** ke simbol "pengeboran impact".

Switch **(4)** akan terasa terkunci dan switch dapat dijalankan saat mesin sedang beroperasi.

Mengaktifkan/menonaktifkan perkakas listrik

Untuk **menggunakan pertama kali** perkakas listrik, tekan dan tahan tombol on/off **(7)**.

Untuk **mengunci** tombol on/off yang ditekan, **(7)** tekan tombol pengunci **(6)**.

Untuk **menonaktifkan** perkakas listrik, lepaskan tombol on/off **(7)** jika tombol dikunci dengan tombol pengunci **(6)**, tekan singkat tombol on/off **(7)** dan lepaskan.

Mengatur kecepatan putaran/nominal getaran (GSB 13 RE/GSB 16 RE)

Kecepatan putaran/nominal getaran pada perkakas listrik yang dihidupkan dapat disetel terus-menerus tergantung seberapa lama tombol on/off **(7)** ditekan.

Jika tombol on/off **(7)** ditekan singkat, kecepatan putaran/nominal getaran akan menjadi rendah. Jika tombol ditekan lama, kecepatan putaran/nominal getaran bertambah pula.

Memilih kecepatan putaran/nominal getaran (GSB 16 RE)

Dengan roda untuk pemilihan awal kecepatan **(8)**, kecepatan putaran/nominal getaran yang diperlukan juga dapat disetel selama pengoperasian.

Kecepatan putaran/nominal getaran yang diperlukan tergantung dari bahan yang dikerjakan dan kondisi pekerjaan dan bisa ditentukan dengan melakukan uji coba.

Petunjuk pengoperasian

- ▶ **Sebelum mulai dengan pekerjaan pada perkakas listrik, tariklah steker dari stopkontak.**
- ▶ **Pasang perkakas listrik pada mur/sekrup hanya saat dalam keadaan mati.** Alat sisipan yang berputar dapat tergelincir.

Setelah digunakan dalam waktu yang lama dengan kecepatan rendah, biarkan perkakas listrik beroperasi dengan putaran maksimal pada kecepatan idle sekitar 3 menit agar menjadi dingin.

Untuk mengebor ubin, setel switch **(4)** pada simbol "pengeboran". Baru setelah ubin dibor, setel switch pada simbol "impact drilling" dan lanjutkan pekerjaan mengebor. Jika mengerjakan beton, batu-batuan dan tembok, pakailah mata bor baja intan.

Hanya gunakan mata bor HSS yang telah diasah (HSS=high performance superspeed steel) untuk melakukan pengeboran logam. Kualitas dijamin oleh program aksesori **Bosch**.

Dengan alat pengasah mata bor (aksesori), bor berbentuk spiral dengan diameter 2,5–10 mm dapat diasah dengan mudah.

Perawatan dan servis

Perawatan dan pembersihan

- ▶ **Sebelum mulai dengan pekerjaan pada perkakas listrik, tariklah steker dari stopkontak.**
- ▶ **Perkakas listrik dan lubang ventilasi harus selalu dibersihkan agar perkakas dapat digunakan dengan baik dan aman.**

Jika kabel listrik harus diganti, pekerjaan ini harus dilakukan oleh **Bosch** atau Service Center untuk perkakas listrik **Bosch** resmi agar keselamatan kerja selalu terjamin.

Layanan pelanggan dan konsultasi penggunaan

Layanan pelanggan Bosch menjawab semua pertanyaan Anda tentang reparasi dan perawatan serta tentang suku cadang produk ini. Gambaran teknis (exploded view) dan informasi mengenai suku cadang dapat ditemukan di:

www.bosch-pt.com

Tim konsultasi penggunaan Bosch akan membantu Anda menjawab pertanyaan seputar produk kami beserta aksesorinya.

Jika Anda hendak menanyakan sesuatu atau memesan suku cadang, selalu sebutkan nomor model yang terdiri dari 10 angka dan tercantum pada label tipe produk.

Indonesia

PT Robert Bosch
Palma Tower 10th Floor
Jalan RA Kartini II-S Kaveling 6
Pondok Pinang, Kebayoran Lama
Jakarta Selatan 12310
Tel.: (021) 3005 5800
Fax: (021) 3005 5801
E-Mail: boschpowertools@id.bosch.com
www.bosch-pt.co.id

Alamat layanan lainnya dapat ditemukan di:

www.bosch-pt.com/serviceaddresses

Cara membuang

Perkakas listrik, aksesori, dan kemasan sebaiknya didaur ulang secara ramah lingkungan.



Jangan membuang perkakas listrik ke dalam sampah rumah tangga!

Tiếng Việt

Hướng dẫn an toàn

Hướng dẫn an toàn chung cho dụng cụ điện

⚠ CẢNH BÁO Hãy đọc toàn bộ các cảnh báo an toàn, hướng dẫn, hình ảnh và thông số kỹ thuật được cung cấp cho dụng cụ điện cầm tay này. Không tuân thủ mọi hướng dẫn được liệt kê dưới đây có thể bị điện giật, gây cháy và /hay bị thương tật nghiêm trọng. **Hãy giữ tất cả tài liệu về cảnh báo và hướng dẫn để tham khảo về sau.**

Thuật ngữ "dụng cụ điện cầm tay" trong phần cảnh báo là để cập đến sự sử dụng dụng cụ điện cầm tay của bạn, loại sử dụng điện nguồn (có dây cắm điện) hay vận hành bằng pin (không dây cắm điện).

Khu vực làm việc an toàn

- ▶ **Giữ nơi làm việc sạch và đủ ánh sáng.** Nơi làm việc bừa bộn và tối tăm dễ gây ra tai nạn.
- ▶ **Không vận hành dụng cụ điện cầm tay trong môi trường dễ gây nổ, chẳng hạn như nơi có chất lỏng dễ cháy, khí đốt hay rác.** Dụng cụ điện cầm tay tạo ra các tia lửa nên có thể làm rác bén cháy hay bốc khói.
- ▶ **Không để trẻ em hay người đến xem đứng gần khi vận hành dụng cụ điện cầm tay.** Sự phân tâm có thể gây ra sự mất điều khiển.

An toàn về điện

- ▶ **Phích cắm của dụng cụ điện cầm tay phải thích hợp với ổ cắm.** Không bao giờ được cải biến lại phích cắm dưới mọi hình thức. Không được sử dụng phích tiếp hợp nối tiếp đất (dây mát). Phích cắm nguyên bản và ổ cắm đúng loại sẽ làm giảm nguy cơ bị điện giật.
- ▶ **Tránh không để thân thể tiếp xúc với đất hay các vật có bề mặt tiếp đất như đường ống, lò sưởi, hàng rào và tủ lạnh.** Có nhiều nguy cơ bị điện giật hơn nếu cơ thể bạn bị tiếp hay nối đất.
- ▶ **Không được để dụng cụ điện cầm tay ngoài mưa hay ở tình trạng ẩm ướt.** Nước vào máy sẽ làm tăng nguy cơ bị điện giật.
- ▶ **Không được lạm dụng dây dẫn điện.** Không bao giờ được nắm dây dẫn để xách, kéo hay rút phích cắm dụng cụ điện cầm tay. Không để dây gần nơi có nhiệt độ cao, dầu nhớt, vật nhọn bén và bộ phận chuyển động. Làm hỏng hay cuộn rối dây dẫn làm tăng nguy cơ bị điện giật.
- ▶ **Khi sử dụng dụng cụ điện cầm tay ngoài trời, dùng dây nối thích hợp cho việc sử dụng ngoài trời.** Sử dụng dây nối thích hợp cho việc sử dụng ngoài trời làm giảm nguy cơ bị điện giật.

- ▶ **Nếu việc sử dụng dụng cụ điện cầm tay ở nơi ẩm ướt là không thể tránh được, dùng thiết bị ngắt mạch tự động (RCD) bảo vệ nguồn.** Sử dụng thiết bị ngắt mạch tự động RCD làm giảm nguy cơ bị điện giật.

An toàn cá nhân

- ▶ **Hãy tỉnh táo, biết rõ mình đang làm gì và hãy sử dụng ý thức khi vận hành dụng cụ điện cầm tay.** Không sử dụng dụng cụ điện cầm tay khi đang mệt mỏi hay đang bị tác động do chất gây nghiện, rượu hay được phẫn gây ra. Một thoáng mất tập trung khi đang vận hành dụng cụ điện cầm tay có thể gây thương tích nghiêm trọng cho bản thân.
 - ▶ **Sử dụng trang bị bảo hộ cá nhân.** Luôn luôn đeo kính bảo vệ mắt. Trang bị bảo hộ như khẩu trang, giày chống trượt, nón bảo hộ, hay dụng cụ bảo vệ tai khi được sử dụng đúng nơi đúng chỗ sẽ làm giảm nguy cơ thương tật cho bản thân.
 - ▶ **Phòng tránh máy khởi động bất ngờ.** Bảo đảm công tắc máy ở vị trí tắt trước khi cắm vào nguồn điện và/hay lắp pin vào, khi nhắc máy lên hay khi mang xách máy. Ngáng ngón tay vào công tắc máy để xách hay kích hoạt dụng cụ điện cầm tay khi công tắc ở vị trí mở dễ dẫn đến tai nạn.
 - ▶ **Lấy mọi chìa hay khóa điều chỉnh ra trước khi mở điện dụng cụ điện cầm tay.** Khóa hay chìa còn gắn dính vào bộ phận quay của dụng cụ điện cầm tay có thể gây thương tích cho bản thân.
 - ▶ **Không rướn người.** Luôn luôn giữ tư thế đứng thích hợp và thẳng bằng. Điều này tạo cho việc điều khiển dụng cụ điện cầm tay tốt hơn trong mọi tình huống bất ngờ.
 - ▶ **Trang phục thích hợp.** Không mặc quần áo rộng lụng thụng hay mang trang sức. Giữ tóc và quần áo xa khỏi các bộ phận chuyển động. Quần áo rộng lụng thụng, đồ trang sức hay tóc dài có thể bị cuốn vào các bộ phận chuyển động.
 - ▶ **Nếu có các thiết bị đi kèm để nối máy hút bụi và các phụ kiện khác, bảo đảm các thiết bị này được nối và sử dụng tốt.** Việc sử dụng các thiết bị gom hút bụi có thể làm giảm các độc hại liên quan đến bụi gây ra.
 - ▶ **Không để thói quen do sử dụng thường xuyên dụng cụ khiến bạn trở nên chủ quan và bỏ qua các quy định an toàn dụng cụ.** Một hành vi bất cẩn có thể gây ra thương tích nghiêm trọng chỉ trong tích tắc.
- Sử dụng và bảo dưỡng dụng cụ điện cầm tay**
- ▶ **Không được ép máy.** Sử dụng dụng cụ điện cầm tay đúng loại theo đúng ứng dụng của bạn. Dụng cụ điện cầm tay đúng chức năng sẽ

làm việc tốt và an toàn hơn theo đúng tiến độ mà máy được thiết kế.

- ▶ **Không sử dụng dụng cụ điện cầm tay nếu như công tắc không tắt và mở được.** Bất kỳ dụng cụ điện cầm tay nào mà không thể điều khiển được bằng công tắc là nguy hiểm và phải được sửa chữa.
- ▶ **Rút phích cắm ra khỏi nguồn điện và/hay pin ra khỏi dụng cụ điện cầm tay nếu có thể tháo được, trước khi tiến hành bất kỳ điều chỉnh nào, thay phụ kiện, hay cất dụng cụ điện cầm tay.** Các biện pháp ngăn ngừa như vậy làm giảm nguy cơ dụng cụ điện cầm tay khởi động bất ngờ.
- ▶ **Cất giữ dụng cụ điện cầm tay không dùng tới nơi trẻ em không lấy được và không cho người chưa từng biết dụng cụ điện cầm tay hay các hướng dẫn này sử dụng dụng cụ điện cầm tay.** Dụng cụ điện cầm tay nguy hiểm khi ở trong tay người chưa được chỉ cách sử dụng.
- ▶ **Bảo quản dụng cụ điện cầm tay và các phụ kiện.** Kiểm tra xem các bộ phận chuyển động có bị sai lệch hay kẹt, các bộ phận bị rạn nứt và các tình trạng khác có thể ảnh hưởng đến sự vận hành của máy. Nếu bị hư hỏng, phải sửa chữa máy trước khi sử dụng. Nhiều tai nạn xảy ra do bảo quản dụng cụ điện cầm tay tối.
- ▶ **Giữ các dụng cụ cắt bén và sạch.** Bảo quản đúng cách các dụng cụ cắt có cạnh cắt bén làm giảm khả năng bị kẹt và dễ điều khiển hơn.
- ▶ **Sử dụng dụng cụ điện cầm tay, phụ kiện, đầu cài v. v., đúng theo các chỉ dẫn này, hãy lưu ý đến điều kiện làm việc và công việc phải thực hiện.** Sự sử dụng dụng cụ điện cầm tay khác với mục đích thiết kế có thể tạo nên tình huống nguy hiểm.
- ▶ **Giữ tay cầm và bề mặt nắm luôn khô ráo, sạch sẽ và không dính dầu mỡ.** Tay cầm và bề mặt nắm trơn trượt không đem lại thao tác an toàn và kiểm soát dụng cụ trong các tình huống bất ngờ.

Bảo dưỡng

- ▶ **Đưa dụng cụ điện cầm tay của bạn đến thợ chuyên môn để bảo dưỡng, chỉ sử dụng phụ tùng đúng chủng loại để thay.** Điều này sẽ đảm bảo sự an toàn của máy được giữ nguyên.

Cảnh báo An toàn cho Máy khoan

Hướng dẫn an toàn cho mọi hoạt động

- ▶ **Đeo bảo vệ tai khi khoan động lực.** Tiếp xúc với tiếng ồn có thể làm mất khả năng nghe.
- ▶ **Sử dụng tay nắm phụ.** Mất điều khiển có thể gây ra thương tích cho người.
- ▶ **Cắm vào bề mặt cầm nắm cách điện của dụng cụ điện cầm tay khi thực hiện một thao**

tác tại vị trí phụ kiện cắt hoặc dụng cụ kẹp có thể tiếp xúc với dây điện ngầm hoặc dây nguồn của chính nó. Phụ kiện cắt hoặc dụng cụ kẹp tiếp xúc với dây "có điện" có thể làm cho các phần kim loại hở của dụng cụ điện cầm tay "có điện" và có thể gây ra điện giật cho người vận hành.

Hướng dẫn an toàn khi sử dụng các mũi khoan dài

- ▶ **Không vận hành ở tốc độ cao hơn tốc độ tối đa cho phép của mũi khoan.** Ở tốc độ cao hơn, mũi khoan có thể bị cong nếu cho phép xoay tự do mà không cho tiếp xúc với phôi gia công, dẫn đến thương tích cho người.
- ▶ **Luôn khởi động khoan ở tốc độ thấp và với đầu mũi khoan tiếp xúc với phôi gia công.** Ở tốc độ cao hơn, mũi khoan có thể bị cong nếu cho phép xoay tự do mà không cho tiếp xúc với phôi gia công, dẫn đến thương tích cho người.
- ▶ **Chỉ dùng áp lực vào đường trục tiếp bằng mũi khoan và không dùng áp lực dư.** Các mũi khoan có thể cong, gãy gãy hoặc mất kiểm soát, dẫn đến thương tích cho người.

Các cảnh báo phụ thêm

- ▶ **Tắt dụng cụ điện ngay nếu phụ tùng bị chặn.** Hãy chuẩn bị cho những mô-men phản ứng cao, mà gây ra sự dội ngược. Phụ tùng bị chặn, nếu dụng cụ điện bị quá tải hoặc bị kẹt trong phôi gia công cần gia công.
- ▶ **Giữ chặt dụng cụ điện.** Khi siết chặt và nới lỏng các vít, những mô-men phản ứng cao có thể xuất hiện trong thời gian ngắn.
- ▶ **Kẹp chặt vật gia công.** Vật gia công được kẹp bằng một thiết bị kẹp hay bằng ê-tô thì vững chắc hơn giữ bằng tay.
- ▶ **Dùng thiết bị dò tìm thích hợp để xác định nếu có các công trình công cộng lắp đặt ngầm trong khu vực làm việc hay liên hệ với Cty công trình công cộng địa phương để nhờ hỗ trợ.** Đụng chạm đường dẫn điện có thể gây ra hỏa hoạn và điện giật. Làm hư hại đường dẫn khí ga có thể gây nổ. Làm thủng đường dẫn nước gây hư hỏng tài sản hay có khả năng gây ra điện giật.
- ▶ **Luôn luôn đợi cho máy hoàn toàn ngừng hẳn trước khi đặt xuống.** Dụng cụ lắp vào máy có thể bị kẹp chặt dẫn đến việc dụng cụ điện cầm tay bị mất điều khiển.

Mô Tả Sản Phẩm và Đặc Tính Kỹ Thuật



Đọc kỹ mọi cảnh báo an toàn và mọi hướng dẫn. Không tuân thủ mọi cảnh báo và hướng dẫn được liệt kê dưới đây có thể bị điện giật, gây cháy và / hay bị thương tật nghiêm trọng.

Xin lưu ý các hình minh hoạt trong phần trước của hướng dẫn vận hành.

Sử dụng đúng cách

Máy khoan có chức năng đập được thiết kế để khoan gạch, bê-tông và đá, cũng như để khoan gỗ, kim loại và nhựa. Thiết bị được điều khiển bằng điện và có thể chạy xuôi/chạy ngược, rất phù hợp để bắt vít và cắt ren.

Các bộ phận được minh họa

Sự đánh số các biểu trưng của sản phẩm là để tham khảo hình minh họa của máy trên trang hình ảnh.

- (1) Đầu cặp mũi khoan tự động^{A)}
- (2) Khớp vòng ngoài
- (3) Khớp vòng trong
- (4) Công tắc "Khoan/khoan đập"
- (5) Gạc vận chuyển đổi chiều quay (GSB 13 RE/GSB 16 RE)

- (6) Nút khoá giữ chế độ tự-chạy của công tắc Tắt/Mở
- (7) Công tắc bật/tắt
- (8) Núm vận tốc độ nhíp chạy (GSB 16 RE)
- (9) Tay nắm phụ (có bề mặt nắm cách điện)^{A)}
- (10) Chốt chặn độ sâu^{A)}
- (11) Tay nắm (bề mặt nắm cách điện)
- (12) Khóa chốt kẹp mũi khoan^{A)}
- (13) Đầu cặp mũi khoan vành răng^{A)}
- (14) Ổng cặp mũi khoan vận năng^{A)}
- (15) Đầu chia vận vít^{A)}
- (16) Chia vận sáu cạnh^{A)B)}
- (17) Chia vận hình đĩa^{A)B)}

A) Phụ tùng được trình bày hay mô tả không phải là một phần của tiêu chuẩn hàng hóa được giao kèm theo sản phẩm. Bạn có thể tham khảo tổng thể các loại phụ tùng, phụ kiện trong chương trình phụ tùng của chúng tôi.

B) Thông thường (không bao gồm trong phạm vi giao hàng)

Thông số kỹ thuật

| Khoan Đập | | GSB 13 | GSB 13 RE | GSB 16 | GSB 16 RE |
|---|-------------------|----------------------|----------------------|----------------------|----------------------|
| Mã số máy | | 3 601 B27 0.. | 3 601 B27 1.. | 3 601 B28 0.. | 3 601 B28 1.. |
| Công suất vào danh định | W | 650 | 650 | 750 | 750 |
| Công suất ra | W | 353 | 353 | 456 | 456 |
| Tốc độ không tải | min ⁻¹ | 3 150 | 3 150 | 3 250 | 3 250 |
| Tần suất đập | min ⁻¹ | 47 000 | 47 000 | 48 500 | 48 500 |
| Lực vận danh định | Nm | 1,8 | 1,8 | 2,1 | 2,1 |
| Chọn trước tốc độ | | - | - | - | ● |
| Quay Phải/Trái | | - | ● | - | ● |
| Đường kính cổ trục | mm | 43 | 43 | 43 | 43 |
| Ø lỗ khoan tối đa | | | | | |
| - Bê-tông | mm | 13 | 13 | 16 | 16 |
| - Thép | mm | 10 | 10 | 12 | 12 |
| - Gỗ | mm | 20 | 20 | 25 | 25 |
| Phạm vi mâm cặp kẹp được | mm | 1,5-13 | 1,5-13 | 1,5-13 | 1,5-13 |
| Trọng lượng theo Qui trình EPTA-Procedure 01:2014 | kg | 1,6 | 1,6 | 1,8 | 1,8 |
| Cấp độ bảo vệ | | □/ | □/ | □/ | □/ |

Các giá trị đã cho có hiệu lực cho điện thế danh định [U] 230 V. Đối với điện thế thấp hơn và các loại máy dành riêng cho một số quốc gia, các giá trị này có thể thay đổi.

Sự lắp vào

- Trước khi tiến hành bất cứ việc gì trên máy, kéo phích cắm điện nguồn ra.

Tay nắm phụ (xem Hình A)

- Chỉ vận hành máy của bạn khi đã gắn tay nắm phụ (9).

Bạn có thể xoay tay nắm phụ (9) tùy ý, để có tư thế làm việc an toàn và ít mỏi.

Xoay phần tay cầm phía dưới của tay nắm phụ (9) ngược chiều kim đồng hồ và lắp chốt chặn độ sâu (10).

Kéo chốt chặn độ sâu ra xa sao cho khoảng cách giữa mũi khoan và đầu chốt chặn độ sâu phù hợp với độ sâu lỗ khoan mong muốn X.

Sau đó, vặn chặt lại tay cầm phía dưới của tay nắm phụ (9) theo chiều kim đồng hồ.

Rãnh trên chốt chặn độ sâu (10) phải hướng lên trên.

Thay Dụng Cụ

Đầu cặp mũi khoan tự động (xem Hình B)

Giữ chặt khớp vòng trong (3) của đầu cặp mũi khoan tự động (1) và xoay khớp vòng ngoài (2) theo hướng ❶ cho đến khi có thể lắp được dụng cụ. Lắp dụng cụ vào.

Giữ chặt khớp vòng trong (3) của đầu cặp mũi khoan tự động (1) và xoay khớp vòng ngoài bằng tay (2) theo hướng ❷ thật mạnh cho đến khi không còn nghe thấy tiếng clic nữa. Bằng cách đó, đầu cặp mũi khoan sẽ tự động được khóa.

Cơ cấu khóa sẽ mở ra khi bạn xoay khớp vòng ngoài (2) theo hướng ngược lại để tháo dụng cụ.

Đầu cặp mũi khoan vành răng (xem Hình C)

► Hãy mang găng tay bảo vệ khi thay dụng cụ.

Mâm cặp có thể trở nên rất nóng trong suốt thời gian dài liên tục hoạt động.

Hãy mở đầu cặp mũi khoan vành răng (13) bằng cách vặn cho đến khi có thể lắp được dụng cụ. Lắp dụng cụ vào.

Cắm khóa chốt kẹp mũi khoan (12) vào lỗ tương ứng của đầu cặp mũi khoan vành răng (13) và đồng thời kẹp chặt dụng cụ.

Dụng cụ vặn vít (xem Hình D)

Khi sử dụng đầu gài vặn vít (15), bạn cần phải dùng ống lồng đa năng (14). Chỉ sử dụng đầu gài vặn vít vừa với đầu vít.

Để vặn vít, hãy luôn giữ công tắc "Khoan/khoan đập" (4) ở biểu tượng "Khoan".

Thay đầu cặp mũi khoan

► Trước khi tiến hành bất cứ việc gì trên máy, kéo phích cắm điện nguồn ra.

Tháo mâm cặp khoan (xem Hình X E)

Để tháo đầu cặp mũi khoan tự động (1), hãy kẹp chia vặn lục giác (16) vào đầu cặp mũi khoan tự động (1) rồi đặt chia vặn điều chỉnh (17) (SW 14) vào mặt phẳng chia vặn của trục dẫn động.

Đặt dụng cụ điện lên một nền cố định, ví dụ kệ làm việc.

Hãy giữ chắc chia vặn điều chỉnh (17) và nới lỏng đầu cặp mũi khoan tự động (1) bằng cách xoay chia vặn lục giác (16) theo chiều ❶. Gỡ nhẹ vào thân

chia vặn (16) sẽ giúp đầu cặp mũi khoan tự động lỏng ra.

Tháo chia vặn lục giác ra khỏi đầu cặp mũi khoan tự động và tháo vít hoàn toàn cho đầu cặp mũi khoan tự động.

Việc tháo đầu cặp mũi khoan vành răng (13) sẽ được thực hiện một cách nhẹ nhàng giống như mô tả cho đầu cặp mũi khoan tự động.

Lắp mâm cặp khoan (xem Hình F)

Việc lắp đầu cặp mũi khoan tự động/đầu cặp mũi khoan tự động có vòng hãm/đầu cặp mũi khoan vành răng được thực hiện theo trình tự ngược lại.



Đầu cặp mũi khoan phải được xiết chặt bằng mô-men xoắn khoảng 33-39 Nm.

Hút Dăm/Bụi

Mạt bụi từ các vật liệu được sơn phủ ngoài có chứa chì trên một số loại gỗ, khoáng vật và kim loại có thể gây nguy hại đến sức khỏe con người. Đụng chạm hay hít thở các bụi này có thể làm người sử dụng hay đứng gần bị dị ứng và/hoặc gây nhiễm trùng hệ hô hấp.

Một số hạt bụi cụ thể, ví dụ như bụi gỗ sồi hay đầu, được xem là chất gây ung thư, đặc biệt là có liên quan đến các chất phụ gia dùng xử lý gỗ (chất liên quan đến các chất phụ gia dùng xử lý gỗ) (chất cromat, chất bảo quản gỗ). Có thể chỉ nên để thợ chuyên môn gia công các loại vật liệu có chứa amiăng.

- Tạo không khí thông thoáng nơi làm việc.
- Khuyến nghị nên mang mặt nạ phòng độc có bộ lọc cấp P2.

Tuân thủ các qui định của quốc gia bạn liên quan đến loại vật liệu gia công.

► Tránh không để rác tích tụ tại nơi làm việc. Rác có thể dễ dàng bắt lửa.

Vận Hành

Bắt Đầu Vận Hành

► Hãy cẩn thận với nguồn điện! Điện thế nguồn phải đúng với điện thế đã ghi rõ trên nhãn máy. Dụng cụ điện được ghi 230 V cũng có thể được vận hành ở 220 V.

Điều chỉnh hướng xoay (xem hình G–H) (GSB 13 RE / GSB 16 RE)

► Chỉ kích hoạt gạt vận chuyển đổi chiều quay (5) khi dụng cụ điện đã ngừng chạy.

Với gạt vận chuyển đổi chiều quay (5) bạn có thể thay đổi hướng xoay của dụng cụ điện. Tuy nhiên, việc này không thực hiện được khi công tắc Tắt/Mở được nhấn (7).

Quay phải: Để khoan và vặn vít, hãy đẩy đồng thời gạt vận chuyển đổi chiều quay (5) ở bên trái lên và ở bên phải xuống.

Quay trái: Để nối lòng hoặc tháo vít và đai ốc, hãy đẩy đồng thời gạt vận chuyển đổi chiều quay (5) ở bên trái xuống còn ở bên phải lên.

Chỉnh Đặt Phương Thức Hoạt Động



Khoan thường và bắt vít

Đặt công tắc (4) ở vị trí "Khoan".



Khoan xung động

Đặt công tắc (4) ở vị trí "Khoan đập".

Công tắc (4) vào khớp với một tiếng cách và có thể bấm khi mô tơ đang

chạy.

Bật/Tắt

Để vận hành thử dụng cụ điện hãy nhấn công tắc Tắt/Mở (7) và nhấn giữ.

Để khóa công tắc bật/tắt đã nhấn (7) hãy nhấn nút khóa giữ (6).

Để tắt dụng cụ điện, hãy nhả công tắc bật/tắt (7) hoặc nếu nó được khóa bằng nút khóa giữ (6), hãy nhấn nhanh công tắc bật/tắt (7) và nhả.

Điều chỉnh tốc độ/tần suất đập (GSB 13 RE/ GSB 16 RE)

Bạn có thể liên tục điều chỉnh tốc độ/tần suất đập của dụng cụ điện đang bật tùy theo mức độ bấm công tắc Tắt/Mở mạnh hay nhẹ (7).

Bấm nhẹ công tắc Tắt/Mở (7) sẽ cho tốc độ/tần suất đập thấp. Lực áp mạnh hơn lên công tắc làm tăng tốc độ và tần suất đập.

Chọn tốc độ quay/tần suất đập (GSB 16 RE)

Với núm vận tốc độ nhịp chạy (8), bạn có thể chọn tốc độ/tần suất đập cần thiết trong khi đang vận hành.

Tốc độ cần có/tần suất đập tùy thuộc vào vật liệu và các điều kiện làm việc, và có thể xác định được thông qua việc chạy thử nghiệm thực tế.

Hướng Dẫn Sử Dụng

► **Trước khi tiến hành bất cứ việc gì trên máy, kéo phích cắm điện nguồn ra.**

► **Chỉ đặt dụng cụ điện đã tắt lên đai ốc/vít.**

Dụng cụ đang quay có thể bị tuột ra.

Sau một thời gian làm việc dài với tốc độ vòng quay thấp, bạn cần cho dụng cụ điện quay không tải với tốc độ tối đa trong khoảng 3 phút để làm mát.

Để khoan gạch, gạt công tắc (4) sang biểu tượng "Khoan". Sau khi đã khoan xuyên qua gạch, hãy gạt công tắc sang biểu tượng "Khoan Đập" và làm việc với chế độ đập.

Dùng loại khoan kim loại cứng khi khoan bê-tông, kết cấu đá và tường gạch.

Chỉ sử dụng mũi khoan HSS (HSS=thép gió công suất cao) sắc và không bị lỗi khi khoan trên kim loại. Chất lượng đáp ứng chuẩn được đảm bảo trong chương trình phụ kiện của **Bosch**.

Với thiết bị mài mũi khoan (phụ kiện), bạn có thể làm sắc mũi khoan xoắn có đường kính từ 2,5–10 mm một cách nhẹ nhàng.

Bảo Dưỡng và Bảo Quản

Bảo Dưỡng Và Làm Sạch

► **Trước khi tiến hành bất cứ việc gì trên máy, kéo phích cắm điện nguồn ra.**

► **Để được an toàn và máy hoạt động đúng chức năng, luôn luôn giữ máy và các khe thông gió được sạch.**

Nếu như cần phải thay dây dẫn điện thì công việc này phải do hãng **Bosch**, hay một đại lý được **Bosch** ủy nhiệm thực hiện để tránh gặp sự nguy hiểm do mất an toàn.

Dịch vụ hỗ trợ khách hàng và tư vấn sử dụng

Bộ phận phục vụ hàng sau khi bán của chúng tôi trả lời các câu hỏi liên quan đến việc bảo dưỡng và sửa chữa các sản phẩm cũng như phụ tùng thay thế của bạn. Sơ đồ mô tả và thông tin về phụ tùng thay thế cũng có thể tra cứu theo dưới đây:

www.bosch-pt.com

Đội ngũ tư vấn sử dụng của Bosch sẽ giúp bạn giải đáp các thắc mắc về sản phẩm và phụ kiện.

Trong tất cả các phản hồi và đơn đặt phụ tùng, xin vui lòng luôn luôn nhập số hàng hóa 10 chữ số theo nhãn của hàng hóa.

Việt Nam

CN CÔNG TY TNHH BOSCH VIỆT NAM TẠI TP.HCM

Tầng 14, Ngôi Nhà Đức, 33 Lê Duẩn
Phường Bến Nghé, Quận 1, Thành Phố Hồ Chí Minh

Tel.: (028) 6258 3690

Fax: (028) 6258 3692 - 6258 3694

Hotline: (028) 6250 8555

Email: tuvankhachhang-pt@vn.bosch.com

www.bosch-pt.com.vn

www.baohanhbosch-pt.com.vn

Xem thêm địa chỉ dịch vụ tại:

www.bosch-pt.com/serviceaddresses

Sự thải bỏ

Máy, linh kiện và bao bì phải được phân loại để tái chế theo hướng thân thiện với môi trường.



Không được thải bỏ dụng cụ điện vào chung với rác sinh hoạt!

مخصص للاستعمال الخارجي من خطر الصدمات الكهربائية.

◀ **إن لم يكن بالإمكان تجنب تشغيل العدة الكهربائية في الأجواء الرطبة، فاستخدم مفتاح للوقاية من التيار المتخلف.** إن استخدام مفتاح للوقاية من التيار المتخلف يقلل خطر الصدمات الكهربائية.

أمان الأشخاص

◀ **كن يقظا وانتبه إلى ما تفعله واستخدم العدة الكهربائية بتعقل.** لا تستخدم عدة كهربائية عندما تكون متعبا أو عندما تكون تحت تأثير المخدرات أو الكحول أو الأدوية. عدم الانتباه للحظة واحدة عند استخدام العدة الكهربائية قد يؤدي إلى إصابات خطيرة.

◀ **قم لارتداء تجهيزات الحماية الشخصية. وارتد دائما نظارات واقية.** يعد ارتداء تجهيزات الحماية الشخصية، كقناع الوقاية من الغبار وأحذية الأمان الواقية من الانزلاق والوذو أو واقية الأذنين، حسب ظروف استعمال العدة الكهربائية، من خطر الإصابة بجروح.

◀ **تجنب التشغيل بشكل غير مقصود.** تأكد من كون العدة الكهربائية مطفأة قبل توصيلها بالتيار الكهربائي و/أو بالمركم، وقبل رفعها أو حملها. إن كنت تضع إصبعك على المفتاح أثناء حمل العدة الكهربائية أو إن وصلت الجهاز بالشبكة الكهربائية بينما لامفتاح على وضع التشغيل، قد يؤدي إلى وقوع الحوادث.

◀ **انزع أداة الضبط أو مفتاح الربط قبل تشغيل العدة الكهربائية.** قد تؤدي الأداة أو المفتاح المتواجد في جزء دوار من الجهاز إلى الإصابة بجروح.

◀ **تجنب أوضاع الجسم غير الطبيعية.** قف بأمان وحافظ على توازنك دائما. سيسمح لك ذلك بالتمكّن في الجهاز بشكل أفضل في المواقف الغير متوقعة.

◀ **قم بارتداء ثياب مناسبة.** لا ترتد الثياب الفضفاضة أو الملّية. احرص على إبقاء الشعر والملابس بعيدا عن الأجزاء المتحركة. قد تشابك الثياب الفضفاضة والملّية والشعر الطويل بالأجزاء المتحركة.

◀ **إن جاز تركيب تجهيزات شفط وتجميع الغبار، فتأكد من أنها موصولة وبأنه يتم استخدامها بشكل سليم.** قد يقلل استخدام تجهيزات لشفط الغبار من المخاطر الناتجة عن الغبار.

◀ **لا تستخدم العدة الكهربائية بلا مبالاة وتجاهل قواعد الأمان الخاصة بها نتيجة لتعودك على استخدام العدة الكهربائية وكثرة استخدامها.** فقد يتسبب الاستخدام دون حرص في حدوث إصابة بالغة تحدث في أجزاء من الثانية.

حسن معاملة واستخدام العدد الكهربائية

◀ **لا تفرط بتحميل الجهاز. استخدم لتفنيذ أشغالك العدة الكهربائية المخصصة لذلك.** إنك تعمل بشكل أفضل وأكثر أماناً بواسطة العدة الكهربائية الملائمة في مجال الأداء المذكور.

◀ **لا تستخدم العدة الكهربائية إن كان مفتاح تشغيلها تالف.** العدة الكهربائية التي لم يعد من

عربي

إرشادات الأمان

الإرشادات العامة للأمان بالعدد الكهربائية

تحذير

اطلع على كافة تحذيرات الأمان والتعليمات والصور والمواصفات المرفقة بالعدة الكهربائية. عدم اتباع التعليمات الواردة أدناه قد يؤدي إلى حدوث صدمة كهربائية، إلى نشوب حريق و/أو الإصابة بجروح خطيرة.

احتفظ بجميع الملاحظات التحذيرية والتعليمات للمستقبل.

يقصد بمصطلح «العدة الكهربائية» المستخدم في الملاحظات التحذيرية، العدد الكهربائية الموصولة بالشبكة الكهربائية (بواسطة كابل الشبكة الكهربائية) وأيضا العدد الكهربائية المزودة بمركم (دون كابل الشبكة الكهربائية).

الأمان بمكان الشغل

◀ **حافظ على نظافة مكان شغلك وإضاءته بشكل جيد.** الفوضى في مكان الشغل ونطاقات العمل غير المضاءة قد تؤدي إلى وقوع الحوادث.

◀ **لا تشغل بالعدة الكهربائية في نطاق معرض لخطر الانفجار مثل الأماكن التي تتوفر فيه السوائل أو الغازات أو الأبخرة القابلة للاشتعال.** العدد الكهربائية تولد شررا قد يتطاير، فيشعل الأبخرة والأبخرة.

◀ **حافظ على بقاء الأطفال وغيرهم من الأشخاص بعيدا عندما تستعمل العدة الكهربائية.** تشتيت الانتباه قد يتسبب في فقدان السيطرة على الجهاز.

الأمان الكهربائي

◀ **يجب أن يتلائم قابس العدة الكهربائية مع المقبس.** لا يجوز تغيير القابس بأي حال من الأحوال. لا تستعمل القوايس المهائية مع العدد الكهربائية المؤرضة (ذات طرف أرضي). تخفّض القوايس التي لم يتم تغييرها والمقابس الملائمة من خطر الصدمات الكهربائية.

◀ **تجنب ملامسة جسمك للأسطح المؤرضة كالأنابيب والمبردات والمواقد أو التلّجات.** يزداد خطر الصدمات الكهربائية عندما يكون جسمك مَوْض أو موصل بالأرضي.

◀ **أبعد العدة الكهربائية عن الأمطار أو الرطوبة.** يزداد خطر الصدمات الكهربائية إن تسرب الماء إلى داخل العدة الكهربائية.

◀ **لا تسيّ استعمال الكابل.** لا تستخدم الكابل في حمل العدة الكهربائية أو سحبها أو سحب القابس من المقبس. احرص على إبعاد الكابل عن الحرارة والزيت والحواف الحادة أو الأجزاء المتحركة. تزيد الكابلات التالفة أو المتشابكة من خطر الصدمات الكهربائية.

◀ **عند استخدام العدة الكهربائية خارج المنزل اقتصر على استخدام كابلات التمديد الصالحة للاستعمال الخارجي.** يقلل استعمال كابل تمديد

المعدنية من العدة وجعلها مهربة مما قد يصيب المشغل بصدمة كهربائية.

- ▶ **تعليمات الأمان عند استخدام ريش ثقب طويلة**
- ▶ **لا تقم أبداً بالتشغيل بسرعة أعلى من السرعة القصوى المقررة لريشة الثقب.** فعلى السرعات العالية ستكون الريشة معرضة للثني في حالة دورانها بشكل حر دون لمس قطعة الشغل، مما قد يؤدي لوقوع إصابات.
- ▶ **احرص دائماً على بدء الثقب بسرعة منخفضة بحيث تكون رأس الريشة ملامسة لقطعة الشغل.** فعلى السرعات العالية ستكون الريشة معرضة للثني في حالة دورانها بشكل حر دون لمس قطعة الشغل، مما قد يؤدي لوقوع إصابات.
- ▶ **لا تضغط إلا على خط واحد مع الريشة، ولا تضغط بشكل زائد.** فقد تنثني الريشة، وتعرض للكسر أو تسبب فقدان السيطرة، مما يؤدي لوقوع إصابات.

إرشادات الأمان الإضافية

- ▶ **أوقف العدة الكهربائية على الفور في حالة تعرض عدة الشغل للانصهار. كن مستعداً لمواجهة عزم رد الفعل العالية، والتي تسبب صدمة ارتدادية.** تنحصر عدة الشغل عندما يتم التحميل بشكل زائد على العدة الكهربائية أو إذا انقضت في قطعة الشغل التي تعمل عليها.
- ▶ **أمسك بالعدة الكهربائية بإحكام.** قد تتشكل عزم رد فعل عالية لوهلة قصيرة عند إحكام شد وحل اللوالب.
- ▶ **احرص على تأمين قطعة الشغل.** قطعة الشغل المثبتة بواسطة تجهيزة شد أو بواسطة الملزمة مثبتة بأمان أكبر مما لو تم الإمساك بها بواسطة يدك.
- ▶ **استخدم أجهزة تنقيب ملائمة للثقب على خطوط الإمداد غير الظاهرة، أو استعن بشركة الإمداد المحلية.** ملائمة الخطوط الكهربائية قد تؤدي إلى اندلاع النار وإلى الصدمات الكهربائية. حدوث أضرار ببط الغاز قد يؤدي إلى حدوث انفجارات. اختراق خط الماء يشكل الأضرار المادية أو قد يؤدي إلى الصدمات الكهربائية.
- ▶ **انتظر إلى أن تتوقف العدة الكهربائية عن الحركة قبل أن تضعها جانباً.** قد تتكبل عدة الشغل فتؤدي إلى فقدان السيطرة على العدة الكهربائية.

وصف المنتج والأداء

اقرأ جميع إرشادات الأمان والتعليمات. ارتكاب الأخطاء عند تطبيق إرشادات الأمان والتعليمات، قد يؤدي إلى حدوث صدمات كهربائية أو إلى نشوب الحرائق و/أو الإصابة بجروح خطيرة.



يرجى الرجوع إلى الصور الموجودة في الجزء الأول من دليل التشغيل.

الاستعمال المخصص

العدة الكهربائية مخصصة للثقب الطرقي في الطوب والخرسانة والحجر، وأيضاً لثقب الخشب والمعادن

الممكن التحكم بها عن طريق مفتاح التشغيل والإطفاء تعتبر خطيرة ويجب أن يتم إصلاحها.

- ▶ **اسحب القابس من المقبس و/أو اخلع المركب، إذا كان قابلاً للخلع، قبل ضبط الجهاز وقبل استبدال الملحقات أو قبل تخزين الجهاز.** تمنع هذه الإجراءات وقائية تشغيل العدة الكهربائية بشكل غير مقصود.
- ▶ **احتفظ بالعدد الكهربائية التي لا يتم استخدامها بعيداً عن متناول الأطفال.** لا تسمح باستخدام العدة الكهربائية لمن لا خبرة له بها أو لمن لم يقرأ تلك التعليمات. العدد الكهربائية خطيرة إن تم استخدامها من قبل أشخاص دون خبرة.
- ▶ **اعتن بالعدة الكهربائية والملحقات بشكل جيد.** تأكد أن أجزاء الجهاز المتحركة مركبة بشكل سليم وغير مستعصية عن الحركة، وتفحص ما إن كانت هناك أجزاء مكسورة أو في حالة تؤثر على سلامة أداء العدة الكهربائية. ينبغي إصلاح هذه الأجزاء التالفة قبل إعادة تشغيل الجهاز. الكثير من الموادث مصدرها العدد الكهربائية التي تتم صيانتها بشكل رديء.
- ▶ **احرص على إبقاء عدد القطع نظيفة وحادة.** إن عدد القطع ذات حواف القطع المادة التي تم صيانتها بعناية تتكبل بشكل أقل ويمكن توجيهها بشكل أيسر.
- ▶ **استخدم العدد الكهربائية والتوابع وريش الشغل إلخ. وفقاً لهذه التعليمات.** تراعى أثناء ذلك ظروف الشغل والعمل المراد تنفيذه. استخدام العدد الكهربائية لغير الأشغال المخصصة لأجلها قد يؤدي إلى حدوث الحالات الخطيرة.
- ▶ **احرص على إبقاء المقابض وأسطح المسك جافة ونظيفة وخالية من الزيوت والشحوم.** المقابض وأسطح المسك الزلقة لا تتبع التشغيل والتحكم الأمان في العدة في المواقف غير المتوقعة.

الخدمة

- ▶ **احرص على إصلاح عدتك الكهربائية فقط بواسطة العمال المتخصصين وباستعمال قطع الغيار الأصلية فقط.** يضمن ذلك المحافظة على أمان الجهاز.

تحذيرات الأمان للمثاقب

تعليمات الأمان لكافة التطبيقات

- ▶ **احرص على ارتداء واقبات السمع أثناء الثقب الطرقي.** التعرض للضوضاء الناتجة عن ذلك قد يتسبب في فقدان السمع.
- ▶ **استخدم المقبض (المقابض) الإضافي.** فقدان السيطرة على المعدّة قد يتسبب في حدوث إصابات.
- ▶ **أمسك بالعدة الكهربائية من أسطح المسك المعزولة عند القيام بأعمال قد يترتب عليها ملامسة ملحق القطع لأسلاك كهربائية غير ظاهرة أو للسلك الخاص بالعدة نفسها.** ملامسة ملحق القطع أو أدوات الربط لسلك «مكهرب» قد يتسبب في مرور التيار في الأجزاء

- وباللاستيك. تصلح الأجهزة المجهزة بالتحكم الإلكتروني وبال دوران اليمينى/اليسارى أيضا لربط اللوالب ولعمل الثقوب الملولة.
- الأجزاء المصورة**
- يشير ترقيم الأجزاء المصورة إلى رسوم العدة الكهربائية الموجودة في صفحة الرسوم التخطيطية.
- (1) ظرف ريش الثقب سريع الربط^(A)
(2) الجلبة الأمامية
(3) الجلبة الخلفية
(4) مفتاح التحويل «الثقب/الثقب الطرقي»
(5) مفتاح تحويل اتجاه الدوران (GSB 13 RE / GSB 16 RE)
(6) زر تثبيت مفتاح التشغيل والإطفاء
(7) مفتاح التشغيل والإطفاء
- (8) طارة الضبط المسبق لعدد اللفات (GSB 16 RE)
(9) مقبض إضافي (سطح قبض معزول)^(A)
(10) محدد العمق^(A)
(11) مقبض (مقبض مسك معزول)
(12) مفتاح ظرف ريش الثقب^(A)
(13) ظرف ريش الثقب ملول الطوق^(A)
(14) حامل لقم عام^(A)
(15) لقمة ربط لوالب^(A)
(16) مفتاح سداسي الرأس المجوف^(BA)
(17) مفتاح هلالى^(BA)
- (A) لا يتضمن إطار التوريد الاعتيادي التوابع المصورة أو المشروحة. تجد التوابع الكاملة في برنامجنا للتوابع.
(B) متداولة (غير مرفقة بإطار التوريد)

البيانات الفنية

| GSB 16 RE | GSB 16 | GSB 13 RE | GSB 13 | المتناب الدقاق | رقم الصنف |
|---------------|---------------|---------------|---------------|---------------------|-----------------------------------|
| 3 601 B28 1.. | 3 601 B28 0.. | 3 601 B27 1.. | 3 601 B27 0.. | | |
| 750 | 750 | 650 | 650 | واط | قدرة الدخل الاسمية |
| 456 | 456 | 353 | 353 | واط | قدرة الخرج |
| 3 250 | 3 250 | 3 150 | 3 150 | دقيقة ⁻¹ | عدد اللفات اللاحملي |
| 48 500 | 48 500 | 47 000 | 47 000 | min ⁻¹ | عدد الطرقات |
| 2,1 | 2,1 | 1,8 | 1,8 | نيوتن متر | عزم الدوران الاسمي |
| ● | - | - | - | | ضبط عدد اللفات مسبقا |
| ● | - | ● | - | | دوران يمينى/يسارى |
| 43 | 43 | 43 | 43 | مم | قطر عنق محور الدوران |
| | | | | | أقصى قطر ثقب |
| 16 | 16 | 13 | 13 | مم | - الخرسانة |
| 12 | 12 | 10 | 10 | مم | - فولاذ |
| 25 | 25 | 20 | 20 | مم | - خشب |
| 1,5-13 | 1,5-13 | 1,5-13 | 1,5-13 | مم | نطاق شد ظرف المتناب |
| 1,8 | 1,8 | 1,6 | 1,6 | كجم | الوزن حسب EPTA- Procedure 01:2014 |
| II/□ | II/□ | II/□ | II/□ | | فئة الحماية |

تسري البيانات على جهد اسمى [U] يبلغ 230 ف.لط. قد تختلف تلك البيانات حسب اختلاف الجهد والطرقات الخاصة بكل دولة.

التركيب

◀ اسحب القابض من مقبس الشبكة الكهربائية قبل إجراء أي عمل على العدة الكهربائية.

مقبض إضافي (انظر الصورة A)

◀ استخدم العدة الكهربائية فقط مع المقبض الإضافي (9).

يمكنك تحريك المقبض الإضافي (9) كما تريد للوصول إلى وضع عمل آمن ومريح.

- أدر قطعة القبض السفلية بالمقبض الإضافي (9) بعكس اتجاه حركة عقارب الساعة وقم بتركيب محدد العمق (10).
أخرج محدد العمق بحيث تكون المسافة بين رأس ريشة الثقب وطرف محدد العمق مطابقة للعمق المرغوب X.
أدر قطعة القبض السفلية بالمقبض الإضافي (9) بعد ذلك في اتجاه حركة عقارب الساعة بإحكام.
يجب أن تشير الحزوز على محدد العمق (10) إلى الأعلى.

تركيب ظرف ريش الثقب (انظر الصورة F)
 يتم تركيب ظرف المثقاب سريع الشد/ظرف المثقاب ريش الثقب سريع الربط المزود بحلقة التأمين/ ظرف المثقاب مسنن الطوق بترتيب عكسي للخطوات. **يجب أن يتم شد ظرف المثقاب بعزم شد يبلغ 39-33 نيوتن متر تقريبا.**



شفط الغبار/النشارة

إن أغبرة بعض المواد كالمطاط الذي يحتوي على الرصاص، وبعض أنواع الخشب والفولاذ والمعادن، قد تكون مضرّة بالصحة. إن ملامسة أو استنشاق الأغبرة قد يؤدي إلى ردود فعل زائدة الحساسية و/أو إلى أمراض المجاري التنفسية لدى المستخدم أو لدى الأشخاص المتواجدين على مقربة من المكان. تعتبر بعض الأغبرة المعينة، كأغبرة البلوط والزان من مسببات السرطان، وبالأخص عند اتصالها بالمواد الإضافية الخاصة بمعالجة الخشب (ملع حامض الكروميك، المواد الحافظة للخشب). يجوز أن يتم معالجة المواد التي تحتوي على الأسبستوس من قبل العمال المتخصصين فقط دون غيرهم.

- حافظ على تهوية مكان الشغل بشكل جيد.
- ينصح بارتداء قناع وقاية للتنفس من فئة المرشح P2.

تراجع الأحكام السارية في بلدكم بالنسبة للمواد المرغوب معالجتها.

◀ **تجنب تراكم الغبار بمكان العمل.** يجوز أن تشتعل الأغبرة بسهولة.

التشغيل

بدء التشغيل

◀ **يراعى جهد الشبكة الكهربائية! يجب أن يتطابق جهد منبع التيار مع البيانات المذكورة على لوحة صنع العدة الكهربائية.** يمكن أن يتم تشغيل العدة الكهربائية المميزة بعلامة 230 فلت في مقبس 220 فلت أيضا.

ضبط اتجاه الدوران (انظر الصورة G-H) (GSB 13 RE / GSB 16 RE)

◀ **لا تضغط على مفتاح تحويل اتجاه الدوران (5) إلا والعدة الكهربائية متوقفة.**

يمكنك أن تغير اتجاه دوران العدة الكهربائية (5) بواسطة مفتاح تغيير اتجاه الدوران. إلا أنه لا يمكن تغييره عندما يكون مفتاح التشغيل والإطفاء (7) مضغوطا.

دوران اليمين: لغرض الثقب وإدخال اللولب حرك مفتاح تحويل اتجاه الدوران (5) الموجود على اليسار إلى أعلى، والموجود على اليمين إلى أسفل في نفس الوقت.

دوران اليسار: لغرض الفك أو خلع اللولب والصواميل، حرك مفتاح تحويل اتجاه الدوران (5) الموجود على اليسار إلى أسفل، والموجود على اليمين إلى أعلى في نفس الوقت.

استبدال العدد

ظرف ريش الثقب سريع الربط (انظر الصورة B)
 أمسك الجلبة الخلفية (3) الخاصة بظرف ريش الثقب سريع الربط (1) بإحكام وأدر الجلبة الأمامية (2) في اتجاه الدوران ① إلى الحد الذي يسمح بتركيب العدة. ركب العدة.

أمسك الجلبة الخلفية (3) الخاصة بظرف ريش الثقب سريع الربط (1) بإحكام وأغلق الجلبة الأمامية (2) بإدارتها في اتجاه الدوران ② بواسطة اليد بقوة إلى حد سماع صوت التعاشق بوضوح. يتم تأمين قفل ظرف ريش الثقب بذلك أوتوماتيكيا.

يتم فك الإقفال عند إدارة الجلبة الأمامية (2) بالاتجاه المعاكس بغرض خلع العدة الكهربائية.

ظرف المثقاب المسنن الطوق (راجع الصورة C)
 ◀ **ارتد قفازات واقية عند استبدال العدة.** قد يصعب ظرف المثقاب ساخناً جداً عند تنفيذ إجراءات العمل لفترة طويلة.

افتح ظرف المثقاب المسنن الطوق (13) من خلال إدارته إلى أن تتمكن من تقيم العدة. قم بتركيب عدة الشغل.

ثبت مفتاح ظرف المثقاب (12) في الفجوات المخصصة بظرف المثقاب المسنن الطوق (13) وأحكام شدّ العدة بشكل متوازن.

عدد ربط اللولب (انظر الصورة D)

عند استخدام لقم ربط اللولب (15)، ينبغي استعمال حامل لقم عام (14) دائما. استخدم فقط لقم ربط اللولب التي تلائم رأس اللولب.

لغرض ربط البراغي قم دائما بضبط مفتاح التحويل «الثقب/الثقب الطريقي» (4) على الرمز «الثقب».

استبدال ظرف ريش الثقب

◀ **اسحب القابس من مقبس الشبكة الكهربائية قبل إجراء أي عمل على العدة الكهربائية.**

فك ظرف ريش الثقب (انظر الصورة E)

لغرض فك ظرف ريش الثقب سريع الربط (1) اربط مفتاح سداسي الرأس المجوف (16) في ظرف ريش الثقب سريع الربط (1) وقم بتركيب مفتاح هلال (17) (مقاس المفتاح 14) على سطح مفتاح بريمة الإدارة. ضع العدة الكهربائية على سطح ارتكاز ثابت، مثلا طاولة عمل.

أمسك المفتاح الهلالي (17) بإحكام، وقم بفك ظرف ريش الثقب سريع الربط (1) من خلال إدارة مفتاح سداسي الرأس المجوف (16) في اتجاه الدوران ①. يتم حل ظرف ريش الثقب سريع الربط المنحصر من خلال طريقة خفيفة على الساق الطويلة الخاصة بالمفتاح سداسي الرأس المجوف (16).

اخلع المفتاح سداسي الرأس المجوف من ظرف المثقاب سريع الشد وقم بفك ظرف المثقاب سريع الشد بشكل تام.

يتم فك ظرف المثقاب المسنن الطوق (13) بنفس الطريقة الموصوفة لظرف المثقاب السريع الشد.

باستخدام جهاز شحذ ريش الثقب (التوايج)، يمكن شحذ ريش الثقب الملزونية بقطر يصل من 2,5-10 مم بلا عناء.

الصيانة والخدمة

الصيانة والتنظيف

◀ اسحب القابس من مقبس الشبكة الكهربائية قبل إجراء أي عمل على العدة الكهربائية.

◀ للعمل بشكل جيد وآمن حافظ دائماً على نظافة العدة الكهربائية وفتحات التهوية.

إذا تطلب الأمر استبدال خط الإمداد، فينبغي أن يتم ذلك من قبل شركة Bosch أو من قبل مركز خدمة الزبائن المعتمد لشركة Bosch للعدد الكهربائية، لتجنب التعرض للمخاطر.

خدمة العملاء واستشارات الاستخدام

يجيب مركز خدمة العملاء على الأسئلة المتعلقة بإصلاح المنتج وصيانته، بالإضافة لقطع الغيار. تجد الرسوم التفصيلية والمعلومات الخاصة بقطع الغيار في الموقع: www.bosch-pt.com

يسر فريق Bosch لاستشارات الاستخدام مساعدتك إذا كان لديك أي استفسارات بخصوص منتجاتنا وملحقاتها.

يلزم ذكر رقم الصنف ذو الأرقام العشر وفقاً للوحة صنع المنتج عند إرسال أية استفسارات أو طلبيات قطع غيار.

المغرب

Robert Bosch Morocco SARL

53 شارع الملازم محمد محروم

20300 الدار البيضاء

الهاتف: 212 5 29 31 43 27

البريد الإلكتروني: sav.outillage@ma.bosch.com

تجد المزيد من عناوين الخدمة تحت:

www.bosch-pt.com/serviceaddresses

التخلص من العدة الكهربائية

ينبغي تسليم العدد الكهربائية والتوايج والعبوة إلى مركز معالجة النفايات بطريقة محافظة على البيئة.

لا ترم العدد الكهربائية ضمن النفايات المنزلية.



ضبط نوع التشغيل

الثقب وربط اللوالب

اضبط مفتاح التحويل (4) على الرمز «ثقب».



الثقب المرفق بالطرق

اضبط مفتاح التحويل (4) على الرمز «الثقب المرفق بالطرق».



يُثبَّت مفتاح التحويل (4) بصوت مسموع، ويمكن الضغط عليه أثناء دوران المحرك.

التشغيل والإطفاء

لغرض تشغيل العدة الكهربائية اضغط على مفتاح التشغيل والإطفاء (7) وحافظ على إبقائه مضغوطاً. لغرض تثبيت مفتاح التشغيل/الإطفاء المضغوط (7)، اضغط على زر التثبيت (6).

لغرض إطفاء العدة الكهربائية، اترك مفتاح التشغيل والإطفاء (7) أو إذا كان مثبتاً عن طريق زر التثبيت (6)، اضغط على مفتاح التشغيل والإطفاء (7) لوهلة قصيرة ثم اتركه.

ضبط عدد اللغات/الطرق (GSB 13 RE / GSB 16 RE)

يمكنك أن تتحكم بعدد اللغات/عدد الطرق بالعدة الكهربائية قيد التشغيل دون تدريب، حسب مدى الضغط على مفتاح التشغيل والإطفاء (7).

يؤدي الضغط الخفيف على مفتاح التشغيل والإطفاء (7) إلى عدد لغات/طرق منخفض. ويرتفع عدد اللغات/الطرق بزيادة الضغط.

ضبط عدد اللغات/الطرق مسبقاً (GSB 16 RE)

يمكنك بواسطة عجلة ضبط عدد الدوران مسبقاً (8) ضبط عدد اللغات/الطرق المطلوب مسبقاً حتى أثناء التشغيل.

يتعلق عدد اللغات/الطرق المطلوب بمادة الشغل وبظروف العمل ويمكن التوصل إليه عن طريق التجربة العملية.

إرشادات العمل

◀ اسحب القابس من مقبس الشبكة الكهربائية قبل إجراء أي عمل على العدة الكهربائية.

◀ ضع العدة الكهربائية على اللولب/الصامولة فقط عندما تكون مطفاة. إن عدد الشغل الدوارة قد تنزلق.

بعد العمل لفترة طويلة بعدد لغات منخفض ينبغي إدارة العدة الكهربائية لمدة 3 دقائق بأقصى عدد لغات من أجل تبريدها.

لثقب البلاط اضبط مفتاح التحويل (4) على الرمز «ثقب». بعد ثقب البلاطة اضبط مفتاح التحويل على الرمز «الثقب المرفق بالطرق» للعمل المرفق بالطرق.

استخدم لقم الثقيب المصنوعة من المعدن الصلب عند إجراء الأشغال في الخرسانة والحجر والجدران. استخدم عند ثقيب المعادن فقط لقم الثقيب HSS السليمة والمشوذة (HSS= الفولاذ العالي القدرة والسريع القطع). يضمن برنامج توايج Bosch الجودة المناسبة.

مناسب برای محیط باز، خطر برق گرفتگی را کم می کنند.

◀ در صورت لزوم کار با ابزار برقی در محیط و اماکن مرطوب، باید از یک کلید حفاظتی جریان خطا و نشستی زمین (کلید قطع کننده اتصال با زمین) استفاده کنید. استفاده از کلید حفاظتی جریان خطا و نشستی زمین خطر برق گرفتگی را کاهش می دهد.

رعایت ایمنی اشخاص

◀ حواس خود را خوب جمع کنید، به کار خود دقت کنید و با فکر و هوشیاری کامل با ابزار برقی کار کنید. در صورت خستگی و یا در صورتی که مواد مخدر، الکل و دارو استفاده کرده‌اید، با ابزار برقی کار نکنید. یک لحظه بی توجهی هنگام کار با ابزار برقی، میتواند جراثم های شدیدی به همراه داشته باشد.

◀ از تجهیزات ایمنی شخصی استفاده کنید. همواره از عینک ایمنی استفاده نمایید. استفاده از تجهیزات ایمنی مانند ماسک ضد گرد و غبار، کفشهای ایمنی ضد لغزش، کلاه ایمنی و گوشی محافظ متناسب با نوع کار با ابزار برقی، خطر مجروح شدن را کاهش میدهد.

◀ مواظب باشید که ابزار برقی بطور ناخواسته بکار نیفتد. قبل از وارد کردن دوشاخه دستگاه در پریز برق، اتصال آن به باتری، برداشتن آن و یا حمل دستگاه، باید دقت کنید که ابزار برقی خاموش باشد. در صورتی که هنگام حمل دستگاه انگشت شما روی دکمه قطع و وصل باشد و یا دستگاه را در حالت روشن به برق بزنید، ممکن است سوانع کاری پیش آید.

◀ قبل از روشن کردن ابزار برقی، همه ابزارهای تنظیم کننده و آپارها را از روی دستگاه بردارید. ابزار و آپارهایی که روی بخش های چرخنده دستگاه قرار دارند، میتوانند باعث ایجاد جراثم شوند.

◀ وضعیت بدن شما باید در حالت عادی قرار داشته باشد. برای کار جای مطمئنی برای خود انتخاب کرده و تعادل خود را همواره حفظ کنید. به این ترتیب میتوانید ابزار برقی را در وضعیتهای غیر منتظره بهتر تحت کنترل داشته باشید.

◀ لباس مناسب بپوشید. از پوشیدن لباسهای گشاد و حمل زینت آلات خودداری کنید. موها و لباس خود را از بخشهای در حال چرخش دستگاه دور نگه دارید. لباسهای گشاد، موی بلند و زینت آلات ممکن است در قسمتهای در حال چرخش دستگاه گیر کنند.

◀ در صورتی که تجهیزاتی برای اتصال وسائل مکش گرد و غبار و یا وسیله جمع کننده گرد و غبار ارائه شده است، باید مطمئن شوید که این وسائل درست نصب و استفاده می شوند. استفاده از وسائل مکش گرد و غبار مصونیت شما را در برابر گرد و غبار زیاده تر میکند.

◀ آشنایی با ابزار به دلیل کار کردن زیاد با آن نباید باعث سهل انگاری شما و نادیده گرفتن اصول ایمنی شود. بی دقتی ممکن است باعث بروز جراحاتی در عرض کسری از ثانیه شود.

فارسی

دستورات ایمنی

نکات ایمنی عمومی برای ابزارهای برقی

⚠ هشدار کلیه هشدارها، دستورالعملها، تصاویر و

مشخصات ارائه شده به همراه ابزار برقی را مطالعه کنید. اشتباهات ناشی از عدم رعایت این دستورات ایمنی ممکن است باعث برق گرفتگی، سوختگی و یا سایر جراثم های شدید شود.

کلیه هشدارهای ایمنی و راهنماییها را برای آینده خوب نگهداری کنید.

عبارت «ابزار برقی» در هشدارها به ابزارهایی که به پریز برق متصل میشوند (با سیم برق) و یا ابزارهای برقی باتری دار (بدون سیم برق) اشاره دارد.

ایمنی محل کار

◀ محیط کار را تمیز و روشن نگه دارید. محیطهای در هم ریخته یا تاریک احتمال بروز حادثه را افزایش میدهند.

◀ ابزار برقی را در محیطهایی که خطر انفجار وجود دارد و حاوی مایعات، گازها و بخارهای متحرکه هستند، به کار نگیرید. ابزارهای برقی چرخههایی ایجاد میکنند که میتوانند باعث آتش گرفتن گرد و غبارهای موجود در هوا شوند.

◀ هنگام کار با ابزار برقی، کودکان و سایر افراد را از دستگاه دور نگه دارید. در صورتیکه حواس شما پرت شود، ممکن است کنترل دستگاه از دست شما خارج شود.

ایمنی الکتریکی

◀ دوشاخه ابزار برقی باید با پریز برق تناسب داشته باشد. هیچگونه تغییری در دوشاخه ایجاد نکنید. مبدل دوشاخه نباید همراه با ابزار برقی دارای اتصال زمین استفاده شود. دوشاخههای اصل و تغییر داده نشده و پریزهای مناسب، خطر برق گرفتگی را کاهش میدهند.

◀ از تماس بدنی با قطعات متصل به سیم اتصال زمین مانند لوله، شوفاژ، اجاق برقی و یخچال خودداری کنید. در صورت تماس بدنی با سطوح و قطعات دارای اتصال به زمین و همچنین تماس شما با زمین، خطر برق گرفتگی افزایش می یابد.

◀ ابزارهای برقی را در معرض باران و رطوبت قرار ندهید. نفوذ آب به ابزار برقی، خطر شوک الکتریکی را افزایش میدهد.

◀ از سیم دستگاه برای مقاصد دیگر استفاده نکنید. هرگز برای حمل ابزار برقی، کشیدن آن یا خارج کردن دوشاخه از سیم دستگاه استفاده نکنید. کابل دستگاه را از حرارت، روغن، لیبهای تیز یا قطعات متحرک دور نگه دارید. کابلهای آسیب دیده و یا گره خورده خطر شوک الکتریکی را افزایش میدهند.

◀ هنگام استفاده از ابزار برقی در محیطهای باز، تنها از کابل رابطی استفاده کنید که برای محیط باز نیز مناسب باشد. کابل های رابط

◀ چنانچه هنگام انجام کار، امکان تماس متعلقات برش یا بستها با سیمهای برق غیر قابل رؤیت یا کابل خود ابزار وجود داشته باشد، باید ابزار برقی را از محل دستگیره و سطوح عایق آن بگیریید. تماس متعلقات برش یا بستها با سیم حامل جریان برق، میتواند جریان برق را به بخشهای فلزی دستگاه نیز انتقال دهد و باعث برق گرفتگی شود.

دستورالعملهای ایمنی برای هنگام استفاده از متههای بلند

◀ هرگز دستگاه را با سرعت بیشتر از حداکثر سرعت مجاز مته به کار نگیرید. در سرعتهای بالاتر، ممکن است مته هنگام چرخش در حالت آزاد و بدون تماس با قطعه کار کج شود و باعث وارد آمدن جراحت گردد.

◀ دریل کاری را همیشه هنگامی که مته با قطعه کار در تماس است و با سرعت پایین آغاز کنید. در سرعتهای بالاتر، ممکن است مته هنگام چرخش در حالت آزاد و بدون تماس با قطعه کار کج شود و باعث وارد آمدن جراحت گردد.

◀ فشار را فقط هم راستا با مته وارد کنید و از وارد کردن فشار زیاد خودداری نمایید. ممکن است مته کج شود و باعث ایجاد شکستگی یا از دست رفتن کنترل و در نتیجه وارد آمدن جراحت گردد.

سایر راهنمایی های ایمنی

◀ در صورت بلوکه شدن ابزار برقی، آن را خاموش کنید. نسبت به عکسالعملهای شدیدی که منجر به ضربه برگشتی می شوند، آمادگی داشته باشید. چنانچه فشار زیادی به ابزار برقی وارد شود یا در قطعهکار گیر کند، ابزار برقی بلوکه می شود.

◀ ابزار برقی را محکم بگیرید. هنگام سفت و باز کردن پیچها ممکن است گشتاورهای بازگشتی بالایی به طور موقت ایجاد شوند.

◀ قطعه کار را محکم کنید. در صورتیکه قطعه کار به وسیله تجهیزات نگهدارنده و یا بوسیله گیره محکم شده باشد، قطعه کار مطمئن تر نگه داشته میشود، تا اینکه بوسیله دست نگهداشته شود.

◀ برای پیدا کردن لوله ها و سیم های پنهان موجود در ساختمان و محدوده کار، از یک دستگاه ردیاب مخصوص برای یافتن لوله ها و سیمهای تأسیسات استفاده کنید و یا با شرکت های کارهای تأسیسات ساختمان و خدمات مربوطه تماس بگیرید. تماس با کابل و سیمهای برق ممکن است باعث آتشسوزی و یا برق گرفتگی شود. ایراد و آسیب دیدگی لوله گاز میتواند باعث انفجار شود. سوراخ شدن لوله آب، باعث خسارت و یا برق گرفتگی میشود.

◀ قبل از کنار گذاشتن ابزار برقی صبر کنید تا دستگاه بطور کامل از کار و حرکت بایستد. ابزار ممکن است به قطعه کار گیر کرده و کنترل ابزار برقی از دست شما خارج شود.

استفاده صحیح از ابزار برقی و مراقبت از آن

◀ از وارد کردن فشار زیاد روی دستگاه خودداری کنید. برای هر کاری، از ابزار برقی مناسب با آن استفاده کنید. بکار گرفتن ابزار برقی مناسب باعث میشود که بتوانید از توان دستگاه بهتر و با اطمینان بیشتر استفاده کنید.

◀ در صورت ایراد در کلید قطع و وصل ابزار برقی، از دستگاه استفاده نکنید. ابزار برقی که نمی توان آنها را قطع و وصل کرد، خطرناک بوده و باید تعمیر شوند.

◀ قبل از تنظیم ابزار برقی، تعویض متعلقات و یا کنار گذاشتن آن، دوشاخه را از برق بکشید و یا باتری آنرا خارج کنید. رعایت این اقدامات پیشگیری ایمنی از راه افتادن ناخواسته ابزار برقی جلوگیری می کند.

◀ ابزار برقی را در صورت عدم استفاده، از دسترس کودکان دور نگه دارید و اجازه ندهید که افراد ناوارد و یا اشخاصی که این دفترچه راهنما را نخواندهاند، با این دستگاه کار کنند. قرار گرفتن ابزار برقی در دست افراد ناوارد و بی تجربه خطرناک است.

◀ از ابزار برقی و متعلقات خوب مراقبت کنید. مواظب باشید که قسمت های متحرک دستگاه خوب کار کرده و گیر نکنند. همچنین دقت کنید که قطعات ابزار برقی شکسته و یا آسیب دیده نباشند. قطعات آسیب دیده را قبل از شروع به کار تعمیر کنید. علت بسیاری از سوانح کاری، عدم مراقبت کامل از ابزارهای برقی می باشد.

◀ ابزار برش را تیز و تمیز نگه دارید. ابزار برشی که خوب مراقبت شده و از لبه های تیز برخوردار است، کمتر در قطعه کار گیر کرده و بهتر قابل هدایت است.

◀ ابزار برقی، متعلقات، متههای دستگاه و غیره را مطابق دستورات این جزوه راهنما به کار گیرید و به شرایط کاری و نوع کار نیز توجه داشته باشید. استفاده از ابزار برقی برای عملیاتی به جز مقاصد در نظر گرفته شده، میتواند به بروز شرایط خطرناک منجر شود.

◀ دستها و سطوح عایق را همواره خشک، تمیز و عاری از روغن و گریس نگه دارید. دسته های لغزنده مانع ایمنی و کنترل در کار در شرایط غیر منتظره هستند.

سرویس

◀ برای تعمیر ابزار برقی فقط به متخصصین حرفهای رجوع کنید و از قطعات یدکی اصل استفاده نمایید. این باعث خواهد شد که ایمنی دستگاه شما تضمین گردد.

هشدارهای ایمنی برای دریلها

دستورالعملهای ایمنی برای انواع عملیات هنگام کار با دریل ضربهای از گوشی ایمنی استفاده کنید. قرار گرفتن در معرض سر و صدا، میتواند به شنوایی آسیب برساند.

◀ از دسته(های) کمکی استفاده کنید. از دست دادن کنترل بر روی ابزار می تواند باعث بروز جراحت شود.

توضیحات محصول و کارکرد



همه دستورات ایمنی و راهنماییها را بخوانید. اشتباهات ناشی از عدم رعایت این دستورات ایمنی ممکن است باعث برقگرفتگی، سوختگی و یا سایر جراحات های شدید شود.

به تصویرهای واقع در بخشهای اول دفترچه راهنما توجه کنید.

موارد استفاده از دستگاه

این ابزار برقی برای سوراخکاری چکشی در آجر، بتن، سنگ، و همچنین سوراخکاری در چوب، فلز و پلاستیک مناسب است. دستگاه های دارای تنظیم الکترونیکی و چپ گرد/راست گرد برای پیچکاری و رزوه کردن هم مناسب هستند.

تصاویر اجزاء دستگاه

شماره های اجزاء دستگاه که در تصویر مشاهده میشود، مربوط به شرح ابزار برقی می باشد که تصویر آن در این دفترچه آمده است.

(1) سه نظام اتوماتیک^(A)

(2) بوش جلویی

- (3) بوش عقبی
 (4) کلید تعویض "سوراخکاری/سوراخکاری چکشی"
 (5) کلید تغییر جهت چرخش (GSB 13 RE/ GSB 16 RE)
 (6) دکمه تثبیت کلید روشن/خاموش
 (7) کلید روشن/خاموش
 (8) چرخک تنظیم انتخاب سرعت (GSB 16 RE)
 (9) دسته کمکی (دارای روکش عایق)^(A)
 (10) خط کش تعیین عمق سوراخ^(A)
 (11) دسته (دارای روکش عایق)
 (12) آچار سه نظام^(A)
 (13) سه نظام معمولی^(A)
 (14) نگهدارنده عمومی مته^(A)
 (15) سری پیچگوشتی^(A)
 (16) آچار آلن^{(B)(A)}
 (17) آچار تخت^{(B)(A)}
- (A) کلیه متعلقاتی که در تصویر و یا در متن آمده است، بطور معمول همراه دستگاه ارائه نمی شود. لطفاً لیست کامل متعلقات را از فهرست برنامه متعلقات اقتباس نمایید.
 (B) معمول در بازار (در محتویات ارسالی موجود نیست)

مشخصات فنی

| دستگاه سوراخکاری چکشی | | | | | |
|-----------------------|---------------|---------------|---------------|------------------|--|
| GSB 16 RE | GSB 16 | GSB 13 RE | GSB 13 | | |
| 3 601 B28 1.. | 3 601 B28 0.. | 3 601 B27 1.. | 3 601 B27 0.. | | شماره فنی |
| 750 | 750 | 650 | 650 | W | توان ورودی نامی |
| 456 | 456 | 353 | 353 | W | توان خروجی |
| 3 250 | 3 250 | 3 150 | 3 150 | ¹ min | تعداد دور در حالت بدون بار |
| 48 500 | 48 500 | 47 000 | 47 000 | ¹ min | تعداد ضربه |
| 2,1 | 2,1 | 1,8 | 1,8 | Nm | گشتاور نامی |
| ● | - | - | - | | انتخاب سرعت |
| ● | - | ● | - | | راست گرد/چپ گرد |
| 43 | 43 | 43 | 43 | mm | قطر گلویی محور |
| حداکثر قطر سوراخکاری | | | | | |
| 16 | 16 | 13 | 13 | mm | - بتن |
| 12 | 12 | 10 | 10 | mm | - فولاد |
| 25 | 25 | 20 | 20 | mm | - چوب |
| 1,5-13 | 1,5-13 | 1,5-13 | 1,5-13 | mm | دامنه مهار سه نظام |
| 1,8 | 1,8 | 1,6 | 1,6 | kg | وزن مطابق استاندارد EPTA-Procedure 01:2014 |
| II/□ | II/□ | II/□ | II/□ | | کلاس ایمنی |

مقادیر برای ولتاژ نامی [U] 230 ولت میباشد. برای ولتاژهای مختلف و تولیدات مخصوص کشورها، ممکن است این مقادیر، متفاوت باشند.

نصب

◀ **پیش از انجام هرگونه کاری بر روی ابزار الکتریکی، دوشاخه اتصال آنرا از داخل پریز برق بیرون بکشید.**

دسته کمکی (رجوع کنید به تصویر A)

◀ **از ابزار برقی تنها با دسته ی کمکی (9) استفاده کنید.**

دسته کمکی (9) را می توان به دلخواه جهت بدست آمدن حالت کاری مطمئن و راحت چرخاند.

قسمت پایینی گیرنده دسته کمکی (9) را در خلاف جهت چرخش عقربه های ساعت بچرخانید و نگهدارنده عمق (10) را قرار دهید.

نگهدارنده عمق را آنقدر بیرون بکشید تا فاصله بین نوک مته و نوک نگهدارنده عمق با عمق مته دلخواه X مطابق باشد.

سپس قسمت پایینی دسته کمکی (9) را دوباره در جهت چرخش عقربه های ساعت محکم کنید.

برآمدگی نگهدارنده عمق (10) بایستی به طرف بالا باشد.

تعویض ابزار

سه نظام اتوماتیک (رجوع کنید به تصویر B)

بوش عقبی (3) سه نظام مهار سریع (1) را محکم بگیرید و بوش جلویی (2) را در جهت چرخش ①، بچرخانید تا ابزار قرار گیرد. ابزار را جا گذاری کنید.

بوش پشتی (3) سه نظام مهار سریع (1) را محکم بگیرید و بوش جلویی (2) را در جهت چرخش ② با دست محکم بچرخانید تا هیچ صدای کلیک شنیده نشود. اینگونه سه نظام به طور اتوماتیک قفل می شود.

قفل، به محض چرخاندن پوش مهره جلوی (2) برای برداشتن ابزار باز میشود.

سه نظام معمولی (رجوع کنید به تصویر C)

◀ **هنگام تعویض ابزار از دستکش ایمنی استفاده کنید.** سه نظام ممکن است در اثر کار طولانی بیش از حد گرم شود.

سه نظام معمولی (13) را با چرخاندن باز کنید تا بتوان ابزار را جا گذاری کرد. ابزار را جا گذاری کنید. آچار سه نظام (12) را در سوراخ های مربوط سه نظام معمولی (13) قرار دهید و همزمان ابزار را سفت کنید.

ابزارهای پیچکاری (رجوع کنید به تصویر D)

در صورت استفاده از سربکس (15) بایستی همواره یک نگهدارنده یونیورسال (14) بکار برید. منحصراً از سرپیچگوشی های متناسب با سربکس استفاده کنید.

جهت پیچکاری، کلید تعویض را روی نماد «سوراخکاری/سوراخکاری چکشی» (4) را همیشه روی نماد «سوراخکاری» قرار دهید.

تعویض سه نظام

◀ **پیش از انجام هرگونه کاری بر روی ابزار الکتریکی، دوشاخه اتصال آنرا از داخل پریز برق بیرون بکشید.**

برداشتن سه نظام معمولی (رجوع کنید به تصویر E)

برای باز کردن سه نظام اتوماتیک (1) با یک آچار آلن (16) سه نظام اتوماتیک (1) را نگه دارید و یک آچار تخت (17) (سری 14) را روی سطح آچار واقع بر محور دستگاه قرار دهید.

ابزار برقی را روی یک سطح صاف و محکم مانند میز کار قرار دهید.

آچار تخت (17) را محکم نگه دارید و سه نظام اتوماتیک (1) را در جهت چرخش ① آچار آلن (16) بچرخانید. یک سه نظام اتوماتیک که باز نمی شود را می توان به کمک یک ضربه به آچار آلن (16) باز کرد. آچار آلن را از سه نظام اتوماتیک جدا کرده و سه نظام اتوماتیک را کاملاً جدا کنید.

باز کردن سه نظام معمولی (13) همانند مراحل باز کردن سه نظام اتوماتیک است.

نصب سه نظام (رجوع کنید به تصویر F)

جهت نصب سه نظام اتوماتیک/سه نظام مهار سریع با رینگ ایمنی/سه نظام معمولی سلسله مراتب نصب را باید برعکس اجرا کرد.

سه نظام باید با یک گشتاور محکم کردن در حدود 39-33 نیوتن متر سفت شود.



مکش گرد، براده و تراشه

گرد و غبار موادی مانند رنگ های دارای سرب، بعضی از چوب ها، مواد معدنی و فلزات میتوانند برای سلامتی مضر باشند. دست زدن و یا تنفس کردن گرد و غبار ممکن است باعث بروز آلرژی و یا بیماری مجاری تنفسی شخص استفاده کننده و یا افرادی که در آن نزدیکی میباشند، بشود.

گرد و غبارهای مخصوصی مانند گرد و غبار درخت بلوط و یا درخت راش سرطان زا هستند، بخصوص ترکیب آنها با سایر موادی که برای کار بر روی چوب (کرومات، مواد برای محافظت از چوب) بکار برده میشوند. فقط افراد متخصص مجازند با موادی که دارای آزیست میباشند کار کنند.

- توجه داشته باشید که محل کار شما از تهویه هوای کافی برخوردار باشد.

- توصیه میشود از ماسک تنفسی ایمنی با درجه فیلتر P2 استفاده کنید.

به قوانین و مقررات معتبر در کشور خود در رابطه با استفاده از مواد و قطعات کاری توجه کنید.

◀ **از تجمع گرد و غبار در محل کار جلوگیری کنید.** گرد و غبار می توانند به آسانی مشتعل شوند.

طرز کار با دستگاه

راه اندازی و نحوه کاربرد دستگاه

◀ **به ولتاژ شبکه برق توجه کنید! ولتاژ منبع جریان برق باید با مقادیر موجود بر روی برچسب ابزار الکتریکی مطابقت داشته باشد.**

ابزارهای برقی را که با ولتاژ 230 V ولت مشخص شده اند، می توان تحت ولتاژ 220 V ولت نیز بکار برد.

پس از کار طولانی با تعداد لرزش پایین بایستی ابزار برقی جهت خنک شدن حدود 3 دقیقه با بیشترین تعداد لرزش بدون بار کار کند.

برای سوراخکاری کاشی ها کلید تعویض (4) را روی نماد «سوراخکاری» قرار دهید. پس از سوراخ کردن کاشی کلید تغییر نوع عملکرد را روی علامت «دریل کاری ضربه ای» قرار داده و با ضربه کار کنید.

برای کار روی بتن، مواد سنگی و قطعات آجری از مته های فلز سخت استفاده کنید.

هنگام سوراخکاری در فلز تنها از متهای HSS بینقص و تیزشده (HSS=برش سریع و پرتوان فولادی) استفاده کنید. لیست ابزار و متعلقات شرکت **Bosch** تضمین کننده بهترین کیفیت ابزار میباشد.

توسط دستگاه تیزکن (متعلقات) میتوان متهای مارپیچی دارای قطر 2,5-10 میلیمتر را به راحتی تیز کرد.

مراقبت و سرویس

مراقبت، تعمیر و تمیز کردن دستگاه

◀ **پیش از انجام هرگونه کاری بر روی ابزار الکتریکی، دوشاخه اتصال آنرا از داخل پریز برق بیرون بکشید.**

◀ **ابزار الکتریکی و شیارهای تهویه آنرا تمیز نگاه دارید، تا ایمنی شما در کار تضمین گردد.**

در صورت نیاز به یک کابل پدکی برای اتصال به شبکه برق، بایستی به شرکت **Bosch** و یا به نمایندگی مجاز **Bosch** (خدمات پس از فروش) برای ابزار آلات برقی مراجعه کنید تا از بروز خطرات ایمنی جلوگیری بعمل آید.

خدمات و مشاوره با مشتریان

خدمات مشتری، به سئوالات شما درباره تعمیرات، سرویس و همچنین قطعات یدکی پاسخ خواهد داد. نقشه‌های سه بعدی و اطلاعات مربوط به قطعات یدکی را در تارنمای زیر میبایید:

www.bosch-pt.com

گروه مشاوره به مشتریان Bosch با کمال میل به سئوالات شما درباره محصولات و متعلقات پاسخ می دهند.

برای هرگونه سؤال و یا سفارش قطعات یدکی، حتماً شماره فنی 10 رقمی کالا را مطابق برچسب روی ابزار برقی اطلاع دهید.

ایران

روبرت بوش ایران - شرکت بوش تجارت پارس
میدان ونک، خیابان شهید خدای، خیابان آفتاب
ساختمان مادیران، شماره 3، طبقه سوم.

تهران 1994834571
تلفن: 9821+ 42039000

آدرس سایر دفاتر خدماتی را در ادامه ببایید:
www.bosch-pt.com/serviceaddresses

تنظیم جهت چرخش (رجوع کنید به تصویر H-G)

(GSB 13 RE / GSB 16 RE)

◀ **کلید تغییر جهت چرخش (5) را هنگام متوقف بودن دستگاه فعال کنید.**

توسط دکمه تعویض جهت چرخش (5) می توان جهت چرخش ابزار برقی را تغییر داد. هنگامی که کلید قطع و وصل (7) فشرده شده است، این امر ممکن نیست.

راست گرد: برای سوراخکاری و پیچکاری، کلید تغییر جهت چرخش (5) را در طرف چپ به بالا و همزمان در طرف راست به پایین حرکت دهید.

چپ گرد: برای شل کردن یا بیرون آوردن پیچ ها و مهره ها، کلید تغییر جهت چرخش (5) را در طرف چپ به پایین و همزمان در طرف راست به بالا حرکت دهید.

تنظیم نوع عملکرد

دریل کاری و پیچ گوشتی کاری

کلید تعویض (4) را روی نماد «سوراخکاری» قرار دهید.

دریل کاری ضربه ای

کلید تعویض (4) را روی نماد «سوراخکاری چکشی» قرار دهید.

کلید تعویض (4) به طور محسوس جا می افتد و می توان آن را هنگام کار موتور فعال کرد.

نحوه روشن و خاموش کردن

برای **راهاندازی** ابزار برقی، کلید قطع و وصل (7) را فشار داده و آنرا در حالت فشرده نگاهدارید.

برای **ثابت کردن** کلید قطع و وصل فشرده شده (7) دکمه ی تثبیت (6) را فشار دهید.

جهت **خاموش کردن** ابزار برقی، کلید قطع و وصل (7) را رها کنید یا در صورت قفل بودن دکمه تثبیت (6) کلید قطع و وصل (7) را کوتاه فشار دهید و آن را رها کنید.

تنظیم سرعت/تعداد ضربه (GSB 13 RE / GSB 16 RE)

سرعت ابزار برقی را می توان با فشردن دلخواه کلید قطع و وصل (7) تنظیم کرد.

فشار کم روی کلید قطع و وصل (7) سرعت کاهش میابد. افزایش فشار باعث افزایش سرعت و تعداد ضربه ها میشود.

انتخاب سرعت/تعداد ضربه (GSB 16 RE)

با چرخک تنظیم انتخاب سرعت (8) می توان سرعت/تعداد ضربه لازم را حتی هنگام کار انتخاب کرد.

میزان سرعت/تعداد ضربه به جنس قطعه کار و شرایط کار بستگی داشته و ممکن است طبق تجربه عملی بدست می آید.

راهنمایی های عملی

◀ **پیش از انجام هرگونه کاری بر روی ابزار الکتریکی، دوشاخه اتصال آنرا از داخل پریز برق بیرون بکشید.**

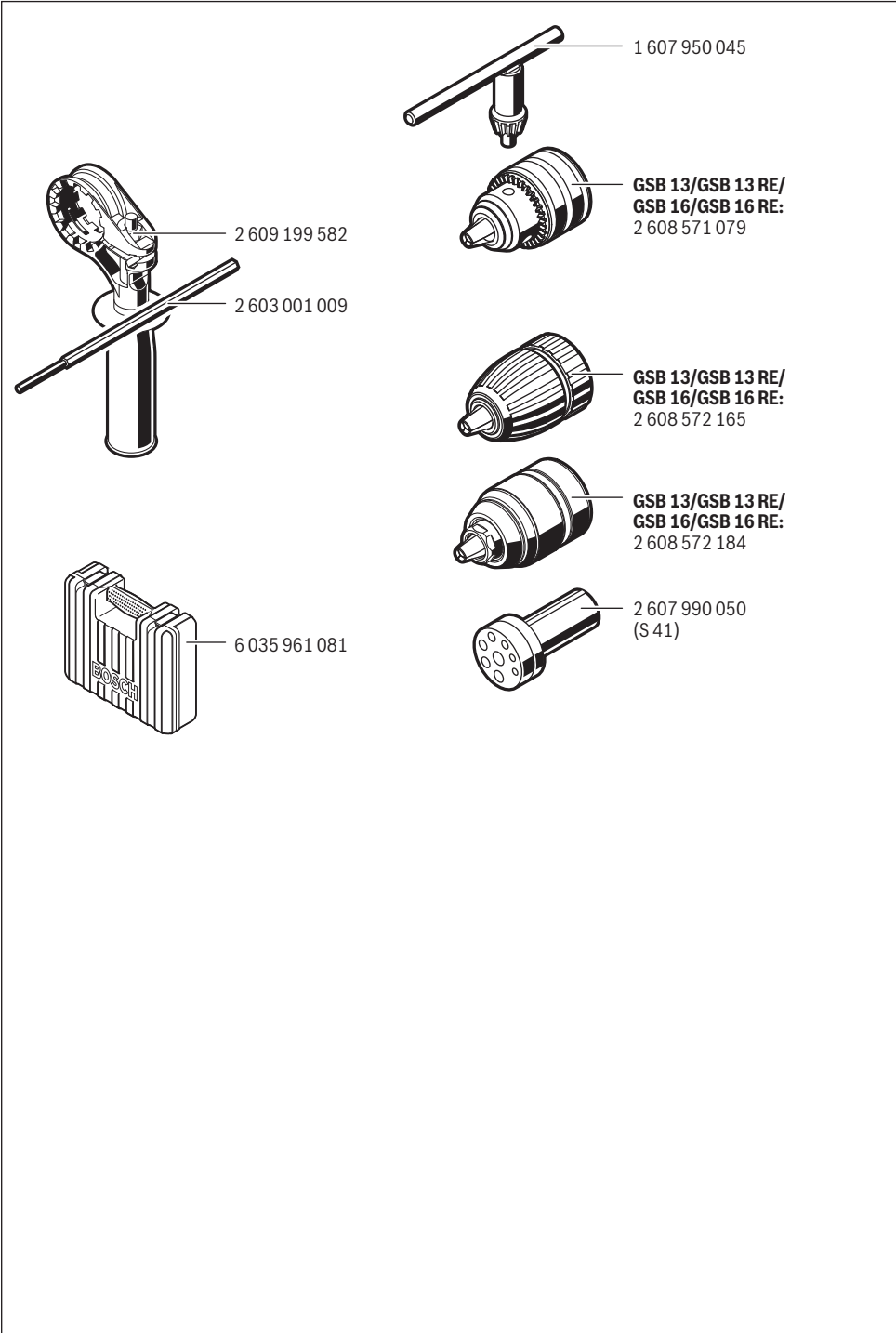
◀ **ابزار برقی را تنها در حالت خاموش روی پیچ و یا مهره قرار دهید. امکان لغزش ابزار در حال چرخش وجود دارد.**

از رده خارج کردن دستگاه

ابزار برقی، متعلقات و بسته بندی آن، باید طبق مقررات حفظ محیط زیست از رده خارج و بازیافت شوند.




ابزارهای برقی را داخل زباله دان خانگی نیاندازید!





| | | | |
|-----------|---|--------------------|---|
| de | EU-Konformitätserklärung Schlagbohrmaschine | Sachnummer | Wir erklären in alleiniger Verantwortung, dass die genannten Produkte allen einschlägigen Bestimmungen der nachfolgend aufgeführten Richtlinien und Verordnungen entsprechen und mit folgenden Normen übereinstimmen. Technische Unterlagen bei: * |
| en | EU Declaration of Conformity Impact drill | Article number | We declare under our sole responsibility that the stated products comply with all applicable provisions of the directives and regulations listed below and are in conformity with the following standards. Technical file at: * |
| fr | Déclaration de conformité UE Perceuse à percussion | N° d'article | Nous déclarons sous notre propre responsabilité que les produits décrits sont en conformité avec les directives, règlements normatifs et normes énumérés ci-dessous. Dossier technique auprès de: * |
| es | Declaración de conformidad UE Taladradora de percusión | Nº de artículo | Declaramos bajo nuestra exclusiva responsabilidad, que los productos nombrados cumplen con todas las disposiciones correspondientes de las Directivas y los Reglamentos mencionados a continuación y están en conformidad con las siguientes normas. Documentos técnicos de: * |
| pt | Declaração de Conformidade UE Berbequim de percussão | N.º do produto | Declaramos sob nossa exclusiva responsabilidade que os produtos mencionados cumprem todas as disposições e os regulamentos indicados e estão em conformidade com as seguintes normas. Documentação técnica pertencente à: * |
| it | Dichiarazione di conformità UE Trapano battente | Codice prodotto | Dichiariamo sotto la nostra piena responsabilità che i prodotti indicati sono conformi a tutte le disposizioni pertinenti delle Direttive e dei Regolamenti elencati di seguito, nonché alle seguenti Normative. Documentazione Tecnica presso: * |
| nl | EU-conformiteitsverklaring Klopboormachine | Productnummer | Wij verklaren op eigen verantwoordelijkheid dat de genoemde producten voldoen aan alle desbetreffende bepalingen van de hierna genoemde richtlijnen en verordeningen en overeenstemmen met de volgende normen. Technisch dossier bij: * |
| da | EU-overensstemmelseserklæring Slagboremaskine | Typenummer | Vi erklærer som eneansvarlige, at det beskrevne produkt er i overensstemmelse med alle gældende bestemmelser i følgende direktiver og forordninger og opfylder følgende standarder. Tekniske bilag ved: * |
| sv | EU-konformitetsförklaring Slagbormaskin | Produktnummer | Vi förklarar under eget ansvar att de nämnda produkterna uppfyller kraven i alla gällande bestämmelser i de nedan angivna direktiven och förordningarna och att de stämmer överens med följande normer. Teknisk dokumentation: * |
| no | EU-samsvarserklæring Slagbormaskin | Produktnummer | Vi erklærer under eneansvar at de nevnte produktene er i overensstemmelse med alle relevante bestemmelser i direktivene og forordningene nedenfor og med følgende standarder. Teknisk dokumentasjon hos: * |
| fi | EU-vaatimustenmukaisuusvakuutus Iskuporakone | Tuotenumero | Vakuutamme täten, että mainitut tuotteet vastaavat kaikkia seuraavien direktiivien ja asetusten asiaankuuluvia vaatimuksia ja ovat seuraavien standardien vaatimusten mukaisia. Tekniset asiakirjat saatavana: * |
| el | Δήλωση πιστότητας ΕΕ Κρουστικό δρέπανο | Αριθμός ευρετηρίου | Δηλώνουμε με αποκλειστική μας ευθύνη, ότι τα αναφερόμενα προϊόντα αντιστοιχούν σε όλες τις σχετικές διατάξεις των πιο κάτω αναφερόμενων οδηγιών και κανονισμών και ταυτίζονται με τα ακόλουθα πρότυπα. Τεχνικά έγγραφα στη: * |
| tr | AB Uygunluk beyanı Darbeli matkap | Ürün kodu | Tek sorumlu olarak, tanımlanan ürünün aşağıdaki yönetmelik ve direktiflerin geçerli bütün hükümlerine ve aşağıdaki standartlara uygun olduğunu beyan ederiz. Teknik belgelerin bulunduğu yer: * |

| | | | |
|-----------|--|-----------------------|---|
| pl | Deklaracja zgodności UE Wiertarka udarowa | Numer katalogowy | Oświadczamy z pełną odpowiedzialnością, że niniejsze produkty odpowiadają wszystkim wymaganiom poniżej wyszczególnionych dyrektyw i rozporządzeń, oraz że są zgodne z następującymi normami. Dokumentacja techniczna: * |
| cs | EU prohlášení oshodě Príklepová vrtačka | Objednací číslo | Prohlašujeme na výhradní zodpovědnost, že uvedený výrobek splňuje všechny příslušné ustanovení níže uvedených směrnic a nařízení a je v souladu s následujícími normami: Technické podklady u: * |
| sk | EÚ vyhlásenie ozhode Príklepová vrtačka | Vecné číslo | Vyhlasujeme na výhradnú zodpovednosť, že uvedený výrobok spĺňa všetky príslušné ustanovenia nižšie uvedených smerníc a nariadení a je v súlade s nasledujúcimi normami: Technické podklady má spoločnosť: * |
| hu | EU konformitási nyilatkozat Ütvefűrógép | Cikkszám | Egyedüli felelősséggel kijelentjük, hogy a megnevezett termékek megfelelnek az alábbiakban felsorolásra kerülő irányelvek és rendeletek valamennyi idevágó előírásainak és megfelelnek a következő szabványoknak. Műszaki dokumentumok megőrzési pontja: * |
| ru | Заявление о соответствии ЕС Ударная дрель | Товарный № | Мы заявляем под нашу единоличную ответственность, что названные продукты соответствуют всем действующим предписаниям нижеуказанных директив и распоряжений, а также нижеуказанных норм. Техническая документация хранится у: * |
| uk | Заява про відповідність ЄС Ударний дріль | Товарний номер | Мизаявляємо під нашу одноособову відповідальність, що названі вироби відповідають усім чинним положенням нищезначених директив і розпоряджень, а також нищезначеним нормам. Технічна документація зберігається у: * |
| kk | ЕО сәйкестік мағлұдамасы Перфораторлық бурғылау құралы | Өнім нөмірі | Өз жауапкершілікпен біз аталған өнімдер төменде жьылған директикалар мен жарлықтардың тиісті қағидаларына сәйкестігін және төмендегі нормаларға сай екенін білдіреміз. Техникалық құжаттар: * |
| ro | Declarație de conformitate UE Mașină de găurit cu percție | Număr de identificare | Declarăm pe proprie răspundere că produsele menționate corespund tuturor dispozițiilor relevante ale directivelor și reglementărilor enumerate în cele ce urmează și sunt în conformitate cu următoarele standarde. Documentație tehnică la: * |
| bg | ЕС декларация за съответствие Ударна бормашина | Каталожен номер | С пълна отговорност ние декларираме, че посочените продукти отговарят на всички валидни изисквания на директивите и разпоредбите по-долу и съответства на следните стандарти. Техническа документация при: * |
| mk | EU-Изјава за сообразност Вибрациони дупчалки | Број на дел/артикл | Со целосна одговорност изјавуваме, дека опишаните производи се во согласност со сите релевантни одредби на следните регулативи и прописи и се во согласност со следните норми. Техничка документација кај: * |
| sr | EU-izjava o usaglašenosti Bušilica sa udarcima | Broj predmeta | Na sopstvenu odgovornost izjavljujemo, da navedeni proizvodi odgovaraju svim dotičnim odredbama naknadno navedenih smernica u uredba i da su u skladu sa sledećim standardima. Tehnička dokumentacija kod: * |
| sl | Izjava o skladnosti EU Udarni vrtnik | Številka artikla | Izjavljamo pod izključno odgovornostjo, da je omenjen izdelek v skladu z vsemi relevantnimi določili direktiv in uredb ter ustreza naslednjim standardom. Tehnična dokumentacija pri: * |
| hr | EU izjava o sukladnosti Udarna bušilica | Kataloški br. | Pod punom odgovornošću izjavljujemo da navedeni proizvodi odgovaraju svim relevantnim odredbama direktiva i propisima navedenima u nastavku i da su sukladni sa sljedećim normama. Tehnička dokumentacija se može dobiti kod: * |
| et | EL-vastavusdeklaratsioon Löökpüürtrell | Tootenumber | Kinnitame ainuvastutatatena, et nimetatud tooted vastavad järgnevalt loetletud direktiivide ja määruste kõikidele asjaomastele nõuetele ja on kooskõlas |

| | | | |
|---|---------------------------|--|--|
| | | jāgmiste normidega. Tehniskie dokumenti saadāvi: * | |
| lv Deklarācija par atbilstību ES standartiem | | Mēs ar pilnu atbildību paziņojam, ka šeit aplūkoti izstrādājumi atbilst visiem tālāk minētajās direktīvās un rīkojumos ietvertajām saistošajām nostādnēm, kā arī sekojošiem standartiem. Tehniskā dokumentācija no: * | |
| Triecienu riska | Izstrādājuma numurs | | |
| lt ES atbilstības deklarācija | Smūginis grēztuvās | Gaminio numeris | Atsakingai pareiškiam, kad išvardyti gaminiai atitinka visus privalomus žemiau nurodytų direktyvų ir reglamentų reikalavimus ir šiuos standartus. Techninė dokumentacija saugoma: * |
| GSB 13 | 3 601 B27 0.. | 2006/42/EC | EN 62841-1:2015 |
| GSB 13 RE | 3 601 B27 1.. | 2014/30/EU | EN 62841-2-1:2018+A11:2019 |
| GSB 16 | 3 601 B28 0.. | 2011/65/EU | EN 55014-1:2017+A11:2020 |
| GSB 16 RE | 3 601 B28 1.. | | EN 55014-2:2015 |
| | | | EN IEC 61000-3-2:2019 |
| | | | EN 61000-3-3:2013+A1:2019 |
| | | | EN IEC 63000:2018 |
| | |  BOSCH | * Robert Bosch Power Tools GmbH (PT/ECS) 70538 Stuttgart GERMANY |
| | | Henk Becker Chairman of Executive Management | Helmut Heinzelmann Head of Product Certification |
| | |  |  |
| | | Robert Bosch Power Tools GmbH, 70538 Stuttgart, GERMANY Stuttgart, 20.08.2020 | |