

Robert Bosch Power Tools GmbH
70538 Stuttgart
GERMANY

www.bosch-pt.com

1 609 92A 414 (2017.11) 0 / 46



1 609 92A 414

GSH 5X Plus Professional

 **BOSCH**

en Original instructions
fr Notice originale
pt Manual original
cn 正本使用说明书
tw 原始使用說明書
ko 사용 설명서 원본
th หนังสือคู่มือการใช้งานฉบับต้นแบบ

id Petunjuk-Petunjuk untuk Penggunaan Orisinal
vi Bản gốc hướng dẫn sử dụng
ar تعليمات التشغيل الأصلية
fa دفترچه راهنمای اصلی

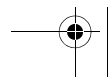
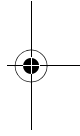


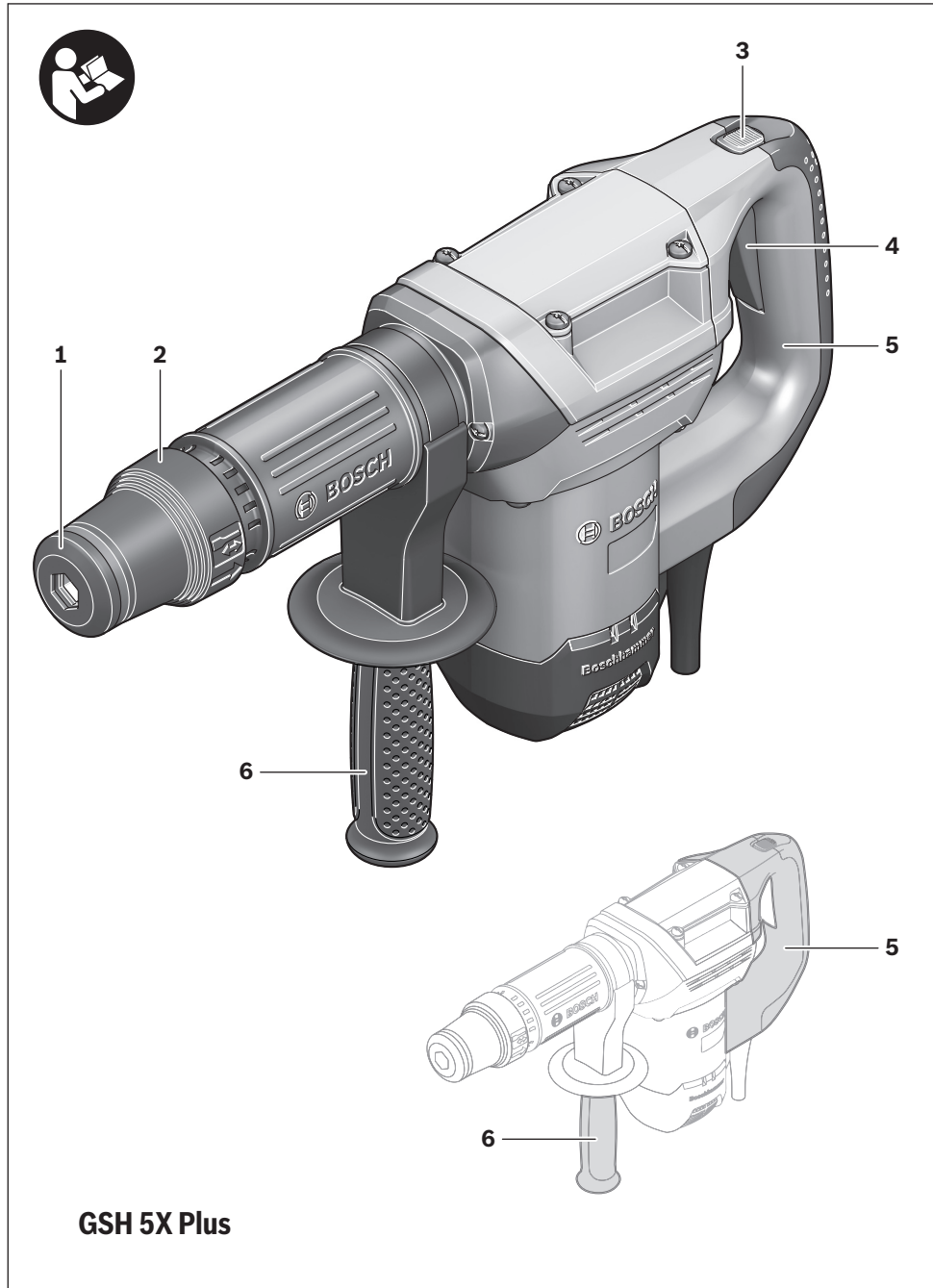


2 |

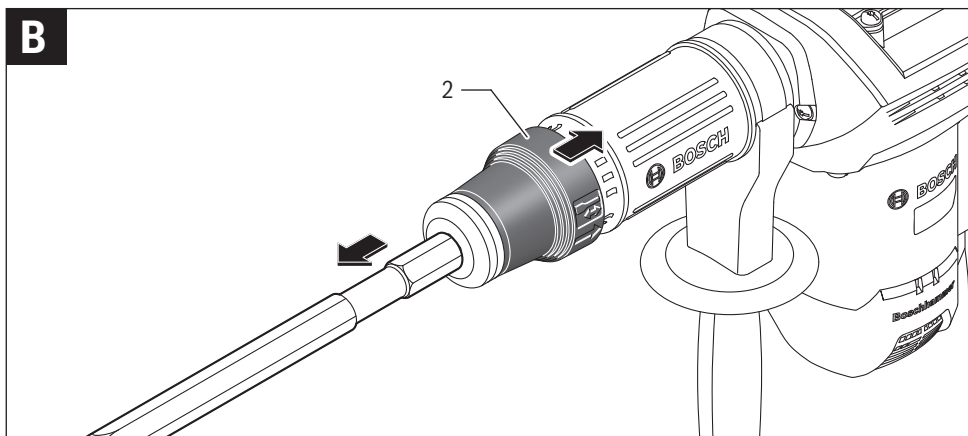
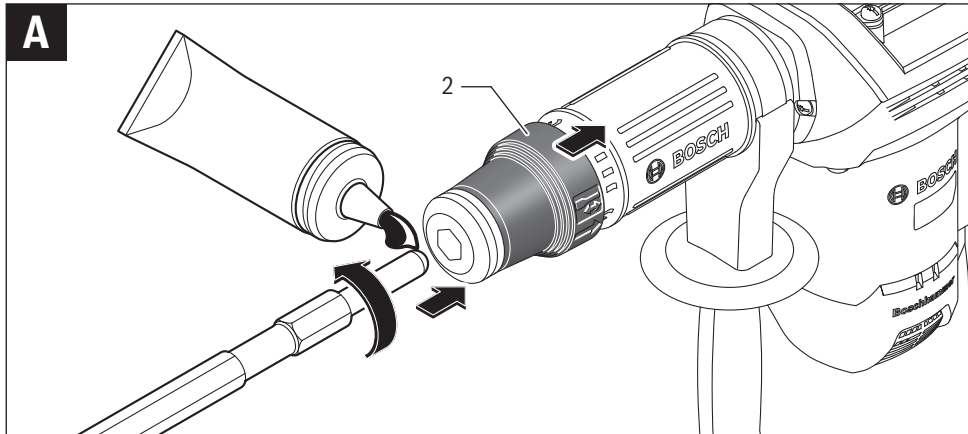


English	Page	5
Français	Page	10
Português	Página	14
中文	页	17
中文	頁	20
한국어	페이지	24
ภาษาไทย	หน้า	27
Bahasa Indonesia	Halaman	30
Tiếng Việt	Trang	34
عربي	صفحة	39
فارسی	صفحه	43

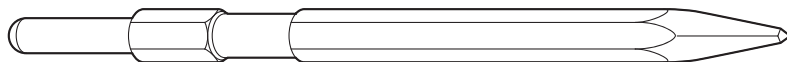




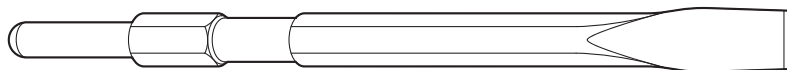
GSH 5X Plus



Hex 17 mm



2 608 684 884



2 608 684 885

English

Safety Notes

General Power Tool Safety Warnings

⚠ WARNING Read all safety warnings and all instructions. Failure to follow the warnings and instructions may result in electric shock, fire and/or serious injury.

Save all warnings and instructions for future reference.

The term "power tool" in the warnings refers to your mains-operated (corded) power tool or battery-operated (cordless) power tool.

Work area safety

- ▶ **Keep work area clean and well lit.** Cluttered or dark areas invite accidents.
- ▶ **Do not operate power tools in explosive atmospheres, such as in the presence of flammable liquids, gases or dust.** Power tools create sparks which may ignite the dust or fumes.
- ▶ **Keep children and bystanders away while operating a power tool.** Distractions can cause you to lose control.

Electrical safety

- ▶ **Power tool plugs must match the outlet. Never modify the plug in any way. Do not use any adapter plugs with earthed (grounded) power tools.** Unmodified plugs and matching outlets will reduce risk of electric shock.
- ▶ **Avoid body contact with earthed or grounded surfaces, such as pipes, radiators, ranges and refrigerators.** There is an increased risk of electric shock if your body is earthed or grounded.
- ▶ **Do not expose power tools to rain or wet conditions.** Water entering a power tool will increase the risk of electric shock.
- ▶ **Do not abuse the cord. Never use the cord for carrying, pulling or unplugging the power tool. Keep cord away from heat, oil, sharp edges and moving parts.** Damaged or entangled cords increase the risk of electric shock.
- ▶ **When operating a power tool outdoors, use an extension cord suitable for outdoor use.** Use of a cord suitable for outdoor use reduces the risk of electric shock.
- ▶ **If operating a power tool in a damp location is unavoidable, use a residual current device (RCD) protected supply.** Use of an RCD reduces the risk of electric shock.

Personal safety

- ▶ **Stay alert, watch what you are doing and use common sense when operating a power tool. Do not use a power tool while you are tired or under the influence of drugs, alcohol or medication.** A moment of inattention while operating power tools may result in serious personal injury.
- ▶ **Use personal protective equipment. Always wear eye protection.** Protective equipment such as dust mask, non-skid safety shoes, hard hat, or hearing protection used for appropriate conditions will reduce personal injuries.

▶ **Prevent unintentional starting. Ensure the switch is in the off-position before connecting to power source and/or battery pack, picking up or carrying the tool.**

Carrying power tools with your finger on the switch or energising power tools that have the switch on invites accidents.

- ▶ **Remove any adjusting key or wrench before turning the power tool on.** A wrench or a key left attached to a rotating part of the power tool may result in personal injury.
- ▶ **Do not overreach. Keep proper footing and balance at all times.** This enables better control of the power tool in unexpected situations.
- ▶ **Dress properly. Do not wear loose clothing or jewellery. Keep your hair, clothing and gloves away from moving parts.** Loose clothes, jewellery or long hair can be caught in moving parts.
- ▶ **If devices are provided for the connection of dust extraction and collection facilities, ensure these are connected and properly used.** Use of dust collection can reduce dust-related hazards.

Power tool use and care

- ▶ **Do not force the power tool. Use the correct power tool for your application.** The correct power tool will do the job better and safer at the rate for which it was designed.
- ▶ **Do not use the power tool if the switch does not turn it on and off.** Any power tool that cannot be controlled with the switch is dangerous and must be repaired.
- ▶ **Disconnect the plug from the power source and/or the battery pack from the power tool before making any adjustments, changing accessories, or storing power tools.** Such preventive safety measures reduce the risk of starting the power tool accidentally.
- ▶ **Store idle power tools out of the reach of children and do not allow persons unfamiliar with the power tool or these instructions to operate the power tool.** Power tools are dangerous in the hands of untrained users.
- ▶ **Maintain power tools. Check for misalignment or binding of moving parts, breakage of parts and any other condition that may affect the power tool's operation. If damaged, have the power tool repaired before use.** Many accidents are caused by poorly maintained power tools.
- ▶ **Keep cutting tools sharp and clean.** Properly maintained cutting tools with sharp cutting edges are less likely to bind and are easier to control.
- ▶ **Use the power tool, accessories and tool bits etc. in accordance with these instructions, taking into account the working conditions and the work to be performed.** Use of the power tool for operations different from those intended could result in a hazardous situation.

Service

- ▶ **Have your power tool serviced by a qualified repair person using only identical replacement parts.** This will ensure that the safety of the power tool is maintained.

6 | English

Hammer Safety Warnings

- ▶ **Wear ear protectors.** Exposure to noise can cause hearing loss.
- ▶ **Use auxiliary handle(s), if supplied with the tool.** Loss of control can cause personal injury.
- ▶ **Hold power tool by insulated gripping surfaces, when performing an operation where the cutting accessory may contact hidden wiring or its own cord.** Cutting accessory contacting a "live" wire may make exposed metal parts of the power tool "live" and could give the operator an electric shock.
- ▶ **Use suitable detectors to determine if utility lines are hidden in the work area or call the local utility company for assistance.** Contact with electric lines can lead to fire and electric shock. Damaging a gas line can lead to explosion. Penetrating a water line causes property damage or may cause an electric shock.
- ▶ **When working with the machine, always hold it firmly with both hands and provide for a secure stance.** The power tool is guided more secure with both hands.
- ▶ **Secure the workpiece.** A workpiece clamped with clamping devices or in a vice is held more secure than by hand.
- ▶ **Always wait until the machine has come to a complete stop before placing it down.** The tool insert can jam and lead to loss of control over the power tool.

Products sold in GB only: Your product is fitted with an BS 1363/A approved electric plug with internal fuse (ASTA approved to BS 1362).

If the plug is not suitable for your socket outlets, it should be cut off and an appropriate plug fitted in its place by an authorised customer service agent. The replacement plug should have the same fuse rating as the original plug. The severed plug must be disposed of to avoid a possible shock hazard and should never be inserted into a mains socket elsewhere.

Product Description and Specifications

Read all safety warnings and all instructions. Failure to follow the warnings and instructions may result in electric shock, fire and/or serious injury.

Intended Use

The machine is intended for chiselling work in concrete, brick, masonry and asphalt as well as for driving in and compacting, when using the respective accessories.

Product Features

The numbering of the product features refers to the illustration of the machine on the graphics page.

- 1 Dust protection cap
- 2 Locking sleeve
- 3 Lock-on button for On/Off switch
- 4 On/Off switch

- 5 Handle (insulated gripping surface)
- 6 Auxiliary handle (insulated gripping surface)

Accessories shown or described are not part of the standard delivery scope of the product. A complete overview of accessories can be found in our accessories program.

Technical Data

Demolition Hammer	GSH 5X Plus	
Article number		3 611 C38 2..
Rated power input	W	1025
Impact rate	min ⁻¹	2750
Impact energy per stroke according to EPTA-Procedure 05/2009	J	6.8
Tool holder		17 mm Hex
Lubrication		Grease lubrication
Weight according to EPTA-Procedure 01:2014	kg	5.5
Protection class		□/II

The values given are valid for a nominal voltage [U] of 230 V. For different voltages and models for specific countries, these values can vary.

Assembly

- ▶ **Before any work on the machine itself, pull the mains plug.**

Auxiliary Handle

- ▶ **Operate your machine only with the auxiliary handle 6.**

The auxiliary handle **6** can be set to any position for a secure and low-fatigue working posture.

- Turn the bottom part of the auxiliary handle **6** in counter-clockwise direction and swivel the auxiliary handle **6** to the desired position. Then retighten the bottom part of the auxiliary handle **6** by turning in clockwise direction.

Changing the Tool

The Hex tool holder allows for simple and convenient tool-free changing of the application tool.

The dust protection cap **1** largely prevents the entry of drilling dust into the tool holder during operation. When inserting the tool, take care that the dust protection cap **1** is not damaged.

- ▶ **A damaged dust protection cap should be changed immediately. We recommend having this carried out by an after-sales service.**

Inserting (see figure A)

- Clean and lightly grease the shank end of the tool.
- Push back the locking sleeve **2** and insert the tool in a twisting manner into the tool holder. Release the locking sleeve **2** again in order to lock the tool.
- Check the latching by pulling the tool.

Removing (see figure B)

- Push back the locking sleeve **2** and remove the tool.

Dust/Chip Extraction

- ▶ Dust from materials such as lead-containing coatings, some wood types, minerals and metal can be harmful to one's health. Touching or breathing-in the dust can cause allergic reactions and/or lead to respiratory infections of the user or bystanders.
 - Certain dust, such as oak or beech dust, is considered carcinogenic, especially in connection with wood-treatment additives (chromate, wood preservative). Materials containing asbestos may only be worked by specialists.
 - Provide for good ventilation of the working place.
 - It is recommended to wear a P2 filter-class respirator.
- Observe the relevant regulations in your country for the materials to be worked.

Operation

Starting Operation

- ▶ **Observe correct mains voltage! The voltage of the power source must agree with the voltage specified on the nameplate of the machine. Power tools marked with 230 V can also be operated with 220 V.**

Products sold in AUS and NZ only: Use a residual current device (RCD) with a rated residual current of 30 mA or less.

To save energy, only switch the power tool on when using it.

Switching On and Off

- To **start** the machine, press the On/Off switch **4** and keep it pressed.
- To **lock** the pressed On/Off switch **4**, press the lock-on button **3**.
- To **switch off** the machine, release the On/Off switch **4** or when it is locked with the lock-on button **3**, briefly press the On/Off switch **4** and then release it.

For low temperatures, the machine reaches the full impact rate only after a certain time.

This start-up time can be shortened by striking the chisel in the machine against the floor one time.

Working Advice

- ▶ **Before any work on the machine itself, pull the mains plug.**

Sharpening Chisels

Good results are only achieved with sharp chisels; therefore, sharpen the chiselling tools in good time. This ensures a long service life of the tools and good working performance.

Re-sharpening

Sharpen chiselling tools using grinding wheels (e. g. ceramic bonded corundum wheel) with a steady supply of water. Take care that no annealing coloration appears on the cutting edges; this impairs the hardness of the chiselling tools.

For **forging**, heat the chisel to between 850 and 1050 °C (bright red to yellow).

For **hardening**, heat the chisel to approx. 900 °C and quench in oil. Then anneal in an oven for approx. one hour at 320 °C (annealing colour = light blue).

Maintenance and Service

Maintenance and Cleaning

- ▶ **Before any work on the machine itself, pull the mains plug.**
- ▶ **For safe and proper working, always keep the machine and ventilation slots clean.**
- ▶ **A damaged dust protection cap should be changed immediately. We recommend having this carried out by an after-sales service.**

If the replacement of the supply cord is necessary, this has to be done by Bosch or an authorized Bosch service agent in order to avoid a safety hazard.

Power Tool Lubrication

The power tool is grease-lubricated. Replacement of the lubricating grease is required only during maintenance or repair through an authorised customer services agent for Bosch power tools. Here, it is essential that the specified Bosch lubricating grease is used.

After-sales Service and Application Service

Our after-sales service responds to your questions concerning maintenance and repair of your product as well as spare parts. Exploded views and information on spare parts can also be found under:

www.bosch-pt.com

Bosch's application service team will gladly answer questions concerning our products and their accessories.

In all correspondence and spare parts orders, please always include the 10-digit article number given on the nameplate of the product.

Cambodia

Robert Bosch (Cambodia) Co., Ltd
Unit 8BC, GT Tower, 08th Floor, Street 169,
Czechoslovakia Blvd, Sangkat Veal Vong
Khan 7 Makara, Phnom Penh
VAT TIN: 100 169 511
Tel.: +855 23 900 685
Tel.: +855 23 900 660
www.bosch.com.kh

People's Republic of China

China Mainland

Bosch Power Tools (China) Co., Ltd.
567, Bin Kang Road
Bin Jiang District 310052
Hangzhou, P. R. China
Tel.: 4008268484
Fax: (0571) 87774502
E-Mail: contact.ptcn@cn.bosch.com
www.bosch-pt.com.cn

8 | English**HK and Macau Special Administrative Regions**

Robert Bosch Co. Ltd.
21st Floor, 625 King's Road
North Point, Hong Kong
Customer Service Hotline: +852 2101 0235
Tel.: +852 2590 9762
E-Mail: info@hk.bosch.com
www.bosch-pt.com.hk

India

Bosch Service Center
69, Habibullah Road, (Next to PSBB School), T. Nagar
Chennai – 600077
Phone: (044) 64561816

Bosch Service Center Rishyamook
85A, Panchkuin Road
New Delhi – 110001
Phone: (011) 43166190

Bosch Service Center
79, Crystal Bldg., Dr. Annie Besant Road, Worli
Mumbai – 400018
Phone: (022) 39569936 / (022) 39569959 /
(022) 39569967 / (022) 24952071

Indonesia

PT Robert Bosch
Palma Tower 10th Floor
Jalan RA Kartini II-S Kaveling 6
Pondok Pinang, Kebayoran Lama
Jakarta Selatan 12310
Tel.: (21) 3005-5800
www.bosch-pt.co.id

Malaysia

Robert Bosch Sdn. Bhd. (220975-V) PT/SMY
No. 8A, Jalan 13/6
46200 Petaling Jaya
Selangor
Tel.: (03) 79663194
Toll-Free: 1800 880188
Fax: (03) 79583838
E-Mail: kiathoe.chong@my.bosch.com
www.bosch-pt.com.my

Pakistan

Robert Bosch Middle East FZE – Pakistan Liaison Office
2nd Floor Plaza # 10, CCA Block, DHA Phase 5
Lahore, 54810
Phone: +92(303)4444311
Email: Faisal.Khan@bosch.com

Philippines

Robert Bosch, Inc.
28th Floor Fort Legend Towers,
3rd Avenue corner 31st Street,
Fort Bonifacio, Global City,
1634 Taguig City
Tel.: (632) 8703871
Fax: (632) 8703870
www.bosch-pt.com.ph

Singapore

Powerwell Service Centre Ptd Ltd
Bosch Authorised Service Centre (Power Tools)
4012 Ang Mo Kio Ave 10, #01-02 TECHplace
Singapore 569628
Tel.: 6452 1770
Fax: 6452 1760
E-Mail: ask@powerwellsc.com
www.powerwellsc.com
www.bosch-pt.com.sg

Thailand

Robert Bosch Ltd.
Liberty Square Building
No. 287, 11 Floor
Silom Road, Bangrak
Bangkok 10500
Tel.: 02 63931111
Fax: 02 2384783
Robert Bosch Ltd., P. O. Box 2054
Bangkok 10501
www.bosch.co.th

Bosch Service – Training Centre
La Salle Tower Ground Floor Unit No.2
10/11 La Salle Moo 16
Srinakharin Road
Bangkaew, Bang Plee
Samutprakarn 10540
Tel.: 02 7587555
Fax: 02 7587525

Vietnam

Branch of Bosch Vietnam Co., Ltd in HCMC
Floor 10, 194 Golden Building
473 Dien Bien Phu Street
Ward 25, Binh Thanh District, Ho Chi Minh City
Tel.: (08) 6258 3690
Fax: (08) 6258 3692
Hotline: (08) 6250 8555
www.bosch-pt.com.vn

Armenia, Azerbaijan, Georgia, Kyrgyzstan, Mongolia, Tajikistan, Turkmenistan, Uzbekistan

TOO "Robert Bosch" Power Tools, After Sales Service
Rayimbek Ave., 169/1
050050, Almaty, Kazakhstan
Service Email: service.pt.ka@bosch.com
Official Website: www.bosch.com, www.bosch-pt.com

Bahrain

Hatem Al Juffali Technical Equipment Establishment.
Kingdom of Bahrain, Setra Highway, Al Aker Area
Phone: +966126971777-311
Fax: +97317704257
Email: h.berjas@ejb.com.sa

Egypt

Unimar
20 Markaz kadmat
El tagmoa EL Aoul – New Cairo
Phone: +20 2224 76091-95
Phone: +20 2224 78072-73
Fax: +20 2224 78075
Email: adelzaki@unimaregypt.com

Iran

Robert Bosch Iran
3rd Floor, No 3, Maadiran Building
Aftab St., Khodami St., Vanak Sq.
Tehran 1994834571
Phone: +9821- 86092057

Iraq

Sahba Technology Group
Al Muthana airport road
Baghdad
Phone: +9647901906953
Phone Dubai: +97143973851
Email: bosch@sahbatechnology.com

Jordan

Roots Arabia – Jordan
Nasser Bin Jameel street, Building 37 Al Rabiah
11194 Amman
Phone: +962 6 5545778
Email: bosch@rootsjordan.com

Kuwait

Al Qurain Automotive Trading Company
Shuwaikh Industrial Area, Block 1, Plot 16, Street 3rd
P.O. Box 164 – Safat 13002
Phone: 24810844
Fax: 24810879
E-mail: josephkr@aaalmutawa.com

Lebanon

Tehini Hana & Co. S.A.R.L.
P.O. Box 90-449
Jdeideh
Dora-Beirut
Phone: +9611255211
Email: service-pt@tehini-hana.com

Libya

El Naser for Workshop Tools
Swanee Road, Alfalah Area
Tripoli
Phone: +218 21 4811184

Oman

Malatan Trading & Contracting LLC
P.O. Box 131
Ruwi, 112 Sultanate of Oman
Phone: +968 99886794
Email: malatanpowertools@malatan.net

Qatar

International Construction Solutions W L L
P. O. Box 51, Doha
Phone: +974 40065458
Fax: +974 4453 8585
Email: csd@icsdoha.com

Saudi Arabia

Juffali Technical Equipment Co. (JTECO)
Kilo 14, Madinah Road, Al Bawadi District
Jeddah 21431
Phone: +966 2 6672222 Ext. 1528
Fax: +966 2 6676308
Email: roland@ejab.com.sa

Syria

Dallal Establishment for Power Tools
P.O. Box 1030
Aleppo
Phone: +963212116083
Email: rita.dallal@hotmail.com

United Arab Emirates

Central Motors & Equipment LLC, P.O. Box 1984
Al-Wahda Street – Old Sana Building
Sharjah
Phone: +971 6 593 2777
Fax: +971 6 533 2269
Email: powertools@centralmotors.ae

Yemen

Abualrejal Trading Corporation
Sana'a Zubieri St. Front to new Parliament Building
Phone: +967-1-202010
Fax: +967-1-279029
Email: tech-tools@abualrejal.com

Ethiopia

Forever plc
Kebele 2,754, BP 4806,
Addis Ababa
Phone: +251 111 560 600
Email: foreverplc@ethionet.et

Ghana

C.WOERMANN LTD.
Nsawam Road/Avenor Junction, P.O. Box 1779
Accra
Phone: +233 302 225 141

Kenya

Robert Bosch East Africa Ltd
Mpaka Road P.O. Box 856
00606 Nairobi

Nigeria

Robert Bosch Nigeria Ltd.
52 – 54 Isaac John Street P.O. Box
GRA Ikeja – Lagos

Republic of South Africa

Customer service
Hotline: (011) 6519600

10 | Français

Gauteng – BSC Service Centre

35 Roper Street, New Centre
Johannesburg
Tel.: (011) 4939375
Fax: (011) 4930126
E-Mail: bsctools@icon.co.za

KZN – BSC Service Centre

Unit E, Almar Centre
143 Crompton Street
Pinetown
Tel.: (031) 7012120
Fax: (031) 7012446
E-Mail: bsc.dur@za.bosch.com

Western Cape – BSC Service Centre

Democracy Way, Prosperity Park
Milnerton
Tel.: (021) 5512577
Fax: (021) 5513223
E-Mail: bsc@zsd.co.za

Bosch Headquarters

Midrand, Gauteng
Tel.: (011) 6519600
Fax: (011) 6519880
E-Mail: rbsa-hq.pts@za.bosch.com

Tanzania

Diesel & Autoelectric Service Ltd.
117 Nyerere Rd., P.O. Box 70839
Vingunguti 12109, Dar Es Salaam
Phone: +255 222 861 793/794

Australia, New Zealand and Pacific Islands

Robert Bosch Australia Pty. Ltd.
Power Tools
Locked Bag 66
Clayton South VIC 3169
Customer Contact Center
Inside Australia:
Phone: (01300) 307044
Fax: (01300) 307045

Inside New Zealand:
Phone: (0800) 543353
Fax: (0800) 428570

Outside AU and NZ:
Phone: +61 3 95415555
www.bosch-pt.com.au
www.bosch-pt.co.nz

Disposal

The machine, accessories and packaging should be sorted for environmental-friendly recycling.



Do not dispose of power tools into household waste!

Subject to change without notice.

Français**Avertissements de sécurité****Avertissements de sécurité généraux pour l'outil**

⚠ AVERTISSEMENT Lire tous les avertissements de sécurité et toutes les instructions. Ne pas suivre les avertissements et instructions peut donner lieu à un choc électrique, un incendie et/ou une blessure sérieuse.

Conserver tous les avertissements et toutes les instructions pour pouvoir s'y reporter ultérieurement.

Le terme « outil » dans les avertissements fait référence à votre outil électrique alimenté par le secteur (avec cordon d'alimentation) ou votre outil fonctionnant sur batterie (sans cordon d'alimentation).

Sécurité de la zone de travail

- ▶ **Conserver la zone de travail propre et bien éclairée.** Les zones en désordre ou sombres sont propices aux accidents.
- ▶ **Ne pas faire fonctionner les outils électriques en atmosphère explosive, par exemple en présence de liquides inflammables, de gaz ou de poussières.** Les outils électriques produisent des étincelles qui peuvent enflammer les poussières ou les fumées.
- ▶ **Maintenir les enfants et les personnes présentes à l'écart pendant l'utilisation de l'outil.** Les distractions peuvent vous faire perdre le contrôle de l'outil.

Sécurité électrique

- ▶ **Il faut que les fiches de l'outil électrique soient adaptées au socle. Ne jamais modifier la fiche de quelque façon que ce soit. Ne pas utiliser d'adaptateurs avec des outils à branchement de terre.** Des fiches non modifiées et des socles adaptés réduiront le risque de choc électrique.
- ▶ **Éviter tout contact du corps avec des surfaces reliées à la terre telles que les tuyaux, les radiateurs, les cuisinières et les réfrigérateurs.** Il existe un risque accru de choc électrique si votre corps est relié à la terre.
- ▶ **Ne pas exposer les outils à la pluie ou à des conditions humides.** La pénétration d'eau à l'intérieur d'un outil augmentera le risque de choc électrique.
- ▶ **Ne pas maltraiter le cordon. Ne jamais utiliser le cordon pour porter, tirer ou débrancher l'outil. Maintenir le cordon à l'écart de la chaleur, du lubrifiant, des arêtes ou des parties en mouvement.** Les cordons endommagés ou emmêlés augmentent le risque de choc électrique.
- ▶ **Lorsqu'on utilise un outil à l'extérieur, utiliser un prolongateur adapté à l'utilisation extérieure.** L'utilisation d'un cordon adapté à l'utilisation extérieure réduit le risque de choc électrique.
- ▶ **Si l'usage d'un outil dans un emplacement humide est inévitable, utiliser une alimentation protégée par un dispositif à courant différentiel résiduel (RCD).** L'usage d'un RCD réduit le risque de choc électrique.

Sécurité des personnes

- ▶ **Rester vigilant, regarder ce que vous êtes en train de faire et faire preuve de bon sens dans l'utilisation de l'outil. Ne pas utiliser un outil lorsque vous êtes fatigué ou sous l'emprise de drogues, d'alcool ou de médicaments.** Un moment d'inattention en cours d'utilisation d'un outil peut entraîner des blessures graves des personnes.
- ▶ **Utiliser un équipement de sécurité. Toujours porter une protection pour les yeux.** Les équipements de sécurité tels que les masques contre les poussières, les chaussures de sécurité antidérapantes, les casques ou les protections acoustiques utilisés pour les conditions appropriées réduiront les blessures des personnes.
- ▶ **Éviter tout démarrage intempestif. S'assurer que l'interrupteur est en position arrêt avant de brancher l'outil au secteur et/ou au bloc de batteries, de le ramasser ou de le porter.** Porter les outils en ayant le doigt sur l'interrupteur ou brancher des outils dont l'interrupteur est en position marche est source d'accidents.
- ▶ **Retirer toute clé de réglage avant de mettre l'outil en marche.** Une clé laissée fixée sur une partie tournante de l'outil peut donner lieu à des blessures de personnes.
- ▶ **Ne pas se précipiter. Garder une position et un équilibre adaptés à tout moment.** Cela permet un meilleur contrôle de l'outil dans des situations inattendues.
- ▶ **S'habiller de manière adaptée. Ne pas porter de vêtements amples ou de bijoux. Garder les cheveux, les vêtements et les gants à distance des parties en mouvement.** Des vêtements amples, des bijoux ou les cheveux longs peuvent être pris dans des parties en mouvement.
- ▶ **Si des dispositifs sont fournis pour le raccordement d'équipements pour l'extraction et la récupération des poussières, s'assurer qu'ils sont connectés et correctement utilisés.** Utiliser des collecteurs de poussière peut réduire les risques dus aux poussières.

Utilisation et entretien de l'outil

- ▶ **Ne pas forcer l'outil. Utiliser l'outil adapté à votre application.** L'outil adapté réalisera mieux le travail et de manière plus sûre au régime pour lequel il a été construit.
- ▶ **Ne pas utiliser l'outil si l'interrupteur ne permet pas de passer de l'état de marche à arrêt et vice versa.** Tout outil qui ne peut pas être commandé par l'interrupteur est dangereux et il faut le faire réparer.
- ▶ **Débrancher la fiche de la source d'alimentation en courant et/ou le bloc de batteries de l'outil avant tout réglage, changement d'accessoires ou avant de ranger l'outil.** De telles mesures de sécurité préventives réduisent le risque de démarrage accidentel de l'outil.
- ▶ **Conserver les outils à l'arrêt hors de la portée des enfants et ne pas permettre à des personnes ne connaissant pas l'outil ou les présentes instructions de le faire fonctionner.** Les outils sont dangereux entre les mains d'utilisateurs novices.

- ▶ **Observer la maintenance de l'outil. Vérifier qu'il n'y a pas de mauvais alignement ou de blocage des parties mobiles, des pièces cassées ou toute autre condition pouvant affecter le fonctionnement de l'outil. En cas de dommages, faire réparer l'outil avant de l'utiliser.** De nombreux accidents sont dus à des outils mal entretenus.
- ▶ **Garder affûtés et propres les outils permettant de couper.** Des outils destinés à couper correctement entretenus avec des pièces coupantes tranchantes sont moins susceptibles de bloquer et sont plus faciles à contrôler.
- ▶ **Utiliser l'outil, les accessoires et les lames etc., conformément à ces instructions, en tenant compte des conditions de travail et du travail à réaliser.** L'utilisation de l'outil pour des opérations différentes de celles prévues pourrait donner lieu à des situations dangereuses.

Maintenance et entretien

- ▶ **Faire entretenir l'outil par un réparateur qualifié utilisant uniquement des pièces de rechange identiques.** Cela assurera que la sécurité de l'outil est maintenue.

Avertissements de sécurité pour les marteaux

- ▶ **Portez des protections auditives.** L'exposition aux bruits peut provoquer une perte de l'audition.
- ▶ **Utiliser la(les) poignée(s) auxiliaire(s) fournie(s) avec l'outil.** La perte de contrôle peut provoquer des blessures.
- ▶ **Tenir l'outil par les surfaces de préhension isolées, lors de la réalisation d'une opération au cours de laquelle l'organe de coupe peut entrer en contact avec un câblage non apparent ou son propre cordon d'alimentation.** Le contact avec un fil « sous tension » peut également mettre « sous tension » les parties métalliques exposées de l'outil électrique et provoquer un choc électrique sur l'opérateur.
- ▶ **Utiliser des détecteurs appropriés afin de déceler des conduites cachées ou consulter les entreprises d'approvisionnement locales.** Un contact avec des lignes électriques peut provoquer un incendie ou un choc électrique. Un endommagement d'une conduite de gaz peut provoquer une explosion. La perforation d'une conduite d'eau provoque des dégâts matériels et peut provoquer un choc électrique.
- ▶ **Toujours bien tenir l'outil électroportatif des deux mains et veiller à toujours garder une position de travail stable.** Avec les deux mains, l'outil électroportatif est guidé de manière plus sûre.
- ▶ **Bloquer la pièce à travailler.** Une pièce à travailler serrée par des dispositifs de serrage appropriés ou dans un étau est fixée de manière plus sûre que tenue dans les mains.
- ▶ **Avant de déposer l'outil électroportatif, attendre que celui-ci soit complètement à l'arrêt.** L'outil risque de se coincer, ce qui entraînerait une perte de contrôle de l'outil électroportatif.

12 | Français

Description et performances du produit



Il est impératif de lire toutes les consignes de sécurité et toutes les instructions. Le non-respect des avertissements et instructions indiqués ci-après peut conduire à une électrocution, un incendie et/ou de graves blessures.

Utilisation conforme

L'appareil est conçu pour des travaux de burinage dans le béton, la brique, la pierre et l'asphalte ainsi que, lorsqu'il est muni d'accessoires adéquats, pour des travaux d'enfoncement et de compactage.

Éléments de l'appareil

La numérotation des éléments de l'appareil se réfère à la représentation de l'outil électroportatif sur la page graphique.

- 1 Capuchon anti-poussière
- 2 Bague de verrouillage
- 3 Bouton de blocage de l'interrupteur Marche/Arrêt
- 4 Interrupteur Marche/Arrêt
- 5 Poignée (surface de préhension isolante)
- 6 Poignée supplémentaire (surface de préhension isolante)

Les accessoires décrits ou illustrés ne sont pas tous compris dans la fourniture. Vous trouverez les accessoires complets dans notre programme d'accessoires.

Caractéristiques techniques

Marteau piqueur		GSH 5X Plus
N° d'article		3 611 C38 2..
Puissance nominale absorbée	W	1025
Nombre de chocs	min ⁻¹	2750
Puissance de frappe individuelle suivant EPTA-Procédure 05/2009	J	6,8
Porte-outil		17 mm
		Hex
Graissage		Graisse de lubrification
Poids suivant EPTA-Procédure 01:2014	kg	5,5
Classe de protection		□/II

Ces indications sont valables pour une tension nominale de [U] 230 V. Ces indications peuvent varier pour des tensions plus basses ainsi que pour des versions spécifiques à certains pays.

Montage

- ▶ **Avant d'effectuer des travaux sur l'outil électroportatif, retirez la fiche de la prise de courant.**

Poignée supplémentaire

- ▶ **N'utilisez l'outil électroportatif qu'avec la poignée supplémentaire 6.**

La poignée supplémentaire **6** peut être basculée dans n'importe quelle position, afin d'obtenir une position de travail sûre et peu fatigante.

- Tournez la pièce inférieure de la poignée supplémentaire **6** dans le sens inverse des aiguilles d'une montre et orientez la poignée supplémentaire **6** vers la position souhaitée. Ensuite, resserrez la pièce inférieure de la poignée supplémentaire **6** en la tournant dans le sens des aiguilles d'une montre.

Changement d'outil

Le porte-outil Hex permet de changer d'accessoire de travail facilement et rapidement sans aucun autre outil.

Le capuchon anti-poussière **1** empêche dans une large mesure la poussière de pénétrer dans le porte-outil pendant le service de l'appareil. Lors du montage de l'outil, veillez à ne pas endommager le capuchon anti-poussière **1**.

- ▶ **Remplacez immédiatement un capuchon anti-poussière endommagé. Il est recommandé de faire effectuer ce travail par un service après-vente.**

Montage des outils de travail (voir figure A)

- Nettoyez l'extrémité de l'outil, et graissez-le légèrement.
- Poussez la douille de verrouillage **2** vers l'arrière et introduisez l'outil de travail dans le porte-outil en le tournant. Relâchez la douille de verrouillage **2** afin de bloquer l'outil de travail.
- Vérifiez si l'outil est bien encliqueté en tirant sur ce dernier.

Sortir l'outil de travail (voir figure B)

- Poussez la douille de verrouillage **2** vers l'arrière et sortez l'outil de travail.

Aspiration de poussières/de copeaux

- ▶ Les poussières de matériaux tels que peintures contenant du plomb, certains bois, minéraux ou métaux, peuvent être nuisibles à la santé. Entrer en contact ou aspirer les poussières peut entraîner des réactions allergiques et/ou des maladies respiratoires auprès de l'utilisateur ou de personnes se trouvant à proximité.

Certaines poussières telles que les poussières de chêne ou de hêtre sont considérées comme cancérogènes, surtout en association avec des additifs pour le traitement du bois (chromate, lazure). Les matériaux contenant de l'amiante ne doivent être travaillés que par des personnes qualifiées.

- Veillez à bien aérer la zone de travail.
- Il est recommandé de porter un masque respiratoire avec un niveau de filtration de classe P2.

Respectez les règlements spécifiques aux matériaux à traiter en vigueur dans votre pays.

Mise en marche

Mise en service

- ▶ **Tenez compte de la tension du réseau ! La tension de la source de courant doit correspondre aux indications se trouvant sur la plaque signalétique de l'outil électroportatif. Les outils électroportatifs marqués 230 V peuvent également fonctionner sur 220 V.**

Afin d'économiser l'énergie, ne mettez l'outil électroportatif en marche que quand vous l'utilisez.

Mise en Marche/Arrêt

- Pour **mettre** l'outil électroportatif **en marche**, appuyez sur l'interrupteur Marche/Arrêt **4** et maintenez-le appuyé.
- Pour **bloquer** l'interrupteur Marche/Arrêt en fonction **4**, appuyez sur le bouton de blocage **3**.
- Pour **arrêter** l'appareil électroportatif, relâchez l'interrupteur Marche/Arrêt **4** ou, s'il est bloqué par le bouton de blocage **3**, appuyez brièvement sur l'interrupteur Marche/Arrêt **4**, puis relâchez-le.

Par de basses températures, l'appareil électroportatif n'atteint sa pleine puissance de percussion qu'au bout d'un certain temps.

On peut raccourcir le temps de démarrage en heurtant une seule l'outil de travail monté contre le sol.

Instructions d'utilisation

- ▶ **Avant d'effectuer des travaux sur l'outil électroportatif, retirez la fiche de la prise de courant.**

Affûtage des outils de burinage

C'est seulement avec des outils de burinage affûtés que l'on obtient de bons résultats, donc affûtez les outils de burinage à temps. Ceci permet d'obtenir une longue durée de vie des outils et de bons résultats de travail.

Affûtage

Affûtez les burins avec des meules au corindon raffiné par ex., sous un arrosage régulier. Veillez à ce qu'il n'apparaisse pas de couleurs de revenu ; celles-ci altèrent la dureté des burins.

Pour **la forge**, chauffez le burin à une température se situant entre 850 et 1050 °C (rouge claire à jaune).

Pour **le durcissement**, chauffez le burin à env. 900 °C et refroidissez-le dans de l'huile. Ensuite, faites-le revenir dans le four pendant une heure env. à 320 °C (couleur bleu clair).

Entretien et Service Après-Vente

Nettoyage et entretien

- ▶ **Avant d'effectuer des travaux sur l'outil électroportatif, retirez la fiche de la prise de courant.**
- ▶ **Veillez à ce que l'outil électroportatif ainsi que les ouïes de ventilation soient toujours propres afin d'obtenir un travail impeccable et sûr.**
- ▶ **Remplacez immédiatement un capuchon anti-poussière endommagé. Il est recommandé de faire effectuer ce travail par un service après-vente.**

Si le remplacement du câble d'alimentation est nécessaire, ceci ne doit être effectué que par Bosch ou une station de Service Après-Vente agréée pour outillage Bosch afin d'éviter des dangers de sécurité.

Lubrification de l'outil électrique

L'outil électroportatif est lubrifié par de la graisse. La graisse de lubrification n'a besoin d'être remplacée que dans le cadre d'un entretien ou d'une réparation dans une station de Service Après-Vente agréée pour outillage électroportatif Bosch. Il est impératif d'utiliser la graisse de lubrification Bosch préconisée.

Service Après-Vente et Assistance

Notre Service Après-Vente répond à vos questions concernant la réparation et l'entretien de votre produit et les pièces de rechange. Vous trouverez des vues éclatées ainsi que des informations concernant les pièces de rechange également sous :

www.bosch-pt.com

Les conseillers techniques et assistants Bosch sont à votre disposition pour répondre à vos questions concernant nos produits et leurs accessoires.

Pour toute demande de renseignement ou commande de pièces de rechange, précisez-nous impérativement le numéro d'article à dix chiffres indiqué sur la plaque signalétique du produit.

Algeria

Siestal
Zone Industrielle Ihaddaden
06000 Bejaia
Tel. : + 213 (0) 982 400 991/2
Fax : + 213 (0) 3 420 1569
E-Mail : sav@siestal-dz.com

Morocco

Robert Bosch Morocco SARL
53, Rue Lieutenant Mahroud Mohamed
20300 Casablanca
E-Mail : sav.outillage@ma.bosch.com

Tunisia

Robert Bosch Tunisie SARL
7 Rue Ibn Battouta Z. I. Saint Gobain
Mégrine Riadh
2014 Ben Arous
Tél. : + 216 71 427 496/879
Fax : + 216 71 428 621
E-Mail : sav.outillage@tn.bosch.com

Côte d'Ivoire

Rimco
ZONE 3, 9 RUE DU CANAL
01 BP V230, Abidjan 01
Tel. : + 225 21 25 93 38

Sénégal

Bernabé
Km 2,5 – Bd du Centenaire de la Commune de Dakar
B.P. 2098 DAKAR
Tel. : + 221 33 849 01 01
Fax : + 221 33 823 34 20

14 | Português

Élimination des déchets

Les outils électroportatifs, ainsi que leurs accessoires et emballages, doivent pouvoir suivre chacun une voie de recyclage appropriée.



Ne jetez pas les outils électroportatifs avec les ordures ménagères !

Sous réserve de modifications.

**Português****Indicações de segurança****Indicações gerais de advertência para ferramentas elétricas**

⚠ ATENÇÃO Devem ser lidas todas as indicações de advertência e todas as instruções.

O desrespeito das advertências e instruções apresentadas abaixo pode causar choque elétrico, incêndio e/ou graves lesões.

Guarde bem todas as advertências e instruções para futura referência.

O termo "Ferramenta elétrica" utilizado a seguir nas indicações de advertência, refere-se a ferramentas elétricas operadas com corrente de rede (com cabo de rede) e a ferramentas elétricas operadas com acumulador (sem cabo de rede).

Segurança da área de trabalho

- ▶ **Mantenha a sua área de trabalho sempre limpa e bem iluminada.** Desordem ou áreas de trabalho insuficientemente iluminadas podem levar a acidentes.
- ▶ **Não trabalhar com a ferramenta elétrica em áreas com risco de explosão, nas quais se encontrem líquidos, gases ou pós inflamáveis.** Ferramentas elétricas produzem faíscas, que podem inflamar pós ou vapores.
- ▶ **Manter crianças e outras pessoas afastadas da ferramenta elétrica durante a utilização.** No caso de distração é possível que perca o controlo sobre o aparelho.

Segurança elétrica

- ▶ **A ficha de conexão da ferramenta elétrica deve caber na tomada. A ficha não deve ser modificada de maneira alguma. Não utilizar uma ficha de adaptação junto com ferramentas elétricas protegidas por ligação à terra.** Fichas não modificadas e tomadas apropriadas reduzem o risco de um choque elétrico.
- ▶ **Evitar que o corpo possa entrar em contacto com superfícies ligadas à terra, como tubos, aquecimentos, fogões e frigoríficos.** Há um risco elevado devido a choque elétrico, se o corpo estiver ligado à terra.

- ▶ **Manter o aparelho afastado de chuva ou humidade.** A infiltração de água numa ferramenta elétrica aumenta o risco de choque elétrico.
- ▶ **Não deverá utilizar o cabo para outras finalidades. Jamais utilizar o cabo para transportar a ferramenta elétrica, para pendurá-la, nem para puxar a ficha da tomada. Manter o cabo afastado de calor, óleo, cantos afiados ou partes do aparelho em movimento.** Cabos danificados ou emaranhados aumentam o risco de um choque elétrico.
- ▶ **Se trabalhar com uma ferramenta elétrica ao ar livre, só deverá utilizar cabos de extensão apropriados para áreas exteriores.** A utilização de um cabo de extensão apropriado para áreas exteriores reduz o risco de um choque elétrico.
- ▶ **Se não for possível evitar o funcionamento da ferramenta elétrica em áreas húmidas, deverá ser utilizado um disjuntor de corrente de avaria.** A utilização de um disjuntor de corrente de avaria reduz o risco de um choque elétrico.

Segurança de pessoas

- ▶ **Esteja atento, observe o que está a fazer e tenha prudência ao trabalhar com a ferramenta elétrica. Não utilizar uma ferramenta elétrica quando estiver fatigado ou sob a influência de drogas, álcool ou medicamentos.** Um momento de descuido ao utilizar a ferramenta elétrica, pode levar a lesões graves.
- ▶ **Utilizar equipamento de proteção pessoal e sempre óculos de proteção.** A utilização de equipamento de proteção pessoal, como máscara de proteção contra pó, sapatos de segurança antiderrapantes, capacete de segurança ou proteção auricular, de acordo com o tipo e aplicação da ferramenta elétrica, reduz o risco de lesões.
- ▶ **Evitar uma colocação em funcionamento involuntária. Assegure-se de que a ferramenta elétrica esteja desligada, antes de conectá-la à alimentação de rede e/ou ao acumulador, antes de levantá-la ou de transportá-la.** Se tiver o dedo no interruptor ao transportar a ferramenta elétrica ou se o aparelho for conectado à alimentação de rede enquanto estiver ligado, poderão ocorrer acidentes.
- ▶ **Remover ferramentas de ajuste ou chaves de boca antes de ligar a ferramenta elétrica.** Uma ferramenta ou chave que se encontre numa parte do aparelho em movimento pode levar a lesões.
- ▶ **Evite uma posição anormal. Mantenha uma posição firme e mantenha sempre o equilíbrio.** Desta forma é mais fácil controlar a ferramenta elétrica em situações inesperadas.
- ▶ **Usar roupa apropriada. Não usar roupa larga nem joias. Mantenha os cabelos, roupas e luvas afastadas de partes em movimento.** Roupas frouxas, cabelos longos ou joias podem ser agarrados por peças em movimento.
- ▶ **Se for possível montar dispositivos de aspiração ou de recolha, assegure-se de que estejam conectados e utilizados corretamente.** A utilização de uma aspiração de pó pode reduzir o perigo devido ao pó.

Utilização e manuseio cuidadoso de ferramentas elétricas

- ▶ **Não sobrecarregue o aparelho. Utilize a ferramenta elétrica apropriada para o seu trabalho.** É melhor e mais seguro trabalhar com a ferramenta elétrica apropriada na área de potência indicada.
- ▶ **Não utilizar uma ferramenta elétrica com um interruptor defeituoso.** Uma ferramenta elétrica que não pode mais ser ligada nem desligada, é perigosa e deve ser reparada.
- ▶ **Puxar a ficha da tomada e/ou remover o acumulador antes de executar ajustes no aparelho, de substituir acessórios ou de guardar o aparelho.** Esta medida de segurança evita o arranque involuntário da ferramenta elétrica.
- ▶ **Guardar ferramentas elétricas não utilizadas fora do alcance de crianças. Não permita que pessoas que não estejam familiarizadas com o aparelho ou que não tenham lido estas instruções, utilizem o aparelho.** Ferramentas elétricas são perigosas se forem utilizadas por pessoas inespertas.
- ▶ **Tratar a ferramenta elétrica com cuidado. Controlar se as partes móveis do aparelho funcionam perfeitamente e não emperram, e se há peças quebradas ou danificadas que possam prejudicar o funcionamento da ferramenta elétrica. Permitir que peças danificadas sejam reparadas antes da utilização.** Muitos acidentes têm como causa, a manutenção insuficiente de ferramentas elétricas.
- ▶ **Manter as ferramentas de corte afiadas e limpas.** Ferramentas de corte cuidadosamente tratadas e com cantos de corte afiados emperram com menos frequência e podem ser conduzidas com maior facilidade.
- ▶ **Utilizar a ferramenta elétrica, acessórios, ferramentas de aplicação, etc. conforme estas instruções. Considerar as condições de trabalho e a tarefa a ser executada.** A utilização de ferramentas elétricas para outras tarefas a não ser as aplicações previstas, pode levar a situações perigosas.

Serviço

- ▶ **Só permita que o seu aparelho seja reparado por pessoal especializado e qualificado e só com peças de reposição originais.** Desta forma é assegurado o funcionamento seguro do aparelho.

Indicações de segurança para martelos

- ▶ **Usar proteção auricular.** Ruídos podem provocar a surdez.
- ▶ **Utilizar punhos adicionais se estes forem fornecidos junto com a ferramenta elétrica.** A perda de controlo pode provocar lesões.
- ▶ **Ao executar trabalhos durante os quais podem ser atingidos cabos elétricos ou o próprio cabo de rede só deverá segurar o aparelho pelas superfícies de punho isoladas.** O contacto com um cabo sob tensão também pode colocar sob tensão as peças metálicas do aparelho e levar a um choque elétrico.

- ▶ **Utilizar detetores apropriados, para encontrar cabos escondidos, ou consulte a companhia elétrica local.** O contacto com cabos elétricos pode provocar fogo e choques elétricos. Danos em tubos de gás podem levar à explosão. A penetração num cano de água causa danos materiais ou pode provocar um choque elétrico.
- ▶ **Segurar a ferramenta elétrica firmemente com ambas as mãos durante o trabalho e manter uma posição firme.** A ferramenta elétrica é conduzida com segurança com ambas as mãos.
- ▶ **Fixar a peça a ser trabalhada.** Uma peça a ser trabalhada fixa com dispositivos de aperto ou com torno de bancada está mais firme do que segurada com a mão.
- ▶ **Espere a ferramenta elétrica parar completamente, antes de depositá-la.** A ferramenta de aplicação pode emperrar e levar à perda de controlo sobre a ferramenta elétrica.

Descrição do produto e da potência

Devem ser lidas todas as indicações de advertência e todas as instruções. O desrespeito das advertências e instruções apresentadas abaixo pode causar choque elétrico, incêndio e/ou graves lesões.

Utilização conforme as disposições

O aparelho destina-se a trabalhos de cinzelamento em betão, tijolos, pedras e asfalto, assim como para cravar e compactar, utilizando os respetivos acessórios.

Componentes ilustrados

A numeração dos componentes ilustrados refere-se à apresentação da ferramenta elétrica na página de esquemas.

- 1 Capa para proteção contra pó
- 2 Bucha de travamento
- 3 Tecla de fixação para o interruptor de ligar-desligar
- 4 Interruptor de ligar-desligar
- 5 Punho (superfície isolada)
- 6 Punho adicional (superfície isolada)

Acessórios apresentados ou descritos não pertencem ao volume de fornecimento padrão. Todos os acessórios encontram-se no nosso programa de acessórios.

16 | Português

Dados técnicos

Martelo de percussão		GSH 5X Plus
N.º do produto		3 611 C38 2..
Potência nominal consumida	W	1 025
N.º de percussões	min ⁻¹	2 750
Força de impacto individual conforme EPTA-Procedure 05/2009	J	6,8
Fixação da ferramenta		17 mm Hexagonal
Lubrificação		Lubrificação
Peso conforme EPTA-Procedure 01:2014	kg	5,5
Classe de proteção		□/II

As indicações valem para tensões nominais [U] de 230 V. Estas indicações podem variar dependendo de tensões inferiores e dos modelos específicos dos países.

Montagem

- ▶ **Antes de todos trabalhos na ferramenta elétrica deverá puxar a ficha de rede da tomada.**

Punho adicional

- ▶ **Só utilizar a sua ferramenta elétrica com o punho adicional 6.**

O punho adicional **6** pode ser movimentado como desejar, para alcançar uma posição de trabalho segura e livre de fadiga.

- Girar a parte inferior do punho adicional **6** no sentido contrário dos ponteiros do relógio e deslocar o punho adicional **6** para a posição desejada. Em seguida girar a parte inferior do punho adicional **6** no sentido dos ponteiros do relógio para reapertar.

Troca de ferramenta

Com o encabadouro hexagonal pode trocar de forma simples e confortável o acessório sem necessidade de ferramentas adicionais.

A capa de proteção contra pó **1** evita, consideravelmente, que penetre pó de perfuração no encabadouro durante o funcionamento. Ao introduzir a ferramenta deverá assegurar-se de que a capa de proteção contra pó **1** não seja danificada.

- ▶ **Uma capa de proteção contra pó deve ser substituída imediatamente. Recomendamos que esta tarefa seja efetuada por uma oficina de serviço pós-venda.**

Introduzir a ferramenta de trabalho (veja figura A)

- Limpar a extremidade de encaixe da ferramenta de trabalho e lubrificá-la levemente.
- Empurrar a bucha de travamento **2** para trás e introduzir a ferramenta de trabalho, com movimentos giratórios, na fixação de ferramentas. Soltar novamente a bucha de travamento **2**, para travar a ferramenta de trabalho.
- Puxar a ferramenta para controlar o travamento.

Retirar a ferramenta de trabalho (veja figura B)

- Empurrar a bucha de travamento **2** para trás e retirar a ferramenta de trabalho.

Aspiração de pó/de aparas

- ▶ Pós de materiais como por exemplo, tintas que contém chumbo, alguns tipos de madeira, minerais e metais, podem ser nocivos à saúde. O contacto ou a inalação dos pós pode provocar reações alérgicas e/ou doenças nas vias respiratórias do utilizador ou das pessoas que se encontrem por perto.

Certos pós, como por exemplo pó de carvalho e faia são considerados como sendo cancerígenos, especialmente quando juntos com substâncias para o tratamento de madeiras (cromato, preservadores de madeira). Material que contém asbesto só deve ser processado por pessoal especializado.

- Assegurar uma boa ventilação do local de trabalho.
- É recomendável usar uma máscara de proteção respiratória com filtro da classe P2.

Observe as diretivas para os materiais a serem trabalhados, vigentes no seu país.

Funcionamento**Colocação em funcionamento**

- ▶ **Observar a tensão de rede! A tensão da fonte de corrente deve coincidir com a indicada na chapa de identificação da ferramenta elétrica. Ferramentas elétricas marcadas para 230 V também podem ser operadas com 220 V.**

Para poupar energia só deverá ligar a ferramenta elétrica quando ela for utilizada.

Ligar e desligar

- Para a **colocação em funcionamento** da ferramenta elétrica deverá pressionar o interruptor de ligar-desligar **4** e manter pressionado.
- Para **fixar** o interruptor de ligar-desligar **4** deverá premir a tecla de fixação **3**.
- Para **desligar** a ferramenta elétrica, deverá soltar o interruptor de ligar-desligar **4** ou se estiver travado com a tecla de fixação **3**, deverá pressionar o interruptor de ligar-desligar **4** por instantes e em seguida soltar novamente.

Em temperaturas ambiente baixas, a ferramenta elétrica apenas alcança a plena potência de percussão após um certo tempo.

Este período de arranque pode ser reduzido, batendo com a broca, introduzida na ferramenta elétrica, no chão.

Indicações de trabalho

- ▶ **Antes de todos trabalhos na ferramenta elétrica deverá puxar a ficha de rede da tomada.**

Afiar as ferramentas de cinzelar

Bons resultados só podem ser alcançados com cinzéis afiados, portanto devem ser afiados a tempo. Isto assegura uma longa vida útil das ferramentas e bons resultados de trabalho.

Reafiar

Afie os cinzéis em discos de rebarbar, p. ex. de corindo nobre, sob um abastecimento de água uniforme. Certifique-se de que não surge uma cor de têmpera no gume; tal influencia a dureza dos cinzéis.

Para **forjar**, aquecer o cinzel de 850 a 1050 °C (vermelho claro a amarelo).

Para **temperar**, aquecer o cinzel até aproximadamente 900 °C e temperar com óleo. De seguida deixar no forno durante aprox. uma hora a 320 °C (cor de recozimento azul claro).

Manutenção e serviço**Manutenção e limpeza**

- ▶ **Antes de todos trabalhos na ferramenta elétrica deverá puxar a ficha de rede da tomada.**
- ▶ **Manter a ferramenta elétrica e as aberturas de ventilação sempre limpas, para trabalhar bem e de forma segura.**
- ▶ **Uma capa de proteção contra pó deve ser substituída imediatamente. Recomendamos que esta tarefa seja efetuada por uma oficina de serviço pós-venda.**

Se for necessário substituir o cabo de conexão, isto deverá ser realizado pela Bosch ou por uma oficina de serviço pós-venda autorizada para todas as ferramentas elétricas Bosch para evitar riscos de segurança.

Lubrificação da ferramenta elétrica

A ferramenta elétrica está lubrificada com massa consistente. Uma substituição da massa consistente só é necessária no âmbito de uma manutenção ou reparação pela assistência técnica autorizada para ferramentas elétricas Bosch. Neste caso, deve ser usada impreterivelmente a massa consistente prevista pela Bosch.

Serviço pós-venda e consultoria de aplicação

O serviço pós-venda responde às suas perguntas a respeito de serviços de reparação e de manutenção do seu produto, assim como das peças sobressalentes. Desenhos explodidos e informações sobre peças sobressalentes encontram-se em: **www.bosch-pt.com**

A nossa equipa de consultoria de aplicação Bosch esclarece com prazer todas as suas dúvidas a respeito da compra, aplicação e ajuste dos produtos e acessórios.

Indique para todas as questões e encomendas de peças sobressalentes a referência de 10 dígitos de acordo com a placa de características do produto.

Brasil

Robert Bosch Ltda. – Divisão de Ferramentas Elétricas
Caixa postal 1195 – CEP: 13065-900
Campinas – SP
Tel.: 0800 7045 446
www.bosch.com.br/contato

Angola

InvestGlobal
Parque Logístico
Estrada de Viana Km 12
Luanda
Tel. : +212 948 513 580
E-Mail: helderribeiro@investglobal-ang.com


Eliminação

Ferramentas elétricas, acessórios e embalagens devem ser enviados a uma reciclagem ecológica de matérias-primas.

 Não deitar ferramentas elétricas no lixo doméstico!

Sob reserva de alterações.

中文**安全规章****电动工具通用安全警告**

 **警告！** 阅读所有警告和所有说明！不遵照以下警告和说明会导致电击、着火和/或严重伤害。

保存所有警告和说明书以备查阅。

在所有下列的警告中术语“电动工具”指市电驱动（有线）电动工具或电池驱动（无线）电动工具。

工作场地的安全

- ▶ **保持工作场地清洁和明亮。** 混乱和黑暗的场地会引发事故。
- ▶ **不要在易爆环境，如有易燃液体、气体或粉尘的环境下操作电动工具。** 电动工具产生的火花会点燃粉尘或气体。
- ▶ **让儿童和旁观者离开后操作电动工具。** 注意力不集中会使操作者失去对工具的控制。

电气安全

- ▶ **电动工具插头必须与插座相配。绝不能以任何方式改装插头。需接地的电动工具不能使用任何转换插头。** 未经改装的插头和相配的插座将减少电击危险。
- ▶ **避免人体接触接地表面，如管道、散热片和冰箱。** 如果你身体接地会增加电击危险。

18 | 中文

- ▶ **不得将电动工具暴露在雨中或潮湿环境中。** 水进入电动工具将增加电击危险。
- ▶ **不得滥用电线。** 绝不能用电线搬运、拉动电动工具或拔出其插头。使电线远离热源、油、锐边或运动部件。受损或缠绕的软线会增加电击危险。
- ▶ **当在户外使用电动工具时，使用适合户外使用的外接软线。** 适合户外使用的软线将减少电击危险。
- ▶ **如果在潮湿环境下操作电动工具是不可避免的，应使用剩余电流动作保护器（RCD）。** 使用 RCD 可减小电击危险。

人身安全

- ▶ **保持警觉，当操作电动工具时关注所从事的操作并保持清醒。** 当你感到疲倦，或在有药物、酒精或治疗反应时，不要操作电动工具。在操作电动工具时瞬间的疏忽会导致严重人身伤害。
- ▶ **使用个人防护装置。始终佩戴护目镜。** 安全装置，诸如适当条件下使用防尘面具、防滑安全鞋、安全帽、听力防护等装置能减少人身伤害。
- ▶ **防止意外起动。** 确保开关在连接电源和 / 或电池盒、拿起或搬运工具时处于关断位置。手指放在已接通电源的开关上或开关处于接通时插入插头可能会导致危险。
- ▶ **在电动工具接通之前，拿掉所有调节钥匙或扳手。** 遗留在电动工具旋转零件上的扳手或钥匙会导致人身伤害。
- ▶ **手不要伸展得太长。时刻注意立足点和身体平衡。** 这样在意外情况下能很好地控制电动工具。
- ▶ **着装适当。不要穿宽松衣服或佩戴饰品。让衣服、手套和头发远离运动部件。** 宽松衣服、佩饰或长发可能会卷入运动部件中。
- ▶ **如果提供了与排屑、集尘设备连接用的装置，要确保他们连接完好且使用得当。** 使用这些装置可减少尘屑引起的危险。

电动工具使用和注意事项

- ▶ **不要滥用电动工具，根据用途使用适当的电动工具。** 选用适当设计的电动工具会使你工作更有效、更安全。
- ▶ **如果开关不能接通或关断工具电源，则不能使用该电动工具。** 不能用开关来控制的电动工具是危险的且必须进行修理。
- ▶ **在进行任何调节、更换附件或贮存电动工具之前，必须从电源上拔掉插头和 / 或使电池盒与工具脱离。** 这种防护性措施将减少工具意外起动的危险。
- ▶ **将闲置不用的电动工具贮存在儿童所及范围之外，并且不要让不熟悉电动工具或对这些说明不了解的人操作电动工具。** 电动工具在未经培训的用户手中是危险的。

- ▶ **保养电动工具。** 检查运动件是否调整到位或卡住，检查零件破损情况和影响电动工具运行的其他状况。如有损坏，电动工具应在使用前修理好。许多事故由维护不良的电动工具引发。
- ▶ **保持切削刀具锋利和清洁。** 保养良好的有锋利切削刃的刀具不易卡住而且容易控制。
- ▶ **按照使用说明书，考虑作业条件和进行的作业来使用电动工具、附件和工具的刀头等。** 将电动工具用于那些与其用途不符的操作可能会导致危险。

维修

- ▶ **将你的电动工具送交专业维修人员，使用同样的备件进行修理。** 这样将确保所维修的电动工具的安全性。

锤类工具的安全警告

- ▶ **戴好耳罩。** 暴露在噪声中会引起听力损伤。
- ▶ **使用随工具提供的辅助手柄。** 操作失手会引起人身伤害。
- ▶ **在切削附件可能触及暗线或其自身软线之处进行操作时，要通过绝缘握持面来握持工具。** 切削附件碰到带电导线会使工具外露的金属零件带电从而使操作者受到电击。
- ▶ **使用合适的侦测装置侦察隐藏的电线，或者向当地的相关单位寻求支援。** 接触电线可能引起火灾并让操作者触电。损坏了瓦斯管会引起爆炸。凿穿水管不仅会造成严重的财物损失，也可能导致触电。
- ▶ **工作时必须用双手握紧电动工具，并且要确保立足稳固。** 使用双手比较能够握稳电动工具。
- ▶ **固定好工件。** 使用固定装置或老虎钳固定工件，会比用手持握工件更牢固。
- ▶ **等待电动工具完全静止后才能够放下机器。** 机器上的工具可能在工作中被夹住，而令您无法控制电动工具。

产品和功率描述



阅读所有的警告提示和指示。 如未确实遵循警告提示和指示，可能导致电击、火灾并且 / 或其他的严重伤害。

按照规定使用机器

本机器适合在混凝土、砖头、石材和沥青上凿削。安装了合适的附件后，也可以使用机器进行挤压和捣实作业。

插图上的机件

机件的编号和电动工具详解图上的编号一致。

- 1 防尘盖
- 2 锁定套筒
- 3 起停开关的锁紧键
- 4 起停开关
- 5 手柄（绝缘握柄）
- 6 辅助手柄（绝缘握柄）

图表或说明上提到的附件，并不包含在基本的供货范围中。本公司的附件清单中有完整的附件供应项目。

技术数据

电锯		GSH 5X Plus
物品代码		3 611 C38 2..
额定输入功率	瓦	1025
冲击次数	次 / 分	2750
单一冲击强度符合 EPTA-Procedure 05/2009 的规定	焦耳	6,8
工具夹头		17 毫米 Hex
润滑		油脂润滑
重量符合 EPTA-Procedure 01:2014	公斤	5,5
绝缘等级		□/II

本说明书提供的参数是以 230 V 为依据，于低电压地区，此数据有可能不同。

安装

▶ **维修电动工具或换装零、配件之前，务必从插座上拔出插头。**

辅助手柄

▶ **操作电动工具时务必使用辅助手柄 6。**

您可以根据需要改变辅助手柄 6 的位置，以提高工作安全和增加工作的舒适性。

- 朝著逆时针方向转动辅助手柄 6。把辅助手柄 6 摆动到需要的位置。接著再朝顺时针方向转紧辅助手柄 6。

更换工具

使用 Hex 工具接头，能够简便地更换凿具，无需借助其它的辅助工具。

防尘盖 1 可以防止工作时凿削废尘侵入夹头中。安装工具时必须小心，勿损坏防尘盖 1。

▶ **如果防尘盖损坏了必须马上更换。最好委托本公司的顾客服务处换装。**

安装工具（参考插图 A）

- 清洁工具柄並在柄上塗少许润滑脂。
- 向后推移锁定套筒 2，把工具拧入工具夹头中。放开锁定套筒 2 以便锁牢工具。
- 抽拉工具以确定它是否正确锁紧了。

拆卸工具（参考插图 B）

- 向后推移锁定套筒 2 並取出工具。

吸锯尘 / 吸锯屑

- ▶ 含铅的颜料以及某些木材、矿物和金属的加工废尘有害健康。机器操作者或者工地附近的人如果接触、吸入这些废尘，可能会有过敏反应或者感染呼吸道疾病。

某些尘埃（例如加工橡木或山毛榉的废尘）可能致癌，特别是和处理木材的添加剂（例如木材的防腐剂等）结合之后。只有经过专业训练的人才能够加工含石棉的物料。

- 工作场所要保持空气流通。
- 最好佩戴 P2 滤网等级的口罩。

请留心并遵守贵国和加工物料有关的法规。

操作

操作机器

▶ **注意电源的电压！电源的电压必须和电动工具铭牌上标示的电压一致。**

为了节约能源，只在当您使用机器时，才开动电动工具。

开动 / 关闭

- 操作电动工具时先按下电动工具的起停开关 4，并持续按着。
- 按下锁紧键 3 即可锁定被按住的起停开关 4。
- 放开起停开关 4 即可关闭电动工具。如果起停开关被锁紧键 3 固定了，先按下起停开关 4 並随即将其放开。

在低温的工作环境中，必须经过短暂的暖机，电动工具才能够发挥最大的冲击功率。

把安装在电动工具上的凿头轻撞地面，可缩短暖机的起动时间。

有关操作方式的指点

▶ **维修电动工具或换装零、配件之前，务必从插座上拔出插头。**

磨利凿具

使用锋利的凿具才能够达到好的工作效果，务必及时研磨凿具，如此才能够延长凿具的使用寿命，加强工作效果。

20 | 中文

补磨

在磨片（例如白刚玉）上研磨凿具，并使用均匀的水流冲刷。注意，刀刃上不可以出现回火色；如此会影响凿具的硬度。

锻造，先将凿头加热至摄氏 850 度与 1050 度之间（淡红至黄色）。

硬化 过程，先把凿头加热至摄氏 900 度，再将凿头放入油中淬火，紧接着把凿头放入火炉中以摄氏 320 度回火一个小时（回火色为淡蓝）。

维修和服务**维修和清洁**

- ▶ **维修电动工具或换装零、配件之前，务必从插座上拔出插头。**
- ▶ **电动工具和通风间隙都必须保持清洁，这样才能够提高工作品质和安全性。**
- ▶ **如果防尘盖损坏了必须马上更换。最好委托本公司的顾客服务处换装。**

如果必须更换连接线，务必把这项工作交给博世或者经授权的博世电动工具顾客服务执行，以避免危害机器的安全性能。

润滑电动工具

本电动工具是采用油脂润滑。更换润滑油脂只能在维护或修理机器时进行，而且必须交给经过授权的博世电动工具顾客服务中心执行。只能使用针对本机器的博世润滑油脂。

顾客服务处和顾客咨询中心

本公司顾客服务处负责回答有关本公司产品的修理、维护和备件的问题。以下的网页中有爆炸图和备件的资料：

www.bosch-pt.com

博世顾客咨询团队非常乐意为您解答有关本公司产品及附件的问题。

如需查询和订购备件，请务必提供产品型号铭牌上的 10 位数货号。

有关保证，维修或更换零件事宜，请向合格的经销商查询。

中国大陆

博世电动工具（中国）有限公司

中国 浙江省 杭州市

滨江区滨康路 567 号

邮政编码：310052

免费服务热线：4008268484

传真：(0571) 87774502

电邮：contact_ptcn@cn.bosch.com

www.bosch-pt.com.cn

罗伯特·博世有限公司

香港北角英皇道 625 号 21 楼

客户服务热线：+852 2101 0235

传真：+852 2590 9762

电邮：info@hk.bosch.com

网站：www.bosch-pt.com.hk

制造商地址：

Robert Bosch Power Tools GmbH

罗伯特·博世电动工具有限公司

70538 Stuttgart / GERMANY

70538 斯图加特 / 德国

处理废弃物

必须以符合环保的方式，回收再利用损坏的机器、附件和废弃的包装材料。



不可以把电动工具丢入家庭垃圾中！

保留修改权。**中文****安全規章****電動工具通用安全警告**

警告 閱讀所有警告和所有說明。不遵照以下警告和說明會導致電擊、著火和/或嚴重傷害。

保存所有警告和說明書以備查閱。

在所有下列的警告中術語“電動工具”指市電驅動（有線）電動工具或電池驅動（無線）電動工具。

工作場地的安全

- ▶ **保持工作場地清潔和明亮。** 混亂和黑暗的場地會引發事故。
- ▶ **不要在易爆環境，如有易燃液體、氣體或粉塵的環境下操作電動工具。** 電動工具產生的火花會點燃粉塵或氣體。
- ▶ **讓兒童和旁觀者離開後操作電動工具。** 注意力不集中會使你失去對工具的控制。

電氣安全

- ▶ **電動工具插頭必須與插座相配。絕不能以任何方式改裝插頭。** 需接地的電動工具不能使用任何轉換插頭。未經改裝的插頭和相配的插座將減少電擊危險。
- ▶ **避免人體接觸接地表面，如管道、散熱片和冰箱。** 如果你身體接地會增加電擊危險。

- ▶ 不得將電動工具暴露在雨中或潮濕環境中。水進入電動工具將增加電擊危險。
- ▶ 不得濫用電線。絕不能用電線搬運、拉動電動工具或拔出其插頭。使電線遠離熱源、油、銳邊或運動部件。受損或纏繞的軟線會增加電擊危險。
- ▶ 當在戶外使用電動工具時，使用適合戶外使用的外接軟線。適合戶外使用的軟線，將減少電擊危險。
- ▶ 如果在潮濕環境下操作電動工具是不可避免的，應使用剩餘電流動作保護器（RCD）。使用 RCD 可減小電擊危險。

人身安全

- ▶ 保持警覺，當操作電動工具時關注所從事的操作並保持清醒。當你感到疲倦，或在有藥物、酒精或治療反應時，不要操作電動工具。在操作電動工具時瞬間的疏忽會導致嚴重人身傷害。
- ▶ 使用個人防護裝置。始終佩戴護目鏡。安全裝置，諸如適當條件下使用防塵面具、防滑安全鞋、安全帽、聽力防護等裝置能減少人身傷害。
- ▶ 防止意外起動。確保開關在連接電源和 / 或電池盒、拿起或搬運工具時處於關斷位置。手指放在已接通電源的開關上或開關處於接通時插入插頭可能會導致危險。
- ▶ 在電動工具接通之前，拿掉所有調節鑰匙或扳手。遺留在電動工具旋轉零件上的扳手或鑰匙會導致人身傷害。
- ▶ 手不要伸展得太長。時刻注意立足點和身體平衡。這樣在意外情況下能很好地控制電動工具。
- ▶ 著裝適當。不要穿寬鬆衣服或佩戴飾品。讓你的衣服、手套和頭髮遠離運動部件。寬鬆衣服、佩飾或長髮可能會捲入運動部件中。
- ▶ 如果提供了與排屑、集塵設備連接用的裝置，要確保他們連接完好且使用得當。使用這些裝置可減少塵屑引起的危險。

電動工具使用和注意事項

- ▶ 不要濫用電動工具，根據用途使用適當的電動工具。選用適當設計的電動工具會使你工作更有效、更安全。
- ▶ 如果開關不能接通或關斷工具電源，則不能使用該電動工具。不能用開關來控制的電動工具是危險的且必須進行修理。
- ▶ 在進行任何調節、更換附件或貯存電動工具之前，必須從電源上拔掉插頭和 / 或使電池盒與工具脫開。這種防護性措施將減少工具意外起動的危險。
- ▶ 將閒置不用的電動工具貯存在兒童所及範圍之外，並且不要讓不熟悉電動工具或對這些說明不瞭解的人操作電動工具。電動工具在未經培訓的用戶手中是危險的。

- ▶ 保養電動工具。檢查運動件是否調整到位或卡住，檢查零件破損情況和影響電動工具運行的其他狀況。如有損壞，電動工具應在使用前修理好。許多事故由維護不良的電動工具引發。
- ▶ 保持切削刀具鋒利和清潔。保養良好的有鋒利切削刃的刀具不易卡住而且容易控制。
- ▶ 按照使用說明書，考慮作業條件和進行的作業來使用電動工具、附件和工具的刀頭等。將電動工具用於那些與其用途不符的操作可能會導致危險。

檢修

- ▶ 將你的電動工具送交專業維修人員，必須使用同樣的備件進行更換。這樣將確保所維修的電動工具的安全性。

針對電鎚的安全規章

- ▶ 佩戴耳罩。工作噪音會損壞聽力。
- ▶ 如果電動工具提供了輔助手柄便要使用它。操作時失控可能導致傷害。
- ▶ 如果安裝在此裝置上的切割配件可能會在作業期間割到暗藏的電線或自身的電源線，請務必從裝置握把上的絕緣處來握住該裝置。切割配件萬一接觸到帶電導線，可能會連帶使裝置上的金屬部件帶電，進而導致操作者觸電。
- ▶ 使用合適的偵測裝置偵察隱藏的電線，或者向當地的相關單位尋求支援。接觸電線可能引起火災並讓操作者觸電。損壞了瓦斯管會引起爆炸。鑿穿水管不僅會造成嚴重的財物損失，也可能導致觸電。
- ▶ 工作時必須用雙手握緊電動工具，並且要確保立足穩固。使用雙手比較能夠握穩電動工具。
- ▶ 固定好工件。使用固定裝置或老虎鉗固定工件，會比用手持握工件更牢固。
- ▶ 等待電動工具完全靜止後才能夠放下機器。機器上的工具可能在工作中被夾住，而令您無法控制電動工具。

產品和功率描述



閱讀所有的警告提示和指示。如未確實遵循警告提示和指示，可能導致電擊、火災並且 / 或其他的嚴重傷害。

按照規定使用機器

本機器適合在混凝土、磚頭、石材和瀝青上鑿削。安裝了合適的附件後，也可以使用機器進行擠壓和搗實作業。

22 | 中文

插圖上的機件

機件的編號和電動工具詳解圖上的編號一致。

- 1 防塵蓋
- 2 鎖定套筒
- 3 起停開關的鎖緊鍵
- 4 起停開關
- 5 手柄（絕緣握柄）
- 6 輔助手柄（絕緣握柄）

圖表或說明上提到的附件，並不包含在基本的供貨範圍中。
本公司的附件清單中有完整的附件供應項目。

技術性數據

電鑽		GSH 5X Plus
物品代碼		3 611 C38 2..
額定輸入功率	瓦	1025
沖擊次數	次 / 分	2750
單一衝擊強度符合 EPTA-Procedure 05/2009 的規定	焦耳	6,8
工具夾頭		17 毫米 Hex
潤滑		油脂潤滑
重量符合 EPTA-Procedure 01:2014	公斤	5,5
絕緣等級		□/II

本說明書提供的參數是以 230 伏特為依據，於低電壓地區，此數據有可能不同。

安裝

- ▶ **維修電動工具或換裝零、配件之前，務必從插座上拔出插頭。**

輔助手柄

- ▶ **操作電動工具時務必使用輔助手柄 6。**

您可以根據需要改變輔助手柄 6 的位置，以提高工作安全和增加工作的舒適性。

- 朝著逆時針方向轉動輔助手柄 6。把輔助手柄 6 擺動到需要的位置。接著再朝順時針方向轉緊輔助手柄 6。

更換工具

使用 Hex 工具接頭，能夠簡便地更換鑿具，無需借助其它的輔助工具。

防塵蓋 1 可以防止工作時鑿削廢塵侵入夾頭中。安裝工具時必須小心，勿損壞防塵蓋 1。

- ▶ **如果防塵蓋壞了必須馬上更換。最好委托本公司的顧客服務處換裝。**

安裝工具（參考插圖 A）

- 清潔工具柄並在柄上塗少許潤滑脂。
- 向後推移鎖定套筒 2，把工具擰入工具夾頭中。放開鎖定套筒 2 以便鎖牢工具。
- 抽拉工具以確定它是否正確鎖緊了。

拆卸工具（參考插圖 B）

- 向後推移鎖定套筒 2 並取出工具。

吸鋸塵 / 吸鋸屑

- ▶ 含鉛的顏料以及某些木材、礦物和金屬的加工廢塵有害健康。機器操作者或者工地附近的人如果接觸、吸入這些廢塵，可能會有過敏反應或者感染呼吸道疾病。
- 某些塵埃（例如加工橡木或山毛櫸的廢塵）可能致癌，特別是和處理木材的添加劑（例如木材的防腐劑等）結合之後。只有經過專業訓練的人才能夠加工含石棉的物料。
- 工作場所要保持空氣流通。
- 最好佩戴 P2 濾網等級的口罩。

請留心並遵守貴國和加工物料有關的法規。

操作**操作機器**

- ▶ **注意電源的電壓！電源的電壓必須和電動工具銘牌上標示的電壓一致。**

為了節約能源，只在當您要使用機器時，才開動電動工具。

開動 / 關閉

- 操作電動工具時先按下電動工具的起停開關 4，並持續按著。
- 按下鎖緊鍵 3 即可鎖定被按住的起停開關 4。
- 放開起停開關 4 即可關閉電動工具。如果起停開關被鎖緊鍵 3 固定了，先按下起停開關 4 並隨即將其放開。

在低溫的工作環境中，必須經過短暫的暖機，電動工具才能夠發揮最大的沖擊功率。

把安裝在電動工具上的鑿頭輕撞地面，可縮短暖機的起動時間。

有關操作方式的指點

- ▶ **維修電動工具或換裝零、配件之前，務必從插座上拔出插頭。**

磨利鑿具

使用鋒利的鑿具才能夠達到好的工作效果，務必及時研磨鑿具，如此才能夠延長鑿具的使用壽命，加強工作效果。

補磨

在磨片（例如白剛玉）上研磨鑿具，並使用均勻的水流衝刷。注意，刀刃上不可以出現回火色；如此會影響鑿具的硬度。

鍛造，先將鑿頭加熱至攝氏 850 度與 1050 度之間（淡紅至黃色）。

硬化 過程，先把鑿頭加熱至攝氏 900 度，再將鑿頭放入油中淬火，緊接著把鑿頭放入火爐中以攝氏 320 度回火一個小時（回火色為淡藍）。

維修和服務**維修和清潔**

- ▶ **維修電動工具或換裝零、配件之前，務必從插座上拔出插頭。**
- ▶ **電動工具和通風間隙都必須保持清潔，這樣才能夠提高工作品質和安全性。**
- ▶ **如果防塵蓋壞了必須馬上更換。最好委托本公司的顧客服務處換裝。**

如果必須更換連接線，務必把這項工作交給博世或者經授權的博世電動工具顧客服務執行，以避免危害機器的安全性能。

潤滑電動工具

本電動工具是采用油脂潤滑。更換潤滑油脂只能在維護或修理機器時進行，而且必須交給經過授權的博世電動工具顧客服務中心執行。只能使用針對本機器的博世潤滑油脂。

顧客服務處和顧客諮詢中心

本公司顧客服務處負責回答有關本公司產品的修理、維護和備件的問題。以下的網頁中有爆炸圖和備件的資料：

www.bosch-pt.com

博世顧客諮詢團隊非常樂意為您解答有關本公司產品及附件的問題。

當您需要諮詢或訂購備用零組件時，請務必提供本產品型號銘牌上的 10 位項目編號。

台灣

台灣羅伯特博世股份有限公司

建國北路一段 90 號 6 樓

台北市 10491

電話：(02) 2515 5388

傳真：(02) 2516 1176

www.bosch-pt.com.tw

製造商地址：

Robert Bosch Power Tools GmbH


羅伯特·博世電動工具有限公司

70538 Stuttgart / GERMANY

70538 斯圖加特 / 德國

處理廢棄物

必須以符合環保的方式，回收再利用損壞的機器、附件和廢棄的包裝材料。

 不可以把電動工具丟入家庭垃圾中。

保留修改權。

設備名稱：電鎚，型號：GSH 5X Plus

限用物質及其符號

單元	鉛 (Pb)	汞 (Hg)	鎘 (Cd)	六價鉻 (Cr ⁺⁶)	多溴聯苯 (PBB)	多溴二苯醚 (PBDE)
開關	—	0	0	0	0	0
電容器	0	0	0	0	0	0
馬達	—	0	0	0	0	0
電源線	0	0	0	0	0	0
外殼（塑料）	—	0	0	0	0	0

備考 1. "超出 0.1 wt %" 及 "超出 0.01 wt %" 係指限用物質之百分比含量超出 百分比含量基準值。

備考 2. "0" 係指該項限用物質之百分比含量未超出百分比含量基準值。

備考 3. "—" 係指該項限用物質為排除項目。

24 | 한국어

한국어**안전 수칙****전동공구용 일반 안전수칙**

! 경고 모든 안전수칙과 지시 사항을 상세히 읽고 지켜야 합니다. 다음의 안전수칙과 지시 사항을 준수하지 않으면 화재 위험이 있으며 감전 혹은 중상을 입을 수 있습니다.

앞으로의 참고를 위해 이 안전수칙과 사용 설명서를 잘 보관하십시오.

다음에서 사용되는 “전동공구” 라는 개념은 전원에 연결하여 사용하는 전동 기기 (전선이 있는) 나 배터리를 사용하는 전동 기기 (전선이 없는) 를 의미합니다.

작업장 안전

- ▶ 작업장을 항상 깨끗이 하고 조명을 밝게 하십시오. 작업장 환경이 어수선하거나 어두우면 사고를 초래할 수 있습니다.
- ▶ 가연성 유체, 가스 또는 분진이 있어 폭발 위험이 있는 환경에서 전동공구를 사용하지 마십시오. 전동공구는 분진이나 증기에 점화하는 스파크를 일으킬 수 있습니다.
- ▶ 전동공구를 사용할 때 구경꾼이나 어린이 혹은 다른 사람이 작업장에 접근하지 못하게 하십시오. 다른 사람이 주의를 산만하게 하면 기기에 대한 통제를 잃기 쉽습니다.

전기에 관한 안전

- ▶ 전동공구의 전원 플러그가 전원 콘센트에 잘 맞아야 합니다. 플러그를 조금이라도 변경시켜서는 안됩니다. 접지된 전동공구를 사용할 때 어댑터 플러그를 사용하지 마십시오. 변형되지 않은 플러그와 잘 맞는 콘센트를 사용하면 감전의 위험을 감소할 수 있습니다.
- ▶ 파이프 관, 라디에이터, 레인지, 냉장고와 같은 접지 표면에 몸이 닿지 않도록 하십시오. 몸에 닿을 경우 감전될 위험이 높습니다.
- ▶ 전동공구를 비에 맞지 않게 하고 습기 있는 곳에 두지 마십시오. 전동공구에 물이 들어가면 감전될 위험이 높습니다.
- ▶ 전원 코드를 잡고 전동공구를 운반하거나 걸어 놓아서는 안되며, 콘센트에서 전원 플러그를 뽑을 때 전원 코드를 잡아 당겨서는 절대로 안됩니다. 전원 코드가 열과 오일에 접촉하는 것을 피하고, 날카로운 모서리나 기기의 가동 부위에 닿지 않도록 주의하십시오. 손상되거나 영킨 전원 코드는 감전을 유발할 수 있습니다.
- ▶ 실외에서 전동공구로 작업할 때는 실외용으로 적당한 연장 전원 코드만을 사용하십시오. 실외용 연장 전원 코드를 사용하면 감전의 위험을 줄일 수 있습니다.

- ▶ 전동공구를 습기 찬 곳에서 사용해야 할 경우에는 누전 차단기를 사용하십시오. 누전 차단기를 사용하면 감전 위험을 줄일 수 있습니다.

사용자 안전

- ▶ 신중하게 작업하십시오. 작업을 할 때 주의를 하며, 전동공구를 사용할 때 경솔하게 행동하지 마십시오. 피로한 상태이거나 약물 복용 및 음주한 후에는 전동공구를 사용하지 마십시오. 전동공구를 사용할 때 잠시라도 주의를 산만해지면 중상을 입을 수 있습니다.
- ▶ 작업자 안전을 위한 장치를 사용하십시오. 항상 보안경을 착용하십시오. 전동공구의 종류와 사용에 따라 먼지 보호 마스크, 미끄러지지 않는 안전한 신발, 안전모 또는 귀마개 등의 안전한 복장을 하면 상해의 위험을 줄일 수 있습니다.
- ▶ 실수로 기기가 작동되지 않도록 주의하십시오. 전동공구를 전원에 연결하거나 배터리를 끼우기 전에, 혹은 기기를 들거나 운반하기 전에, 전원 스위치가 꺼져 있는지 다시 확인하십시오. 전동공구를 운반할 때 전원 스위치가 손가락을 대거나 전원 스위치가 켜진 상태에서 전원을 연결하면 사고 위험이 높습니다.
- ▶ 전동공구를 사용하기 전에 조절하는 톨이나 나사 키 등을 빼 놓으십시오. 회전하는 부위에 있는 톨이나 나사 키로 인해 상처를 입을 수 있습니다.
- ▶ 자신을 과신하지 마십시오. 불안정한 자세를 피하고 항상 평형을 이룬 상태로 작업하십시오. 안정된 자세와 평형한 상태로 작업해야만이 의외의 상황에서도 전동공구를 안전하게 사용할 수 있습니다.
- ▶ 알맞은 작업복을 입으십시오. 헐렁한 복장을 하거나 장신구를 착용하지 마십시오. 머리카락 또는 장갑이 가동하는 기기 부위에 가까이 닿지 않도록 주의하십시오. 헐렁한 복장, 장신구 혹은 긴 머리는 가동 부위에 말려 사고를 초래할 수 있습니다.
- ▶ 분진 추출장치나 수거장치의 조립이 가능한 경우, 이 장치가 연결되어 있는지, 제대로 작동이 되는지 확인하십시오. 이러한 분진 추출장치를 사용하면 분진으로 인한 사고 위험을 줄일 수 있습니다.

전동공구의 올바른 사용과 취급

- ▶ 기기를 과부하 상태에서 사용하지 마십시오. 작업할 때 이에 적당한 전동공구를 사용하십시오. 알맞은 전동공구를 사용하면 지정된 성능 한도 내에서 더 효율적으로 안전하게 작업할 수 있습니다.
- ▶ 전원 스위치가 고장 난 전동공구를 사용하지 마십시오. 전원 스위치가 작동되지 않는 전동공구는 위험하므로, 반드시 수리를 해야 합니다.
- ▶ 기기에 세팅을 하거나 액세서리 부품을 교환하거나 혹은 기기를 보관할 때, 항상 전원 콘센트에서 플러그를 미리 빼어 놓으십시오. 이러한 조치는 실수로 전동공구가 작동하게 되는 것을 예방합니다.
- ▶ 사용하지 않는 전동공구는 어린이 손이 닿지 않는 곳에 보관하고, 전동공구 사용에 익숙지 않거나 이 사용 설명서를 읽지 않은 사람은 기기를 사용해서는 안

됩니다. 경험이 없는 사람이 전동공구를 사용하면 위험합니다.

- ▶ 전동공구를 조심스럽게 관리하십시오. 가동 부위가 하자 없이 정상적인 기능을 하는지, 걸리는 부위가 있는지, 혹은 전동공구의 기능에 중요한 부품이 손상되지 않았는지 확인하십시오. 손상된 기기의 부품은 전동공구를 다시 사용하기 전에 반드시 수리를 맡기십시오. 제대로 관리하지 않은 전동공구의 경우 많은 사고를 유발합니다.
- ▶ 절단 공구를 날카롭고 깨끗하게 관리하십시오. 날카로운 절단면이 있고 잘 관리된 절단공구는 걸리는 경우가 드물고 조절하기도 쉽습니다.
- ▶ 전동공구, 액세서리, 장착하는 공구 등을 사용할 때, 이 지시 사항과 특별히 기종 별로 나와있는 사용 방법을 준수하십시오. 이때 작업 조건과 실시하려는 작업 내용을 고려하십시오. 원래 사용 분야가 아닌 다른 작업에 전동공구를 사용할 경우 위험한 상황을 초래할 수 있습니다.

서비스

- ▶ 전동공구 수리는 반드시 전문 인력에게 맡기고, 수리 정비 시 보쉬 순정 부품만을 사용하십시오. 그렇게 함으로써 기기의 안전성을 오래 유지할 수 있습니다.

해머용 안전 수칙

- ▶ 귀마개를 착용하십시오. 소음의 영향으로 인해 청각을 상실할 수 있습니다.
- ▶ 보조 손잡이가 전동공구와 함께 공급되는 경우 이를 사용하십시오. 통제를 잃게 되면 상해를 입을 수 있습니다.
- ▶ 작업할 때 틈날이 보이지 않는 전선이나 기기 자체의 코드에 닿을 위험이 있으면 전동공구의 절연된 손잡이 면을 잡으십시오. 전류가 흐르는 전선에 접촉하게 되면 기기의 금속 부위에도 전기가 통해 감전될 위험이 있습니다.
- ▶ 보이지 않는 배관 설비를 확인하려면 적당한 탐지기를 사용하거나 담당 에너지 공급회사에 문의하십시오. 전선에 접하게 되면 화재나 전기 충격을 야기할 수 있습니다. 가스관을 손상시키면 폭발 위험이 있습니다. 수도관을 파손하게 되면 재산 피해를 유발하거나 전기 충격을 야기할 수 있습니다.
- ▶ 전동공구를 두 손으로 꼭 잡고 안전한 자세로 작업하십시오. 전동공구는 두 손으로 사용하면 더 안전합니다.
- ▶ 작업물을 잘 고정하십시오. 고정장치나 기계 바이스에 끼워서 작업하면 손으로 잡는 것보다 더 안전합니다.
- ▶ 전동공구를 내려놓기 전에 기기가 완전히 멈추는지를 확인하십시오. 벨트가 걸려 전동공구에 대한 통제가 어려워질 수 있습니다.

제품 및 성능 소개



모든 안전수칙과 지시 사항을 상세히 읽고 지켜야 합니다. 다음의 안전수칙과 지시 사항을 준수하지 않으면 화재 위험이 있으며 감전 혹은 중상을 입을 수 있습니다.

규정에 따른 사용

본 제품은 콘크리트, 기와, 석재, 아스팔트에 치출 작업을 하는 데 사용해야 합니다. 적당한 액세서리를 사용하면 두드리거나 다지는 작업도 가능합니다.

제품의 주요 명칭

제품의 주요 명칭에 표기되어 있는 번호는 기기 그림이 나와있는 면을 참고하십시오.

- 1 먼지 보호 캡
- 2 잠금 슬리브
- 3 전원 스위치 잠금 버튼
- 4 전원 스위치
- 5 손잡이 (절연된 손잡이 부위)
- 6 보조 손잡이 (절연된 손잡이 부위)

도면이나 설명서에 나와있는 액세서리는 표준 공급부품에 속하지 않습니다. 전체 액세서리는 저희 액세서리 프로그램을 참고하십시오.

제품 사양

파괴 해머	GSH 5X Plus	
제품 번호		3 611 C38 2..
소비 전력	W	1025
타격률	min ⁻¹	2750
EPTA-Procedure		
05/2009 에 따른 스트로크 당 충격 에너지	J	6.8
툴 홀더		17 mm Hex
윤활		그리스 윤활
EPTA 공정 01:2014 에 따른 중량		
안전 등급	kg	5.5 □/II

자료는 정격 전압 [U] 230 V 를 기준으로 한 것입니다. 전압이 낮거나 각국의 특수한 모델에 따라 달라질 수 있습니다.

조립

- ▶ 전동공구를 보수 정비하기 전에 반드시 콘센트에서 전원 플러그를 빼십시오.

보조 손잡이

- ▶ 반드시 보조 손잡이 6 를 장착하여 전동공구를 사용하십시오.

보조 손잡이 6 는 안전하고 피로가 적은 자세로 작업할 수 있도록 모든 위치로 움직여 조립할 수 있습니다.

26 | 한국어

- 보조 손잡이 **6**의 아래 쪽을 시계 반대 방향으로 돌리고 보조 손잡이 **6**을 원하는 위치로 돌립니다. 그리고 나서 보조 손잡이 **6**의 아래 쪽을 시계 방향으로 다시 돌려 조입니다.

액세서리의 교환

Hex (육각) 톨 홀더를 사용하면 추가 공구를 사용하지 않고 간단하고 쉽게 비트를 교환할 수 있습니다.

먼지 막이 캡 **1**은 드릴작업 시 발생하는 먼지가 스며드는 것을 거의 방지합니다. 비트를 끼울 때 먼지 막이 캡 **1**이 손상되지 않도록 주의하십시오.

- ▶ **손상된 먼지 막이 캡은 즉시 교환해야 합니다. 서비스 센터에 의뢰하여 교환하도록 하는 것이 좋습니다.**

비트 장착하기 (그림 A 참조)

- 끼우려는 비트의 끝 부분을 깨끗이 닦고 그리스를 바릅니다.
- 잠금 슬라이브 **2**를 뒤로 밀고 삽입 비트를 돌리면서 톨 홀더 안으로 끼웁니다. 비트를 고정하려면 잠금 슬라이브 **2**를 다시 놓으십시오.
- 비트를 잡아당겨 보아 제대로 끼워졌는지 확인해 보십시오.

비트 탈착하기 (그림 B 참조)

- 잠금 슬라이브 **2**를 뒤로 당긴 상태에서 비트를 뽑니다.

분진 및 톨밥 추출장치

- ▶ **납 성분을 포함한 페인트나 몇몇 나무 종류, 또는 광물 성분 그리고 철과 같은 재료의 분진은 건강을 해칠 수 있습니다. 이 분진을 만지거나 호흡할 경우, 사용자나 주변 사람들은 알레르기 반응이나 호흡기 장애를 일으킬 수 있습니다.**
 - 떡갈나무나 너도밤나무와 같은 특정한 분진은 암을 유발시키며, 특히 목재 처리용으로 사용되는 부가 원료 (크로마트, 목재 보호제)와 혼합되면 암을 유발 시키게 됩니다. 석면 성분을 포함한 재료는 오직 전문가가 작업을 해야 합니다.
 - 작업장의 통풍이 잘 되도록 하십시오.
 - 필터등급 P2가 장착된 호흡 마스크를 사용하십시오.

작업용 재료에 관해 국가가 지정한 규정을 고려하십시오.

작동

기계 시동

- ▶ **공공 배전 전압에 주의! 공급되는 전원의 전압은 전동공구의 명판에 표기된 전압과 동일해야 합니다.**

에너지를 절약하기 위해 전동공구를 사용할 경우에만 스위치를 켜십시오.

전원 스위치 작동

- 전동공구를 **작동하려면** 전원 스위치 **4**를 누르고 누른 상태를 유지하십시오.

- 전원 스위치 **4**을 **누른 상태로** 유지하려면, 잠금 버튼 **3**을 누르십시오.
- 전동공구의 **스위치를 끄려면** 전원 스위치 **4**을 놓거나 잠금 버튼 **3**으로 고정된 경우 전원 스위치 **4**을 살짝 눌렀다가 다시 놓습니다.

저온 환경에서 작업할 경우 전동공구가 완전한 타격 성능을 보일 때까지 시간이 좀 걸립니다.

전동공구에 치줄을 삽입한 후 치줄을 한번 바닥에 대고 충격을 주면 이 예비 구동 시간을 단축할 수 있습니다.

사용방법

- ▶ **전동공구를 보수 정비하기 전에 반드시 콘센트에서 전원 플러그를 빼십시오.**

치줄 날 연마하기

날카로운 치줄로 작업해야 좋은 작업 결과를 얻을 수 있으므로 치줄을 적당한 시기에 연마해 주어야 합니다. 이렇게 하면 기기의 수명을 연장하고 높은 작업 효율을 보장합니다.

재연마

치줄을 금강석과 같은 연마석에 일정하게 물을 공급하며 연마하십시오. 이때 치줄 날에 열처리 색깔이 나타나지 않도록 주의하십시오; 이는 치줄의 강도에 지장을 주기 때문입니다.

단조 하려면 치줄을 850 에서 1050 °C 까지 (담홍색에서 노란색까지) 가열하여 날을 만듭니다.

담금질을 하려면 치줄을 약 900 °C로 가열한 다음 오일에 넣어 급냉시킵니다. 그리고 나서 320 °C의 가마에 넣어 (담금질 색깔: 담청색) 약 한 시간 동안 담금여 단단하게 합니다.

보수 정비 및 서비스

보수 정비 및 유지

- ▶ **전동공구를 보수 정비하기 전에 반드시 콘센트에서 전원 플러그를 빼십시오.**

- ▶ **안전하고 올바른 작업을 위하여 전동공구와 전동공구의 통풍구를 항상 깨끗이 하십시오.**

- ▶ **손상된 먼지 막이 캡은 즉시 교환해야 합니다. 서비스 센터에 의뢰하여 교환하도록 하는 것이 좋습니다.**

연결 코드를 교환해야 할 경우 안전을 기하기 위해 보쉬사나 보쉬 지정 전동공구 서비스 센터에 맡겨야 합니다.

전동공구의 윤활

전동공구는 그리스로 윤활되어 있습니다. 그리스는 보쉬 지정 전동공구 서비스 센터에 정기 점검이나 보수 정비 시에만 교환하도록 하십시오. 이때 반드시 이에 적당한 보쉬 윤활 그리스를 사용해야 합니다.

보쉬 AS 및 고객 상담

보쉬는 귀하의 제품 및 수리에 관한 문의를 받고 있습니다.

AS 센터 정보 및 제품에 대한 고객 상담은 하기 고객 콜센터 및 이메일 상담을 이용해주시기 바랍니다.

고객 콜센터 : 080-955-0909

이메일 상담 :

Bosch-pt.hotline@kr.bosch.com

문의나 대체 부품 주문 시에는 반드시 제품 네임 플레이트에 있는 10 자리의 부품번호를 알려 주십시오.

Bosch Korea, RBKR
Mechanics and Electronics Ltd.
PT/SAX-ASA

298 Bojeong-dong Giheung-gu
Yongin-si, Gyeonggi-do, 446-913
080-955-0909

처리

기기와 액세서리 및 포장 등은 친환경적인 방법으로 재활용할 수 있도록 분류하십시오.



전동공구를 가정용 쓰레기로 처리하지 마십시오!

위 사항은 사전 예고 없이 변경될 수도 있습니다.

ภาษาไทย**กฎระเบียบเพื่อความปลอดภัย****คำเตือนทั่วไปเพื่อความปลอดภัยในการใช้เครื่องมือไฟฟ้า**

⚠ คำเตือน ต้องอ่านคำเตือนเพื่อความปลอดภัยและคำสั่งทั้งหมด การไม่ปฏิบัติตามคำเตือนและคำสั่งอาจเป็นสาเหตุให้ถูกไฟฟ้าดูด เกิดไฟไหม้ และ/หรือได้รับบาดเจ็บอย่างร้ายแรง

เก็บรักษาคำเตือนและคำสั่งทั้งหมดสำหรับเปิดอ่านในภายหลัง

คำว่า "เครื่องมือไฟฟ้า" ในคำเตือนหมายถึง เครื่องมือไฟฟ้าของท่านที่ทำงานด้วยพลังงานไฟฟ้าที่ต่อจากเต้าเสียบ (มีสายไฟฟ้า) และเครื่องมือไฟฟ้าที่ทำงานด้วยพลังงานไฟฟ้าจากแบตเตอรี่ (ไร้สาย)

ความปลอดภัยในสถานที่ทำงาน

- ▶ รักษาสถานที่ทำงานให้สะอาดและมีไฟส่องสว่างดี สถานที่ที่มีมืดหรือรกรุงรังนำมาซึ่งอุบัติเหตุ
- ▶ อย่าใช้เครื่องมือไฟฟ้าในสภาพแวดล้อมที่เสี่ยงต่อการติดระเบิดได้ เช่น ในพื้นที่มีขงเหลว แก๊ส หรือฝุ่นที่ติดไฟได้ เมื่อใช้เครื่องมือไฟฟ้าจะเกิดประกายไฟซึ่งอาจจุดฝุ่นหรือไอให้ลุกเป็นไฟได้

- ▶ **ขณะใช้เครื่องมือไฟฟ้าทำงาน ต้องกันเด็กและผู้ยืนดูให้ออกห่าง** การหันเหความสนใจอาจทำให้ท่านขาดการควบคุมเครื่องได้

ความปลอดภัยเกี่ยวกับไฟฟ้า

- ▶ **ปลั๊กของเครื่องมือไฟฟ้าต้องมีขนาดพอดีกับเต้าเสียบอย่าตัดแปลงหรือแก้ไขตัวปลั๊กอย่างเด็ดขาด** อย่าต่อปลั๊กต่อใดๆ เข้ากับเครื่องมือไฟฟ้าที่มีสายดิน ปลั๊กที่ไม่ตัดแปลงและเต้าเสียบที่เข้ากันช่วยลดความเสี่ยงจากการถูกไฟฟ้าดูด
- ▶ **หลีกเลี่ยงไม่ให้ร่างกายสัมผัสกับพื้นผิวของสิ่งของที่ต่อสายดินไว้ เช่น ท่อ เครื่องทำความร้อน เต้า และตู้เย็น** จะเสี่ยงอันตรายจากการถูกไฟฟ้าดูดมากขึ้นหากกระแสไฟฟ้าวิ่งผ่านร่างกายของท่านลงดิน
- ▶ **อย่าวางเครื่องมือไฟฟ้าตากฝนหรือทิ้งไว้ในที่ชื้นและหากน้ำเข้าในเครื่องมือไฟฟ้า จะเพิ่มความเสี่ยงจากการถูกไฟฟ้าดูด**
- ▶ **อย่าใช้สายไฟฟ้าอย่างผิดๆ** อย่าถือเครื่องมือไฟฟ้าที่สาย อย่าใช้สายแฉกหรือสายไฟหรืออย่าดึงสายไฟฟ้าเพื่อถอดปลั๊กออกจากเต้าเสียบ กันสายไฟฟ้าออกห่างจากความร้อน น้ำมัน ขอบแหลมคม หรือส่วนของเครื่องที่กำลังเคลื่อนไหวน สายไฟฟ้าที่ชำรุดหรือพันกันยุ่งเพิ่มความเสี่ยงจากการถูกไฟฟ้าดูด
- ▶ **เมื่อใช้เครื่องมือไฟฟ้าทำงานกลางแจ้ง ให้ใช้สายไฟต่อที่ได้รับบริการรับรองให้ใช้ต่อในที่กลางแจ้งเท่านั้น** การใช้สายไฟต่อที่เหมาะสมสำหรับงานกลางแจ้งช่วยลดอันตรายจากการถูกไฟฟ้าดูด
- ▶ **หากไม่สามารถหลีกเลี่ยงการใช้เครื่องมือไฟฟ้าทำงานในสถานที่เปียกชื้นได้ ให้ใช้สวิตช์ตัดวงจรเมื่อเกิดการรั่วไหลของไฟฟ้าจากสายดิน** การใช้สวิตช์ตัดวงจรเมื่อเกิดการรั่วไหลของไฟฟ้าจากสายดินช่วยลดความเสี่ยงต่อการถูกไฟฟ้าดูด

ความปลอดภัยของบุคคล

- ▶ **ท่านต้องอยู่ในสภาพเตรียมพร้อม ระมัดระวังในสิ่งที่กำลังทำอยู่ และมีสติขณะใช้เครื่องมือไฟฟ้าทำงาน** อย่าใช้เครื่องมือไฟฟ้าขณะที่ท่านกำลังเหนื่อย หรืออยู่ภายใต้การครอบงำของฤทธิ์ของยาเสพติด แอลกอฮอล์ และยา เมื่อใช้เครื่องมือไฟฟ้าทำงาน ในชั่วโมงที่ท่านขาดความเอาใจใส่อาจทำให้บุคคลบาดเจ็บอย่างรุนแรงได้
- ▶ **ใช้อุปกรณ์ปกป้องร่างกาย สวมแว่นตาป้องกันเสมอ** อุปกรณ์ปกป้อง เช่น หน้ากากกันฝุ่น รองเท้ากันลื่น หมวกแข็ง หรือประภทหูกันเสียงดัง ที่เลือกใช้ตามความเหมาะสมกับสภาพการทำงาน สามารถลดอันตรายต่อบุคคลได้
- ▶ **ป้องกันการติดเครื่องโดยไม่ตั้งใจ ต้องดูให้แน่ใจว่าสวิตช์อยู่ในตำแหน่งปิดก่อนเสียบปลั๊กไฟเข้าในเต้าเสียบ และ/หรือใส่แท่งแบตเตอรี่ ยกขึ้นหรือถือเครื่องมือ** การถือเครื่องโดยใช้นิ้วหัวที่สวิตช์ หรือเสียบปลั๊กไฟในขณะที่สวิตช์เปิดอยู่ อาจนำไปสู่อุบัติเหตุที่ร้ายแรงได้
- ▶ **เอาเครื่องมือปรับแต่งหรือประแจปากตายออกจากเครื่องมือไฟฟ้าก่อนเปิดสวิตช์** เครื่องมือหรือประแจปากตายที่วางอยู่กับส่วนของเครื่องที่กำลังหมุนจะทำให้บุคคลบาดเจ็บได้

28 | ภาษาไทย

- ▶ หลีกเลี่ยงการตั้งท่าที่ผิดปกติ ตั้งทำยี่ห้อที่มั่นคงและวางน้ำหนักให้สมดุลตลอดเวลา ในลักษณะนี้ท่านสามารถควบคุมเครื่องมือไฟฟ้าในสถานการณ์ที่ไม่คาดคิดได้ดีกว่า
- ▶ ใส่เสื้อผ้าที่เหมาะสม อย่าใส่เสื้อผ้าหลวมหรือสวมเครื่องประดับ เอามม เสื้อผ้า และถุงมือออกห่างส่วนของเครื่องที่กำลังหมุน เสื้อผ้าหลวม เครื่องประดับ และผมยาวอาจเข้าไปติดในส่วนของเครื่องที่กำลังหมุนได้
- ▶ หากต้องต่อเครื่องมือไฟฟ้าเข้ากับเครื่องดูดฝุ่นหรือเครื่องเก็บผง ดูให้แน่ใจว่าการเชื่อมต่อและการใช้งานเป็นไปอย่างถูกต้อง การใช้อุปกรณ์ดูดฝุ่นช่วยลดอันตรายที่เกิดจากฝุ่นได้

การใช้และการดูแลรักษาเครื่องมือไฟฟ้า

- ▶ อย่าใช้เครื่องมือไฟฟ้าอย่างหักโหม ใช้เครื่องมือไฟฟ้าที่ถูกต้องตรงตามลักษณะงาน เครื่องมือไฟฟ้าที่ถูกต้องจะทำงานได้ดีกว่าและปลอดภัยกว่าในระดับสมรรถภาพที่ออกแบบไว้
- ▶ อย่าใช้เครื่องมือไฟฟ้าที่สวิทช์เปิดปิดเสีย เครื่องมือไฟฟ้าที่ไม่สามารถควบคุมการเปิดปิดด้วยสวิทช์ได้ เป็นเครื่องมือไฟฟ้าที่ไม่ปลอดภัยและต้องส่งซ่อมแซม
- ▶ ก่อนปรับแต่งเครื่อง เปลี่ยนอุปกรณ์ประกอบ หรือเก็บเครื่องเข้าที่ ต้องถอดปลั๊กไฟออกจากเต้าเสียบและ/หรือถอดแท่งแบตเตอรี่ออกจากเครื่องมือไฟฟ้า มาตรการป้องกันเพื่อความปลอดภัยนี้ช่วยลดความเสี่ยงจากการติดเครื่องโดยไม่ได้ตั้งใจ
- ▶ เมื่อเลิกใช้งานเครื่องมือไฟฟ้า ให้เก็บเครื่องไว้ในที่ที่เด็กหยิบไม่ถึง และไมอนุญาตให้บุคคลที่ไม่คุ้นเคยกับเครื่องมือหรือบุคคลที่ไม่ได้อ่านคำแนะนำนี้ใช้เครื่องมือไฟฟ้าเป็นของอันตรายหากตกอยู่ในมือของผู้ใช้ที่ไม่ได้รับการฝึกฝน
- ▶ เอาใจใส่ดูแลรักษาเครื่อง ตรวจสอบหาส่วนที่เคลื่อนไหวได้ของเครื่องว่าวางอยู่ตรงแนวหรือติดขัดหรือไม่ ตรวจสอบการแตกหักของชิ้นส่วนและสภาพอื่นใดที่อาจมีผลต่อการทำงานของเครื่องมือไฟฟ้า หากชำรุดต้องส่งเครื่องมือไฟฟ้าซ่อมแซมก่อนใช้งาน อุบัติเหตุหลายอย่างเกิดขึ้นเนื่องจากดูแลรักษาเครื่องไม่ดีพอ
- ▶ รักษาเครื่องมือตัดให้คมและสะอาด หากบำรุงรักษาเครื่องมือที่มีขอบตัดแหลมคมอย่างถูกต้อง จะสามารถตัดได้ลื่นไม่ติดขัดและควบคุมได้ง่ายกว่า
- ▶ ใช้เครื่องมือไฟฟ้า อุปกรณ์ประกอบ เครื่องมือ และอุปกรณ์อื่นๆ ให้ตรงตามคำแนะนำนี้ และในลักษณะตามที่เครื่องมือไฟฟ้าประเภทนั้นๆ กำหนดไว้ โดยต้องคำนึงถึงเงื่อนไขการทำงานและงานที่จะทำด้วย การใช้เครื่องมือไฟฟ้าทำงานที่ต่างไปจากวัตถุประสงค์การใช้งานของเครื่อง อาจนำไปสู่สถานการณ์ที่เป็นอันตรายได้

การบริการ

- ▶ ส่งเครื่องมือไฟฟ้าให้ช่างผู้เชี่ยวชาญตรวจสอบและใช้อะไหล่เปลี่ยนของแท้เท่านั้น ในลักษณะนี้ท่านจะแน่ใจได้ว่าเครื่องมือไฟฟ้าอยู่ในสภาพที่ปลอดภัย

คำเตือนเพื่อความปลอดภัยสำหรับส่วนต่อ

- ▶ สวมประภทป้องกันเสียงดัง การรับฟังเสียงดังอาจทำให้ท่านสูญเสียการได้ยิน

- ▶ หากด้ามจับเพิ่มจัดส่งมาพร้อมกับเครื่อง ให้ใช้ด้ามจับเพิ่มร่วมด้วย การสูญเสียการควบคุมอาจทำให้บุคคลบาดเจ็บได้
- ▶ เมื่อทำงานในบริเวณที่อุปกรณ์ตัดอาจสัมผัสกับสายไฟฟ้าที่ซ่อนอยู่หรือสายไฟฟ้าของเครื่อง ต้องจับเครื่องมือไฟฟ้าตรงด้ามจับที่หุ้มฉนวน หากอุปกรณ์ตัดสัมผัสกับสายที่มีกระแสไฟฟ้าไหลผ่านจะทำให้ส่วนที่เป็นโลหะของเครื่องมือไฟฟ้าเกิดมีกระแสไฟฟ้าด้วย และส่งผลให้ผู้ใช้เครื่องถูกไฟฟ้ากระตุกได้
- ▶ ใช้เครื่องตรวจที่เหมาะสมตรวจหาท่อ สายไฟฟ้า หรือสายโทรศัพท์ ที่อาจซ่อนอยู่ในบริเวณที่ทำงาน หรือขอความช่วยเหลือจากบริษัทสาธารณูปโภคในท้องถิ่น การสัมผัสกับสายไฟฟ้าอาจทำให้เกิดไฟไหม้หรือถูกไฟฟ้าดูด การทำให้ท่อแก๊สเสียหายอาจทำให้เกิดระเบิด การเจาะเข้าในท่อน้ำทำให้ทรัพย์สินเสียหาย หรืออาจเป็นเหตุให้ถูกไฟฟ้าดูดได้
- ▶ เมื่อใช้เครื่องทำงาน ต้องใช้มือทั้งสองจับเครื่องให้แน่น และตั้งทำยี่ห้อที่มั่นคงเสมอ เครื่องมือไฟฟ้าสามารถเคลื่อนมาได้มั่นคงกว่าเมื่อใช้มือทั้งสองข้างจับ
- ▶ ยึดชิ้นงานให้แน่น การยึดชิ้นงานด้วยเครื่องหนีบหรือแท่นจับจะมั่นคงกว่าการยึดด้วยมือ
- ▶ ก่อนวางเครื่องลงบนพื้นทุกครั้งต้องรอให้เครื่องหยุดนิ่งอยู่กับที่เสมอ มิฉะนั้นเครื่องมือที่ปล่อยอาจดีดขั้วและนำไปสู่การสูญเสียการควบคุมเครื่องมือไฟฟ้า

รายละเอียดผลิตภัณฑ์และข้อมูลจำเพาะ



ต้องอ่านคำเตือนเพื่อความปลอดภัยและคำสั่งทั้งหมด การไม่ปฏิบัติตามคำเตือนและคำสั่งอาจเป็นสาเหตุให้ถูกไฟฟ้าดูด เกิดไฟไหม้ และ/หรือได้รับบาดเจ็บอย่างร้ายแรง

ประโยชน์การใช้งานของเครื่อง

เครื่องนี้ใช้สำหรับงานสกัดในคอนกรีต อิฐ สิ่งก่อสร้างที่เกิดจากการก่ออิฐ และยางมะตอย และงานหมุนเจาะและอัดให้แน่นโดยต้องใช้อุปกรณ์ประกอบที่ตรงกับลักษณะงาน

ส่วนประกอบผลิตภัณฑ์

ลำดับเลขของส่วนประกอบผลิตภัณฑ์อ้างอิงถึงส่วนประกอบของเครื่องที่แสดงในหน้าภาพประกอบ

- 1 ฝาครอบกันฝุ่น
- 2 ปลอกสำหรับล้อ
- 3 ปุ่มล้อคอนกรีตเปิด-ปิด
- 4 สวิทช์เปิด-ปิด
- 5 ด้ามจับ (พื้นผิวจับหุ้มฉนวน)
- 6 ด้ามจับเพิ่ม (พื้นผิวจับหุ้มฉนวน)

อุปกรณ์ประกอบที่แสดงหรือระบุ ไม่รวมอยู่ในการจัดส่งมาตรฐาน กรุณาดูอุปกรณ์ประกอบทั้งหมดในรายการแสดงอุปกรณ์ประกอบของเรา

ข้อมูลทางเทคนิค

ส่วนเจาะกระแทก		GSH 5X Plus
หมายเลขสินค้า		3 611 C38 2..
กำลังไฟฟ้าเข้ากำหนด	วัตต์	1 025
อัตรากระแทก	/นาที	2750
พลังงานกระแทกต่อครั้งตามระเบียบการ-EPTA-Procedure 05/2009	จูล	6.8
ตามจับเครื่องมือ		17 มม. ทกเหลี่ยม
การหยอดน้ำมันหล่อลื่น		หล่อลื่นจารบี
น้ำหนักตามระเบียบการ-EPTA-Procedure 01:2014	กก.	5.5
ระดับความปลอดภัย		<input type="checkbox"/> /II

ค่าที่ให้มีใช้ได้กับแรงดันไฟฟ้าระบุ [U] 230 โวลท์ ค่าเหล่านี้อาจผิดแผกไปสำหรับแรงดันไฟฟ้าที่ต่ำกว่า และโมเดลที่สร้างสำหรับเฉพาะประเทศ

การประกอบ

- ▶ **ดึงปลั๊กไฟออกจากเต้าเสียบก่อนปรับแต่งเครื่อง**

ตามจับเพิ่ม

- ▶ **ให้ใช้เครื่องมือไฟฟ้าพร้อมทั้งตามจับเพิ่ม 6 เสมอ**
ท่านสามารถจับตามจับเพิ่ม 6 หนึ่งไปยังตำแหน่งใดก็ได้ เพื่อจะได้ทำงานที่มั่นคงและเหนียวน้อย
- หมุนส่วนล่างของตามจับเพิ่ม 6 ไปในทิศทวนเข็มนาฬิกา และหันตามจับเพิ่ม 6 ไปยังตำแหน่งที่ต้องการ จากนั้นขันตามจับเพิ่ม 6 เข้าให้แน่นเหมือนเดิม โดยหมุนไปในทิศตามเข็มนาฬิกา

การเปลี่ยนเครื่องมือ

ตามจับเครื่องมือรูปทกเหลี่ยมช่วยให้เปลี่ยนเครื่องมือได้ง่ายและสะดวกโดยไม่ต้องใช้เครื่องมือเพิ่มเติม

ฝาครอบกันฝุ่น 1 สามารถป้องกันไม่ให้ฝุ่นที่เกิดจากการเจาะลอดเข้าไปในหัวจับดอกขณะปฏิบัติงานได้เป็นอย่างดี เมื่อใส่เครื่องมือ ต้องระวังอย่าทำให้ฝาครอบกันฝุ่น 1 ชำรุด

- ▶ **การเปลี่ยนฝาครอบกันฝุ่นที่ชำรุดโดยทันที เราขอแนะนำว่า ควรส่งให้ศูนย์บริการหลังการขายเปลี่ยนให้**

การใส่ (ดูภาพประกอบ A)

- ทำความสะอาดและทาสีบางๆ ที่ปลายก้านเครื่องมือ
- ดันปลอกสำหรับลอค 2 ไปด้านหลังและจับเครื่องมือหมุนใส่เข้าไปในตามจับเครื่องมือ ปล่อยให้มือจากปลอกสำหรับลอค 2 เพื่อลอคเครื่องมือ
- ดึงเครื่องมือเพื่อตรวจสอบการลอค

การถอด (ดูภาพประกอบ B)

- ดันปลอกสำหรับลอค 2 ไปด้านหลัง และเอาเครื่องมือออก

การดูแล/ซีลีย

- ▶ ฝุ่นที่ได้จากวัสดุ เช่น เคลือบผิวที่มีสารตะกั่ว ไม่บางประเภท แร่ธาตุ และโลหะ อาจเป็นอันตรายต่อสุขภาพ การสัมผัส

หรือการหายใจเอาฝุ่นเข้าไปอาจทำให้เกิดปฏิกิริยาแพ้ฝุ่นและ/หรือนำมาซึ่งโรคติดเชื้อระบบหายใจแก่ผู้ใช้เครื่องมือหรือผู้ที่ยืนอยู่ใกล้เคียง

ฝุ่นบางประเภท เช่น ฝุ่นไม้โอ๊ก หรือไม้บีช นับเป็นสารที่ทำให้เกิดมะเร็ง โดยเฉพาะอย่างยิ่งเมื่อผสมกับสารเติมแต่งเพื่อบำบัดไม้ (โครเมต ผลิตภัณฑ์รักษาเนื้อไม้) สำหรับวัสดุที่มีแอลเบสทอลต้องให้ผู้เชี่ยวชาญทำงานเท่านั้น

- จัดสถานที่ทำงานให้มีการระบายอากาศที่ดี
- ขอแนะนำให้สวมหน้ากากป้องกันการติดเชื้อที่มีระดับ-ใส่กรอง P2

ปฏิบัติตามกฎข้อบังคับสำคัญอื่นๆ ที่เกี่ยวกับวัสดุชิ้นงานที่บังคับใช้ในประเทศของท่าน

การปฏิบัติงาน**เริ่มต้นปฏิบัติงาน**

- ▶ **ให้สังเกตแรงดันไฟฟ้า! แรงดันไฟฟ้าจากแหล่งจ่ายไฟฟ้าต้องมีค่าตรงกับค่าแรงดันไฟฟ้าที่ระบุไว้บนแผ่นป้ายติดเครื่อง**

เพื่อประหยัดพลังงาน เปิดสวิตช์เครื่องมือไฟฟ้าเฉพาะเมื่อใช้งานเท่านั้น

การเปิด-ปิดเครื่อง

- **เปิดเครื่องทำงาน** โดยกดสวิตช์เปิด-ปิด 4 และกดค้างไว้
- **ลอคสวิตช์เปิด-ปิด 4 ที่กดค้างไว้** โดยกดปุ่มลอคสวิตช์เปิด-ปิด 3
- **ปิดเครื่อง** โดยปล่อยนิ้วจากสวิตช์เปิด-ปิด 4 หรือในกรณีที่ถูกลอคด้วยปุ่มลอค 3 อยู่ ให้กดสวิตช์เปิด-ปิด 4 ลั่นๆ และปล่อยนิ้ว

หากเครื่องทำงานภายใต้อุณหภูมิค่า เครื่องจะเริ่มกระแทกเต็มที่หลังจากเปิดเครื่องทำงานแล้วระยะหนึ่งเท่านั้น ช่วงเวลาเริ่มทำงานนี้สามารถลดให้สั้นลงได้โดยการกระทุ้งดอกสกัดในเครื่องลงกับพื้นหนึ่งครั้ง

ข้อแนะนำในการทำงาน

- ▶ **ดึงปลั๊กไฟออกจากเต้าเสียบก่อนปรับแต่งเครื่อง**

การลอคดอกสกัด

ดอกสกัดคมเท่านั้นที่จะสกัดได้ดี ดังนั้นต้องลับเครื่องมือสกัดเมื่อถึงเวลาอันควร การปฏิบัติดังนี้จะทำให้เครื่องมือมีอายุการใช้งานยาวนานและได้งานสกัดที่ดี

การลับซ้ำ

ลับเครื่องมือสกัดด้วยล้อหินเจียรระโน (ต.ย. เช่น ล้อคอร์รันดัม ยึดเกาะด้วยเซรามิก) โดยให้น้ำค้างที่ ระมัดระวังอย่าให้ปรากฏ สีเขามบนขอบตัด ซึ่งจะส่งผลเสียต่อความแข็งแรงของเครื่องมือสกัด

สำหรับ **การตีเหล็ก** เฝ้าดอกสกัดให้ร้อนถึงอุณหภูมิระหว่าง 850 และ 1050 องศาเซลเซียส (สีแดงอ่อนถึงสีเหลือง)

สำหรับ **การทำให้แข็ง** เฝ้าดอกสกัดให้ร้อนถึงอุณหภูมิประมาณ 900 องศาเซลเซียส และจุ่มดอกสกัดลงในน้ำมันเพื่อทำให้เย็นลง จากนั้นนำไปเผาในเตาอบนานประมาณ 1 ชั่วโมงที่อุณหภูมิ 320 องศาเซลเซียส (สีเฝ้า = สีฟ้าอ่อน)

การบำรุงรักษาและการบริการ

การบำรุงรักษาและการทำความสะอาด

- ▶ ดึงปลั๊กไฟออกจากเต้าเสียบก่อนปรับแต่งเครื่อง
- ▶ เพื่อให้ทำงานได้อย่างถูกต้องและปลอดภัย ต้องรักษาเครื่องและช่องระบายอากาศให้สะอาดอยู่เสมอ
- ▶ ควรเปลี่ยนฝาครอบกันฝุ่นที่ชำรุดโดยทันที เราขอแนะนำว่า ควรส่งให้ศูนย์บริการหลังการขายเปลี่ยนให้

เมื่อจำเป็นต้องเปลี่ยนสายไฟฟ้า ให้ส่งเครื่องให้บริษัท บ็อชหรือศูนย์บริการลูกค้าสำหรับเครื่องมือไฟฟ้า บ็อช ที่ได้รับมอบหมายทำการเปลี่ยนให้ เพื่อหลีกเลี่ยงอันตรายด้านความปลอดภัย

การหล่อลื่นเครื่องมือไฟฟ้า

เครื่องมือไฟฟ้าที่หล่อลื่นด้วยจารบี การเปลี่ยนจารบีหล่อลื่น จำเป็นต้องทำเฉพาะในช่วงบำรุงรักษาหรือซ่อมแซม โดยศูนย์บริการลูกค้าที่ได้รับมอบหมายสำหรับเครื่องมือไฟฟ้า บ็อช เท่านั้น สำหรับการเปลี่ยน ต้องใช้จารบีหล่อลื่นที่กำหนดของ บ็อช เป็นสำคัญ

การบริการหลังการขายและคำแนะนำการใช้งาน

ศูนย์บริการหลังการขายของเรายินดีตอบคำถามเกี่ยวกับการบำรุงรักษาและการซ่อมแซมผลิตภัณฑ์ของท่าน รวมทั้งชิ้นส่วนอะไหล่ ภาพแยกชิ้นประกอบและข้อมูลเกี่ยวกับชิ้นส่วนอะไหล่ยังสามารถดูได้ใน:

www.bosch-pt.com

ทีมงานให้คำแนะนำการใช้งานของ บ็อช ยินดีตอบคำถามเกี่ยวกับผลิตภัณฑ์ของเราและอุปกรณ์ประกอบของผลิตภัณฑ์ เมื่อต้องการสอบถามและสั่งซื้ออะไหล่ กรุณาแจ้งหมายเลขสินค้า 10 หลักบนแผ่นป้ายรุ่นของผลิตภัณฑ์ทุกครั้ง

ไทย

บริษัท โรเบิร์ต บ็อช จำกัด
ชั้น 11 ตึกลิเบอร์ตี สแควร์
287 ถนนสีลม บางรัก
กรุงเทพฯ 10500
โทรศัพท์ 02 6393111
โทรสาร 02 2384783
บริษัท โรเบิร์ต บ็อช จำกัด ตู้ ปณ. 2054
กรุงเทพฯ 10501 ประเทศไทย
www.bosch.co.th

ศูนย์บริการซ่อมและฝึกอบรม บ็อช
อาคาร ลาซาลทาวเวอร์ ชั้น G ห้องเลขที่ 2
บ้านเลขที่ 10/11 หมู่ 16
ถนนศรีนครินทร์
ตำบลบางแก้ว อำเภอบางพลี
จังหวัดสมุทรปราการ 10540
ประเทศไทย
โทรศัพท์ 02 7587555
โทรสาร 02 7587525

การกำจัดขยะ

เครื่องมือ อุปกรณ์ประกอบ และหีบห่อ ต้องนำไปแยกประเภทวัสดุเพื่อนำกลับมาใช้ใหม่โดยไม่ทำลายสภาพแวดล้อม



อย่าทิ้งเครื่องมือไฟฟ้าลงในขยะบ้าน!

ขอสงวนสิทธิ์ในการเปลี่ยนแปลงโดยไม่ต้องแจ้งล่วงหน้า

Bahasa Indonesia

Petunjuk-Petunjuk untuk Keselamatan Kerja

Petunjuk-Petunjuk Umum untuk Perkakas Listrik

PERHATIKANLAH Bacalah semua petunjuk-petunjuk untuk keselamatan kerja dan petunjuk-petunjuk untuk penggunaan.

Kesalahan dalam menjalankan petunjuk-petunjuk untuk keselamatan kerja dan petunjuk-petunjuk untuk penggunaan dapat mengakibatkan kontak listrik, kebakaran dan/atau luka-luka yang berat.

Simpanlah semua petunjuk-petunjuk untuk keselamatan kerja dan petunjuk-petunjuk lainnya untuk penggunaan di masa depan.

Kata „perkakas listrik“ yang disebutkan di dalam petunjuk-petunjuk untuk keselamatan kerja adalah sebutan untuk perkakas listrik pakai listrik jaringan (dengan kabel) dan untuk perkakas listrik tenaga baterai (tanpa kabel listrik).

Keselamatan kerja di tempat kerja

- ▶ **Jagalah supaya tempat kerja selalu bersih dan terang.** Tempat kerja yang tidak rapi atau tidak terang dapat mengakibatkan terjadinya kecelakaan.
- ▶ **Janganlah menggunakan perkakas listrik di tempat di mana dapat terjadi ledakan, di mana ada cairan, gas atau debu yang mudah terbakar.** Perkakas listrik dapat memancarkan bunga api yang lalu mengakibatkan debu atau uap terbakar.
- ▶ **Selama menggunakan perkakas listrik, jauhkan anak-anak dan orang-orang lain dari tempat kerja.** Jika konsentrasi terganggu, bisa jadi Anda tidak bisa mengendalikan perkakas listrik tersebut.

Keamanan listrik

- ▶ **Steker dari perkakas listrik harus cocok pada stopkontak. Janganlah sekali-kali merubah steker. Janganlah menggunakan steker perantara bersama dengan perkakas listrik yang mempunyai hubungan arde.** Steker yang tidak dirubah dan stopkontak yang cocok mengurangi bahaya terjadinya kontak listrik.

- ▶ **Jagalah supaya badan Anda tidak bersentuhan dengan permukaan yang mempunyai hubungan arde, misalnya pipa-pipa, radiator pemanas ruangan, kompor listrik dan lemari es.** Ada risiko besar terjadi kontak listrik, jika badan Anda mempunyai hubungan arde.
- ▶ **Jagalah supaya perkakas listrik tidak kena hujan atau menjadi basah.** Air yang masuk ke dalam perkakas listrik menambah risiko terjadinya kontak listrik.
- ▶ **Janganlah menyalah gunakan kabel listrik untuk mengangkat dan menggantungkan perkakas listrik atau untuk menarik steker dari stopkontak. Jagalah supaya kabel listrik tidak kena panas, minyak, pinggiran yang tajam atau bagian-bagian perkakas yang bergerak.** Kabel listrik yang rusak atau tersangkut menambah risiko terjadinya kontak listrik.
- ▶ **Jika Anda menggunakan perkakas listrik di luar gedung, gunakanlah hanya kabel sambungan yang juga cocok untuk pemakaian di luar gedung.** Penggunaan kabel sambungan yang cocok untuk pemakaian di luar gedung mengurangi risiko terjadinya kontak listrik.
- ▶ **Jika penggunaan perkakas listrik di tempat yang basah tidak bisa dihindarkan, gunakanlah sakelar pengaman terhadap arus penyimpangan.** Penggunaan sakelar pengaman terhadap arus penyimpangan mengurangi risiko terjadinya kontak listrik.

Keselamatan kerja

- ▶ **Berhati-hatilah selalu, perhatikanlah apa yang Anda kerjakan dan bekerjalah dengan seksama jika menggunakan perkakas listrik. Janganlah menggunakan perkakas listrik, jika Anda capai atau berada di bawah pengaruh narkoba, minuman keras atau obat.** Jika Anda sekejap mata saja tidak berhati-hati sewaktu menggunakan perkakas listrik, dapat terjadi luka-luka berat.
- ▶ **Pakailah pakaian dan sarana pelindung dan pakailah selalu kaca mata pelindung.** Dengan memakai pakaian dan sarana pelindung, misalnya kedok anti debu (masker), sepatu tertutup yang tidak licin, helm pelindung atau pemalut telinga sesuai dengan pekerjaan yang dilakukan dengan perkakas listrik, bahaya terjadinya luka-luka dapat dikurangi.
- ▶ **Jagalah supaya perkakas listrik tidak dihidupkan secara tidak disengaja. Perhatikan bahwa perkakas listrik dalam penyetelan mati, jika steker disambungkan pada pengadaan listrik dan/atau baterai, jika perkakas listrik diangkat atau dibawa.** Jika selama mengangkat perkakas listrik jari Anda berada pada tombol untuk menghidupkan dan mematikan atau perkakas listrik yang dalam penyetelan hidup disambungkan pada listrik, dapat terjadi kecelakaan.
- ▶ **Lepaskan semua perkakas-perkakas penyetelan atau kunci-kunci pas sebelum perkakas listrik dihidupkan.** Perkakas atau kunci yang berada di dalam bagian yang berputar dapat mengakibatkan terjadinya luka-luka.
- ▶ **Aturkan badan sedemikian sehingga Anda bisa bekerja dengan aman. Berdirilah secara mantap dan jagalah selalu keseimbangan.** Dengan demikian Anda bisa mengendalikan perkakas listrik dengan lebih baik, jika terjadi sesuatu dengan tiba-tiba.
- ▶ **Pakailah pakaian yang cocok. Janganlah memakai pakaian yang longgar atau perhiasan. Jagalah supaya rambut, pakaian dan sarung tangan tidak masuk dalam bagian-bagian perkakas yang bergerak.** Pakaian yang longgar, rambut panjang atau perhiasan dapat tersangkut dalam bagian perkakas yang bergerak.
- ▶ **Jika ada kemungkinan untuk memasang sarana penghisapan dan penampungan debu, perhatikan bahwa sarana-sarana ini telah dipasang dan digunakan dengan betul.** Penggunaan sarana penghisapan bisa mengurangi bahaya yang disebabkan debu.

Penggunaan dan penanganan perkakas listrik dengan seksama

- ▶ **Janganlah membebankan perkakas listrik terlalu berat. Gunakan selalu perkakas listrik yang cocok untuk pekerjaan yang dilakukan.** Dengan perkakas listrik yang cocok Anda bekerja lebih baik dan lebih aman dalam batas-batas kemampuan yang ditentukan.
- ▶ **Janganlah menggunakan perkakas listrik yang tombolnya rusak.** Perkakas listrik yang tidak bisa dihidupkan atau dimatikan, berbahaya dan harus direparasikan.
- ▶ **Tariklah steker dari stopkontak dan/atau keluarkan baterai, sebelum Anda melakukan penyetelan pada perkakas listrik, mengganti alat-alat kerja atau sebelum menyimpan perkakas listrik.** Tindakan keselamatan kerja ini mengurangi bahaya perkakas listrik hidup secara tidak disengaja.
- ▶ **Simpanlah perkakas listrik yang tidak digunakan di luar jangkauan anak-anak. Janganlah mengizinkan orang-orang yang tidak mengenal perkakas listrik ini atau yang belum membaca petunjuk-petunjuk ini, menggunakan perkakas listrik ini.** Perkakas listrik bisa menjadi berbahaya, jika digunakan oleh orang-orang yang tidak mengenalnya.
- ▶ **Rawatlah perkakas listrik dengan seksama. Periksa, apakah bagian-bagian perkakas listrik yang bergerak berfungsi dengan baik dan tidak tersangkut, apakah ada bagian-bagian yang patah atau rusak sedemikian, sehingga dapat mempengaruhi jalannya perkakas listrik. Biarkan bagian-bagian perkakas yang rusak direparasikan, sebelum Anda mulai menggunakan perkakas listrik.** Banyak kecelakaan terjadi karena perkakas listrik tidak dirawat dengan seksama.
- ▶ **Perhatikan supaya alat-alat pemotong selalu tajam dan bersih.** Alat-alat pemotong dengan mata-mata pemotong yang tajam dan dirawat dengan seksama tidak mudah tersangkut dan lebih mudah dikendalikan.
- ▶ **Gunakanlah semua perkakas listrik, aksesor, alat-alat kerja dsb. sesuai dengan petunjuk-petunjuk. Perhatikan syarat-syarat kerja dan macam pekerjaan yang dilakukan.** Penggunaan perkakas listrik untuk macam pekerjaan yang tidak cocok dengan kegunaannya bisa mengakibatkan keadaan yang berbahaya.

32 | Bahasa Indonesia

Servis

- ▶ **Biarkan perkakas listrik Anda direparasikan hanya oleh orang-orang ahli yang berpengalaman dan hanya dengan menggunakan suku cadang yang asli.** Dengan demikian terjamin keselamatan kerja dengan perkakas listrik ini secara berkesinambungan.

Petunjuk-petunjuk untuk keselamatan kerja dengan palu

- ▶ **Pakailah pemalut telinga.** Jika Anda mendengar suara bising untuk waktu yang lama, daya pendengaran bisa berkurang.
- ▶ **Gunakanlah gagang tambahan-gagang tambahan, jika ini dipasok bersama dengan perkakas listrik.** Perkakas listrik yang tidak bisa dikendalikan bisa mengakibatkan terjadinya luka-luka.
- ▶ **Peganglah perkakas listrik hanya pada pegangan yang terisolir jika Anda melakukan pekerjaan yang memungkinkan alat pemotong ini menjalin kontak dengan kabel listrik yang tidak terlihat atau kabelnya sendiri.** Alat kerja yang bersentuhan dengan kabel yang bertegangan dapat mengakibatkan bagian-bagian logam dari perkakas listrik juga ikut dialiri tegangan arus dan mengakibatkan terjadinya kontak listrik.
- ▶ **Gunakanlah alat detektor logam yang cocok untuk mencari kabel dan pipa yang tidak terlihat atau hubungi perusahaan pengadaan setempat.** Sentuhan dengan kabel-kabel listrik dapat mengakibatkan api dan kontak listrik. Pipa gas yang dirusak dapat mengakibatkan ledakan. Pipa air yang dirusak mengakibatkan kerusakan barang-barang atau dapat mengakibatkan kontak listrik.
- ▶ **Selama digunakan, peganglah perkakas listrik dengan kedua belah tangan dan perhatikanlah supaya Anda berdiri secara teguh.** Perkakas listrik bisa dikendalikan lebih baik jika dipegang dengan kedua belah tangan.
- ▶ **Usahakan supaya benda yang dikerjakan tidak goyang.** Benda yang ditahan dalam alat pemegang atau bais lebih mantap daripada benda yang dipegang dengan tangan.
- ▶ **Sebelum meletakkan perkakas listrik, tunggulah sampai perkakas berhenti memutar.** Alat kerja bisa tersangkut dan membuat perkakas listrik tidak bisa dikendalikan.

Penjelasan tentang produk dan daya

Bacalah semua petunjuk-petunjuk untuk keselamatan kerja dan petunjuk-petunjuk untuk penggunaan. Kesalahan dalam menjalankan petunjuk-petunjuk untuk keselamatan kerja dan petunjuk-petunjuk untuk penggunaan dapat mengakibatkan kontak listrik, kebakaran dan/atau luka-luka yang berat.

Penggunaan alat

Mesin ini cocok untuk pekerjaan memahat pada bahan beton, batu bata, batu-batuan dan aspal serta dengan mempergunakan aksesoris yang cocok, juga untuk menanam dan memadatkan.

Bagian-bagian pada gambar

Nomor-nomor dari bagian-bagian perkakas pada gambar sesuai dengan gambar perkakas listrik pada halaman bergambar.

- 1 Kap pelindung debu
- 2 Selubung pengunci
- 3 Tombol pengunci untuk tombol untuk menghidupkan dan mematikan
- 4 Tombol untuk menghidupkan dan mematikan
- 5 Pegangan (genggaman terisolir)
- 6 Gagang tambahan (genggaman terisolir)

Aksesoris yang ada pada gambar atau yang dijelaskan, tidak termasuk pasokan standar dari perkakas listrik. Semua aksesoris yang ada bisa Anda lihat dalam program aksesoris Bosch.

Data teknis

Mesin palu	GSH 5X Plus	
Nomor model		3 611 C38 2..
Masukan nominal	W	1025
Banyaknya getaran	min ⁻¹	2750
Daya tiap-tiap getar sesuai dengan EPTA-Procedure 05/2009	J	6,8
Pemegang alat kerja		17 mm Hex
Pelumasan		Pelumasan dengan gemuk
Berat sesuai dengan EPTA-Procedure 01:2014	kg	5,5
Klasifikasi keamanan		□/II

Data-data berlaku untuk tegangan nominal [U] 230 V. Pada tegangan yang lebih rendah dan pada model khusus mancanegara data-data ini bisa berlainan.

Cara memasang

- ▶ **Sebelum mulai dengan pekerjaan pada perkakas listrik, tariklah steker dari stopkontak.**

Gagang tambahan

- ▶ **Gunakanlah perkakas listrik hanya dengan gagang tambahan 6.**

Anda bisa memutar gagang tambahan 6 ke kedudukan yang cocok dengan macam pekerjaan, supaya posisi kerja mantap dan tidak begitu melelahkan.

- Putarkan pegangan bagian bawah dari gagang tambahan 6 dalam arah yang berlawanan dengan jalannya jarum jam dan putarkan gagang tambahan 6 ke kedudukan yang dikehendaki. Setelah itu pegangan bagian bawah dari gagang tambahan 6 dikencangkan dengan cara memutarkannya dalam arah jalannya jarum jam.

Mengganti alat kerja

Dengan pemegang alat kerja Hex Anda bisa mengganti alat kerja dengan mudah dan cepat tanpa menggunakan perkakas tambahan.

Kap pelindung debu **1** menghindarkan debu masuk ke dalam pemegang alat kerja selama mesin digunakan. Selama memasang alat kerja, perhatikanlah supaya kap pelindung debu **1** tidak menjadi rusak.

- ▶ **Kap pelindung debu yang rusak harus segera diganti. Kami anjurkan supaya pekerjaan ini dilakukan oleh suatu Service Center Bosch.**

Memasang alat kerja (lihat gambar A)

- Bersihkan ujung pegang dari alat kerja dan lumasnya sedikit.
- Dorongkan selubung pengunci **2** ke belakang dan masukkan alat kerja ke dalam pemegang alat kerja sambil memutar alat kerja. Lepaskan selubung pengunci **2** untuk mengunci alat kerjanya.
- Periksa apakah alat kerja sudah terkunci dengan cara menariknya.

Mengeluarkan alat kerja (lihat gambar B)

- Dorongkan selubung pengunci **2** ke belakang dan lepaskan alat kerja.

Penghisapan debu/serbuk

- ▶ Debu dari bahan-bahan seperti misalnya cat yang mengandung timbel (timah hitam), beberapa jenis kayu, bahan mineral dan logam bisa berbahaya bagi kesehatan. Menyentuh atau menghirup debu-debu ini bisa mengakibatkan reaksi alergi dan/atau penyakit saluran pernafasan dari orang yang menggunakan mesin atau orang yang berada di dekatnya. Beberapa debu tertentu seperti misalnya debu kayu pohon quercus atau pohon fagus silvatica dianggap bisa mengakibatkan penyakit kanker, terutama dalam campuran dengan bahan-bahan tambahan untuk pengolahan kayu (kromat, obat pengawet kayu). Bahan-bahan yang mengandung asbestos hanya boleh dikerjakan oleh orang-orang yang ahli.
- Perhatikanlah supaya ada pertukaran udara di tempat kerja.
- Kami anjurkan supaya Anda memakai kedok anti debu dengan saringan (filter) kelas P2.

Taatilah peraturan-peraturan untuk bahan-bahan yang dikerjakan yang berlaku di negara Anda.

Penggunaan

Cara penggunaan

- ▶ **Perhatikan tegangan jaringan listrik! Tegangan jaringan listrik harus sesuai dengan tegangan listrik yang tercantum pada label tipe perkakas listrik.**

Untuk menghemat energi, hiduppkan perkakas listrik hanya jika Anda menggunakannya.

Menghidupkan/mematikan

- Untuk **menghidupkan**, tekan tombol untuk menghidupkan dan mematikan **4** dan tahan tekanan.
- Untuk **mengunci** tombol untuk menghidupkan dan mematikan **4** yang tertekan, tekan tombol pengunci **3**.

- Untuk **mematikan**, lepaskan tombol untuk menghidupkan dan mematikan **4** atau jika dikunci dengan tombol pengunci **3**, tekan sebentar tombol **4** dan lepaskan.

Pada suhu yang rendah, perkakas listrik ini baru setelah lewat beberapa waktu mencapai daya kemampuan penuh. Waktu roning ini bisa diperpendek, jika alat kerja yang terpasang dikenakan pada lantai satu kali saja.

Petunjuk-petunjuk untuk pemakaian

- ▶ **Sebelum mulai dengan pekerjaan pada perkakas listrik, tariklah steker dari stopkontak.**

Mengasah pahat

Hanya dengan pahat-pahat yang tajam dapat diperoleh hasil kerja yang bagus, karena itu asahlah pahat-pahat sebelum terlambat. Hal ini menjamin pahat-pahat tahan lebih lama dan hasil kerja yang bagus.

Mengasah

Asahkan pahat-pahat pada mata gerinda, misalnya dari korundum, sambil dibasahi dengan air secara kontinu. Perhatikanlah supaya pada ujung pahat tidak tampak warna sepuh; karena hal ini mengurangi kekerasan pahat.

Untuk **menempa**, panaskan pahat menjadi 850 sampai 1050 °C (merah cabai sampai kuning).

Untuk **menyepuh**, panaskan pahat sampai 900 °C dan masukkan ke dalam minyak. Setelah itu dimurnikan dalam oven kira-kira selama satu jam pada suhu 320 °C (warna sepuh biru muda).

Rawatan dan servis

Rawatan dan kebersihan

- ▶ **Sebelum mulai dengan pekerjaan pada perkakas listrik, tariklah steker dari stopkontak.**
- ▶ **Perkakas listrik dan lubang ventilasi harus selalu dibersihkan supaya perkakas bisa digunakan dengan baik dan aman.**
- ▶ **Kap pelindung debu yang rusak harus segera diganti. Kami anjurkan supaya pekerjaan ini dilakukan oleh suatu Service Center Bosch.**

Jika kabel listrik harus digantikan, pekerjaan ini harus dilakukan oleh Bosch atau Service Center untuk perkakas listrik Bosch yang resmi, supaya keselamatan kerja selalu terjamin.

Melumasi perkakas listrik

Perkakas listrik ini dilumasi dengan gemuk. Gemuk ini hanya perlu digantikan, jika perkakas listrik sedang diservis atau direparasikan oleh satu Service Center perkakas listrik Bosch yang resmi. Untuk perkakas listrik ini hanya boleh digunakan gemuk yang khusus dan bermerek Bosch.

Layanan pasca beli dan konseling terkait pengoperasian

Layanan pasca beli Bosch menjawab semua pertanyaan Anda terkait reparasi dan maintenance serta suku cadang produk ini. Gambar tiga dimensi dan informasi terkait suku cadang dapat Anda lihat di:

www.bosch-pt.com

34 | Tiếng Việt

Tim konseling pengoperasian dari Bosch dengan senang hati membantu Anda, jika Anda hendak bertanya tentang produk-produk kami dan aksesorisnya.

Jika Anda hendak menanyakan sesuatu atau memesan suku cadang, sebutkan selalu nomor model yang terdiri dari 10 angka dan tercantum pada label tipe produk.

Indonesia

PT Robert Bosch
Palma Tower 10th Floor
Jl. RA Kartini II-S Kaveling 6 Sek II
Pondok Pinang, Kebayoran Lama
Jakarta Selatan 12310
Tel.: (021) 3005 5800
Fax: (021) 3005 5801
E-Mail: boschpowertools@id.bosch.com
www.bosch-pt.co.id

Cara membuang

Perkakas listrik, aksesoris dan kemasan sebaiknya didaur ulangkan sesuai dengan upaya untuk melindungi lingkungan hidup.



Janganlah membuang perkakas listrik dalam sampah rumah tangga!

Perubahan dapat terjadi tanpa pemberitahuan sebelumnya.

Tiếng Việt

Các Nguyên Tắc An Toàn

Cảnh báo tổng quát cách sử dụng an toàn dụng cụ điện cầm tay

⚠ CẢNH BÁO Đọc kỹ mọi cảnh báo an toàn và hướng dẫn. Không tuân thủ mọi cảnh báo và hướng dẫn được liệt kê dưới đây có thể bị điện giật, gây cháy và/hay bị thương tật nghiêm trọng.

Hãy giữ tất cả tài liệu về cảnh báo và hướng dẫn để tham khảo về sau.

Thuật ngữ “dụng cụ điện cầm tay” trong phần cảnh báo là để cập đến sự sử dụng dụng cụ điện cầm tay của bạn, loại sử dụng điện nguồn (có dây cắm điện) hay vận hành bằng pin (không dây cắm điện).

Khu vực làm việc an toàn

- ▶ **Giữ nơi làm việc sạch và đủ ánh sáng.** Nơi làm việc bừa bộn và tối tăm dễ gây ra tai nạn.
- ▶ **Không vận hành dụng cụ điện cầm tay trong môi trường dễ gây nổ, chẳng hạn như nơi có chất lỏng dễ cháy, khí đốt hay rác.** Dụng cụ điện cầm tay tạo ra các tia lửa nên có thể làm rác bén cháy hay bốc khói.

- ▶ **Không để trẻ em hay người đến xem đứng gần khi vận hành dụng cụ điện cầm tay.** Sự phân tâm có thể gây ra sự mất điều khiển.

An toàn về điện

- ▶ **Phích cắm của dụng cụ điện cầm tay phải thích hợp với ổ cắm. Không bao giờ được cải biến lại phích cắm dưới mọi hình thức. Không được sử dụng phích tiếp hợp nối tiếp đất (dây mát).** Phích cắm nguyên bản và ổ cắm đúng loại sẽ làm giảm nguy cơ bị điện giật.
- ▶ **Tránh không để thân thể tiếp xúc với đất hay các vật có bề mặt tiếp đất như đường ống, lò sưởi, hàng rào và tủ lạnh.** Có nhiều nguy cơ bị điện giật hơn nếu cơ thể bạn bị tiếp hay nối đất.
- ▶ **Không được để dụng cụ điện cầm tay ngoài mưa hay ở tình trạng ẩm ướt.** Nước vào máy sẽ làm tăng nguy cơ bị điện giật.
- ▶ **Không được lạm dụng dây dẫn điện. Không bao giờ được nắm dây dẫn để xách, kéo hay rút phích cắm dụng cụ điện cầm tay. Không để dây gần nơi có nhiệt độ cao, dầu nhớt, vật nhọn bén hay bộ phận chuyển động.** Làm hỏng hay cuộn rối dây dẫn làm tăng nguy cơ bị điện giật.
- ▶ **Khi sử dụng dụng cụ điện cầm tay ngoài trời, dùng dây nối thích hợp cho việc sử dụng ngoài trời.** Sử dụng dây nối thích hợp cho việc sử dụng ngoài trời làm giảm nguy cơ bị điện giật.
- ▶ **Nếu việc sử dụng dụng cụ điện cầm tay ở nơi ẩm ướt là không thể tránh được, dùng thiết bị ngắt mạch tự động (RCD) bảo vệ nguồn.** Sử dụng thiết bị ngắt mạch tự động RCD làm giảm nguy cơ bị điện giật.

An toàn cá nhân

- ▶ **Hãy tỉnh táo, biết rõ mình đang làm gì và hãy sử dụng ý thức khi vận hành dụng cụ điện cầm tay. Không sử dụng dụng cụ điện cầm tay khi đang mệt mỏi hay đang bị tác động do chất gây nghiện, rượu hay dược phẩm gây ra.** Một thoáng mất tập trung khi đang vận hành dụng cụ điện cầm tay có thể gây thương tích nghiêm trọng cho bản thân.
- ▶ **Sử dụng trang bị bảo hộ cá nhân. Luôn luôn đeo kính bảo vệ mắt.** Trang bị bảo hộ như khẩu trang, giày chống trượt, nón bảo hộ, hay dụng cụ bảo vệ tai khi được sử dụng đúng nơi đúng chỗ sẽ làm giảm nguy cơ thương tật cho bản thân.
- ▶ **Phòng tránh máy khởi động bất ngờ. Bảo đảm công tắc máy ở vị trí tắt trước khi cắm vào nguồn điện và/hay lắp pin vào, khi nhấc máy lên hay khi mang xách máy.** Ngang ngón tay vào công tắc máy để xách hay kích hoạt dụng cụ điện cầm tay khi công tắc ở vị trí mở dễ dẫn đến tai nạn.

- ▶ **Lấy mọi chìa hay khóa điều chỉnh ra trước khi mở điện dụng cụ điện cầm tay.** Khóa hay chìa còn gắn dính vào bộ phận quay của dụng cụ điện cầm tay có thể gây thương tích cho bản thân.
- ▶ **Không rướn người. Luôn luôn giữ tư thế đứng thích hợp và thẳng bằng.** Điều này tạo cho việc điều khiển dụng cụ điện cầm tay tốt hơn trong mọi tình huống bất ngờ.
- ▶ **Trang phục thích hợp. Không mặc quần áo rộng lưng thùng hay mang trang sức. Giữ tóc, quần áo và găng tay xa khỏi các bộ phận chuyển động.** Quần áo rộng lưng thùng, đồ trang sức hay tóc dài có thể bị cuốn vào các bộ phận chuyển động.
- ▶ **Nếu có các thiết bị đi kèm để nối máy hút bụi và các phụ kiện khác, bảo đảm các thiết bị này được nối và sử dụng tốt.** Việc sử dụng các thiết bị gom hút bụi có thể làm giảm các độc hại liên quan đến bụi gây ra.

Sử dụng và bảo dưỡng dụng cụ điện cầm tay

- ▶ **Không được ép máy. Sử dụng dụng cụ điện cầm tay đúng loại theo đúng ứng dụng của bạn.** Dụng cụ điện cầm tay đúng chức năng sẽ làm việc tốt và an toàn hơn theo đúng tiến độ mà máy được thiết kế.
- ▶ **Không sử dụng dụng cụ điện cầm tay nếu như công tắc không tắt và mở được.** Bất kỳ dụng cụ điện cầm tay nào mà không thể điều khiển được bằng công tắc là nguy hiểm và phải được sửa chữa.
- ▶ **Rút phích cắm ra khỏi nguồn điện và/hay pin ra khỏi dụng cụ điện cầm tay trước khi tiến hành bất kỳ điều chỉnh nào, thay phụ kiện, hay cắt dụng cụ điện cầm tay.** Các biện pháp ngăn ngừa như vậy làm giảm nguy cơ dụng cụ điện cầm tay khởi động bất ngờ.
- ▶ **Cắt giữ dụng cụ điện cầm tay không dùng tới nơi trẻ em không lấy được và không cho người chưa từng biết dụng cụ điện cầm tay hay các hướng dẫn này sử dụng dụng cụ điện cầm tay.** Dụng cụ điện cầm tay nguy hiểm khi ở trong tay người chưa được chỉ cách sử dụng.
- ▶ **Bảo quản dụng cụ điện cầm tay. Kiểm tra xem các bộ phận chuyển động có bị sai lệch hay kẹt, các bộ phận bị rạn nứt và các tình trạng khác có thể ảnh hưởng đến sự vận hành của máy. Nếu bị hư hỏng, phải sửa chữa máy trước khi sử dụng.** Nhiều tai nạn xảy ra do bảo quản dụng cụ điện cầm tay tồi.
- ▶ **Giữ các dụng cụ cắt bén và sạch.** Bảo quản đúng cách các dụng cụ cắt có cạnh cắt bén làm giảm khả năng bị kẹt và dễ điều khiển hơn.
- ▶ **Sử dụng dụng cụ điện cầm tay, phụ kiện, đầu cài v. v., đúng theo các chỉ dẫn này, hãy lưu ý**

đến điều kiện làm việc và công việc phải thực hiện. Sử dụng dụng cụ điện cầm tay khác với mục đích thiết kế có thể tạo nên tình huống nguy hiểm.

Bảo dưỡng

- ▶ **Đưa dụng cụ điện cầm tay của bạn đến thợ chuyên môn để bảo dưỡng, chỉ sử dụng phụ tùng đúng chủng loại để thay.** Điều này sẽ đảm bảo sự an toàn của máy được giữ nguyên.

Các Cảnh Báo An Toàn Cho Khoan Búa

- ▶ **Hãy mang dụng cụ bảo vệ tai.** Đé tai trần tiếp xúc với tiếng ồn có thể làm mất thính giác.
- ▶ **Hãy sử dụng tay nắm phụ, nếu như được giao kèm với dụng cụ.** Sự mất điều khiển có thể gây thương tích cho bản thân.
- ▶ **Nắm giữ dụng cụ điện nơi phần nắm cách điện khi thực hiện việc gia công nơi dụng cụ cắt có thể chạm vào dây điện không nhìn thấy được hay chính dây của máy.** Dụng cụ cắt chạm phải dây có điện có thể làm cho các bộ phận kim loại không được bao bọc có điện và giết người vận hành máy.
- ▶ **Dùng thiết bị dò tìm thích hợp để xác định nếu có các công trình công cộng lắp đặt ngầm trong khu vực làm việc hay liên hệ với Cty công trình Công cộng địa phương để nhờ hỗ trợ.** Dụng cụ chạm đường dẫn điện có thể gây ra hỏa hoạn và điện giật. Làm hư hại đường dẫn khí ga có thể gây nổ. Làm thủng đường dẫn nước gây hư hỏng tài sản hay có khả năng gây ra điện giật.
- ▶ **Khi sử dụng máy, luôn luôn giữ chặt máy bằng cả hai tay và tạo tư thế đứng vững chãi.** Dụng cụ điện cầm tay vận hành an toàn hơn khi dùng cả hai tay.
- ▶ **Kẹp chặt vật gia công.** Vật gia công được kẹp bằng một thiết bị kẹp hay bằng ê-tô thì vững chắc hơn giữ bằng tay.
- ▶ **Luôn luôn đợi cho máy hoàn toàn ngừng hẳn trước khi đặt xuống.** Dụng cụ lắp vào máy có thể bị kẹp chặt dẫn đến việc dụng cụ điện cầm tay bị mất điều khiển.

Mô Tả Sản Phẩm và Đặc Tính Kỹ Thuật



Đọc kỹ mọi cảnh báo an toàn và mọi hướng dẫn. Không tuân thủ mọi cảnh báo và hướng dẫn được liệt kê dưới đây có thể bị điện giật, gây cháy và/hay bị thương tật nghiêm trọng.

36 | Tiếng Việt

Dành sử dụng cho

Máy được thiết kế để đục bê-tông, gạch, công trình nề và nhựa đường cũng như để khoét sâu vào hay đâm nén khi ta sử dụng các phụ kiện tương hợp.

Biểu trưng của sản phẩm

Sự đánh số các biểu trưng của sản phẩm là để tham khảo hình minh họa của máy trên trang hình ảnh.

- 1 Chụp ngăn bụi
- 2 Vòng Khóa
- 3 Nút khoá giữ chế độ tự-chạy của công tắc Tắt/Mở
- 4 Công tắc Tắt/Mở
- 5 Tay nắm (bề mặt nắm cách điện)
- 6 Tay nắm phụ (có bề mặt nắm cách điện)

Phụ tùng được trình bày hay mô tả không phải là một phần của tiêu chuẩn hàng hóa được giao kèm theo sản phẩm. Bạn có thể tham khảo tổng thể các loại phụ tùng, phụ kiện trong chương trình phụ tùng của chúng tôi.

Thông số kỹ thuật

Búa Phá	GSH 5X Plus	
Mã số máy		3 611 C38 2..
Công suất vào danh định	W	1025
Tần suất đập	bpm	2750
Năng lượng va đập của từng hành trình dựa theo Qui Chuẩn-EPTA 05/2009	J	6,8
Phần lắp dụng cụ		17 mm Hex
Bôi Trơn		Sự bôi trơn bằng mỡ
Trọng lượng theo Qui trình EPTA-Procedure 01:2014 (chuẩn EPTA 01:2014)	kg	5,5
Cấp độ bảo vệ		□/II

Các giá trị đã cho có hiệu lực cho điện thế danh định [U] 230 V. Đối với điện thế thấp hơn và các loại máy dành riêng cho một số quốc gia, các giá trị này có thể thay đổi.

Sự lắp vào

- ▶ Trước khi tiến hành bất cứ việc gì trên máy, kéo phích cắm điện nguồn ra.

Tay nắm phụ

- ▶ Chỉ vận hành máy của bạn khi đã gắn tay nắm phụ 6.

Tay nắm phụ 6 có thể chỉnh đặt ở bất cứ vị trí nào mà tạo ra được sự an toàn và tư thế làm việc thoải mái nhất.

- Vận phần thân dưới của tay nắm phụ 6 ngược chiều kim đồng hồ và xoay tay nắm phụ 6 vào vị trí muốn đặt. Sau đó vận chặt phần thân dưới của tay nắm phụ 6 lại theo chiều kim đồng hồ.

Thay Dụng Cụ

Phần lắp dụng cụ sáu cạnh tạo sự tiện lợi và đơn giản cho việc thay dụng cụ ứng dụng mà không cần đến dụng cụ hỗ trợ.

Chụp ngăn bụi 1 hầu như ngăn cản toàn bộ bụi khoan vào trong phần lắp dụng cụ trong lúc vận hành. Khi lắp dụng cụ vào, bảo đảm rằng chụp ngăn bụi 1 không bị làm hư hỏng.

- ▶ **Chụp ngăn bụi bị hư hỏng phải được thay ra ngay lập tức. Chúng tôi khuyến nghị việc thực thế này do một đại lý phục vụ hậu mãi thực hiện.**

Tra Lắp (xem hình A)

- Làm sạch và thoa một lớp mỏng dầu bôi trơn lên chuỗi của dụng cụ.
- Kéo vòng khóa 2 thụt vào và lắp dụng cụ với động tác xoay vào trong phần lắp dụng cụ. Thả vòng khóa 2 ra lại như cũ để khóa dụng cụ lại.
- Kiểm tra xem đã cài chắc chưa bằng cách kéo thử dụng cụ ra.

Thay ra (xem hình B)

- Đẩy vòng khóa xuống 2 và lấy dụng cụ ra.

Hút Dăm/Bụi

- ▶ Mạt bụi từ các vật liệu được sơn phủ ngoài có chứa chì trên một số loại gỗ, khoáng vật và kim loại có thể gây nguy hại đến sức khoẻ con người. Dụng cụ hay hít thở các bụi này có thể làm người sử dụng hay đứng gần bị dị ứng và/hoặc gây nhiễm trùng hệ hô hấp.

Một số mạt bụi cụ thể, ví dụ như bụi gỗ sồi hay dầu, được xem là chất gây ung thư, đặc biệt là có liên quan đến các chất phụ gia dùng xử lý gỗ (chất cromat, chất bảo quản gỗ). Có thể chỉ nên để thợ chuyên môn gia công các loại vật liệu có chứa amiăng.

- Tạo không khí thông thoáng nơi làm việc.
- Khuyến nghị nên mang mặt nạ phòng độc có bộ lọc cấp P2.

Tuân thủ các qui định của quốc gia bạn liên quan đến loại vật liệu gia công.

Vận Hành**Bắt Đầu Vận Hành**

- ▶ Tuân thủ theo đúng điện thế! Điện thế nguồn phải đúng với điện thế đã ghi rõ trên nhãn máy.

Để tiết kiệm năng lượng, chỉ cho dụng cụ điện hoạt động khi sử dụng.

Bật Mở và Tắt

- Để khởi **động máy**, nhấn công tắc **Tắt/Mở 4** và nhấn giữ xuống.
- Để khóa, **nhấn** công tắc **Tắt/Mở 4**, nhấn nút khóa tự-chạy **3** vào.
- Để **tắt máy**, nhả công tắc **Tắt/Mở 4** ra hay khi công tắc đã được khóa bằng nút khóa tự-chạy **3**, nhấn nhanh công tắc **Tắt/Mở 4** và rời nhả ra.

Đối với khi ở nhiệt độ thấp, máy đạt hết công suất đập chỉ sau một thời gian cụ thể. Thời gian khởi động này có thể rút ngắn lại bằng cách động mũi đục đã gắn trong máy xuống sàn nền một lần.

Hướng Dẫn Sử Dụng

- ▶ **Trước khi tiến hành bất cứ việc gì trên máy, kéo phích cắm điện nguồn ra.**

Mài Bén Mũi Đục

Chỉ có các mũi đục sắc bén mới tạo nên kết quả tốt; Vì vậy, hãy mài bén các dụng cụ đục đúng lúc. Việc làm này đảm bảo cho tuổi thọ của dụng cụ được bền và hiệu quả công việc được tốt.

Re-sharpening

Mài bén dụng cụ đục bằng đĩa mài (vd. dùng đĩa corundum gồm nén kết) cùng với nguồn nước cung cấp ổn định. Bảo đảm rằng lưỡi cắt của dụng cụ không đổi màu khi tôi hay trui; sự đổi màu này làm suy yếu độ cứng của dụng cụ đục.

Để **gò**, trui mũi đục ở khoảng giữa 850 và 1050 °C (đỏ rực sang vàng).

Để **tôi cứng**, trui mũi đục ở nhiệt độ vào khoảng 900 °C và nhúng vào dầu nhớt. Sau đó nung trong bếp khoảng một tiếng đồng hồ với nhiệt độ ở 320 °C (màu sắt tôi ủ = xanh trời nhạt).

Bảo Dưỡng và Bảo Quản**Bảo Dưỡng Và Làm Sạch**

- ▶ **Trước khi tiến hành bất cứ việc gì trên máy, kéo phích cắm điện nguồn ra.**
- ▶ **Để được an toàn và máy hoạt động đúng chức năng, luôn luôn giữ máy và các khe thông gió được sạch.**
- ▶ **Chụp ngăn bụi bị hư hỏng phải được thay ra ngay lập tức. Chúng tôi khuyến nghị việc thay thế này do một đại lý phục vụ hậu mãi thực hiện.**

Nếu như cần phải thay dây dẫn điện thì công việc này phải do hãng Bosch, hay một đại lý được Bosch ủy nhiệm thực hiện để tránh gặp sự nguy hiểm do mất an toàn.

Bôi Trơn Dụng Cụ Điện Cầm Tay

Dụng cụ điện được làm trơn bằng mỡ bôi trơn. Sự thay mỡ bôi trơn là cần thiết chỉ trong thời gian bảo trì hay sửa chữa thông qua một đại lý chăm sóc khách hàng dụng cụ điện Bosch ủy nhiệm. Ở đây, điều chủ yếu là nơi đây sử dụng đúng loại mỡ bôi trơn do Bosch chỉ định.

Dịch Vụ Sau Khi Bán và Dịch Vụ Ứng Dụng

Bộ phận phục vụ hàng sau khi bán của chúng tôi sẽ trả lời các câu hỏi liên quan đến việc bảo trì và sửa chữa các sản phẩm cũng như các phụ tùng thay thế của bạn. Hình ảnh chi tiết và thông tin phụ tùng thay thế có thể tìm hiểu theo địa chỉ dưới đây:

www.bosch-pt.com

Bộ phận dịch vụ ứng dụng Bosch sẽ hân hạnh trả lời các câu hỏi liên quan đến các sản phẩm của chúng tôi và linh kiện của chúng.

Trong tất cả các phản hồi và đơn đặt phụ tùng, xin vui lòng luôn luôn nhập số hàng hóa 10 chữ số theo nhãn của hàng hóa.

Việt Nam


CN Cty TNHH Bosch Vietnam tại TP. Ho Chi Minh
Tầng 10, Tòa nhà 194 Golden
473 Điện Biên Phủ
Phường 25, Quận Bình Thạnh
Tp. Hồ Chí Minh
Tel.: (08) 6258 3690
Fax: (08) 6258 3692
Hotline: (08) 6250 8555
www.bosch-pt.com.vn

Campuchia

Công ty TNHH Robert Bosch (Campuchia)
Đơn nguyên 8BC, GT Tower, Tầng 08,
Đường 169, Tiệp Khắc Blvd, Sangkat Veal Vong,
Khan 7 Makara, Phnom Penh
VAT TIN : 100 169 511
Tel.: +855 23 900 685
Tel.: +855 23 900 660
www.bosch.com.kh

Thải bỏ

Máy, linh kiện và bao bì phải được phân loại để tái chế theo hướng thân thiện với môi trường.

 Không được thải bỏ dụng cụ điện vào chung với rác sinh hoạt!

Được quyền thay đổi nội dung mà không phải thông báo trước.

قطر

International Construction Solutions W L L
البريد: 51 الدوحة
قطر
هاتف: +974 40065458
فاكس: +974 4453 8585
البريد الإلكتروني: csd@icsdoha.com

المملكة العربية السعودية

إبراهيم الجفالي وأخوانه للمعدات الفنية
البوادي
شارع المدينة المنورة، كيلو 14
جدة 21431، المملكة العربية السعودية
هاتف: +966 2 667222
فاكس: +966 2 6676308
البريد الإلكتروني: roland@eajb.com.sa

سوريا

شركة الدلال للأدوات الفنية
البريد: 1030
حلب
هاتف: +963 212116083
البريد الإلكتروني: rita.dallal@hotmail.com

تونس

شركة روبرت بوش المحدودة بتونس
7 شارع ابن بطوطة زد. أي. سان جوبان
مقرين الرياض
2014 بن عروس
هاتف: +216 71 427 496/879
فاكس: +216 71 428 621
البريد الإلكتروني: sav.outillage@tn.bosch.com

الإمارات العربية المتحدة

Central Motors & Equipment LLC
البريد: 1984
شارع الوحدة - مبنى السناء
الشارقة
هاتف: +971 6 593 2777
فاكس: +971 6 533 2269
البريد الإلكتروني: powertools@centralmotors.ae

اليمن

مجموعة أبو الرجال التجارية
شارع سناء الزبيرى أمام مبنى البرلمان الجديد
هاتف: +967 1 202010
فاكس: +967 1 279029
البريد الإلكتروني: tech-tools@abualrejal.com

التخلص من العدة الكهربائية

ينبغي التخلص من العدد الكهربائية والتوابع والغلاف بطريقة مناسبة للبيئة عن طريق النفايات القابلة لإعادة التصنيع.

لا ترم العدد الكهربائية في النفايات المنزلية!



نحتفظ بحق إدخال التعديلات.

البحرين

حاتم الجفالي للمعدات الفنية
مملكة البحرين
هاتف: +966 126971777-311
فاكس: +973 17704257
البريد الإلكتروني: h.berjas@eajb.com.sa

مصر

يونيمار
رقم 20 مركز الخدمات
التجمع الاول - القاهرة الجديدة - مصر
هاتف: +2 02 224 76091-95 / +2 02 224 78072-73
فاكس: +2 02 224 78075
البريد الإلكتروني: adelzaki@unimaregypt.com

العراق

مجموعة شركات الصهبا للتكنولوجيا
شارع مطار المثنى
بغداد
هاتف: +964 7901906953
هاتف (دبي): +971 43973851
البريد الإلكتروني: bosch@sahbatechnology.com

الأردن

Roots Arabia - Jordan
شارع ناصر بن جميل
بناية رقم 37 الرابعة
عمّان 11194
هاتف: +962 6 5545778
البريد الإلكتروني: bosch@rootsjordan.com

الكويت

القرين لتجارة السيارات
المنطقة الصناعية شويخ
البريد: 164 - صفت 13002
هاتف: +966 24810844
فاكس: +966 24810879
البريد الإلكتروني: josephkr@aaalmutawa.com

لبنان

Tehini Hana & Co. S. A. R. L.
بريد: 499-90 جديده
دورا بيروت
هاتف: +961 1255211
البريد الإلكتروني: service-pt@tehini-hana.com

المغرب

شركة روبرت بوش المحدودة بالمغرب
53، زنقة الملازم محمد محروس
20300 الدار البيضاء
البريد الإلكتروني: sav.outillage@ma.bosch.com

عمّان

Malatan Trading & Contracting LLC
البريد: 131
سلطنة عمان
هاتف: +968 99886794
البريد الإلكتروني: malatanpowertools@malatan.net

◀ ينبغي استبدال غطاء الوقاية من الغبار التالف فوراً. وينصح أن يتم ذلك من قبل مركز خدمة الزبائن.

تركيب عدة الشغل (تراجع الصورة A)

- نظف طرف التلقيم بعدة الشغل وشممه قليلاً.
- ادفع لبيسة الإقفال 2 إلى الخلف ولقم عدة الشغل في حاضن العدة أثناء فتحها. اطلق لبيسة الإقفال 2 من أجل تثبيت عدة الشغل.
- تفحص ثبات الإقفال من خلال سحب العدة.

فك عدة الشغل (تراجع الصورة B)

- ادفع لبيسة الإقفال 2 إلى الخلف وانزع عدة الشغل.

شفط الغبار/النشارة

◀ إن أغبرة بعض المواد كالطلاء الذي يحتوي على الرصاص، وبعض أنواع الخشب والفلزات والمعادن، قد تكون مضرّة بالصحة. إن ملامسة أو استنشاق الأغبرة قد يؤدي إلى ردود فعل زائدة الحساسية و/أو إلى أمراض المجاري التنفسية لدى المستخدم أو لدى الأشخاص المتواجدين على مقربة من المكان. تعتبر بعض الأغبرة المعينة، كأغبرة البلوط والزبان بأنها مسببة للسرطان، ولا سيما بالاتصال مع المواد الإضافية لمعالجة الخشب (ملح حامض الكروميك، المواد الحافظة للخشب). يجوز أن يتم معالجة المواد التي تنتمي على الأسيستوس من قبل العمال المتخصصين فقط دون غيرهم.

- حافظ على تهوية مكان الشغل بشكل جيد.
- ينصح بارتداء قناع وقاية للتنفس بفتحة المرشح P2.
- تراعى الأحكام السارية في بلدكم بالنسبة للمواد المرغوب معالجتها.

التشغيل

بدء التشغيل

◀ انتبه إلى جهد الشبكة الكهربائية! يجب أن يتطابق جهد منبع التيار مع المعلومات المذكورة على لائحة طراز الجهاز. يمكن أن يتم تشغيل العدد الكهربائية المحددة بـ 230 فولط بـ 220 فولط أيضاً.

شغل العدة الكهربائية فقط عندما تستخدمها، من أجل توفير الطاقة.

التشغيل والإطفاء

- اضغط من أجل تشغيل العدة الكهربائية على مفتاح التشغيل والإطفاء 4 وحافظ على إبقائه مضغوطاً.
- **التثبيت** مفتاح التشغيل والإطفاء 4 وهو في حالة الانضغاط، يضغط زر التثبيت 3.
- من أجل إطفاء العدة الكهربائية يترك مفتاح التشغيل والإطفاء 4 أو إن كان قد تم تثبيته بواسطة مفتاح التثبيت 3 فيضغط مفتاح التشغيل والإطفاء 4 للحظة ثم يترك بعد ذلك.

لا تتوصل العدة الكهربائية إلى قدرة الطرق الكاملة عندما تكون درجات الحرارة منخفضة إلا بعد فترة معينة. يمكنك أن تقصر هذه الفترة التمهيديّة بأن تدق عدة الشغل المركبة بالعدة الكهربائية مرة واحدة بالأرض.

ملاحظات شغل

◀ اسحب القابس من مقبس الشبكة الكهربائية قبل إجراء أي عمل على العدة الكهربائية.

شحذ عدد النحت

يمكن التوصل إلى نتائج جيدة بواسطة عدد النحت المادة فقط، لذا ينبغي شحذ عدد النحت في الوقت المناسب. ويضمن ذلك مدة صلاحية طويلة الأمد ونتائج شغل جيدة.

الشحذ اللامق

قم بشحذ الأزاميل باستخدام أقراص شحذ، مثل أكسيد الألومنيوم البلوري، في ظل إمداد مستمر بالماء. احرص على ألا تظهر ألوان ناتجة عن التلدين على حواف القطع، حيث يؤثر ذلك سلباً في صلابة الأزاميل.

من أجل **طرقه** ينبغي أن تلمي الإزميل إلى حد 850 حتى 1050 درجة مئوية (أحمر فاتح إلى أصفر).

من أجل **تصلبه** ينبغي أن تلمي الإزميل إلى حد 900 درجة مئوية تقريباً وأن تسقيه بالزيت. ثم اتركه بالفرن لمدة ساعة واحدة تقريباً بـ 320 درجة مئوية للتلدين (لون التلدين أزرق فاتح).

الصيانة والخدمة

الصيانة والتنظيف

- ◀ اسحب القابس من مقبس الشبكة الكهربائية قبل إجراء أي عمل على العدة الكهربائية.
- ◀ حافظ دائماً على نظافة العدة الكهربائية وشقوق التهوية للعمل بشكل جيد وآمن.
- ◀ ينبغي استبدال غطاء الوقاية من الغبار التالف فوراً. وينصح أن يتم ذلك من قبل مركز خدمة الزبائن.

إن تطلب الأمر استبدال خط الإمداد، فينبغي أن يتم ذلك من قبل شركة بوش أو من قبل مركز خدمة زبائن وكالة بوش للعدد الكهربائية، لتجنب التعرض للمخاطر.

تشحيم العدة الكهربائية

تم تزليق عدة الشغل بالشحم. يجب أن يتم تغيير شحم التزليق في إطار أعمال الصيانة أو الإصلاح لدى مركز خدمة معتمد لعدد بوش الكهربائية. يجب أثناء ذلك استخدام شحم التزليق المقرر من بوش.

خدمة الزبائن ومشورة الاستخدام

يجيب مركز خدمة الزبائن على أسئلتكم بصد تصليح وصيانة المنتج وأيضاً بما يخص قطع الغيار. يعثر على الرسوم الممددة وعلى المعلومات عن قطع الغيار بموقع:

www.bosch-pt.com

سيكون من دواعي سرور فرقة مشورة الاستخدام بشركة بوش أن تساعدكم بخصوص الأسئلة عن منتجاتنا وتوابعها. يلزم ذكر رقم الصنف ذو الخانات العشر وفقاً للوحة صنع المنتج عند إرسال أية استفسارات أو طلبيات قطع غيار.

الجزائر

سيستال

المنطقة الصناعية احدادن

بجاية 06000

هاتف: 213 (0) 982 400 991/2 +

فاكس: 213 (0) 3 420 1569 +

البريد الإلكتروني: sav@siestal-dz.com

الأجزاء المصورة

يستند ترقيم الأجزاء المصورة إلى رسوم العدة الكهربائية الموجودة في صفحة الرسوم التخطيطية.

- 1 غطاء الوقاية من الغبار
 - 2 لبيسة إقبال
 - 3 زر تثبيت مفتاح التشغيل والإطفاء
 - 4 مفتاح التشغيل والإطفاء
 - 5 مقبض يدوي (سطح القبض معزول)
 - 6 مقبض إضافي (سطح القبض معزول)
- لا يتضمن إطار التوريد الاعتيادي التوابع المصورة أو الموصوفة. يعثر على التوابع الكاملة في برنامجنا للتوابع.

البيانات الفنية

مطرقة دق	GSH 5X Plus	
رقم الصنف	3 611 C38 2..	
القدرة الاسمية المقننة	1025	واط
عدد الطرق	2750	دقيقة ¹⁾
قوة الطريقة المفردة حسب EPTA-Procedure 05/2009	6,8	جول
حاضن العدة	17 مم Hex	
التشحيم	تزييق بالشحم	
الوزن حسب EPTA-Procedure 01:2014	5,5	كغ
فئة الوقاية	II / □	
القيم سارية المفعول لجهد اسمي [U] بمقدار 230 فولط. قد تتفاوت هذه القيم عندما يختلف الجهد عن ذلك أو بطرازات خاصة ببلدان معينة.		

التركيب

- ◀ اسحب القابس من مقبس الشبكة الكهربائية قبل إجراء أي عمل على العدة الكهربائية.

المقبض الإضافي

- ◀ استعمل عدتك الكهربائية فقط مع المقبض الإضافي 6.

يمكنك أن تقوم بأرجحة المقبض الإضافي 6 حسب رغبتك لكي تتوصل إلى موقف عمل آمن وقليل الإجهاد.

- افتل قطعة المقبض السفلية بالمقبض الإضافي 6 بعكس اتجاه حركة عقارب الساعة ودور المقبض الإضافي 6 إلى المركز المرغوب. ثم أعد تدوير قطعة المقبض السفلية بالمقبض الإضافي 6 باتجاه حركة عقارب الساعة بإحكام.

استبدال العدد

مع حاضن العدة Hex يمكنك تغيير عدة الشغل بكل سهولة وراحة دون استخدام عدد إضافية.

يمنع غطاء الوقاية من الغبار 1 بشكل واسع النطاق تسرب غبار التنقيب إلى حاضن العدة أثناء التشغيل. انتبه أثناء تركيب العدة ألا يتم إتلاف غطاء الوقاية من الغبار 1.

◀ حافظ على إبقاء عدد القطع نظيفة وحادة. إن عدد القطع ذات حواف القطع المادة التي تم صيانتها بعناية تتكلم بشكل أقل ويمكن توجيهها بشكل أسير.

◀ استخدم العدد الكهربائية والتوابع وعدد الشغل وإلخ. حسب هذه التعليمات. تراعى أثناء ذلك شروط الشغل والعمل المراد تنفيذها. استخدم العدد الكهربائية لغير الأشغال المخصصة لأجلها قد يؤدي إلى حدوث الحالات الخطيرة.

الخدمة

◀ اسمع بتصليح عدتك الكهربائية فقط من قبل العمال المتخصصين فقط باستعمال قطع الغيار الأصلية. يؤمن ذلك المحافظة على أمان الجهاز.

تعليمات الأمان للمطارق

◀ ارتد واقية سمع. قد يؤدي تأثير الضجيج إلى فقدان قدرة السمع.

◀ استخدم المقابض الإضافية في حالة توريدها مع العدة الكهربائية. إن فقدان التمسك قد يؤدي إلى الإصابة بجروح.

◀ أمسك بالعدة الكهربائية من سطوح القبض المعزولة عند إجراء الأعمال التي من الجائز أن تصيب بها ملحمات القطع الخطوط الكهربائية المخفية أو الكابلات الكهربائي الخاص بالعدة الكهربائية. حيث إن ملامسة لتلحمات القطع لسلك يسري فيه التيار الكهربائي من شأنه أن ينقل الجهد الكهربائي للأجزاء المعدنية المكشوفة بالعدة الكهربائية ويؤدي لحدوث صدمة كهربائية للشغل.

◀ استخدم أجهزة تنقيب ملائمة للعثور على خطوط الامداد المخفية أو استعن بشركة الامداد المحلية. إن ملامسة الخطوط الكهربائية قد يؤدي إلى اندلاع النار وإلى الصدمات الكهربائية. إتلاف خط الغاز قد يؤدي إلى الانفجارات. اختراق خط الماء بشكل الأضرار المادية أو قد يؤدي إلى الصدمات الكهربائية.

◀ اقبض على العدة الكهربائية أثناء الشغل بكلتا اليدين بإحكام وقف بثبات. يتم توجيه العدة الكهربائية بكلتا اليدين بأمان أكبر.

◀ أمن قطعة الشغل. يتم القبض على قطعة الشغل التي تم تثبيتها بواسطة تجهيز شدة أو بواسطة الملزمة بأمان أكبر مما لو تم المسك بها بواسطة يدك.

◀ انتظر إلى أن تتوقف العدة الكهربائية عن الحركة قبل أن تضعها جانباً. قد تتكلم عدة الشغل فتؤدي إلى فقدان السيطرة على العدة الكهربائية.

وصف المنتج والأداء

اقرأ جميع الملاحظات التحذيرية والتعليمات. إن ارتكاب الأخطاء عند تطبيق الملاحظات التحذيرية والتعليمات قد يؤدي إلى الصدمات الكهربائية، إلى نشوب الحرائق و/أو الإصابة بجروح خطيرة.



الاستعمال المخصص

الجهاز مخصص لأعمال النحت في الخرسانة والطوب والحجر والإسفلت كما أنه يصلح للدرس والروض عند تزويدهم بالتوابع المطلوبة.

عربي

تعليمات الأمان

ملاحظات تحذيرية عامة للعدد الكهربائية

⚠ تحذير اقرأ جميع الملاحظات التحذيرية والتعليمات.

إن ارتكاب الأخطاء عند تطبيق الملاحظات التحذيرية والتعليمات قد يؤدي إلى الصدمات الكهربائية، إلى نشوب الحرائق و/أو الإصابة بجروح خطيرة.

احتفظ بجميع الملاحظات التحذيرية والتعليمات للمستقبل.

يقصد بمصطلح "العدة الكهربائية" المستخدم في الملاحظات التحذيرية، العدد الكهربائية الموصولة بالشبكة الكهربائية (بواسطة كابل الشبكة الكهربائية) وأيضاً العدد الكهربائية المزودة بمركم (دون كابل الشبكة الكهربائية).

الأمان بمكان الشغل

حافظ على نظافة وحسن إضاءة مكان شغلك. الفوضى في مكان الشغل ومجالات العمل الغير مضاءة قد تؤدي إلى حدوث الحوادث.

لا تشتغل بالعدة الكهربائية في محيط معرض لخطر الانفجار والذي تتوفر فيه السوائل أو الغازات أو الأبخرة القابلة للاشتعال. العدد الكهربائية تشكل الشر الذي قد يتطاير، فيشعل الأبخرة والأبخرة.

حافظ على بقاء الأطفال وغيرهم من الأشخاص على بعد عندما تستعمل العدد الكهربائية. قد تفقد السيطرة على الجهاز عند التلهي.

الأمان الكهربائي

يجب أن يتلائم قابس وصل العدد الكهربائية مع المقبس. لا يجوز تغيير القابس بأي حال من الأحوال. لا تستعمل القوابس المهايئة مع العدد الكهربائية المؤرصة تأريض وقائي. تخفص القوابس التي لم يتم تغييرها والمقابس الملائمة من خطر الصدمات الكهربائية.

تجنب ملامسة السطوح المؤرصة كالأنابيب ورادياتورات التدفئة والمدافئ أو البرادات بواسطة جسمك. يزداد خطر الصدمات الكهربائية عندما يكون جسمك مؤرض.

ابتعد العدة الكهربائية عن الأمطار أو الرطوبة. يزداد خطر الصدمات الكهربائية إن تسرب الماء إلى داخل العدة الكهربائية.

لا تسيء استعمال الكابل لحمل العدد الكهربائية أو تعليقها أو سحب القابس من المقبس. حافظ على إبعاد الكابل عن الحرارة والزيت والمواف الحادة أو عن أجزاء الجهاز المتحركة. تزيد الكابلات التالفة أو المتشابهة من خطر الصدمات الكهربائية.

استخدم فقط كابلات التمديد الصالحة للاستعمال الخارجي أيضاً عندما تشتغل بالعدة الكهربائية في الغلاء. يخفص استعمال كابل تمديد مخصص للاستعمال الخارجي من خطر الصدمات الكهربائية.

إن لم يكن بالإمكان تجنب تشغيل العدة الكهربائية في الأجواء الرطبة، فاستخدم مفتاح للوقاية من التيار المتخلف. إن استخدام مفتاح للوقاية من التيار المتخلف يقلل خطر الصدمات الكهربائية.

أمان الأشخاص

كن يقظاً وانتبه إلى ما تفعله وقم بالعمل بواسطة العدة الكهربائية بتعقل. لا تستخدم عدة كهربائية عندما تكون متعب أو عندما تكون تحت تأثير المخدرات أو الكحول أو الأدوية. عدم الانتباه للحظة واحدة عند استخدام العدة الكهربائية قد يؤدي إلى إصابات خطيرة.

ارتد عتاد الوقاية الخاص وارتد دائماً نظارات واقية. يحد ارتداء عتاد الوقاية الخاص، كقناع الوقاية من الغبار وأخذية الأمان الواقية من الانزلاق والوخز أو واقية الأذنين، حسب نوع واستعمال العدة الكهربائية، من خطر الإصابة بجروح.

تجنب التشغيل بشكل غير مقصود. تأكد من كون العدة الكهربائية مطفأة قبل وصلها بإمداد التيار الكهربائي و/أو بالمركم، وقبل رفعها أو حملها. إن كنت تضع إصبعك على المفتاح أثناء حمل العدة الكهربائية أو إن وصلت الجهاز بالشبكة الكهربائية عندما يكون قيد التشغيل، فقد يؤدي ذلك إلى حدوث الحوادث.

انزع عدد الضبط أو مفتاح الربط قبل تشغيل العدة الكهربائية. قد تؤدي العدة أو المفتاح المتواجد في جزء دوار من الجهاز إلى الإصابة بجروح.

تجنب أوضاع الجسم الغير طبيعية. قف بأمان وحافظ على توازنك دائماً. سيسمح لك ذلك من السيطرة على الجهاز بشكل أفضل في المواقف الغير متوقعة.

ارتد ثياب مناسبة. لا ترتد الثياب الفضفاضة أو الملبي. حافظ على إبقاء الشعر والثياب والقفازات على بعد عن أجزاء الجهاز المتحركة. قد تتشابك الثياب الفضفاضة والملبي والشعر الطويل بالأجزاء المتحركة.

إن جاز تركيب تجهيزات شفط وتجميع الغبار، فتأكد من أنها موصولة وبأنه يتم استخدامها بشكل سليم. قد يقلل استخدام تجهيزات لشفط الأبخرة من المخاطر الناتجة عن الأبخرة.

حسن معاملة واستخدام العدد الكهربائية

لا تفرط بتحميل الجهاز. استخدم لتنفيذ أشغالك العدة الكهربائية المخصصة لذلك. إنك تعمل بشكل أفضل وأكثر أماناً بواسطة العدة الكهربائية الملائمة في مجال الأداء المذكور.

لا تستخدم العدة الكهربائية إن كان مفتاح تشغيلها تالف. العدة الكهربائية التي لم تعد تسمع بتشغيلها أو بإطفاؤها خطيرة ويجب أن يتم تصليحها.

اسحب القابس من المقبس و/أو انزع المركم قبل ضبط الجهاز وقبل استبدال قطع التوايح أو قبل وضع الجهاز جانباً. تمنع إجراءات الاحتياط هذه تشغيل العدة الكهربائية بشكل غير مقصود.

احتفظ بالعدد الكهربائية التي لا يتم استخدامها بعيداً عن مجال الأطفال. لا تسمح باستخدام العدة الكهربائية لمن لا خبرة له بها أو لمن لم يقرأ تلك التعليمات. العدد الكهربائية خطيرة إن تم استخدامها من قبل أشخاص دون خبرة.

اعتن بالعدة الكهربائية بشكل جيد. تفحص عما إذا كانت أجزاء الجهاز المتحركة تعمل بشكل سليم وبأنها غير متعصبة عن الحركة أو إن كانت هناك أجزاء مكسورة أو تالفة لدرجة تؤثر فيها على حسن أداء العدة الكهربائية. ينبغي تصليح هذه الأجزاء التالفة قبل إعادة تشغيل الجهاز. الكثير من الحوادث مصدرها العدد الكهربائية التي تم صيانتها بشكل رديء.

از رده خارج کردن دستگاه

ابزار برقی، متعلقات و بسته بندی آن، باید طبق مقررات حفظ محیط زیست از رده خارج و بازیافت شوند.

ابزارهای برقی را داخل زباله دان خانگی نیندازید!



حق هرگونه تغییری محفوظ است.

◀ کلاهک محافظت در برابر گرد و غبار را در صورت آسیب دیدن فوراً عوض کنید. توصیه میشود اینکار را توسط تعمیرگاه مجاز (خدمات پس از فروش) انجام دهید.

در صورت نیاز به یک کابل یدکی برای اتصال به شبکه برق، بایستی به شرکت بوش و یا به نمایندگی مجاز بوش (خدمات پس از فروش) برای ابزار آلات برقی بوش مراجعه کنید تا از بروز خطرات ایمنی جلوگیری بعمل آید.

روغن کاری ابزار برقی

ابزار برقی روغنکاری شده است. روغنکاری مجدد تنها در چارچوب سرویس و تعمیر توسط یکی از نمایندگیهای مجاز بوش انجام می گردد. بدین منظور بایستی از روغن (گریس) مخصوص بوش استفاده شود.

خدمات پس از فروش و مشاوره با

مشتریان

دفتر خدمات پس از فروش به سئوالات شما در باره تعمیرات، سرویس و همچنین قطعات یدکی و متعلقات پاسخ خواهد داد. تصاویر و اطلاعات در باره قطعات یدکی و متعلقات را میتوانید در سایت نامبرده زیر جستجو نمایید:

www.bosch-pt.com

تیم مشاور خدمات پس از فروش شرکت بوش با کمال میل به سئوالات شما در باره خرید، طرز استفاده و تنظیم محصولات و متعلقات پاسخ میدهد.

برای هرگونه سؤال و یا سفارش ابزار یدکی و متعلقات، حتماً شماره فنی ده رقمی کالا را مطابق پرچسب روی ابزار برقی اطلاع دهید.

ایران

روبرت بوش - ایران

میدان ونک، خیابان خدای

تقاطع آفتاب، پلاک 3، برج مادیران، طبقه 3

تهران 1994834571

تلفن: +98 21 86092057

به قوانین و مقررات معتبر در کشور خود در رابطه با استفاده از مواد و قطعات کاری توجه کنید.

نصب

◀ پیش از انجام هرگونه کاری بر روی ابزار الکتریکی، دوشاخه اتصال آنرا از داخل پریز برق بیرون بکشید.

طرز کار با دستگاه

دسته کمکی

◀ از ابزار برقی خود فقط همراه با دسته کمکی 6 استفاده کنید.

شما میتوانید بخوبی کار کرده و کمتر خسته شوید. بطوریکه بخش انتهائی جای دست در دسته کمکی 6 را به اندازه دلخواه بچرخانید، جهت حرکت عقربه ساعت چرخانده و دسته کمکی 6 را بطرف جهت مطلوب بچرخانید. سپس بخش انتهائی جای دست در دسته کمکی 6 را با چرخاندن در جهت حرکت عقربه ساعت دوباره محکم کنید.

راه اندازی و نحوه کاربرد دستگاه
 ▶ به ولتاژ برق شبکه توجه کنید! ولتاژ منبع جریان برق باید با مقادیر موجود بر روی برچسب ابزار الکتریکی مطابقت داشته باشد. ابزارهای برقی را که با ولتاژ 230V ولت مشخص شده اند، می توان تحت ولتاژ 220V ولت نیز بکار برد.

جهت صرفه جویی در انرژی، ابزار برقی را فقط وقتی روشن کنید که می خواهید از آن استفاده کنید.

نحوه روشن و خاموش کردن

- برای روشن کردن ابزار برقی، کلید قطع و وصل 4 را فشار داده و آنرا در حالت فشرده نگهدارید.
 - برای قفل و تثبیت کلید قطع و وصل 4 در حالی که به داخل فشرده باشد، دکمه تثبیت 3 را فشار دهید.
 - برای خاموش کردن ابزار برقی، کلید قطع و وصل 4 را رها کنید و اگر کلید قطع و وصل بوسیله دکمه تثبیت 3 ثابت مانده باشد، کلید قطع و وصل 4 را کمی فشار داده و آنرا دوباره رها کنید.
- این ابزار برقی در درجه های حرارت پایین بعد از مدتی کار به قدرت ضربه زنی کامل میرسد.
 زمان راه افتادن دستگاه را میتوانید کوتاه کنید، به این ترتیب که ابزار روی دستگاه را یک بار به زمین بکوبید.

راهنمایی های عملی

◀ پیش از انجام هرگونه کاری بر روی ابزار الکتریکی، دوشاخه اتصال آنرا از داخل پریز برق بیرون بکشید.

تیز کردن ابزار قلم کاری و تخریب

تنها ابزار تراش و قلم نری تیز نتایج خوبی بدست میدهد. از این رو باید ابزار قلم کاری را به موقع تیز کنید. این باعث افزایش طول عمر ابزار شده و نتیجه کاری خوبی به همراه دارد.

سایش کاری

ابزار قلم کاری را روی صفحه ساب مثلا کوراندوم، زیر جریان آب بسایید. دقت کنید که لبه ها سوخته نباشند، این به سختی ابزار قلم کاری صدمه می زند.
 برای آهنگری ابزار قلم زنی را بین 850 تا 1050 درجه داغ کنید (قرمز کم رنگ تا زرد).
 برای آب دادن ابزار قلم زنی را تا حدود 900 درجه داغ کنید. سپس آنرا در روغن سرد کنید. سپس آنرا در کوره به مدت تقریباً یک ساعت و در حرارت 320 درجه داغ کنید (تغییر رنگ به آبی کمرنگ).

مراقبت و سرویس

مراقبت، تعمیر و تیز کردن دستگاه

- ◀ پیش از انجام هرگونه کاری بر روی ابزار الکتریکی، دوشاخه اتصال آنرا از داخل پریز برق بیرون بکشید.
- ◀ ابزار الکتریکی و شیارهای تهویه آنرا تمیز نگاه دارید، تا ایمنی شما در کار تضمین گردد.

تعویض ابزار

توسط ابزارگیر Hex می توان ابزار را آسان و راحت بدون استفاده از سایر ابزارالات عوض کرد.

کلاسهک ضد غبار 1، از ورود گرد و غبار مته کاری به دهانه ابزارگیر دستگاه هنگام کار جلوگیری میکند. هنگام قرار دادن ابزار در دستگاه دقت کنید که کلاسهک ضد غبار 1 آسیب نبیند.

◀ کلاسهک محافظت در برابر گرد و غبار را در صورت آسیب دیدن فوراً عوض کنید. توصیه میشود اینکار را توسط تعمیرگاه مجاز (خدمات پس از فروش) انجام دهید.

نحوه قرار دادن و جاگذاری ابزار

(رجوع شود به تصویر A)

- انتهای ابزار را برای جاگذاری آن تمیز کرده و قسمت انتهائی آنرا کمی چرب کنید.
- سرپوش قفل 2 را به عقب بکشید و ابزار کار را در حالت چرخان داخل ابزارگیر قرار دهید. سرپوش قفل 2 را مجدداً رها کنید تا ابزار کار قفل شود.
- با کشیدن ابزار از قفل شدن آن مطمئن شوید.

برداشتن ابزار از روی دستگاه (رجوع شود به تصویر B)

- آداپتور (سرپوش) قفل 2 را بطرف عقب کشیده و ابزار روی دستگاه را بردارید.

مکش گرد، براده و تراشه

◀ گرد و غبار موادی مانند رنگ های دارای سرب، بعضی از چوب ها، مواد معدنی و فلزات میتوانند برای سلامتی مضر باشند. دست زدن و یا تنفس کردن گرد و غبار ممکن است باعث بروز آلرژی و یا بیماری مجاری تنفسی شخص استفاده کننده و یا افرادی که در آن نزدیکی میباشند، بشود.

گرد و غبارهای مخصوصی مانند گرد و غبار درخت بلوط و یا درخت راش سرطان زا هستند. بخصوص ترکیب آنها با سایر موادی که برای کار بر روی چوب (کرومات، مواد برای محافظت از چوب) بکار برده میشوند. فقط افراد متخصص مجازند با موادی که دارای آزیست میباشند کار کنند.

- توجیه داشته باشید که محل کار شما از تهویه هوای کافی برخوردار باشد.
- توصیه میشود از ماسک تنفسی ایمنی با درجه فیلتر P2 استفاده کنید.

- ◀ **قطعه کار را محکم کنید.** در صورتیکه قطعه کار به وسیله تجهیزات نگهدارنده و یا بوسیله گیره محکم شده باشد، قطعه کار مطمئن تر نگه داشته میشود، تا اینکه بوسیله دست نگهداشته شود.
- ◀ **قبل از کنار گذاشتن ابزار برقی صبر کنید تا دستگاه بطور کامل از کار و حرکت بایستد.** ابزار و ملحقات دستگاه ممکن است به قطعه کار گیر کرده و کنترل ابزار برقی از دست شما خارج شود.

تشریح دستگاه و عملکرد آن

کلیه دستورات ایمنی و راهنمایی ها را مطالعه کنید. اشتباهات ناشی از عدم رعایت این دستورات ایمنی ممکن است باعث برق گرفتگی، سوختگی و یا سایر جراحت های شدید شود.



موارد استفاده از دستگاه

این ابزار برقی برای قلم کاری (قلم زنی) در بتن، آجر، سنگ و آسفالت مناسب بوده و همچنین با استفاده از ملحقات مناسب برای فرورکندن مواد و متراکم نمائی کردن مناسب است.

اجزاء دستگاه

شماره های اجزاء دستگاه که در تصویر مشاهده میشود، مربوط به شرح ابزار برقی می باشد که تصویر آن در این دفترچه آمده است.

- 1 کلاهک محافظت در برابر گرد و غبار
- 2 آداپتور (سرپوش) قفل
- 3 دکمه قفل و تثبیت کلید قطع و وصل دستگاه
- 4 کلید قطع و وصل
- 5 دسته (با روکش عایق دار)
- 6 دسته کمکی (با روکش عایق دار)

کلیه متعلقاتی که در تصویر و یا در متن آمده است، بطور معمول همراه دستگاه ارائه نمی شود. لطفاً لیست کامل متعلقات را از فهرست برنامه متعلقات اقتباس نمایید.

مشخصات فنی

چکش (تخریب کن) ضربه ای	GSH 5X Plus
شماره فنی	3 611 C38 2..
قدرت ورودی نامی	1025 W
تعداد ضربه	2750 min ⁻¹
قدرت هر ضربه مطابق استاندارد EPTA-Procedure 05/2009	6,8 J
ابزارگیر	17 mm Hex
روغنکاری	روغنکاری
وزن مطابق استاندارد EPTA-Procedure 01:2014	5,5 kg
کلاس ایمنی	II / □

این اطلاعات برای ولتاژ نامی [U] 230V ولت می باشند و در صورت تغییر ولتاژ و یا در کشورهای دیگر می توانند تغییر کنند.

باتری آنرا خارج کنید. رعایت این اقدامات پیشگیری ایمنی از راه افتادن ناخواسته ابزار الکتریکی جلوگیری می کند.

- ◀ **ابزار الکتریکی را در صورت عدم استفاده، از دسترس کودکان دور نگهدارید.** اجازه ندهید که افراد ناوارد و یا اشخاصی که این دفترچه راهنما را نخوانده اند، با این دستگاه کار کنند. قرار گرفتن ابزار الکتریکی در دست افراد ناوارد و بی تجربه خطرناک است.

از ابزار الکتریکی خوب مراقبت کنید. مواظب باشید که قسمت های متحرک دستگاه خوب کار کرده و گیر نکند. همچنین دقت کنید که قطعات ابزار الکتریکی شکسته و یا آسیب دیده نباشند. قطعات آسیب دیده را قبل از شروع به کار تعمیر کنید. علت بسیاری از سوانح کاری، عدم مراقبت کامل از ابزارهای الکتریکی می باشد.

- ◀ **ابزار برش را تیز و تمیز نگهدارید.** ابزار برشی که خوب مراقبت شده و از لبه های تیز برخوردارند، کمتر در قطعه کار گیر کرده و بهتر قابل هدایت می باشند.
- ◀ **ابزارهای الکتریکی، متعلقات، ابزاری که روی دستگاه نصب می شوند و غیره را مطابق دستورات این جزوه راهنما طوری به کار بگیرید که با مدل این دستگاه تناسب داشته باشند.** همچنین به شرایط کاری و نوع کار توجه کنید. کاربرد ابزار برقی برای موارد کاری که برای آن در نظر گرفته نشده است، میتواند شرایط خطرناکی را منجر شود.

سرویس

- ◀ **برای تعمیر ابزار الکتریکی فقط به متخصصین حرفه ای رجوع کرده و از وسایل بدکی اصل استفاده کنید.** این باعث خواهد شد که ایمنی دستگاه شما تضمین گردد.

راهنمایی و نکات ایمنی برای چکش ها

- ◀ **از گوشی ایمنی استفاده کنید.** صدای بلند ممکن است به شنوایی شما آسیب برساند.
- ◀ **در صورت ارسال، از دسته های کمکی (اضافی) استفاده کنید.** از دست دادن کنترل بر ابزار برقی می تواند به کاربر آسیب برساند.
- ◀ **چنانچه بسته به نوع کار خود، امکان تماس متعلقات ابزار با کابل های برق (داخل ساختمان) که قابل رؤیت نیستند و یا کابل خود ابزار برقی وجود داشته باشد، بایستی ابزار برقی را از محل دسته و سطوح عایق دار آن در دست بگیرید.** تماس با سیم و کابلی که هادی جریان برق است، می تواند جریان برق را به بخش های فلزی دستگاه نیز انتقال دهد و باعث برق گرفتگی شود.
- ◀ **برای یافتن لوله ها و سیمهای برق پنهان تأسیسات، از دستگاه های ردیاب مناسب آن استفاده کنید و در صورت نیاز با شرکت های کارهای تأسیسات ساختمان محل تماس بگیرید.** تماس با سیم های برق میتواند باعث آتش سوزی و یا برق گرفتگی شود. آسیب دیدن لوله گاز می تواند باعث ایجاد انفجار شود. سوراخ شدن لوله آب، باعث خسارت و یا برق گرفتگی میشود.

- ◀ **ابزار الکتریکی را هنگام کار، با هر دو دست محکم گرفته و جایگاه مطمئنی برای خود انتخاب کنید.** ابزار برقی را میتوان با دو دست بهتر و مطمئن تر بکار گرفت و آنرا هدایت کرد.

فارسی

راهنمائی های ایمنی

راهنمائی های ایمنی عمومی برای ابزارهای الکتریکی

! هشدار همه دستورات ایمنی و راهنمائی ها را بخوانید. اشتباهات ناشی از عدم رعایت این دستورات ایمنی ممکن است باعث برق گرفتگی، سوختگی و یا سایر جراحات های شدید شود.

همه هشدار های ایمنی و راهنمائی ها را برای آینده خوب نگهداری کنید.

هر جا در این راهنما از «ابزار الکتریکی» صحبت میشود، منظور ابزارهای الکتریکی (با سیم برق) و یا ابزارهای الکتریکی باتری دار (بدون سیم برق) می باشد.

ایمنی محل کار

محل کار خود را تمیز، مرتب و مجهز به نور کافی نگهدارید. محیط کار نامرتب و کم نور میتواند باعث سوانح کاری شود.

با ابزار الکتریکی در محیط هایی که در آن خطر انفجار وجود داشته و حاوی مایعات، گازها و بخارهای محترقه باشد، کار نکنید. ابزار های الکتریکی جرقه هایی ایجاد می کنند که می توانند باعث آتش گرفتن گرد و غبارهای موجود در هوا شوند.

هنگام کار با ابزار الکتریکی، کودکان و سایر افراد را از دستگاه دور نگهدارید. در صورتیکه حواس شما پرت شود، ممکن است کنترل دستگاه از دست شما خارج شود.

ایمنی الکتریکی

دوشاخه ابزار الکتریکی باید با پریز برق تناسب داشته باشد. هیچگونه تغییری در دوشاخه ندهید. مبدل دوشاخه نباید همراه با ابزار الکتریکی دارای اتصال به زمین استفاده شود. دوشاخه های اصل و تغییر داده نشده و پریزهای مناسب، خطر شوک الکتریکی و برق گرفتگی را کم می کنند.

از تماس بدنی با قطعات متصل به سیم اتصال به زمین مانند لوله، شوفاژ، اجاق برقی و یخچال خودداری کنید. در صورت تماس بدنی با سطوح و قطعات دارای اتصال به زمین و همچنین تماس شما با زمین، خطر برق گرفتگی افزایش می یابد.

دستگاه را از باران و رطوبت دور نگهدارید. نفوذ آب به ابزار الکتریکی، خطر شوک الکتریکی را افزایش میدهد.

از سیم دستگاه برای کارهایی چون حمل ابزار الکتریکی، آویزان کردن آن و یا خارج کردن دوشاخه از برق استفاده نکنید. کابل دستگاه را در مقابل حرارت، روغن، لبه های تیز و بخش های متحرک دستگاه دور نگهدارید. کابل های آسیب دیده و یا گره خورده خطر شوک الکتریکی را افزایش میدهند.

در صورتیکه با ابزار الکتریکی در محیط باز کار میکنید، تنها از کابل رابطی استفاده کنید که برای محیط باز نیز مناسب باشد. کابل های رابط مناسب برای محیط باز، خطر برق گرفتگی را کم می کنند.

در صورت لزوم کار با ابزار برقی در محیط و اماکن مرطوب، باید از یک کلید حفاظتی جریان خطا و نشستی زمین (کلید قطع کننده اتصال با زمین) استفاده کنید. استفاده از کلید حفاظتی جریان خطا و نشستی زمین خطر برق گرفتگی را کاهش می دهد.

رعایت ایمنی اشخاص

حواس خود را خوب جمع کنید، به کار خود دقت کنید و با فکر و شوما کامل با ابزار الکتریکی کار کنید. در صورت خستگی و یا در صورتیکه مواد مخدر، الکل و دارو استفاده کرده اید، با ابزار الکتریکی کار نکنید. یک لحظه بی توجهی هنگام کار با ابزار الکتریکی، میتواند جراحت های شدیدی به همراه داشته باشد.

از تجهیزات ایمنی شخصی و از عینک ایمنی همواره استفاده کنید. استفاده از تجهیزات ایمنی مانند ماسک ایمنی، کفش های ایمنی ضد لغزش، کلاه ایمنی و گوشی ایمنی متناسب با نوع کار با ابزار الکتریکی، خطر مجروح شدن را کاهش میدهد.

مواظب باشید که ابزار الکتریکی بطور ناخواسته بکار نیفتد. قبل از وارد کردن دوشاخه دستگاه در پریز برق، اتصال آن به باتری، برداشتن آن و یا حمل دستگاه، باید دقت کنید که ابزار الکتریکی خاموش باشد. در صورتیکه هنگام حمل دستگاه انگشت شما روی دکمه قطع و وصل باشد و یا دستگاه را در حالت روشن به برق بزنید، ممکن است سوانح کاری پیش آید.

قبل از روشن کردن ابزار الکتریکی، باید همه ابزارهای تنظیم کننده و آچار ها را از روی دستگاه بردارید. ابزار و آچارهایی که روی بخش های چرخنده دستگاه قرار دارند، میتوانند باعث ایجاد جراحت شوند.

وضعیت بدن شما باید در حالت عادی قرار داشته باشد. برای کار جای مطمئنی برای خود انتخاب کرده و تعادل خود را همواره حفظ کنید. به این ترتیب می توانید ابزار الکتریکی را در وضعیت های غیر منتظره بهتر تحت کنترل داشته باشید.

لباس مناسب بپوشید. از پوشیدن لباس های گشاد و حمل زینت آلات خودداری کنید. موها، لباس و دستکش ها را از بخش های در حال چرخش دستگاه دور نگهدارید. لباس های گشاد، موی بلند و زینت آلات ممکن است در قسمت های در حال چرخش دستگاه گیر کنند.

در صورتیکه میتوانید وسایل مکش گرد و غبار و یا وسیله جمع کننده گرد و غبار را به دستگاه نصب کنید، باید مطمئن شوید که این وسایل درست نصب و استفاده می شوند. استفاده از وسایل مکش گرد و غبار مصونیت شما را در برابر گرد و غبار زیاد تر میکند.

استفاده صحیح از ابزار الکتریکی و مراقبت از آن

از وارد کردن فشار زیاد روی دستگاه خودداری کنید. برای هر کاری، از ابزار الکتریکی مناسب با آن استفاده کنید. بکار گرفتن ابزار الکتریکی مناسب باعث میشود که بتوانید از توان دستگاه بهتر و با اطمینان بیشتر استفاده کنید.

در صورت ایراد در کلید قطع و وصل ابزار برقی، از دستگاه استفاده نکنید. ابزار الکتریکی که نمی توان آنها را قطع و وصل کرد، خطرناک بوده و باید تعمیر شوند.

قبل از تنظیم ابزار الکتریکی، تعویض متعلقات و یا یکنار گذاشتن آن، دوشاخه را از برق کشیده و یا