

Robert Bosch Power Tools GmbH
70538 Stuttgart
GERMANY

www.bosch-pt.com

1 609 92A 1UC (2013.09) PS / 31 ASIA



1 609 92A 1UC

GSH 11 E Professional

 **BOSCH**

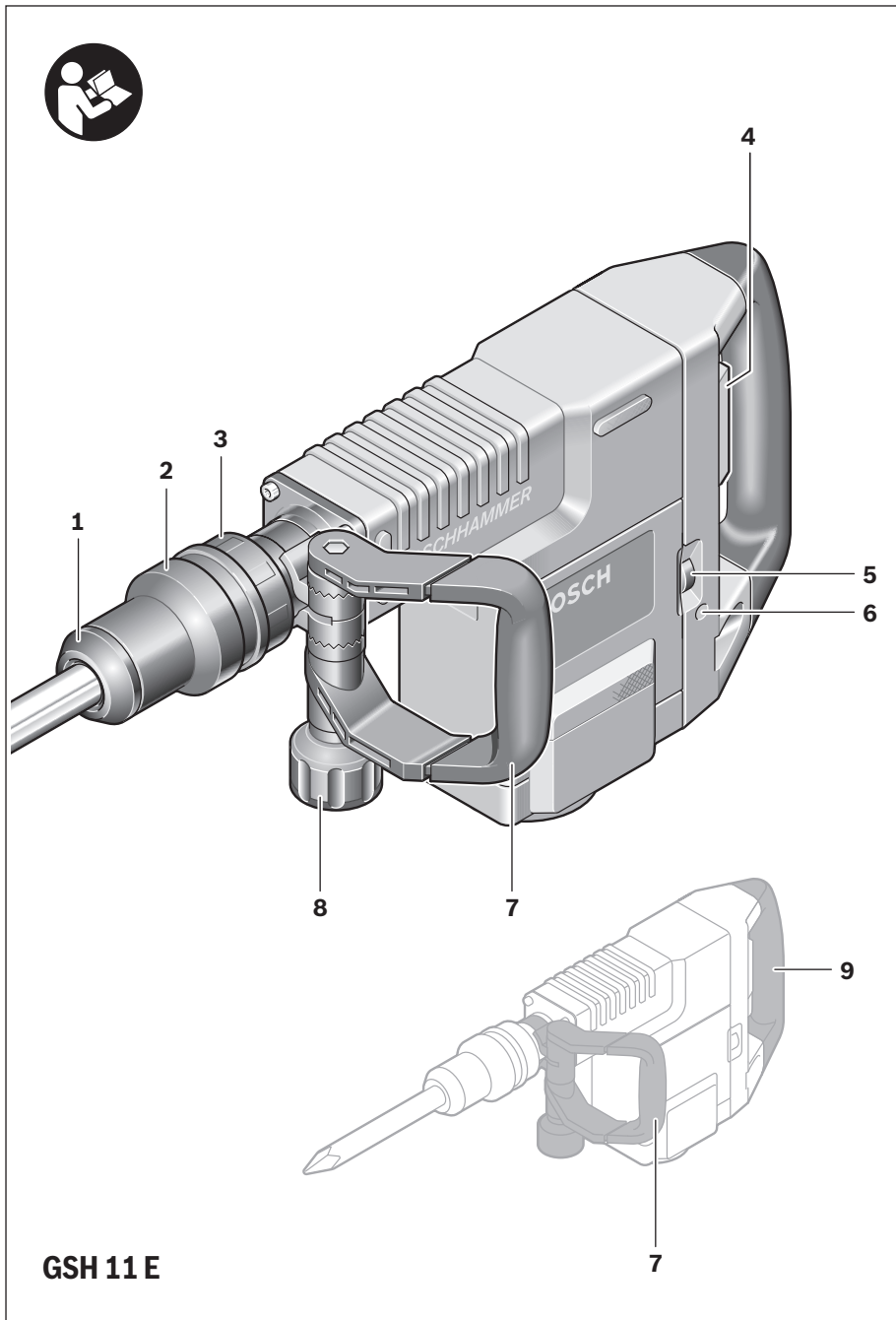
en Original instructions
cn 原始使用说明书
tw 原始使用說明書
ko 사용 설명서 원본
th หนังสือคู่มือการใช้งานฉบับต้นแบบ
id Petunjuk-Petunjuk untuk Penggunaan Orisinal
vi Bản gốc hướng dẫn sử dụng



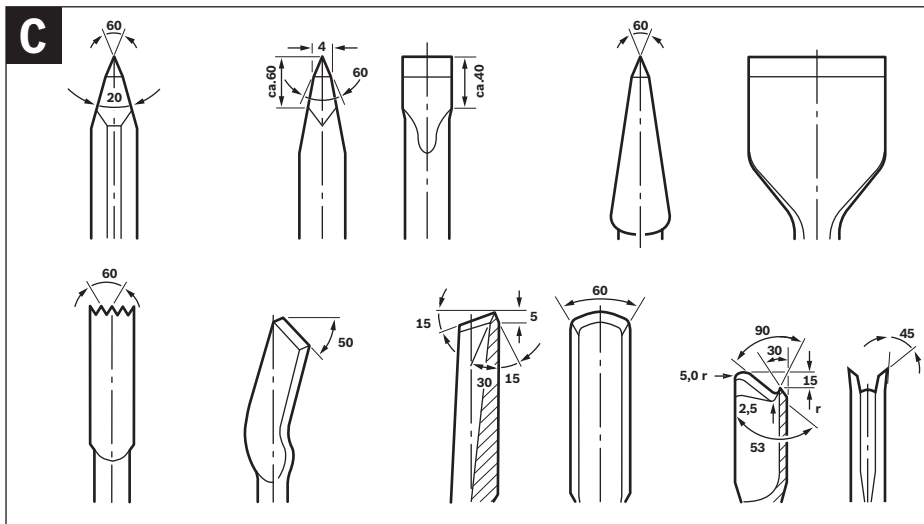
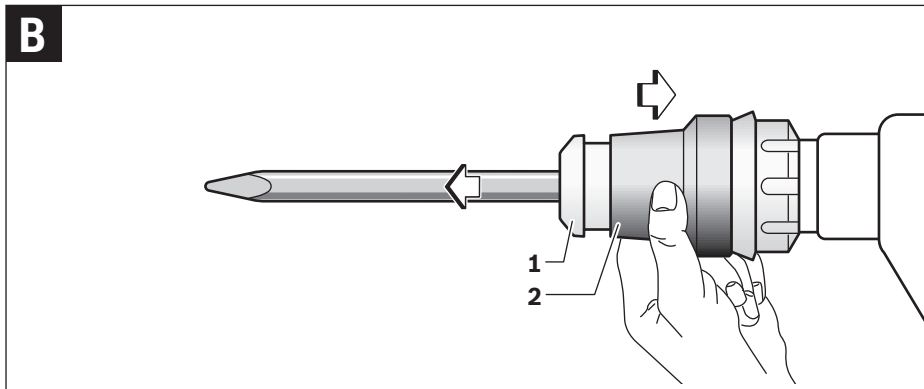
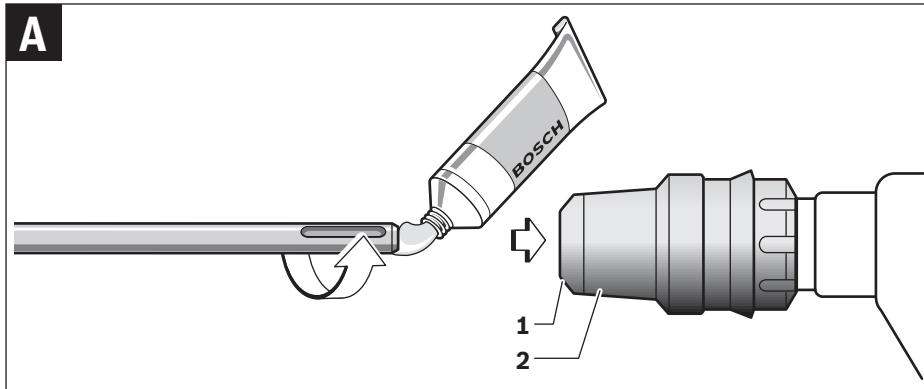


English	Page	5
中文	页	9
中文	頁	12
한국어	페이지	15
ภาษาไทย.....	หน้า	18
Bahasa Indonesia	Halaman	22
Tiếng Việt	Trang	26





GSH 11 E



English

Safety Notes

General Power Tool Safety Warnings

⚠ WARNING Read all safety warnings and all instructions. Failure to follow the warnings and instructions may result in electric shock, fire and/or serious injury.

Save all warnings and instructions for future reference.

The term "power tool" in the warnings refers to your mains-operated (corded) power tool or battery-operated (cordless) power tool.

Work area safety

- ▶ **Keep work area clean and well lit.** Cluttered or dark areas invite accidents.
- ▶ **Do not operate power tools in explosive atmospheres, such as in the presence of flammable liquids, gases or dust.** Power tools create sparks which may ignite the dust or fumes.
- ▶ **Keep children and bystanders away while operating a power tool.** Distractions can cause you to lose control.

Electrical safety

- ▶ **Power tool plugs must match the outlet. Never modify the plug in any way. Do not use any adapter plugs with earthed (grounded) power tools.** Unmodified plugs and matching outlets will reduce risk of electric shock.
- ▶ **Avoid body contact with earthed or grounded surfaces, such as pipes, radiators, ranges and refrigerators.** There is an increased risk of electric shock if your body is earthed or grounded.
- ▶ **Do not expose power tools to rain or wet conditions.** Water entering a power tool will increase the risk of electric shock.
- ▶ **Do not abuse the cord. Never use the cord for carrying, pulling or unplugging the power tool. Keep cord away from heat, oil, sharp edges and moving parts.** Damaged or entangled cords increase the risk of electric shock.
- ▶ **When operating a power tool outdoors, use an extension cord suitable for outdoor use.** Use of a cord suitable for outdoor use reduces the risk of electric shock.
- ▶ **If operating a power tool in a damp location is unavoidable, use a residual current device (RCD) protected supply.** Use of an RCD reduces the risk of electric shock.

Personal safety

- ▶ **Stay alert, watch what you are doing and use common sense when operating a power tool. Do not use a power tool while you are tired or under the influence of drugs, alcohol or medication.** A moment of inattention while operating power tools may result in serious personal injury.
- ▶ **Use personal protective equipment. Always wear eye protection.** Protective equipment such as dust mask, non-skid safety shoes, hard hat, or hearing protection used for appropriate conditions will reduce personal injuries.

- ▶ **Prevent unintentional starting. Ensure the switch is in the off-position before connecting to power source and/or battery pack, picking up or carrying the tool.** Carrying power tools with your finger on the switch or energising power tools that have the switch on invites accidents.
- ▶ **Remove any adjusting key or wrench before turning the power tool on.** A wrench or a key left attached to a rotating part of the power tool may result in personal injury.
- ▶ **Do not overreach. Keep proper footing and balance at all times.** This enables better control of the power tool in unexpected situations.
- ▶ **Dress properly. Do not wear loose clothing or jewellery. Keep your hair, clothing and gloves away from moving parts.** Loose clothes, jewellery or long hair can be caught in moving parts.
- ▶ **If devices are provided for the connection of dust extraction and collection facilities, ensure these are connected and properly used.** Use of dust collection can reduce dust-related hazards.

Power tool use and care

- ▶ **Do not force the power tool. Use the correct power tool for your application.** The correct power tool will do the job better and safer at the rate for which it was designed.
- ▶ **Do not use the power tool if the switch does not turn it on and off.** Any power tool that cannot be controlled with the switch is dangerous and must be repaired.
- ▶ **Disconnect the plug from the power source and/or the battery pack from the power tool before making any adjustments, changing accessories, or storing power tools.** Such preventive safety measures reduce the risk of starting the power tool accidentally.
- ▶ **Store idle power tools out of the reach of children and do not allow persons unfamiliar with the power tool or these instructions to operate the power tool.** Power tools are dangerous in the hands of untrained users.
- ▶ **Maintain power tools. Check for misalignment or binding of moving parts, breakage of parts and any other condition that may affect the power tool's operation. If damaged, have the power tool repaired before use.** Many accidents are caused by poorly maintained power tools.
- ▶ **Keep cutting tools sharp and clean.** Properly maintained cutting tools with sharp cutting edges are less likely to bind and are easier to control.
- ▶ **Use the power tool, accessories and tool bits etc. in accordance with these instructions, taking into account the working conditions and the work to be performed.** Use of the power tool for operations different from those intended could result in a hazardous situation.

Service

- ▶ **Have your power tool serviced by a qualified repair person using only identical replacement parts.** This will ensure that the safety of the power tool is maintained.

6 | English

Hammer Safety Warnings

- ▶ **Wear ear protectors.** Exposure to noise can cause hearing loss.
- ▶ **Use auxiliary handle(s), if supplied with the tool.** Loss of control can cause personal injury.
- ▶ **Hold power tool by insulated gripping surfaces, when performing an operation where the cutting accessory may contact hidden wiring or its own cord.** Cutting accessory contacting a "live" wire may make exposed metal parts of the power tool "live" and could give the operator an electric shock.
- ▶ **Use suitable detectors to determine if utility lines are hidden in the work area or call the local utility company for assistance.** Contact with electric lines can lead to fire and electric shock. Damaging a gas line can lead to explosion. Penetrating a water line causes property damage or may cause an electric shock.
- ▶ **When working with the machine, always hold it firmly with both hands and provide for a secure stance.** The power tool is guided more secure with both hands.
- ▶ **Secure the workpiece.** A workpiece clamped with clamping devices or in a vice is held more secure than by hand.
- ▶ **Always wait until the machine has come to a complete stop before placing it down.** The tool insert can jam and lead to loss of control over the power tool.

Product Description and Specifications

Read all safety warnings and all instructions. Failure to follow the warnings and instructions may result in electric shock, fire and/or serious injury.

While reading the operating instructions, unfold the graphics page for the machine and leave it open.

Intended Use

The machine is intended for chiselling work in concrete, brick, masonry and asphalt as well as for driving in and compacting, when using the respective accessories.

Product Features

The numbering of the product features refers to the illustration of the machine on the graphics page.

- 1 Dust protection cap
- 2 Locking sleeve
- 3 Chisel adjustment ring (Vario-Lock)
- 4 On/Off switch
- 5 Thumbwheel for preselection of impact rate
- 6 Service indicator
- 7 Auxiliary handle (insulated gripping surface)
- 8 Knurled nut for auxiliary handle
- 9 Handle (insulated gripping surface)

Accessories shown or described are not part of the standard delivery scope of the product. A complete overview of accessories can be found in our accessories program.

Technical Data

Demolition Hammer		GSH 11 E
Article number		0 611 316 7..
Rated power input	W	1500
Impact rate	min ⁻¹	900 – 1890
Impact energy per stroke according to EPTA-Procedure 05/2009	J	16.8
Chisel positions		12
Tool holder		SDS-max
Lubrication		Central permanent lubrication
Weight according to EPTA-Procedure 01:2014	kg	10.1
Protection class		□/II

The values given are valid for a nominal voltage [U] of 230 V. For different voltages and models for specific countries, these values can vary.

Assembly**Auxiliary Handle**

- ▶ **Operate your machine only with the auxiliary handle 7.**

The auxiliary handle **7** can be set to any position for a secure and low-fatigue working posture.

Loosen the knurled nut **8**, rotate the auxiliary handle **7** around the axis of the machine to the required position and tighten the knurled nut **8** again.

The auxiliary handle **7** can be mounted to a different position. For this, completely unscrew the knurled nut **8** and then pull out the hexagon bolt upward. Pull off the auxiliary handle **7** to the side and turn around the remaining clamping element by 180°. Mount the auxiliary handle **7** in reverse order.

Changing the Tool

- ▶ **Before any work on the machine itself, pull the mains plug.**

With the SDS-max tool holder, simpler and easier tool changing is possible without additional aids.

The dust protection cap **1** largely prevents the penetration of dust into the tool holder during operation. When inserting the tool, pay attention that the dust protection cap **1** is not damaged.

- ▶ **A damaged dust protection cap should be changed immediately. We recommend having this carried out by an after-sales service.**

Inserting (see figure A)

Clean and lightly grease the shank end of the tool.

Insert the tool in a twisting manner into the tool holder until it latches itself.

Check the latching by pulling the tool.

Removing (see figure B)

Push back the locking sleeve **2** and remove the tool.

Dust/Chip Extraction

- ▶ Dusts from materials such as lead-containing coatings, some wood types, minerals and metal can be harmful to one's health. Touching or breathing-in the dusts can cause allergic reactions and/or lead to respiratory infections of the user or bystanders.

Certain dusts, such as oak or beech dust, are considered as carcinogenic, especially in connection with wood-treatment additives (chromate, wood preservative). Materials containing asbestos may only be worked by specialists.

- Provide for good ventilation of the working place.
- It is recommended to wear a P2 filter-class respirator.

Observe the relevant regulations in your country for the materials to be worked.

Operation

Starting Operation

- ▶ **Observe correct mains voltage! The voltage of the power source must agree with the voltage specified on the nameplate of the machine. Power tools marked with 230 V can also be operated with 220 V.**

Switching On and Off

To **start** the machine, push the On/Off switch **4** to the right.

To **switch off** the machine, push the On/Off switch **4** to the left.

For low temperatures, the machine reaches the full impact rate only after a certain time.

This start-up time can be shortened by striking the chisel in the machine against the floor one time.

To save energy, only switch the power tool on when using it.

Setting the Impact Rate

The electronic control enables stepless speed preselection in accordance with the material to be worked.

The constant electronic control keeps the preselected impact rate nearly constant between no-load and load conditions.

Select the impact rate with the thumbwheel **5** according to the material.

Changing the Chiselling Position (Vario-Lock)

The chisel can be locked in 12 positions. In this manner, the optimum working position can be set for each application.

Insert the chisel into the tool holder.

Push the chisel adjustment ring **3** forward and turn the chisel to the required position with the chisel adjustment ring **3**.

Release the chisel adjustment ring **3** and turn the chisel until it latches.

Working Advice

- ▶ **Before any work on the machine itself, pull the mains plug.**

Sharpening Chisels (see figure C)

Good results are only achieved with sharp chisels; therefore, sharpen the chiselling tools in good time. This ensures a long service life of the tools and good working performance.

Re-sharpening

Sharpen chiselling tools using grinding wheels (e. g. ceramic bonded corundum wheel) with a steady supply of water. Reference values are shown in the figure. Take care that no annealing coloration appears on the cutting edges; this impairs the hardness of the chiselling tools.

For **forging**, heat the chisel to between 850 and 1050 °C (bright red to yellow).

For **hardening**, heat the chisel to approx. 900 °C and quench in oil. Then anneal in an oven for approx. one hour at 320 °C (annealing colour = light blue).

Maintenance and Service

Maintenance and Cleaning

- ▶ **Before any work on the machine itself, pull the mains plug.**
- ▶ **For safe and proper working, always keep the machine and ventilation slots clean.**
- ▶ **A damaged dust protection cap should be changed immediately. We recommend having this carried out by an after-sales service.**

If the replacement of the supply cord is necessary, this has to be done by Bosch or an authorized Bosch service agent in order to avoid a safety hazard.

Service Indicator 6

When the carbon brushes are worn out, the machine switches itself off. This is indicated approx. 8 hours beforehand by the lighting or blinking of the service indicator **6**. The machine must then be sent to an after-sales service agent. Addresses are listed in the Section "After-sales Service and Application Service".

After-sales Service and Application Service

In all correspondence and spare parts order, please always include the 10-digit article number given on the type plate of the machine.

Our after-sales service responds to your questions concerning maintenance and repair of your product as well as spare parts. Exploded views and information on spare parts can also be found under:

www.bosch-pt.com

Bosch's application service team will gladly answer questions concerning our products and their accessories.

People's Republic of China

China Mainland

Bosch Power Tools (China) Co., Ltd.

567, Bin Kang Road

Bin Jiang District 310052

Hangzhou, P. R. China

Service Hotline: 4008268484

Fax: (0571) 87774502

E-Mail: contact.ptcn@cn.bosch.com

www.bosch-pt.com.cn

8 | English

HK and Macau Special Administrative Regions

Robert Bosch Hong Kong Co. Ltd.
21st Floor, 625 King's Road
North Point, Hong Kong
Customer Service Hotline: +852 2101 0235
Fax: +852 2590 9762
E-Mail: info@hk.bosch.com
www.bosch-pt.com.hk

Indonesia

PT. Multi Mayaka
Kawasan Industri Pulogadung
Jalan Rawa Gelam III No. 2
Jakarta 13930
Indonesia
Tel.: (021) 46832522
Fax: (021) 46828645/6823
E-Mail: sales@multimayaka.co.id
www.bosch-pt.co.id

Philippines

Robert Bosch, Inc.
28th Floor Fort Legend Towers,
3rd Avenue corner 31st Street,
Fort Bonifacio Global City,
1634 Taguig City, Philippines
Tel.: (02) 8703871
Fax: (02) 8703870
matheus.contiero@ph.bosch.com
www.bosch-pt.com.ph

Bosch Service Center:
9725-27 Kamagong Street
San Antonio Village
Makati City, Philippines
Tel.: (02) 8999091
Fax: (02) 8976432
rosalie.dagdagan@ph.bosch.com

Malaysia

Robert Bosch (S.E.A.) Sdn. Bhd.
No. 8A, Jalan 13/6
G.P.O. Box 10818
46200 Petaling Jaya
Selangor, Malaysia
Tel.: (03) 79663194
Fax: (03) 79583838
cheehoe.on@my.bosch.com
Toll-Free: 1800 880188
www.bosch-pt.com.my

Thailand

Robert Bosch Ltd.
Liberty Square Building
No. 287, 11 Floor
Silom Road, Bangrak
Bangkok 10500
Tel.: 02 6393111, 02 6393118
Fax: 02 2384783
Robert Bosch Ltd., P. O. Box 2054
Bangkok 10501, Thailand
www.bosch.co.th

Bosch Service – Training Centre
La Salle Tower Ground Floor Unit No.2
10/11 La Salle Moo 16
Srinakharin Road
Bangkaew, Bang Plee
Samutprakarn 10540
Thailand
Tel.: 02 7587555
Fax: 02 7587525

Singapore

Robert Bosch (SEA) Pte. Ltd.
11 Bishan Street 21
Singapore 573943
Tel.: 6571 2772
Fax: 6350 5315
leongheng.leow@sg.bosch.com
Toll-Free: 1800 3338333
www.bosch-pt.com.sg

Vietnam

Robert Bosch Vietnam Co. Ltd
10/F, 194 Golden Building
473 Dien Bien Phu Street
Ward 25, Binh Thanh District
84 Ho Chi Minh City
Vietnam
Tel.: (08) 6258 3690 ext. 413
Fax: (08) 6258 3692
hieu.lagia@vn.bosch.com
www.bosch-pt.com

Australia, New Zealand and Pacific Islands

Robert Bosch Australia Pty. Ltd.
Power Tools
Locked Bag 66
Clayton South VIC 3169
Customer Contact Center
Inside Australia:
Phone: (01300) 307044
Fax: (01300) 307045
Inside New Zealand:
Phone: (0800) 543353
Fax: (0800) 428570
Outside AU and NZ:
Phone: +61 3 95415555
www.bosch.com.au

Disposal

The machine, accessories and packaging should be sorted for environmental-friendly recycling.

Do not dispose of power tools into household waste!

Subject to change without notice.

中文

安全规章

电动工具通用安全警告

警告！ 阅读所有警告和所有说明！不遵照以下警告和说明会导致电击、着火和/或严重伤害。

保存所有警告和说明书以备查阅。

在所有下列的警告中术语“电动工具”指市电驱动（有线）电动工具或电池驱动（无线）电动工具。

工作场地的安全

- ▶ 保持工作场地清洁和明亮。混乱和黑暗的场地会引发事故。
- ▶ 不要在易爆环境，如有易燃液体、气体或粉尘的环境下操作电动工具。电动工具产生的火花会点燃粉尘或气体。
- ▶ 让儿童和旁观者离开后操作电动工具。注意力不集中会使操作者失去对工具的控制。

电气安全

- ▶ 电动工具插头必须与插座相配。绝不能以任何方式改装插头。需接地的电动工具不能使用任何转换插头。未经改装的插头和相配的插座将减少电击危险。
- ▶ 避免人体接触接地表面，如管道、散热片和冰箱。如果你身体接地会增加电击危险。
- ▶ 不得将电动工具暴露在雨中或潮湿环境中。水进入电动工具将增加电击危险。
- ▶ 不得滥用电线。绝不能用电线搬运、拉动电动工具或拔出其插头。使电线远离热源、油、锐边或运动部件。受损或缠绕的软线会增加电击危险。
- ▶ 当在户外使用电动工具时，使用适合户外使用的外接软线。适合户外使用的软线将减少电击危险。
- ▶ 如果在潮湿环境下操作电动工具是不可避免的，应使用剩余电流动作保护器（RCD）。使用 RCD 可减少电击危险。

人身安全

- ▶ 保持警觉，当操作电动工具时关注所从事的操作并保持清醒。当你感到疲倦，或在有药物、酒精或治疗反应时，不要操作电动工具。在操作电动工具时瞬间的疏忽会导致严重人身伤害。
- ▶ 使用个人防护装置。始终佩戴护目镜。安全装置，诸如适当条件下使用防尘面具、防滑安全鞋、安全帽、听力防护等装置能减少人身伤害。
- ▶ 防止意外起动。确保开关在连接电源和/或电池盒、拿起或搬运工具时处于关断位置。手指放在已

接通电源的开关上或开关处于接通时插入插头可能会导致危险。

- ▶ 在电动工具接通之前，拿掉所有调节钥匙或扳手。遗留在电动工具旋转零件上的扳手或钥匙会导致人身伤害。
- ▶ 手不要伸展得太长。时刻注意立足点和身体平衡。这样在意外情况下能很好地控制电动工具。
- ▶ 着装适当。不要穿宽松衣服或佩戴饰品。让衣服、手套和头发远离运动部件。宽松衣服、佩饰或长发可能会卷入运动部件中。
- ▶ 如果提供了与排屑、集尘设备连接用的装置，要确保他们连接完好且使用得当。使用这些装置可减少尘屑引起的危险。

电动工具使用和注意事项

- ▶ 不要滥用电动工具，根据用途使用适当的电动工具。选用适当设计的电动工具会使你工作更有效、更安全。
- ▶ 如果开关不能接通或关断工具电源，则不能使用该电动工具。不能用开关来控制的电动工具是危险的且必须进行修理。
- ▶ 在进行任何调节、更换附件或贮存电动工具之前，必须从电源上拔掉插头和/或使电池盒与工具脱离。这种防护性措施将减少工具意外起动的危险。
- ▶ 将闲置不用的电动工具贮存在儿童所及范围之外，并且不要让不熟悉电动工具或对这些说明不了解的人操作电动工具。电动工具在未经培训的用户手中是危险的。
- ▶ 保养电动工具。检查运动件是否调整到位或卡住，检查零件破损情况和影响电动工具运行的其他状况。如有损坏，电动工具应在使用前修理好。许多事故由维护不良的电动工具引发。
- ▶ 保持切削刀具锋利和清洁。保养良好的有锋利切削刃的刀具不易卡住而且容易控制。
- ▶ 按照使用说明书，考虑作业条件和进行的作业来使用电动工具、附件和工具的刀头等。将电动工具用于那些与其用途不符的操作可能会导致危险。

维修

- ▶ 将你的电动工具送交专业维修人员，使用同样的备件进行修理。这样将确保所维修的电动工具的安全性。

锤类工具的安全警告

- ▶ 戴好耳罩。暴露在噪声中会引起听力损伤。
- ▶ 使用随工具提供的辅助手柄。操作失手会引起人身伤害。
- ▶ 在切削附件可能触及暗线或其自身软线之处进行操作时，要通过绝缘握持面来握持工具。切削附件碰到带电导线会使工具外露的金属零件带电从而使操作者受到电击。

10 | 中文

- ▶ **使用合适的侦测装置侦察隐藏的电线，或者向当地的相关单位寻求支援。** 接触电线可能引起火灾并让操作者触电。损坏了瓦斯管会引起爆炸。凿穿水管不仅会造成严重的财物损失，也可能导致触电。
- ▶ **工作时必须用双手握紧电动工具，并且要确保立足稳固。** 使用双手比较能够握稳电动工具。
- ▶ **固定好工件。** 使用固定装置或老虎钳固定工件，会比用手持握工件更牢固。
- ▶ **等待电动工具完全静止后才能够放下机器。** 机器上的工具可能在工作中被夹住，而令您无法控制电动工具。

产品和功率描述



阅读所有的警告提示和指示。如未确实遵循警告提示和指示，可能导致电击、火灾并且 / 或其他的严重伤害。

翻开标示了机器详解图的折叠页。阅读操作指南时必须翻开折叠页参考。

按照规定使用机器

本机器适合在混凝土、砖头、石材和沥青上凿削。安装了合适的附件后，也可以使用机器进行挤压和捣实作业。

插图上的机件

机件的编号和电动工具详解图上的编号一致。

- 1 防尘盖
- 2 锁定套筒
- 3 凿头位置设定环 (Vario-Lock)
- 4 起停开关
- 5 设定冲击次数的指拨开关
- 6 维修指示灯
- 7 辅助手柄 (绝缘握柄)
- 8 针对辅助手柄的滚轮螺母
- 9 手柄 (绝缘握柄)

图表或说明上提到的附件，并不包含在基本的供货范围中。本公司的附件清单中有完整的附件供应项目。

技术数据

电镐		GSH 11 E
物品代码		0 611 316 7..
额定输入功率	瓦	1500
冲击次数	次 / 分	900 - 1890
单一冲击强度符合 EPTA-Procedure 05/2009 的规定	焦耳	16.8
凿头位置		12
工具夹头		SDS-max
润滑		中央控制的持续润滑
重量符合 EPTA-Procedure 01.2014	公斤	10.1
绝缘等级		□/II

本说明书提供的参数是以 230 V 为依据，于低电压地区，此数据有可能不同。

安装

辅助手柄

- ▶ **操作电动工具时务必使用辅助手柄 7。**

您可以根据需要改变辅助手柄 7 的位置，以提高工作安全和增加工作的舒适性。

放鬆滚轮螺母 8，把辅助手柄 7 转动到工作需要的位置，再度收紧滚轮螺母 8。

您也可以改装辅助手柄 7。此时必须先取出滚轮螺母 8，接著再向上拉出六角螺丝。从侧面拉出辅助手柄 7，再把留在机器上的固定部件旋转 180 度。以反步骤装回辅助手柄 7。

更换工具

- ▶ **维修电动工具或换装零、配件之前，务必从插座上拔出插头。**

使用 SDS-max 夹头，能够简便地更换凿具，无需借助其它的安装工具。

防尘盖 1 可以防止工作时废尘侵入工具夹头中。安装工具时要小心，勿损坏防尘盖 1。

- ▶ **如果防尘盖损坏了必须马上更换。最好委托本公司的顾客服务处换装。**

安装工具 (参考插图 A)

清洁工具柄並在柄上塗少许润滑脂。

把工具转入工具夹头中，至工具自动锁牢为止。

抽拉工具以确定它是否正确锁紧了。

拆卸工具 (参考插图 B)

向后推移锁定套筒 2 並取出工具。

吸锯尘 / 吸锯屑

▶ 含铅的颜料以及某些木材、矿物和金属的加工废尘有害健康。机器操作者或者工地附近的人如果接触、吸入这些废尘，可能会有过敏反应或者感染呼吸道疾病。

某些尘埃（例如加工橡木或山毛榉的废尘）可能致癌，特别是和处理木材的添加剂（例如木材的防腐剂等）结合之后。只有经过专业培训的人才能够加工含石棉的物料。

- 工作场所要保持空气流通。
- 最好佩戴 P2 滤网等级的口罩。

请留心并遵守贵国和加工物料有关的法规。

操作

操作机器

▶ **注意电源的电压！**电源的电压必须和电动工具铭牌上标示的电压一致。

开动 / 关闭

向右推动起停开关 4 即可 **开动** 电动工具。

朝左拨移起停开关 4 来 **关闭** 电动工具。

在低温的工作环境中，必须经过短暂的暖机，电动工具才能够发挥最大的冲击功率。

把安装在电动工具上的凿头轻撞地面，可缩短暖机的起动时间。

为了节约能源，只在当您使用机器时，才开动电动工具。

调整冲击次数

借助电子调节装置，操作者能够根据加工物料，无级式调整冲击次数。

恒定电子装置让冲击次数在无载运作和负载运作时都能够保持恒定。

根据加工物料使用指拨开关 5 设定合适的冲击次数。

改变凿头位置 (Vario-Lock)

凿头有 12 个不同的锁定位置。如此可确保最佳的工作姿势。

把凿头装入工具夹头中。

前推凿头位置设定环 3，转动凿头位置设定环 3 以便将凿头带动到需要的位置。

放开凿头位置设定环 3，旋转凿头至凿头卡牢为止。

有关操作方式的指点

▶ **维修电动工具或换装零、配件之前，务必从插座上拔出插头。**

磨利凿具 (参考插图 C)

使用锋利的凿具才能够达到好的工作效果，务必及时研磨凿具，如此才能够延长凿具的使用寿命，加强工作效果。

补磨

在磨片（例如白刚玉）上研磨凿具，并使用均匀的水流冲刷。插图上有相关的参考值。注意，刀刃上不可以出现回火色；如此会影响凿具的硬度。

锻造，先将凿头加热至摄氏 850 度与 1050 度之间（淡红至黄色）。

硬化 过程，先把凿头加热至摄氏 900 度，再将凿头放入油中淬火，紧接着把凿头放入火炉中以摄氏 320 度回火一个小时（回火色为淡蓝）。

维修和服务

维修和清洁

▶ **维修电动工具或换装零、配件之前，务必从插座上拔出插头。**

▶ **电动工具和通风间隙都必须保持清洁，这样才能够提高工作品质和安全性。**

▶ **如果防尘盖损坏了必须马上更换。最好委托本公司的顾客服务处换装。**

如果必须更换连接线，务必把这项工作交给博世或者经授权的博世电动工具顾客服务执行，以避免危害机器的安全性能。

维修指示灯 6

如果碳刷耗尽了，电动工具会自动关闭。在碳刷即将用尽前 8 个小时，维修指示灯 6 会亮起或闪烁。此时必须把电动工具交给博世顾客服务处维修。顾客服务处的地址请参阅“顾客服务处和顾客咨询中心”。

顾客服务处和顾客咨询中心

询问和订购备件时，务必提供机器铭牌上标示的 10 位数物品代码。

本公司顾客服务处负责回答有关本公司产品的修理、维护和备件的问题。以下的网页中有爆炸图和备件的资料：

www.bosch-pt.com

博世顾客咨询团队非常乐意为您解答有关本公司产品及附件的问题。

有关保证，维修或更换零件事宜，请向合格的经销商查询。

12 | 中文

中国大陆

博世电动工具（中国）有限公司
 中国 浙江省 杭州市
 滨江区滨康路 567 号
 邮政编码：310052
 免费服务热线：4008268484
 传真：(0571) 87774502
 电邮：contact_ptcn@cn.bosch.com
 www.bosch-pt.com.cn

羅伯特·博世有限公司
 香港北角英皇道 625 號 21 樓
 客戶服務熱線：+852 2101 0235
 傳真：+852 2590 9762
 電郵：info@hk.bosch.com
 網站：www.bosch-pt.com.hk

制造商地址：Robert Bosch Power Tools GmbH
 羅伯特·博世电动工具有限公司
 70538 Stuttgart / GERMANY
 70538 斯图加特 / 德国

处理废弃物

必须以符合环保的方式，回收再利用损坏的机器、附件和废弃的包装材料。

不可以把电动工具丢入家庭垃圾中！

保留修改权。**中文****安全規章****電動工具通用安全警告**

警告 閱讀所有警告和所有說明。不遵照以下警告和說明會導致電擊、著火和/或嚴重傷害。

保存所有警告和說明書以備查閱。

在所有下列的警告中術語“電動工具”指市電驅動（有線）電動工具或電池驅動（無線）電動工具。

工作場地的安全

- ▶ 保持工作場地清潔和明亮。混亂和黑暗的場地會引發事故。
- ▶ 不要在易爆環境，如有易燃液體、氣體或粉塵的環境下操作電動工具。電動工具產生的火花會點燃粉塵或氣體。
- ▶ 讓兒童和旁觀者離開後操作電動工具。注意力不集中會使你失去對工具的控制。

電氣安全

- ▶ 電動工具插頭必須與插座相配。絕不能以任何方式改裝插頭。需接地的電動工具不能使用任何轉換插頭。未經改裝的插頭和相配的插座將減少電擊危險。
- ▶ 避免人體接觸接地表面，如管道、散熱片和冰箱。如果你身體接地會增加電擊危險。
- ▶ 不得將電動工具暴露在雨中或潮濕環境中。水進入電動工具將增加電擊危險。
- ▶ 不得濫用電線。絕不能用電線搬運、拉動電動工具或拔出其插頭。使電線遠離熱源、油、銳邊或運動部件。受損或纏繞的軟線會增加電擊危險。
- ▶ 當在戶外使用電動工具時，使用適合戶外使用的外接軟線。適合戶外使用的軟線，將減少電擊危險。
- ▶ 如果在潮濕環境下操作電動工具是不可避免的，應使用剩餘電流動作保護器（RCD）。使用 RCD 可減小電擊危險。

人身安全

- ▶ 保持警覺，當操作電動工具時關注所從事的操作並保持清醒。當你感到疲倦，或在有藥物、酒精或治療反應時，不要操作電動工具。在操作電動工具時瞬間的疏忽會導致嚴重人身傷害。
 - ▶ 使用個人防護裝置。始終佩戴護目鏡。安全裝置，諸如適當條件下使用防塵面具、防滑安全鞋、安全帽、聽力防護等裝置能減少人身傷害。
 - ▶ 防止意外起動。確保開關在連接電源和/或電池盒、拿起或搬運工具時處於關斷位置。手指放在已接通電源的開關上或開關處於接通時插入插頭可能會導致危險。
 - ▶ 在電動工具接通之前，拿掉所有調節鑰匙或扳手。遺留在電動工具旋轉零件上的扳手或鑰匙會導致人身傷害。
 - ▶ 手不要伸展得太長。時刻注意立足點和身體平衡。這樣在意外情況下能很好地控制電動工具。
 - ▶ 著裝適當。不要穿寬鬆衣服或佩戴飾品。讓你的衣服、手套和頭髮遠離運動部件。寬鬆衣服、佩飾或長髮可能會捲入運動部件中。
 - ▶ 如果提供了與排屑、集塵設備連接用的裝置，要確保他們連接完好且使用得當。使用這些裝置可減少塵屑引起的危險。
- 電動工具使用和注意事項**
- ▶ 不要濫用電動工具，根據用途使用適當的電動工具。選用適當設計的電動工具會使你工作更有效、更安全。
 - ▶ 如果開關不能接通或關斷工具電源，則不能使用該電動工具。不能用開關來控制的電動工具是危險的且必須進行修理。

- ▶ 在進行任何調節、更換附件或貯存電動工具之前，必須從電源上拔掉插頭和/或使電池盒與工具脫開。這種防護性措施將減少工具意外起動的危險。
- ▶ 將閒置不用的電動工具貯存在兒童所及範圍之外，並且不要讓不熟悉電動工具或對這些說明不瞭解的人操作電動工具。電動工具在未經培訓的用戶手中是危險的。
- ▶ 保養電動工具。檢查運動件是否調整到位或卡住，檢查零件破損情況和影響電動工具運行的其他狀況。如有損壞，電動工具應在使用前修理好。許多事故由維護不良的電動工具引發。
- ▶ 保持切割刀具鋒利和清潔。保養良好的有鋒利切割刃的刀具不易卡住而且容易控制。
- ▶ 按照使用說明書，考慮作業條件和進行的作業來使用電動工具、附件和工具的刀頭等。將電動工具用於那些與其用途不符的操作可能會導致危險。

檢修

- ▶ 將你的電動工具送交專業維修人員，必須使用同樣的備件進行更換。這樣將確保所維修的電動工具的安全性。

針對電鎚的安全規章

- ▶ 佩戴耳罩。工作噪音會損壞聽力。
- ▶ 如果電動工具提供了輔助手柄便要使用它。操作時失控可能導致傷害。
- ▶ 如果安裝在此裝置上的切割配件可能會在作業期間割到暗藏的電線或自身的電源線，請務必從裝置握把上的絕緣處來握住該裝置。切割配件萬一接觸到帶電導線，可能會連帶使裝置上的金屬部件帶電，進而導致操作者觸電。
- ▶ 使用合適的偵測裝置偵察隱藏的電線，或者向當地的相關單位尋求支援。接觸電線可能引起火災並讓操作者觸電。損壞了瓦斯管會引起爆炸。鑿穿水管不僅會造成嚴重的財物損失，也可能導致觸電。
- ▶ 工作時必須用雙手握緊電動工具，並且要確保立足穩固。使用雙手比較能夠握穩電動工具。
- ▶ 固定好工件。使用固定裝置或老虎鉗固定工件，會比用手持握工件更牢固。
- ▶ 等待電動工具完全靜止後才能夠放下機器。機器上的工具可能在工作中被夾住，而令您無法控制電動工具。

產品和功率描述



閱讀所有的警告提示和指示。如未確實遵循警告提示和指示，可能導致電擊、火災並且/或其他的嚴重傷害。

翻開標示了機器詳解圖的折疊頁。閱讀操作指南時必須翻開折疊頁參考。

按照規定使用機器

本機器適合在混凝土、磚頭、石材和瀝青上鑿削。安裝了合適的附件後，也可以使用機器進行擠壓和搗實作業。

插圖上的機件

機件的編號和電動工具詳解圖上的編號一致。

- 1 防塵蓋
- 2 鎖定套筒
- 3 鑿頭位置設定環 (Vario-Lock)
- 4 起停開關
- 5 設定沖擊次數的指撥開關
- 6 維修指示燈
- 7 輔助手柄 (絕緣握柄)
- 8 針對輔助手柄的滾輪螺母
- 9 手柄 (絕緣握柄)

圖表或說明上提到的附件，並不包含在基本的供貨範圍中。本公司的附件清單中有完整的附件供應項目。

技術性數據

電鎚		GSH 11 E
物品代碼		0 611 316 7..
額定輸入功率	瓦	1500
沖擊次數	次 / 分	900 - 1890
單一衝擊強度符合 EPTA-Procedure 05/2009 的規定	焦耳	16.8
鑿頭位置		12
工具夾頭		SDS-max
潤滑		中央控制的持續潤滑
重量符合 EPTA-Procedure 01:2014	公斤	10.1
絕緣等級		□/II

本說明書提供的參數是以 230 伏特為依據，於低電壓地區，此數據有可能不同。

安裝

輔助手柄

- ▶ 操作電動工具時務必使用輔助手柄 7。

您可以根據需要改變輔助手柄 7 的位置，以提高工作安全和增加工作的舒適性。

放鬆滾輪螺母 8，把輔助手柄 7 轉動到工作需要的位位置，再度收緊滾輪螺母 8。

您也可以改裝輔助手柄 7。此時必須先取出滾輪螺母 8，接著再向上拉出六角螺絲。從側面拉出輔助手柄 7，再把留在機器上的固定部件旋轉 180 度。以反步驟裝回輔助手柄 7。

14 | 中文

更換工具**▶ 維修電動工具或換裝零、配件之前，務必從插座上拔出插頭。**

使用 SDS-max 夾頭，能夠簡便地更換鑿具，無需借助其它的安裝工具。

防塵蓋 1 可以防止工作時粉塵侵入夾頭中。安裝工具時要小心，勿損壞防塵蓋 1。

▶ 如果防塵蓋壞了必須馬上更換。最好委托本公司的顧客服務處換裝。**安裝工具（參考插圖 A）**

清潔工具柄並在柄上塗少許潤滑脂。

把工具轉入工具夾頭中，至工具自動鎖牢為止。

抽拉工具以確定它是否正確鎖緊了。

拆卸工具（參考插圖 B）

向後推移鎖定套筒 2 並取出工具。

吸鋸塵 / 吸鋸屑

▶ 含鉛的顏料以及某些木材、礦物和金屬的加工廢塵有害健康。機器操作者或者工地附近的人如果接觸、吸入這些廢塵，可能會有過敏反應或者感染呼吸道疾病。

某些塵埃（例如加工橡木或山毛櫸的廢塵）可能致癌，特別是和處理木材的添加劑（例如木材的防腐劑等）結合之後。只有經過專業訓練的人才能夠加工含石棉的物料。

- 工作場所要保持空氣流通。
- 最好佩戴 P2 濾網等級的口罩。

請留心並遵守貴國和加工物料有關的法規。

操作**操作機器**

▶ **注意電源的電壓！**電源的電壓必須和電動工具銘牌上標示的電壓一致。

開動 / 關閉

朝右撥移起停開關 4 即可 **開動** 電動工具。

朝左撥移起停開關 4 來 **關閉** 電動工具。

在低溫的工作環境中，必須經過短暫的暖機，電動工具才能夠發揮最大的沖擊功率。

把安裝在電動工具上的鑿頭輕撞地面，可縮短暖機的起動時間。

為了節約能源，只在當您要使用機器時，才開動電動工具。

調整沖擊次數

借助電子調節裝置，操作者能夠根據加工物料，無級式調整沖擊次數。

恆定電子裝置讓沖擊次數在無載運作和負載運作時都能夠保持恆定。

根據加工物料使用指撥開關 5 設定合適的沖擊次數。

改變鑿頭位置（Vario-Lock）

鑿頭有 12 個不同的鎖定位置。如此可確保最佳的工作姿勢。

把鑿頭裝入工具夾頭中。

前推鑿頭位置設定環 3，轉動鑿頭位置設定環 3 以便將鑿頭帶動到需要的位置。

放開鑿頭位置設定環 3，旋轉鑿頭至鑿頭卡牢為止。

有關操作方式的指點

▶ **維修電動工具或換裝零、配件之前，務必從插座上拔出插頭。**

磨利鑿具（參考插圖 C）

使用鋒利的鑿具才能夠達到好的工作效果，務必及時研磨鑿具，如此才能夠延長鑿具的使用壽命，加強工作效果。

補磨

在磨片（例如白剛玉）上研磨鑿具，並使用均勻的水流沖刷。插圖上有相關的參考值。注意，刀刃上不可以出現回火色；如此會影響鑿具的硬度。

鍛造，先將鑿頭加熱至攝氏 850 度與 1050 度之間（淡紅至黃色）。

硬化 過程，先把鑿頭加熱至攝氏 900 度，再將鑿頭放入油中淬火，緊接著把鑿頭放入火爐中以攝氏 320 度回火一個小時（回火色為淡藍）。

維修和服務**維修和清潔**

▶ **維修電動工具或換裝零、配件之前，務必從插座上拔出插頭。**

▶ **電動工具和通風間隙都必須保持清潔，這樣才能夠提高工作品質和安全性。**

▶ **如果防塵蓋壞了必須馬上更換。最好委托本公司的顧客服務處換裝。**

如果必須更換連接線，務必把這項工作交給博世或者經授權的博世電動工具顧客服務執行，以避免危害機器的安全性能。

維修指示燈 6

如果碳刷耗盡了，電動工具會自動關閉。在碳刷即將用盡前 8 個小時，維修指示燈 6 會亮起或閃爍。此時必須把電動工具交給博世顧客服務處維修。顧客服務處的地址請參閱 "顧客服務處和顧客諮詢中心"。

顧客服務處和顧客諮詢中心

詢問和訂購備件時，務必提供機器銘牌上標示的 10 位數物品代碼。

本公司顧客服務處負責回答有關本公司產品的修理、維護和備件的問題。以下的網頁中有爆炸圖和備件的資料：

www.bosch-pt.com

博世顧客諮詢團隊非常樂意為您解答有關本公司產品及附件的問題。

台灣

台灣羅伯特博世股份有限公司

建國北路一段 90 號 6 樓

台北市 10491

電話：(02) 2515 5388

傳真：(02) 2516 1176

www.bosch-pt.com.tw

製造商地址：

Robert Bosch Power Tools GmbH

羅伯特·博世電動工具有限公司

70538 Stuttgart / GERMANY

70538 斯圖加特 / 德國

處理廢棄物

必須以符合環保的方式，回收再利用損壞的機器、附件和廢棄的包裝材料。

不可以把電動工具丟入家庭垃圾中。

保留修改權。

한국어

안전 수칙

전동공구용 일반 안전수칙

⚠ 경고 모든 안전수칙과 지시 사항을 상세히 읽고 지켜야 합니다. 다음의 안전수칙과 지시 사항을 준수하지 않으면 화재 위험이 있으며 감전 혹은 중상을 입을 수 있습니다.

앞으로의 참고를 위해 이 안전수칙과 사용 설명서를 잘 보관하십시오.

다음에서 사용되는 “전동공구” 라는 개념은 전원에 연결하여 사용하는 전동 기기(전선이 있는)나 배터리를 사용하는 전동 기기(전선이 없는)를 의미합니다.

작업장 안전

▶ 작업장을 항상 깨끗이 하고 조명을 밝게 하십시오. 작업장 환경이 어수선하거나 어두우면 사고를 초래할 수 있습니다.

▶ 가연성 유체, 가스 또는 분진이 있어 폭발 위험이 있는 환경에서 전동공구를 사용하지 마십시오. 전동공구는 분진이나 증기에 점화하는 스파크를 일으킬 수 있습니다.

▶ 전동공구를 사용할 때 구경꾼이나 어린이 혹은 다른 사람이 작업장에 접근하지 못하게 하십시오. 다른 사람이 주의를 산만하게 하면 기기에 대한 통제를 잃기 쉽습니다.

전기에 관한 안전

▶ 전동공구의 전원 플러그가 전원 콘센트에 잘 맞아야 합니다. 플러그를 조금이라도 변경시켜서는 안됩니다. 접지된 전동공구를 사용할 때 어댑터 플러그를 사용하지 마십시오. 변형되지 않은 플러그와 잘 맞는 콘센트를 사용하면 감전의 위험을 감소할 수 있습니다.

▶ 파이프 관, 라디에이터, 레인지, 냉장고와 같은 접지 표면에 물이 닿지 않도록 하십시오. 몸에 닿을 경우 감전될 위험이 높습니다.

▶ 전동공구를 비에 맞지 않게 하고 습기 있는 곳에 두지 마십시오. 전동공구에 물이 들어가면 감전될 위험이 높습니다.

▶ 전원 코드를 잡고 전동공구를 운반하거나 걸어 놓아서는 안되며, 콘센트에서 전원 플러그를 뽑을 때 전원 코드를 잡아 당겨서는 절대로 안됩니다. 전원 코드가 열과 오일에 접촉하는 것을 피하고, 날카로운 모서리나 기기의 가동 부위에 닿지 않도록 주의하십시오. 손상되거나 영긴 전원 코드는 감전을 유발할 수 있습니다.

▶ 실외에서 전동공구로 작업할 때는 실외용으로 적당한 연장 전원 코드만을 사용하십시오. 실외용 연장 전원 코드를 사용하면 감전의 위험을 줄일 수 있습니다.

▶ 전동공구를 습기 찬 곳에서 사용해야 할 경우에는 누전 차단기를 사용하십시오. 누전 차단기를 사용하면 감전 위험을 줄일 수 있습니다.

사용자 안전

▶ 신중하게 작업하십시오. 작업을 할 때 주의를 하며, 전동공구를 사용할 때 경솔하게 행동하지 마십시오. 피로한 상태이거나 약물 복용 및 음주한 후에는 전동공구를 사용하지 마십시오. 전동공구를 사용할 때 잠시라도 주위가 산만해지면 중상을 입을 수 있습니다.

▶ 작업자 안전을 위한 장치를 사용하십시오. 항상 보호 안경을 착용하십시오. 전동공구의 종류와 사용에 따라 먼지 보호 마스크, 미끄러지지 않는 안전한 신발, 안전모 또는 귀마개 등의 안전한 복장을 하면 상해의 위험을 줄일 수 있습니다.

▶ 실수로 기기가 작동되지 않도록 주의하십시오. 전동공구를 전원에 연결하거나 배터리를 끼우기 전에, 혹은 기기를 들거나 운반하기 전에, 전원 스위치가 꺼져 있는지 다시 확인하십시오. 전동공구를 운반할 때 전원 스위치에 손가락을 대거나 전원 스위치가 켜진 상태에서 전원을 연결하면 사고 위험이 높습니다.

16 | 한국어

- ▶ **전동공구를 사용하기 전에 조절하는 톨이나 나사 키 등을 빼 놓으십시오.** 회전하는 부위에 있는 톨이나 나사 키로 인해 상처를 입을 수 있습니다.
- ▶ **자신을 과신하지 마십시오.** 불안정한 자세를 피하고 항상 평형을 이룬 상태로 작업하십시오. 안정된 자세와 평형한 상태로 작업해야만이 의외의 상황에서도 전동공구를 안전하게 사용할 수 있습니다.
- ▶ **알맞은 작업복을 입으십시오.** 헐렁한 복장을 하거나 장신구를 착용하지 마십시오. 머리카락 또는 장갑이 가동하는 기기 부위에 가까이 닿지 않도록 주의하십시오. 헐렁한 복장, 장신구 혹은 긴 머리는 가동 부위에 걸려 사고를 초래할 수 있습니다.
- ▶ **분진 추출장치나 수거장치의 조립이 가능한 경우, 이 장치가 연결되어 있는지, 제대로 작동이 되는지 확인하십시오.** 이러한 분진 추출장치를 사용하면 분진으로 인한 사고 위험을 줄일 수 있습니다.

전동공구의 올바른 사용과 취급

- ▶ **기기를 과부하 상태에서 사용하지 마십시오.** 작업할 때 이에 적당한 전동공구를 사용하십시오. 알맞은 전동공구를 사용하면 지정된 성능 한도 내에서 더 효율적으로 안전하게 작업할 수 있습니다.
- ▶ **전원 스위치가 고장 난 전동공구를 사용하지 마십시오.** 전원 스위치가 작동되지 않는 전동공구는 위험하므로, 반드시 수리를 해야 합니다.
- ▶ **기기에 세팅을 하거나 액세서리 부품을 교환하거나 혹은 기기를 보관할 때, 항상 전원 콘센트에서 플러그를 미리 빼어 놓으십시오.** 이러한 조치는 실수로 전동공구가 작동하게 되는 것을 예방합니다.
- ▶ **사용하지 않는 전동공구는 어린이 손이 닿지 않는 곳에 보관하고, 전동공구 사용에 익숙지 않거나 이 사용 설명서를 읽지 않은 사람은 기기를 사용해서는 안 됩니다.** 경험이 없는 사람이 전동공구를 사용하면 위험합니다.
- ▶ **전동공구를 조심스럽게 관리하십시오.** 가동 부위가 하자 없이 정상적인 기능을 하는지, 걸리는 부위가 있는지, 혹은 전동공구의 기능에 중요한 부품이 손상되지 않았는지 확인하십시오. 손상된 기기의 부품은 전동공구를 다시 사용하기 전에 반드시 수리를 맡기십시오. 제대로 관리하지 않은 전동공구의 경우 많은 사고를 유발합니다.
- ▶ **절단 공구를 날카롭고 깨끗하게 관리하십시오.** 날카로운 절단면이 있고 잘 관리된 절단공구는 걸리는 경우가 드물고 조절하기도 쉽습니다.
- ▶ **전동공구, 액세서리, 장착하는 공구 등을 사용할 때, 이 지시 사항과 특별히 기종 별로 나와있는 사용 방법을 준수하십시오.** 이때 작업 조건과 실시하려는 작업 내용을 고려하십시오. 원래 사용 분야가 아닌 다른 작업에 전동공구를 사용할 경우 위험한 상황을 초래할 수 있습니다.

서비스

- ▶ **전동공구 수리는 반드시 전문 인력에게 맡기고, 수리 정비 시 보쉬 순정 부품만을 사용하십시오.** 그렇게 함으로써 기기의 안전성을 오래 유지할 수 있습니다.

해머용 안전 수칙

- ▶ **귀마개를 착용하십시오.** 소음의 영향으로 인해 청각을 상실할 수 있습니다.
- ▶ **보조 손잡이가 전동공구와 함께 공급되는 경우 이를 사용하십시오.** 통제를 잃게 되면 상해를 입을 수 있습니다.
- ▶ **작업할 때 톨날이 보이지 않는 전선이나 기기 자체의 코드에 닿을 위험이 있으면 전동공구의 절연된 손잡이 면을 잡으십시오.** 전류가 흐르는 전선에 접촉하게 되면 기기의 금속 부위에도 전기가 통해 감전될 위험이 있습니다.
- ▶ **보이지 않는 배관 설비를 확인하려면 적당한 탐지기를 사용하거나 담당 에너지 공급회사에 문의하십시오.** 전선에 접촉하게 되면 화재나 전기 충격을 야기할 수 있습니다. 가스관을 손상시키면 폭발 위험이 있습니다. 수도관을 파손하게 되면 재산 피해를 유발하거나 전기 충격을 야기할 수 있습니다.
- ▶ **전동공구를 두 손으로 꼭 잡고 안전한 자세로 작업하십시오.** 전동공구는 두 손으로 사용하면 더 안전합니다.
- ▶ **작업물을 잘 고정하십시오.** 고정장치나 기계 바이스에 끼워서 작업하면 손으로 잡는 것보다 더 안전합니다.
- ▶ **전동공구를 내려놓기 전에 기기가 완전히 멈추는지를 확인하십시오.** 벨트가 걸려 전동공구에 대한 통제가 어려워질 수 있습니다.

제품 및 성능 소개



모든 안전수칙과 지시 사항을 상세히 읽고 지켜야 합니다. 다음의 안전수칙과 지시 사항을 준수하지 않으면 화재 위험이 있으며 감전 혹은 중상을 입을 수 있습니다.

사용 설명서를 읽는 동안 기기의 그림이 나와 있는 접힌 면을 펴 놓고 참고하십시오.

규정에 따른 사용

본 제품은 콘크리트, 기와, 석재, 아스팔트에 치졸작업을 하는 데 사용해야 합니다. 적당한 액세서리를 사용하면 두드리거나 다지는 작업도 가능합니다.

제품의 주요 명칭

제품의 주요 명칭에 표기되어 있는 번호는 기기 그림이 나와있는 면을 참고하십시오.

- 1 먼지 막이 캡
- 2 잠금 슬리브
- 3 치졸 위치 선택장치 (Vario-Lock)
- 4 전원 스위치
- 5 속도 조절 다이얼
- 6 서비스 랩트

- 7 보조 손잡이 (절연된 손잡이 부위)
- 8 보조 손잡이용 널드너트
- 9 손잡이 (절연된 손잡이 부위)

도면이나 설명서에 나와있는 액세서리는 표준 공급부품에 속하지 않습니다. 전체 액세서리는 저희 액세서리 프로그램을 참고하십시오.

제품 사양

파괴 해머		GSH 11 E	
제품 번호		0 611 316 7..	
소비 전력	W	1500	
타격률	min ⁻¹	900 – 1890	
EPTA-Procedure 05/2009 에 따른 스트로크 당 충격 에너지			
	J	16.8	
치출 위치 조정			
		12	
튈 홀더			
		SDS- max	
윤회			
		중심 연속 윤회	
EPTA 공정 01:2014에 따른			
중량	kg	10.1	
안전 등급		□/	

자료는 정격 전압 [U] 230 V를 기준으로 한 것입니다. 전압이 낮거나 각국의 특수한 모델에 따라 달라질 수 있습니다.

조립

보조 손잡이

▶ 반드시 보조 손잡이 7을 장착하여 전동공구를 사용하십시오.

보조 손잡이 7은 안전하고 피로가 적은 자세로 작업할 수 있도록 모든 위치로 움직여 조립할 수 있습니다.

널드 너트 8을 풀고 보조 손잡이 7을 기기 축을 중심으로 하여 원하는 작업 위치로 돌리고 나서, 널드 너트 8을 다시 조입니다.

보조 손잡이 7을 다른 위치에 조립할 수 있습니다. 그렇게 하려면 널드 너트 8을 완전히 풀고 나서 육각 볼트를 위쪽으로 뺍니다. 보조 손잡이 7을 옆으로 잡아 당기고 남은 고정 부위를 180° 각도로 돌립니다. 보조 손잡이 7을 반대 순서로 다시 조립합니다.

액세서리의 교환

▶ 전동공구를 보수 정비하기 전에 반드시 콘센트에서 전원 플러그를 빼십시오.

SDS- max 튈 홀더로 보조 공구없이 쉽고 간편하게 비트를 교환할 수 있습니다.

먼저 보호 캡 1은 작업 중에 먼지가 튈 홀더 안으로 들어가는 것을 방지해 줍니다. 비트 장착 시, 먼저 보호 캡 1이 손상되지 않도록 주의하십시오.

▶ 손상된 먼지 막이 캡은 즉시 교환해야 합니다. 서비스 센터에 의뢰하여 교환하도록 하는 것이 좋습니다.

비트 장착하기 (그림 A 참조)

끼우려는 비트의 끝 부분을 깨끗이 닦고 그리스를 바릅니다.

비트가 저절로 잠길 때까지 튈 홀더에 돌리면서 끼웁니다.

비트를 잡아당겨 보아 제대로 끼워졌는지 확인해 보십시오.

비트 탈착하기 (그림 B 참조)

잠금 슬리브 2를 뒤로 당긴 상태에서 비트를 뺍니다.

분진 및 틈밥 추출장치

▶ 납 성분을 포함한 페인트나 몇몇 나무 종류, 또는 광물 성분 그리고 철과 같은 재료의 분진은 건강을 해칠 수 있습니다. 이 분진을 만지거나 호흡할 경우, 사용자나 주변 사람들은 알레르기 반응이나 호흡기 장애를 일으킬 수 있습니다.

떡갈나무나 너도밤나무와 같은 특정한 분진은 암을 유발시키며, 특히 목재 처리용으로 사용되는 부가 원료 (크로마트, 목재 보호제)와 혼합되면 암을 유발시키게 됩니다. 석면 성분을 포함한 재료는 오직 전문가가 작업을 해야 합니다.

- 작업장의 통풍이 잘 되도록 하십시오.
- 필터등급 P2가 장착된 호흡 마스크를 사용하십시오.

작업용 재료에 관해 국가가 지정한 규정을 고려하십시오.

작동

기계 시동

▶ 공공 배전 전압에 주의! 공급되는 전원의 전압은 전동공구의 명판에 표기된 전압과 동일해야 합니다.

전원 스위치 작동

전동공구를 작동하려면 전원 스위치 4를 오른쪽으로 밀니다.

전동공구의 작동을 중지하려면 전원 스위치 4를 왼쪽으로 밀니다.

저온 환경에서 작업할 경우 전동공구가 완전한 타격 성능을 보일 때까지 시간이 좀 걸립니다.

전동공구에 치출을 삽입한 후 치출을 한번 바닥에 대고 충격을 주면 이 예비 구동 시간을 단축할 수 있습니다.

에너지를 절약하기 위해 전동공구를 사용할 경우에만 스위치를 켜십시오.

타격률 조절하기

전자식 조절 장치가 있어 작업하려는 재료에 적합하게 타격률을 연속적으로 조절할 수 있습니다.

전자식 고정 장치는 선택된 타격률을 무부하 상태와 부하 시에 거의 일정하게 유지합니다.

다이얼 5로 재료에 적당한 타격률을 선택하십시오.

18 | ภาษาไทย

치출 위치 바꾸기 (Vario-Lock)

치출을 12 가지의 다양한 위치로 고정할 수 있어 작업 시 적당한 위치를 선택할 수 있습니다.

치출을 톨 홀더에 끼웁니다.

치출 위치 선택 장치 3을 앞으로 민 상태로 치출 위치 선택 장치 3으로 치출을 원하는 위치가 될 때까지 돌립니다.

치출 위치 선택 장치 3을 놓고 치출이 끼워지는 소리가 날 때까지 돌립니다.

사용방법

▶ 전동공구를 보수 정비하기 전에 반드시 콘센트에서 전원 플러그를 빼십시오.

치출 날 연마하기 (그림 C 참조)

날카로운 치출로 작업해야 좋은 작업 결과를 얻을 수 있으므로 치출을 적당한 시기에 연마해 주어야 합니다. 이렇게 하면 기기의 수명을 연장하고 높은 작업 효율을 보장합니다.

재연마

치출을 금강석과 같은 연마석에 일정하게 물을 공급하며 연마합니다. 이때의 권장 수치는 도면에 나와있습니다. 연마 시 치출날에 열처리 색깔이 나타나지 않게 주의하십시오. 이는 치출의 강도에 지장을 주기 때문입니다.

단조 하려면 치출을 850 에서 1050 ° C 까지 (담홍색에서 노란색까지) 가열하여 날을 만듭니다.

담금질을 하려면 치출을 약 900 ° C 로 가열한 다음 오일에 넣어 급냉시킵니다. 그리고 나서 320 ° C 의 가마에 넣어 (담금질 색깔: 담청색) 약 한 시간 동안 달구어 단단하게 합니다.

보수 정비 및 서비스

보수 정비 및 유지

- ▶ 전동공구를 보수 정비하기 전에 반드시 콘센트에서 전원 플러그를 빼십시오.
- ▶ 안전하고 올바른 작동을 위하여 전동공구와 전동공구의 통풍구를 항상 깨끗이 하십시오.
- ▶ 손상된 먼지 막이 캡은 즉시 교환해야 합니다. 서비스 센터에 의뢰하여 교환하도록 하는 것이 좋습니다. 연결 코드를 교환해야 할 경우 안전을 기하기 위해 보쉬사나 보쉬 지정 전동공구 서비스 센터에 맡겨야 합니다.

서비스 램프 6

카본 브러시가 수명이 다한 경우 전동공구의 작동이 자동으로 중단됩니다. 카본 브러시의 마모되기 약 8 시간 전에 서비스 램프가 켜지거나 깜박이며 이를 예고해 줍니다. 이 경우 전동공구를 고객 서비스 센터에 보내 보수 정비를 해야 합니다. 주소는 "AS 서비스 및 고객 상담" 난을 참고하십시오.

보쉬 AS 및 고객 상담

문의 사항이 있거나 스페어 부품을 주문할 때 반드시 전동공구의 타입 표시판에 적힌 10 자리의 제품 번호를 알려 주십시오.

보쉬는 귀하의 제품 및 수리에 관한 문의를 받고 있습니다.

AS 센터 정보 및 제품에 대한 고객 상담은 하기 고객 콜센터 및 이메일 상담을 이용해주시기 바랍니다.

고객 콜센터 : 080-955-0909

이메일 상담 :

Bosch-pt.hotline@kr.bosch.com

한국로버트보쉬 (주)

경기도 용인시 기흥구 보정동 298 번지

www.bosch-pt.co.kr

처리

기기와 액세서리 및 포장 등은 친환경적인 방법으로 재활용할 수 있도록 분류하십시오.

전동공구를 가정용 쓰레기로 처리하지 마십시오!

위 사항은 사전 예고 없이 변경될 수도 있습니다.

ภาษาไทย

กฎระเบียบเพื่อความปลอดภัย

คำเตือนทั่วไปเพื่อความปลอดภัยในการใช้เครื่องมือไฟฟ้า

⚠ คำเตือน ต้องอ่านคำเตือนเพื่อความปลอดภัยและคำสั่งทั้งหมด การไม่ปฏิบัติตามคำเตือนและคำสั่งอาจเป็นสาเหตุให้ถูกไฟฟ้าดูด เกิดไฟไหม้ และ/หรือได้รับบาดเจ็บอย่างร้ายแรง

เก็บรักษาคำเตือนและคำสั่งทั้งหมดสำหรับเปิดอ่านในภายหลัง

คำว่า "เครื่องมือไฟฟ้า" ในคำเตือนหมายถึง เครื่องมือไฟฟ้าของท่านที่ทำงานด้วยพลังงานไฟฟ้าที่ต่อจากเต้าเสียบ (มีสายไฟฟ้า) และเครื่องมือไฟฟ้าที่ทำงานด้วยพลังงานไฟฟ้าจากแบตเตอรี่ (ไร้สาย)

ความปลอดภัยในสถานที่ทำงาน

- ▶ รักษาสถานที่ทำงานให้สะอาดและมีไฟส่องสว่างดี สถานที่ที่มีมืดหรือรกรุงร่งนำมาซึ่งอุบัติเหตุ
- ▶ อย่าใช้เครื่องมือไฟฟ้าในสภาพแวดล้อมที่เสี่ยงต่อการติดระเบิดได้ เช่น ในที่มีของเหลว แก๊ส หรือฝุ่นที่ติดไฟได้ เมื่อใช้เครื่องมือไฟฟ้าจะเกิดประกายไฟซึ่งอาจจุดฝุ่นหรือไอให้ลุกเป็นไฟได้
- ▶ ขณะใช้เครื่องมือไฟฟ้าทำงาน ต้องกั้นเด็กและผู้ยืนดูให้ออกห่าง การหันเหความสนใจอาจทำให้ท่านขาดการควบคุมเครื่องมือได้

ความปลอดภัยเกี่ยวกับไฟฟ้า

- ▶ ปลั๊กของเครื่องมือไฟฟ้าต้องมีขนาดพอดีกับเต้าเสียบ อย่าตัดแปลงหรือแก้ไขตัวปลั๊กอย่างเด็ดขาด อย่าต่อปลั๊กต่อใดๆ เข้ากับเครื่องมือไฟฟ้าที่มีสายดิน ปลั๊กที่ไม่ตัดแปลงและเต้าเสียบที่เข้ากันช่วยลดความเสี่ยงจากการถูกไฟฟ้าดูด
- ▶ หลีกเลี่ยงไม่ให้ร่างกายสัมผัสกับพื้นผิวของสิ่งของที่ต่อสายดินไว้ เช่น ท่อ เครื่องทำความร้อน เต้า และตู้เย็น จะเสี่ยงอันตรายจากการถูกไฟฟ้าดูดมากขึ้นหากกระแสไฟฟ้าวิ่งผ่านร่างกายของท่านลงดิน
- ▶ อย่าวางเครื่องมือไฟฟ้าตากฝนหรือทิ้งไว้ในที่ชื้นและหากน้ำเข้าในเครื่องมือไฟฟ้า จะเพิ่มความเสี่ยงจากการถูกไฟฟ้าดูด
- ▶ อย่าใช้สายไฟฟ้าอย่างผิดๆ อย่าถือเครื่องมือไฟฟ้าที่สาย อย่าใช้สายแฉวนเครื่อง หรืออย่าดึงสายไฟฟ้าเพื่อถอดปลั๊กออกจากเต้าเสียบ กันสายไฟพาดออกจากความร้อน น้ำมัน ขอบแหลมคม หรือส่วนของเครื่องที่กำลังเคลื่อนไหว สายไฟฟ้าที่ชำรุดหรือพันกันยุ่ง เพิ่มความเสี่ยงจากการถูกไฟฟ้าดูด
- ▶ เมื่อใช้เครื่องมือไฟฟ้าทางมากลางแจ้ง ให้ใช้สายไฟต่อที่ได้รับการรับรองให้ใช้ต่อในที่กลางแจ้งเท่านั้น การใช้สายไฟต่อที่เหมาะสมสำหรับงานกลางแจ้งช่วยลดอันตรายจากการถูกไฟฟ้าดูด
- ▶ หากไม่สามารถหลีกเลี่ยงการใช้เครื่องมือไฟฟ้าทำงานในสถานที่เปียกชื้นได้ ให้ใช้สวิทช์ตัดวงจรเมื่อเกิดการรั่วไหลของไฟฟ้าจากสายดิน การใช้สวิทช์ตัดวงจรเมื่อเกิดการรั่วไหลของไฟฟ้าจากสายดินช่วยลดความเสี่ยงต่อการถูกไฟฟ้าดูด

ความปลอดภัยของบุคคล

- ▶ ท่านต้องอยู่ในสภาพเตรียมพร้อม ระมัดระวัง ในสิ่งที่กำลังทำอยู่ และมีสติขณะใช้เครื่องมือไฟฟ้าทำงาน อย่าใช้เครื่องมือไฟฟ้าขณะที่ท่านกำลังเหนื่อย หรืออยู่ภายใต้การครอบงำของฤทธิ์ของยาเสพติด แอลกอฮอล์ และยา เมื่อใช้เครื่องมือไฟฟ้าทำงาน ในขั้นตอนที่ท่านขาดความเอาใจใส่อาจทำให้บุคคลบาดเจ็บอย่างรุนแรงได้
- ▶ ใช้อุปกรณ์ป้องกันร่างกาย สวมแว่นตาป้องกันเสมอ อุปกรณ์ป้องกัน เช่น หน้ากากกันฝุ่น รองเท้ากันลื่น หมวกกันช้ำ หรือประคบทุกชิ้นเสี่ยงดั่ง ที่เลือกใช้ตามความเหมาะสมกับสภาพการทำงาน สามารถลดอันตรายต่อบุคคลได้
- ▶ ป้องกันการติดเครื่องโดยไม่ตั้งใจ ต้องดูให้แน่ใจว่าสวิทช์อยู่ในตำแหน่งปิดก่อนเสียบปลั๊กไฟเข้าในเต้าเสียบ และ/หรือใส่แท่งเบรคเตอร์ ยักษ์หรือถือเครื่องมือ การถือเครื่องโดยใช้นิ้วหัวที่สวิทช์ หรือเสียบปลั๊กไฟฟาดขณะที่เปิดอยู่ อาจนำไปสู่อุบัติเหตุที่ร้ายแรงได้
- ▶ เอาเครื่องมือปรับแต่งหรือประแจปากตายออกจากเครื่องมือไฟฟ้าก่อนเปิดสวิทช์ เครื่องมือหรือประแจปากตายที่วางอยู่กับส่วนของเครื่องที่กำลังหมุนจะทำให้บุคคลบาดเจ็บได้
- ▶ หลีกเลี่ยงการตั้งท่าที่ผิดปกติ ตั้งท่ายืนที่มั่นคงและวางน้ำหนักให้สมดุลตลอดเวลา ในลักษณะนี้ท่านสามารถควบคุมเครื่องมือไฟฟ้าในสถานการณ์ที่ไม่คาดคิดได้ดีกว่า

- ▶ ใส่เสื้อผ้าที่เหมาะสม อย่าใส่เสื้อผ้าหลวมหรือสวมเครื่องประดับ เอาหมวก เสื้อผ้า และถุงมือออกห่างส่วนของเครื่องที่กำลังหมุน เสื้อผ้าหลวม เครื่องประดับ และผมยาวอาจเข้าไปติดในส่วนของเครื่องที่กำลังหมุนได้
- ▶ หากต้องต่อเครื่องมือไฟฟ้าเข้ากับเครื่องดูดฝุ่นหรือเครื่องเก็บผง ดูให้แน่ใจว่าการเชื่อมต่อและการใช้งานเป็นไปอย่างถูกต้อง การใช้อุปกรณ์ดูดฝุ่นช่วยลดอันตรายที่เกิดจากฝุ่นได้

การใช้และการดูแลรักษาเครื่องมือไฟฟ้า

- ▶ อย่าใช้เครื่องมือไฟฟ้าอย่างหักโหม ใช้เครื่องมือไฟฟ้าที่ถูกต้องตรงตามลักษณะงาน เครื่องมือไฟฟ้าที่ถูกต้องจะทำงานได้ดีกว่าและปลอดภัยกว่าในระดับสมรรถภาพที่ออกแบบไว้
- ▶ อย่าใช้เครื่องมือไฟฟ้าที่สวิทช์เปิดปิดเสีย เครื่องมือไฟฟ้าที่ไม่สามารถควบคุมการเปิดปิดด้วยสวิทช์ได้ เป็นเครื่องมือไฟฟ้าที่ไม่ปลอดภัยและต้องส่งซ่อมแซม
- ▶ ก่อนปรับแต่งเครื่อง เปลี่ยนอุปกรณ์ประกอบ หรือเก็บเครื่องเข้าที่ ต้องถอดปลั๊กไฟออกจากเต้าเสียบและ/หรือถอดแท่งเบรคเตอร์ออกจากเครื่องมือไฟฟ้า มาตรการป้องกันเพื่อความปลอดภัยซึ่งช่วยลดความเสี่ยงจากการติดเครื่องโดยไม่ตั้งใจ
- ▶ เมื่อเลิกใช้งานเครื่องมือไฟฟ้า ให้เก็บเครื่องมือไว้ในที่ที่เด็กหยิบไม่ถึง และไม่อนุญาตให้บุคคลที่ไม่คุ้นเคยกับเครื่องหรือบุคคลที่ไม่ได้อ่านคำแนะนำนี้ใช้เครื่องมือไฟฟ้าเป็นอันตรายหากตกอยู่ในมือของผู้ใช้ที่ไม่ได้รับการฝึกฝน
- ▶ เอาใจใส่ดูแลรักษาเครื่อง ตรวจหาส่วนที่เคลื่อนไหวได้ของเครื่องว่าวางอยู่ตรงแนวหรือติดขัดหรือไม่ ตรวจหาการแตกหักของชิ้นส่วนและสภาพอินไดที่อาจมีผลต่อการทำงานของเครื่องมือไฟฟ้า หากชำรุดต้องส่งเครื่องมือไฟฟ้าซ่อมแซมก่อนใช้งาน อุบัติเหตุหลายอย่างเกิดขึ้นเนื่องจากดูแลรักษาเครื่องไม่ดีพอ
- ▶ รักษาเครื่องมือตัดให้คมและสะอาด หากบำรุงรักษาเครื่องมือที่มีขอบตัดแหลมคมอย่างถูกต้อง จะสามารถตัดได้ลื่นไม่ติดขัดและควบคุมได้ง่ายกว่า
- ▶ ใช้เครื่องมือไฟฟ้า อุปกรณ์ประกอบ เครื่องมือ และอุปกรณ์อื่นๆ ให้ตรงตามคำแนะนำนี้ และในลักษณะตามที่เครื่องมือไฟฟ้าประเภทนั้นๆ กำหนดไว้ โดยต้องคำนึงถึงเงื่อนไขการทำงานและงานที่จะทำด้วย การใช้เครื่องมือไฟฟ้าทำงานที่ต่างไปจากวัตถุประสงค์การใช้ งานของเครื่อง อาจนำไปสู่สถานการณ์ที่เป็นอันตรายได้

การบริการ

- ▶ ส่งเครื่องมือไฟฟ้าให้ช่างผู้เชี่ยวชาญตรวจสอบและใช้ อะไหล่เปลี่ยนของแท้เท่านั้น ในลักษณะนี้ท่านจะแน่ใจได้ว่าเครื่องมือไฟฟ้าอยู่ในสภาพที่ปลอดภัย

คำเตือนเพื่อความปลอดภัยสำหรับส่วนตอก

- ▶ สวมประคบหูป้องกันเสียงดัง การรับฟังเสียงดังอาจทำให้ท่านสูญเสียการได้ยิน
- ▶ หากตามจับเพิ่มจัดส่งมาพร้อมกับเครื่อง ให้ใช้ตามจับเพิ่มร่วมด้วย การสูญเสียการควบคุมอาจทำให้บุคคลบาดเจ็บได้

20 | ภาษาไทย

- ▶ **เมื่อทำงานในบริเวณที่อุปกรณ์ตัดอาจสัมผัสกับสายไฟฟ้าที่ซ่อนอยู่หรือสายไฟฟ้าของเครื่อง ต้องจับเครื่องมือไฟฟ้าตรงด้ามจับที่หุ้มฉนวน** หากอุปกรณ์ตัดสัมผัสกับสายที่มีกระแสไฟฟ้าไหลผ่านจะทำให้ส่วนที่เป็นโลหะของเครื่องมือไฟฟ้าเกิดมีกระแสไฟฟ้าด้วย และส่งผลให้ผู้ใช้เครื่องมือถูกไฟฟ้ากระตุกได้
- ▶ **ใช้เครื่องตรวจที่เหมาะสมตรวจหาท่อ สายไฟฟ้า หรือสายโทรศัพท์ ที่อาจซ่อนอยู่ในบริเวณที่ทำงาน หรือขอความช่วยเหลือจากบริษัทสาธารณูปโภคในท้องถิ่น** การสัมผัสกับสายไฟฟ้าอาจทำให้เกิดไฟไหม้หรือถูกไฟฟ้าดูด การทำให้ท่อแก๊ซเสียหายอาจทำให้เกิดระเบิด การเจาะเข้าในท่อน้ำทำให้ทรัพย์สินเสียหาย หรืออาจเป็นเหตุให้ถูกไฟฟ้าดูดได้
- ▶ **เมื่อใช้เครื่องทำงาน ต้องใช้มือทั้งสองจับเครื่องให้แน่น และตั้งท้ายที่มั่นคงเสมอ** เครื่องมือไฟฟ้าสามารถเคลื่อนมาได้มั่นคงกว่าเมื่อใช้มือทั้งสองข้างจับ
- ▶ **ยึดชิ้นงานให้แน่น** การยึดชิ้นงานด้วยเครื่องมือหนีบหรือแท่นจับจะมั่นคงกว่าการยึดด้วยมือ
- ▶ **ก่อนวางเครื่องลงบนพื้นทุกครั้งต้องรอให้เครื่องหยุดนิ่งอยู่กับที่เสมอ** มิฉะนั้นเครื่องมือที่ใส่อยู่อาจติดขัดและนำไปสู่การสูญเสียการควบคุมเครื่องมือไฟฟ้า

ข้อมูลทางเทคนิค

ส่วนเจาะกระแทก		GSH 11 E	
หมายเลขสินค้า		0 611 316 7..	
กำลังไฟฟ้าเข้ากำหนด	วัตต์	1500	
อัตราการกระแทก	/นาที	900 - 1890	
พลังงานกระแทกต่อครั้งตามระเบียบการ-EPTA-Procedure 05/2009	จูล	16.8	
ตำแหน่งสกัด		12	
ด้ามจับเครื่องมือ		SDS-max	
การหยอดน้ำมันหล่อลื่น		การหยอดน้ำมันหล่อลื่น ถาวรส่วนกลาง	
น้ำหนักตามระเบียบการ-EPTA-Procedure 01:2014	กก.	10.1	
ระดับความปลอดภัย		☐/II	
ค่าที่ใช้ได้กับแรงดันไฟฟ้าระบุ [U] 230 โวลต์		ค่าเหล่านี้อาจผิดเพี้ยนไปสำหรับแรงดันไฟฟ้าที่ผู้ก ำ และโมเดลที่สร้างสำหรับเฉพาะประเทศ	

รายละเอียดผลิตภัณฑ์และข้อมูลจำเพาะ



ต้องอ่านคำเตือนเพื่อความปลอดภัยและคำสั่งทั้งหมด การไม่ปฏิบัติตามคำเตือนและคำสั่งอาจเป็นสาเหตุให้ถูกไฟฟ้าดูด เกิดไฟไหม้ และ/หรือได้รับบาดเจ็บอย่างร้ายแรง

ขณะอ่านคู่มือการใช้งานเครื่อง ให้เปิดหน้าที่แสดงภาพประกอบของเครื่องและเปิดค้างไว้

ประโยชน์การใช้งานของเครื่อง

เครื่องนี้ใช้สำหรับงานสกัดในคอนกรีต อิฐ สิ่งก่อสร้างที่เกิดจากการก่ออิฐ และยางมะตอย และงานหมุนเจาะและอัดให้แน่นโดยต้องใช้อุปกรณ์ประกอบที่ตรงกับลักษณะงาน

ส่วนประกอบผลิตภัณฑ์

ลำดับเลขของส่วนประกอบผลิตภัณฑ์อ้างถึงส่วนประกอบของเครื่องที่แสดงในหน้าภาพประกอบ

- 1 ฝาครอบกันฝุ่น
- 2 ปลอกสำหรับล้อ
- 3 แหวนล็อกปรับดอกสกัด (Vario-Lock)
- 4 สวิตช์เปิด-ปิด
- 5 ปุ่มหมุนสำหรับเลือกอัตราการแตกล่วงหน้า
- 6 ไฟเตือนเข้ารับการบริการ
- 7 ด้ามจับเพิ่ม (พื้นผิวจับหุ้มฉนวน)
- 8 น็อตลูกบิดสำหรับด้ามจับเพิ่ม
- 9 ด้ามจับ (พื้นผิวจับหุ้มฉนวน)

อุปกรณ์ประกอบที่แสดงหรือระบุไม่รวมอยู่ในการจัดส่งมาตรฐาน กรุณาดูอุปกรณ์ประกอบทั้งหมดในรายการแสดงอุปกรณ์ประกอบของเรา

การประกอบ

ด้ามจับเพิ่ม

- ▶ **ให้ใช้เครื่องมือไฟฟ้าพร้อมกับด้ามจับเพิ่ม 7 เสมอ**

ท่านสามารถจับด้ามจับเพิ่ม 7 หนีบไปยังตำแหน่งใดก็ได้ เพื่อจะทำทำงานที่มั่นคงและเหนียวน้อย

คลายน็อตลูกบิด 8 หนีบด้ามจับเพิ่ม 7 รอบแกนของเครื่องไปยังตำแหน่งที่ต้องการ และหมุนน็อตลูกบิด 8 เข้าให้แน่นอีกครั้ง

ด้ามจับเพิ่ม 7 สามารถประกอบเข้ากับตำแหน่งกลับกัน เมื่อต้องการกลับตำแหน่ง ให้ขันน็อตลูกบิด 8 ออกจนสุด จากนั้นจึงดึงสลักเกลียวหกเหลี่ยมออกทางด้านบน ดึงด้ามจับเพิ่ม 7 ออกทางด้านข้าง และหมุนอุปกรณ์หนีบที่เหลือกลับ 180 องศา ประกอบด้ามจับเพิ่ม 7 เข้าตามลำดับย้อนหลัง

การเปลี่ยนเครื่องมือ

- ▶ **ดึงปลั๊กไฟออกจากเต้าเสียบก่อนปรับแต่งเครื่อง**

หัวจับดอก SDS-max ช่วยเปลี่ยนเครื่องมือได้ง่ายและสะดวกขึ้นโดยไม่ต้องใช้ตัวช่วยเพิ่มเติม

ฝาครอบกันฝุ่น 1 ช่วยกันไม่ให้ฝุ่นส่วนใหญ่ปลิวเข้าไปในด้ามจับเครื่องมือในระหว่างทำงาน เมื่อใส่เครื่องมือต้องระมัดระวังอย่าให้ฝาครอบกันฝุ่น 1 ชำรุด

- ▶ **ควรเปลี่ยนฝาครอบกันฝุ่นที่ชำรุดโดยทันที เราขอแนะนำว่า ควรส่งให้ศูนย์บริการหลังการขายเปลี่ยนให้**

การใส่ (ดูภาพประกอบ A)

ทำความสะอาดและทาลูบจารบีบางๆ ที่ปลายก้านเครื่องมือ จับเครื่องมือหมุนใส่ในหัวจับดอกจนเครื่องมือล็อกตัวเอง ดึงเครื่องมือเพื่อตรวจสอบการล็อก

การถอด (ดูภาพประกอบ B)

ดันปลอกสำหรับล้อ 2 ไปด้านหลัง และเอาเครื่องมือออก

การดูแล/ข้อเสีย

- ▶ ผู้ที่ได้จากวัสดุ เช่น เคลือบผิวที่มีสารตะกั่ว ไม้ยางประเภทเรซาคู และโลหะ อาจเป็นอันตรายต่อสุขภาพ การสัมผัสหรือการหายใจเอาฝุ่นเข้าไปอาจทำให้เกิดปฏิกิริยาแพ้ฝุ่นและ/หรือนำมาซึ่งโรคติดเชื้อระบบหายใจแก่ผู้ใช้เครื่องหรือผู้ที่ยืนอยู่ใกล้เคียง
- ▶ ฝุ่นบางประเภท เช่น ฝุ่นไม้โอ๊ก หรือไม้บีช นับเป็นสารที่ทำให้เกิดมะเร็ง โดยเฉพาะอย่างยิ่งเมื่อผสมกับสารเติมแต่งเพื่อขจัดไม้ (โครเมต ผลิตภัณฑ์รักษาเนื้อไม้) สำหรับวัสดุที่มีแอลเบทอสต้องให้ผู้เชี่ยวชาญทำงานเท่านั้น
 - จัดสถานที่ทำงานให้มีการระบายอากาศที่ดี
 - ขอแนะนำให้สวมหน้ากากป้องกันการติดเชื้อที่มีระดับ-ไส้กรอง P2
- ▶ ปฏิบัติตามกฎหมายข้อบังคับสำคัญอื่นๆ ที่เกี่ยวกับวัสดุชิ้นงานที่บังคับใช้ในประเทศของท่าน

การปฏิบัติงาน

เริ่มต้นปฏิบัติงาน

- ▶ ให้สังเกตแรงดันไฟฟ้า! แรงดันไฟฟ้าจากแหล่งจ่ายไฟฟ้าต้องมีค่าตรงกับค่าแรงดันไฟฟ้าที่ระบุไว้บนแผ่นป้ายติดเครื่อง

การเปิด-ปิดเครื่อง

เปิด เครื่องทำงานโดยดันสวิตช์เปิด-ปิด 4 ไปทางขวา

ปิด เครื่องโดยดันสวิตช์เปิด-ปิด 4 ไปทางซ้าย

หากเครื่องทำงานภายใต้อุณหภูมิต่ำ เครื่องจะเริ่มกระแทกเต็มที่หลังจากเปิดเครื่องทำงานแล้วระยะหนึ่งเท่านั้น ช่วงเวลาเริ่มทำงานนี้สามารถลดให้สั้นลงได้โดยการกระทุ้งดอกสกัดในเครื่องลงกับพื้นหนึ่งครั้ง

เพื่อประหยัดพลังงาน เปิดสวิตช์เครื่องมือไฟฟ้าเฉพาะเมื่อใช้งานเท่านั้น

การตั้งอัตรากระแทก

ระบบควบคุมอิเล็กทรอนิกส์ทำให้สามารถเลือกความเร็วรอบอย่างต่อเนื่องล่วงหน้าได้ โดยให้จำนวนรอบสัมพันธ์กับวัสดุชิ้นงาน

ระบบควบคุมอิเล็กทรอนิกส์ที่จะรักษาอัตรากระแทกที่ตั้งไว้ล่วงหน้าระหว่างการเดินเครื่องด้วยเวลาและขณะใช้งานเครื่องให้มีค่าเกือบคงที่

ตั้งอัตรากระแทกด้วยปุ่มหมุน 5 ให้สัมพันธ์กับประเภทวัสดุ

การเปลี่ยนตำแหน่งสกัด (Vario-Lock)

ดอกสกัดสามารถล็อกได้ 12 ตำแหน่ง ในลักษณะนี้ท่านสามารถตั้งทำงานได้ดีที่สุดสำหรับแต่ละรูปแบบการใช้งาน ใส่ดอกสกัดเข้าไปในหัวจับดอก

ดันแหวนล็อกปรับดอกสกัด 3 ไปข้างหน้า และหมุนดอกสกัดไปยังตำแหน่งที่ต้องการด้วยแหวนล็อกปรับดอกสกัด 3

ปล่อยมือจากแหวนล็อกปรับดอกสกัด 3 และหมุนดอกสกัดจนเข้าล็อก

ข้อแนะนำในการทำงาน

▶ ดึงปลั๊กไฟออกจากเต้าเสียบก่อนปรับแต่งเครื่อง

การลับดอกสกัด (ดูภาพประกอบ C)

ดอกสกัดคมเท่านั้นที่จะสกัดได้ดี ดังนั้นต้องลับเครื่องมือสกัดเมื่อถึงเวลาอันควร การปฏิบัติดังนี้จะทำให้เครื่องมือมีอายุการใช้งานยาวนานและได้งานสกัดที่ดี

การลับให้คม

ให้ลับดอกสกัดกับที่ลับมีด (ต. ย. เช่น แร่โครนัมที่มีเขี้ยวมีกผสม) โดยหยดน้ำลงบนดอกสกัดอย่างสม่ำเสมอ ค่าการลับที่เราแนะนำดูจากตัวเลขในรูป ระบุระดับวงอย่าให้คมตัดปรากฏสีเฝือ เพราะจะมีผลเสียต่อความแข็งแรงของเครื่องมือสกัด

สำหรับ **การตีเหล็ก** เฝือดอกสกัดให้ร้อนถึงอุณหภูมิระหว่าง 850 และ 1050 องศาเซลเซียส (สีแดงอ่อนถึงสีเหลือง)

สำหรับ **การทำให้แข็ง** เฝือดอกสกัดให้ร้อนถึงอุณหภูมิประมาณ 900 องศาเซลเซียส และจุ่มดอกสกัดลงในน้ำมันเพื่อทำให้เย็นลง จากนั้นนำไปเผาในเตาอบนานประมาณ 1 ชั่วโมงที่อุณหภูมิ 320 องศาเซลเซียส (สีเฝือ = สีฟ้าอ่อน)

การบำรุงรักษาและการบริการ

การบำรุงรักษาและการทำความสะอาด

▶ ดึงปลั๊กไฟออกจากเต้าเสียบก่อนปรับแต่งเครื่อง

▶ เพื่อให้ทำงานได้อย่างถูกต้องและปลอดภัย ต้องรักษาเครื่องและช่องระบายอากาศให้สะอาดอยู่เสมอ

▶ **ควรเปลี่ยนฝาครอบกันฝุ่นที่ขาดโดยทันที เราขอแนะนำว่า ควรส่งให้ศูนย์บริการหลังการขายเปลี่ยนให้**

เมื่อจำเป็นต้องเปลี่ยนสายไฟฟ้า ให้ส่งเครื่องให้บริษัท บ็อชหรือศูนย์บริการลูกค้าสำหรับเครื่องมือไฟฟ้า บ็อช ที่ได้รับมอบหมายทำการเปลี่ยนให้ เพื่อหลีกเลี่ยงอันตรายด้านความปลอดภัย

ไฟเตือนเข้ารับบริการ 6

เมื่อแปร่งถ่านหมดเครื่องจะปิดการทำงานเอง ก่อนแปร่งถ่านหมดประมาณ 8 ชั่วโมงไฟเตือนเข้ารับบริการ 6 จะติดหรือกะพริบขึ้น ต้องส่งเครื่องไปยังศูนย์บริการหลังการขาย รายละเอียดที่อยู่ดูจากบท

"การบริการหลังการขายและคำแนะนำการใช้งาน"

การบริการหลังการขายและคำแนะนำการใช้งาน

เมื่อต้องการสอบถามและสั่งซื้ออะไหล่ กรุณาแจ้งหมายเลขสินค้าลับหลักบนแผ่นป้ายรุ่นของเครื่องทุกครั้ง

ศูนย์บริการหลังการขายของเรายินดีตอบคำถามเกี่ยวกับการบำรุงรักษาและการซ่อมแซมผลิตภัณฑ์ของท่าน รวมทั้งชิ้นส่วนอะไหล่ ภาพแยกชิ้นประกอบและข้อมูลเกี่ยวกับชิ้นส่วนอะไหล่ยังสามารถดูได้ใน:

www.bosch-pt.com

ทีมงานให้คำแนะนำการใช้งานของ บ็อช ยินดีตอบคำถามเกี่ยวกับผลิตภัณฑ์ของเราและอุปกรณ์ประกอบของผลิตภัณฑ์ ในกรณีประกัน ซ่อมแซม หรือซื้อชิ้นส่วนมาเปลี่ยน กรุณาติดต่อ ผู้ขายที่ได้รับแต่งตั้งเท่านั้น

22 | Bahasa Indonesia

ไทย

บริษัท โรเบิร์ต บ็อส จำกัด
 ชั้น 11 ตึกลิเบอร์ตี สแควร์
 287 ถนนสีลม บางรัก
 กรุงเทพฯ 10500
 โทรศัพท์ 02 6393111, 02 6393118
 โทรสาร 02 2384783
 บริษัท โรเบิร์ต บ็อส จำกัด ตู้ ปณ. 2054
 กรุงเทพฯ 10501 ประเทศไทย
 www.bosch.co.th

ศูนย์บริการซ่อมและฝึกอบรม บ็อส
 อาคาร ลาซาลทาวเวอร์ ชั้น G ห้องเลขที่ 2
 บ้านเลขที่ 10/11 หมู่ 16
 ถนนศรีนครินทร์
 ตำบลบางแก้ว อำเภอบางพลี
 จังหวัดสมุทรปราการ 10540
 ประเทศไทย
 โทรศัพท์ 02 7587555
 โทรสาร 02 7587525

การกำจัดขยะ

เครื่องมือ อุปกรณ์ประกอบ และที่บ่อ ต้องนำไปแยกประเภท
 วัสดุเพื่อนำกลับมาใช้ใหม่โดยไม่ทำลายสภาพแวดล้อม

อย่าทิ้งเครื่องมือไฟฟ้าลงในขยะบ้าน!

ขอสงวนสิทธิ์ในการเปลี่ยนแปลงโดยไม่ต้องแจ้งล่วงหน้า

Bahasa Indonesia**Petunjuk-Petunjuk untuk Keselamatan Kerja****Petunjuk-Petunjuk Umum untuk Perkakas Listrik**

⚠ PERHATIKANLAH Bacalah semua petunjuk-petunjuk untuk keselamatan kerja dan petunjuk-petunjuk untuk penggunaan.

Kesalahan dalam menjalankan petunjuk-petunjuk untuk keselamatan kerja dan petunjuk-petunjuk untuk penggunaan dapat mengakibatkan kontak listrik, kebakaran dan/atau luka-luka yang berat.

Simpanlah semua petunjuk-petunjuk untuk keselamatan kerja dan petunjuk-petunjuk lainnya untuk penggunaan di masa depan.

Kata „perkakas listrik“ yang disebutkan di dalam petunjuk-petunjuk untuk keselamatan kerja adalah sebutan untuk perkakas listrik pakai listrik jaringan (dengan kabel) dan untuk perkakas listrik tenaga baterai (tanpa kabel listrik).

Keselamatan kerja di tempat kerja

- ▶ **Jagalah supaya tempat kerja selalu bersih dan terang.**
Tempat kerja yang tidak rapi atau tidak terang dapat mengakibatkan terjadinya kecelakaan.
- ▶ **Janganlah menggunakan perkakas listrik di tempat di mana dapat terjadi ledakan, di mana ada cairan, gas**

atau debu yang mudah terbakar. Perkakas listrik dapat memancarkan bunga api yang lalu mengakibatkan debu atau uap terbakar.

- ▶ **Selama menggunakan perkakas listrik, jauhkan anak-anak dan orang-orang lain dari tempat kerja.** Jika konsentrasi terganggu, bisa jadi Anda tidak bisa mengendalikan perkakas listrik tersebut.

Keamanan listrik

- ▶ **Steker dari perkakas listrik harus cocok pada stopkontak. Janganlah sekali-kali merubah steker. Janganlah menggunakan steker perantara bersama dengan perkakas listrik yang mempunyai hubungan arde.** Steker yang tidak dirubah dan stopkontak yang cocok mengurangi bahaya terjadinya kontak listrik.
- ▶ **Jagalah supaya badan Anda tidak bersentuhan dengan permukaan yang mempunyai hubungan arde, misalnya pipa-pipa, radiator pemanas ruangan, kompor listrik dan lemari es.** Ada risiko besar terjadi kontak listrik, jika badan Anda mempunyai hubungan arde.
- ▶ **Jagalah supaya perkakas listrik tidak kena hujan atau menjadi basah.** Air yang masuk ke dalam perkakas listrik menambah risiko terjadinya kontak listrik.
- ▶ **Janganlah menyalah gunakan kabel listrik untuk mengangkat dan menggantungkan perkakas listrik atau untuk menarik steker dari stopkontak. Jagalah supaya kabel listrik tidak kena panas, minyak, pinggirang yang tajam atau bagian-bagian perkakas yang bergerak.** Kabel listrik yang rusak atau tersangkut menambah risiko terjadinya kontak listrik.
- ▶ **Jika Anda menggunakan perkakas listrik di luar gedung, gunakanlah hanya kabel sambungan yang juga cocok untuk pemakaian di luar gedung.** Penggunaan kabel sambungan yang cocok untuk pemakaian di luar gedung mengurangi risiko terjadinya kontak listrik.
- ▶ **Jika penggunaan perkakas listrik di tempat yang basah tidak bisa dihindarkan, gunakanlah sakelar pengaman terhadap arus penyimpangan.** Penggunaan sakelar pengaman terhadap arus penyimpangan mengurangi risiko terjadinya kontak listrik.

Keselamatan kerja

- ▶ **Berhati-hatilah selalu, perhatikanlah apa yang Anda kerjakan dan bekerjalah dengan seksama jika menggunakan perkakas listrik. Janganlah menggunakan perkakas listrik, jika Anda capai atau berada di bawah pengaruh narkoba, minuman keras atau obat.** Jika Anda sekejap mata saja tidak berhati-hati sewaktu menggunakan perkakas listrik, dapat terjadi luka-luka berat.
- ▶ **Pakailah pakaian dan sarana pelindung dan pakailah selalu kaca mata pelindung.** Dengan memakai pakaian dan sarana pelindung, misalnya kedok anti debu (masker), sepatu tertutup yang tidak licin, helm pelindung atau pemalut telinga sesuai dengan pekerjaan yang dilakukan dengan perkakas listrik, bahaya terjadinya luka-luka dapat dikurangi.
- ▶ **Jagalah supaya perkakas listrik tidak dihidupkan secara tidak disengaja. Perhatikan bahwa perkakas listrik dalam penyetalan mati, jika steker**

disambungkan pada pengadaan listrik dan/atau baterai, jika perkakas listrik diangkat atau dibawa. Jika selama mengangkat perkakas listrik jari Anda berada pada tombol untuk menghidupkan dan mematikan atau perkakas listrik yang dalam penyetelan hidup disambungkan pada listrik, dapat terjadi kecelakaan.

- ▶ **Lepaskan semua perkakas-perkakas penyetelan atau kunci-kunci pas sebelum perkakas listrik dihidupkan.** Perkakas atau kunci yang berada di dalam bagian yang berputar dapat mengakibatkan terjadinya luka-luka.
- ▶ **Aturkan badan sedemikian sehingga Anda bisa bekerja dengan aman. Berdirilah secara mantap dan jagalah selalu keseimbangan.** Dengan demikian Anda bisa mengendalikan perkakas listrik dengan lebih baik, jika terjadi sesuatu dengan tiba-tiba.
- ▶ **Pakailah pakaian yang cocok. Janganlah memakai pakaian yang longgar atau perhiasan. Jagalah supaya rambut, pakaian dan sarung tangan tidak masuk dalam bagian-bagian perkakas yang bergerak.** Pakaian yang longgar, rambut panjang atau perhiasan dapat tersangkut dalam bagian perkakas yang bergerak.
- ▶ **Jika ada kemungkinan untuk memasang sarana penghisapan dan penampungan debu, perhatikan bahwa sarana-sarana ini telah dipasang dan digunakan dengan betul.** Penggunaan sarana penghisapan bisa mengurangi bahaya yang disebabkan debu.

Penggunaan dan penanganan perkakas listrik dengan seksama

- ▶ **Janganlah membebankan perkakas listrik terlalu berat. Gunakan selalu perkakas listrik yang cocok untuk pekerjaan yang dilakukan.** Dengan perkakas listrik yang cocok Anda bekerja lebih baik dan lebih aman dalam batas-batas kemampuan yang ditentukan.
- ▶ **Janganlah menggunakan perkakas listrik yang tombolnya rusak.** Perkakas listrik yang tidak dihidupkan atau dimatikan, berbahaya dan harus direparasikan.
- ▶ **Tariklah steker dari stopkontak dan/atau keluarkan baterai, sebelum Anda melakukan penysetelan pada perkakas listrik, mengganti alat-alat kerja atau sebelum menyimpan perkakas listrik.** Tindakan keselamatan kerja ini mengurangi bahaya perkakas listrik hidup secara tidak disengaja.
- ▶ **Simpanlah perkakas listrik yang tidak digunakan di luar jangkauan anak-anak. Janganlah mengizinkan orang-orang yang tidak mengenal perkakas listrik ini atau yang belum membaca petunjuk-petunjuk ini, menggunakan perkakas listrik ini.** Perkakas listrik bisa menjadi berbahaya, jika digunakan oleh orang-orang yang tidak mengenalnya.
- ▶ **Rawatlah perkakas listrik dengan seksama. Periksa, apakah bagian-bagian perkakas listrik yang bergerak berfungsi dengan baik dan tidak tersangkut, apakah ada bagian-bagian yang patah atau rusak sedemikian, sehingga dapat mempengaruhi jalannya perkakas listrik. Biarkan bagian-bagian perkakas yang rusak direparasikan, sebelum Anda**

mulai menggunakan perkakas listrik. Banyak kecelakaan terjadi karena perkakas listrik tidak dirawat dengan seksama.

- ▶ **Perhatikan supaya alat-alat pemotong selalu tajam dan bersih.** Alat-alat pemotong dengan mata-mata pemotong yang tajam dan dirawat dengan seksama tidak mudah tersangkut dan lebih mudah dikendalikan.
- ▶ **Gunakanlah semua perkakas listrik, aksesoris, alat-alat kerja dsb. sesuai dengan petunjuk-petunjuk. Perhatikan syarat-syarat kerja dan macam pekerjaan yang dilakukan.** Penggunaan perkakas listrik untuk macam pekerjaan yang tidak cocok dengan kegunaannya bisa mengakibatkan keadaan yang berbahaya.

Servis

- ▶ **Biarkan perkakas listrik Anda direparasikan hanya oleh orang-orang ahli yang berpengalaman dan hanya dengan menggunakan suku cadang yang asli.** Dengan demikian terjamin keselamatan kerja dengan perkakas listrik ini secara berkesinambungan.

Petunjuk-petunjuk untuk keselamatan kerja dengan palu

- ▶ **Pakailah pemalut telinga.** Jika Anda mendengar suara bising untuk waktu yang lama, daya pendengaran bisa berkurang.
- ▶ **Gunakanlah gagang tambahan-gagang tambahan, jika ini dipasang bersama dengan perkakas listrik.** Perkakas listrik yang tidak bisa dikendalikan bisa mengakibatkan terjadinya luka-luka.
- ▶ **Peganglah perkakas listrik hanya pada pegangan yang terisolir jika Anda melakukan pekerjaan yang memungkinkan alat pemotong ini menjalin kontak dengan kabel listrik yang tidak terlihat atau kabelnya sendiri.** Alat kerja yang bersentuhan dengan kabel yang bertegangan dapat mengakibatkan bagian-bagian logam dari perkakas listrik juga ikut dialiri tegangan arus dan mengakibatkan terjadinya kontak listrik.
- ▶ **Gunakanlah alat detektor logam yang cocok untuk mencari kabel dan pipa yang tidak terlihat atau hubungi perusahaan pengadaan setempat.** Sentuhan dengan kabel-kabel listrik dapat mengakibatkan api dan kontak listrik. Pipa gas yang dirusak dapat mengakibatkan ledakan. Pipa air yang dirusak mengakibatkan kerusakan barang-barang atau dapat mengakibatkan kontak listrik.
- ▶ **Selama digunakan, peganglah perkakas listrik dengan kedua belah tangan dan perhatikanlah supaya Anda berdiri secara teguh.** Perkakas listrik bisa dikendalikan lebih baik jika dipegang dengan kedua belah tangan.
- ▶ **Usahakan supaya benda yang dikerjakan tidak goyang.** Benda yang ditahan dalam alat pemegang atau bais lebih mantap daripada benda yang dipegang dengan tangan.
- ▶ **Sebelum meletakkan perkakas listrik, tunggulah sampai perkakas berhenti memutar.** Alat kerja bisa tersangkut dan membuat perkakas listrik tidak bisa dikendalikan.

Penjelasan tentang produk dan daya



Bacalah semua petunjuk-petunjuk untuk keselamatan kerja dan petunjuk-petunjuk untuk penggunaan. Kesalahan dalam menjalankan petunjuk-petunjuk untuk keselamatan kerja dan petunjuk-petunjuk

untuk penggunaan dapat mengakibatkan kontak listrik, kebakaran dan/atau luka-luka yang berat.

Bukalah halaman lipatan dengan gambar dari perkakas dan biarkan halaman ini terbuka selama Anda membaca petunjuk-petunjuk untuk penggunaan.

Penggunaan alat

Mesin ini cocok untuk pekerjaan memahat pada bahan beton, batu bata, batu-batuan dan aspal serta dengan mempergunakan aksesoris yang cocok, juga untuk menanam dan memadamkan.

Bagian-bagian pada gambar

Nomor-nomor dari bagian-bagian perkakas pada gambar sesuai dengan gambar perkakas listrik pada halaman bergambar.

- 1 Kap pelindung debu
- 2 Selubung pengunci
- 3 Ring untuk penyetelan pahat (Vario-Lock)
- 4 Tombol untuk menghidupkan dan mematikan
- 5 Roda untuk penyetelan pendahuluan banyaknya getaran
- 6 Display tanda servis
- 7 Gagang tambahan (genggaman terisolir)
- 8 Mur bergerigi untuk gagang tambahan
- 9 Pegangan (genggaman terisolir)

Aksesoris yang ada pada gambar atau yang dijelaskan, tidak termasuk pasokan standar dari perkakas listrik. Semua aksesoris yang ada bisa Anda lihat dalam program aksesoris Bosch.

Data teknis

Mesin palu	GSH 11 E	
Nomor model		0 611 316 7..
Masukan nominal	W	1500
Banyaknya getaran	min ⁻¹	900 – 1890
Daya tiap-tiap getar sesuai dengan EPTA-Procedure 05/2009	J	16,8
Posisi penyetelan pahat		12
Pemegang alat kerja		SDS-max
Pelumasan		Pelumasan sentral yang tidak terhenti
Berat sesuai dengan EPTA-Procedure 01:2014	kg	10,1
Klasifikasi keamanan		□/II
Data-data berlaku untuk tegangan nominal [U] 230 V. Pada tegangan yang lebih rendah dan pada model khusus mancanegara data-data ini bisa berlainan.		

Cara memasang

Gagang tambahan

- ▶ **Gunakanlah perkakas listrik hanya dengan gagang tambahan 7.**

Anda bisa memutar gagang tambahan 7 ke kedudukan yang cocok dengan macam pekerjaan, supaya posisi kerja mantap dan tidak begitu melelahkan.

Lepaskan mur bergerigi 8, putarkan gagang tambahan 7 terhadap sumbu mesin ke posisi yang dikehendaki dan kemudian kencangkan kembali mur bergerigi 8.

Anda bisa merubah kedudukan gagang tambahan 7. Untuk melakukannya, putarkan mur bergerigi 8 sampai terlepas dan kemudian tariklah baut berkepala segi enam ke atas sama sekali. Tarik gagang tambahan 7 ke samping sampai lepas dan gantikan kedudukan bagian pemegang sebesar 180°. Pasangkan gagang tambahan 7 dalam urutan terbalik.

Mengganti alat kerja

- ▶ **Sebelum mulai dengan pekerjaan pada perkakas listrik, tariklah steker dari stopkontak.**

Dengan pemegang alat kerja SDS-max Anda bisa mengganti alat kerja dengan mudah dan cepat tanpa memerlukan perkakas tambahan.

Kap pelindung debu 1 menghindarkan debu masuk ke dalam pemegang alat kerja selama perkakas listrik digunakan.

Selama memasang alat kerja, perhatikanlah supaya kap pelindung debu 1 tidak menjadi rusak.

- ▶ **Kap pelindung debu yang rusak harus segera diganti. Kami anjurkan supaya pekerjaan ini dilakukan oleh suatu Service Center Bosch.**

Memasang alat kerja (lihat gambar A)

Bersihkan ujung pegang dari alat kerja dan lumasnya sedikit.

Masukkan alat kerja ke dalam pemegang alat kerja sambil memutarannya sampai mengancing sendiri.

Periksalah apakah alat kerja sudah terkunci dengan cara menariknya.

Mengeluarkan alat kerja (lihat gambar B)

Dorongan selubung pengunci 2 ke belakang dan lepaskan alat kerja.

Penghisapan debu/serbuk

- ▶ Debu dari bahan-bahan seperti misalnya cat yang mengandung timbel (timah hitam), beberapa jenis kayu, bahan mineral dan logam bisa berbahaya bagi kesehatan. Menyentuh atau menghirup debu-debu ini bisa mengakibatkan reaksi alergi dan/atau penyakit saluran pernafasan dari orang yang menggunakan mesin atau orang yang berada di dekatnya. Beberapa debu tertentu seperti misalnya debu kayu pohon quercus atau pohon fagus silvatica dianggap bisa mengakibatkan penyakit kanker, terutama dalam campuran dengan bahan-bahan tambahan untuk pengolahan kayu (kromat, obat pengawet kayu). Bahan-bahan yang mengandung asbestos hanya boleh dikerjakan oleh orang-orang yang ahli.

- Perhatikanlah supaya ada pertukaran udara di tempat kerja.
- Kami anjurkan supaya Anda memakai kedok anti debu dengan saringan (filter) kelas P2.

Taatilah peraturan-peraturan untuk bahan-bahan yang dikerjakan yang berlaku di negara Anda.

Penggunaan

Cara penggunaan

- ▶ **Perhatikan tegangan jaringan listrik! Tegangan jaringan listrik harus sesuai dengan tegangan listrik yang tercantum pada label tipe perkakas listrik.**

Menghidupkan/mematikan

Untuk **menghidupkan** perkakas listrik, dorongan tombol untuk menghidupkan dan mematikan mesin **4** ke kanan.

Untuk **mematikan** perkakas listrik, dorongan tombol untuk menghidupkan dan mematikan mesin **4** ke kiri.

Pada suhu yang rendah, perkakas listrik ini baru setelah lewat beberapa waktu mencapai daya kemampuan penuh.

Waktu raning ini bisa diperpendek, jika alat kerja yang terpasang dikenakan pada lantai satu kali saja.

Untuk menghemat energi, hidupkan perkakas listrik hanya jika Anda menggunakannya.

Menyetel banyaknya getaran

Elektronika pengendali memungkinkan penyetelan pendahuluan banyaknya getaran tanpa tingkatan untuk menyesuikannya pada bahan yang dikerjakan.

Elektronika penyetel putaran membuat banyaknya getaran yang disetelkan sebelumnya antara putaran tanpa beban dan di bawah beban hampir konstan.

Pilihkan banyaknya getaran yang cocok untuk bahan yang dikerjakan dengan roda **5**.

Mengganti kedudukan pahat (Vario-Lock)

Pahat bisa dikuncikan pada 12 posisi. Dengan demikian bisa disetelkan posisi kerja yang paling cocok.

Masukkan pahat ke dalam pemegang alat kerja.

Dorongan ring untuk penyetelan pahat **3** ke depan dan putarkan pahat dengan ring untuk penyetelan pahat **3** ke posisi yang dikehendaki.

Lepaskan ring untuk penyetelan pahat **3** dan putarkan pahat sampai mengunci.

Petunjuk-petunjuk untuk pemakaian

- ▶ **Sebelum mulai dengan pekerjaan pada perkakas listrik, tariklah steker dari stopkontak.**

Mengasah pahat (lihat gambar C)

Hanya dengan pahat-pahat yang tajam dapat diperoleh hasil kerja yang bagus, karena itu asahlah pahat-pahat sebelum terlambat. Hal ini menjamin pahat-pahat tahan lebih lama dan hasil kerja yang bagus.

Mengasah

Asahkan pahat pada mata gerinda, misalnya dari korundum, sambil dibasahi dengan air secara kontinu. Nilai-nilai patokan

bisa dilihat pada gambar. Perhatikanlah supaya pada ujung pahat tidak tampak warna sepuh karena kekerasan pahat bisa berkurang.

Untuk **menempa**, panaskan pahat menjadi 850 sampai 1050 °C (merah cabai sampai kuning).

Untuk **menyepuh**, panaskan pahat sampai 900 °C dan masukkan ke dalam minyak. Setelah itu dimurnikan dalam oven kira-kira selama satu jam pada suhu 320 °C (warna sepuh biru muda).

Rawatan dan servis

Rawatan dan kebersihan

- ▶ **Sebelum mulai dengan pekerjaan pada perkakas listrik, tariklah steker dari stopkontak.**
- ▶ **Perkakas listrik dan lubang ventilasi harus selalu dibersihkan supaya perkakas bisa digunakan dengan baik dan aman.**
- ▶ **Kap pelindung debu yang rusak harus segera diganti. Kami anjurkan supaya pekerjaan ini dilakukan oleh suatu Service Center Bosch.**

Jika kabel listrik harus digantikan, pekerjaan ini harus dilakukan oleh Bosch atau Service Center untuk perkakas listrik Bosch yang resmi, supaya keselamatan kerja selalu terjamin.

Display tanda servis 6

Jika karbon dinamo habis, perkakas listrik akan berhenti sendiri. Hal ini akan diperingatkan kira-kira 8 jam sebelumnya oleh display tanda servis **6** yang menyala atau berkedip-kedip. Perkakas listrik harus dikirimkan ke Service Center untuk diservis, alamatnya lihat bab „Layanan pasca beli dan konseling terkait pengoperasian“.

Layanan pasca beli dan konseling terkait pengoperasian

Jika Anda hendak menanyakan sesuatu atau memesan suku cadang, sebutkan selalu nomor model yang terdiri dari 10 angka dan tercantum pada label tipe perkakas.

Layanan pasca beli Bosch menjawab semua pertanyaan Anda terkait reparasi dan maintenance serta suku cadang produk ini. Gambar tiga dimensi dan informasi terkait suku cadang dapat Anda lihat di:

www.bosch-pt.com

Tim konseling pengoperasian dari Bosch dengan senang hati membantu Anda, jika Anda hendak bertanya tentang produk-produk kami dan aksesorisnya.

Indonesia

PT. Multi Mayaka
Kawasan Industri Pulogadung
Jalan Rawa Gelam III No. 2
Jakarta 13930

Indonesia
Tel.: (021) 46832522
Fax: (021) 46828645/6823
E-Mail: sales@multimayaka.co.id
www.bosch-pt.co.id

26 | Tiếng Việt

Cara membuang

Perkakas listrik, aksesoris dan kemasan sebaiknya didaur ulangkan sesuai dengan upaya untuk melindungi lingkungan hidup.

Janganlah membuang perkakas listrik dalam sampah rumah tangga!

Perubahan dapat terjadi tanpa pemberitahuan sebelumnya.

Tiếng Việt**Các Nguyên Tắc An Toàn****Cảnh báo tổng quát cách sử dụng an toàn dụng cụ điện cầm tay**

⚠ CẢNH BÁO Đọc kỹ mọi cảnh báo an toàn và hướng dẫn. Không tuân thủ mọi cảnh báo và hướng dẫn được liệt kê dưới đây có thể bị điện giật, gây cháy và/hoặc bị thương tật nghiêm trọng.

Hãy giữ tất cả tài liệu về cảnh báo và hướng dẫn để tham khảo về sau.

Thuật ngữ “dụng cụ điện cầm tay” trong phần cảnh báo là để cập đến sự sử dụng dụng cụ điện cầm tay của bạn, loại sử dụng điện nguồn (có dây cắm điện) hay vận hành bằng pin (không dây cắm điện).

Khu vực làm việc an toàn

- ▶ **Giữ nơi làm việc sạch và đủ ánh sáng.** Nơi làm việc bừa bộn và tối tăm dễ gây ra tai nạn.
- ▶ **Không vận hành dụng cụ điện cầm tay trong môi trường dễ gây nổ, chẳng hạn như nơi có chất lỏng dễ cháy, khí đốt hay rác.** Dụng cụ điện cầm tay tạo ra các tia lửa nên có thể làm rác bén cháy hay bốc khói.
- ▶ **Không để trẻ em hay người đến xem đứng gần khi vận hành dụng cụ điện cầm tay.** Sự phân tâm có thể gây ra sự mất điều khiển.

An toàn về điện

- ▶ **Phích cắm của dụng cụ điện cầm tay phải thích hợp với ổ cắm. Không bao giờ được cải biến lại phích cắm dưới mọi hình thức. Không được sử dụng phích tiếp hợp nối tiếp đất (dây mát).** Phích cắm nguyên bản và ổ cắm đúng loại sẽ làm giảm nguy cơ bị điện giật.
- ▶ **Tránh không để thân thể tiếp xúc với đất hay các vật có bề mặt tiếp đất như đường ống, lò sưởi, hàng rào và tủ lạnh.** Có nhiều nguy cơ bị điện giật hơn nếu cơ thể bạn bị tiếp hay nối đất.
- ▶ **Không được để dụng cụ điện cầm tay ngoài mưa hay ở tình trạng ẩm ướt.** Nước vào máy sẽ làm tăng nguy cơ bị điện giật.

- ▶ **Không được lạm dụng dây dẫn điện. Không bao giờ được nắm dây dẫn để xách, kéo hay rút phích cắm dụng cụ điện cầm tay. Không để dây gần nơi có nhiệt độ cao, dầu nhớt, vật nhọn bén hay bộ phận chuyển động.** Làm hỏng hay cuộn rối dây dẫn làm tăng nguy cơ bị điện giật.
- ▶ **Khi sử dụng dụng cụ điện cầm tay ngoài trời, dùng dây nối thích hợp cho việc sử dụng ngoài trời.** Sử dụng dây nối thích hợp cho việc sử dụng ngoài trời làm giảm nguy cơ bị điện giật.
- ▶ **Nếu việc sử dụng dụng cụ điện cầm tay ở nơi ẩm ướt là không thể tránh được, dùng thiết bị ngắt mạch tự động (RCD) bảo vệ nguồn.** Sử dụng thiết bị ngắt mạch tự động RCD làm giảm nguy cơ bị điện giật.

An toàn cá nhân

- ▶ **Hãy tỉnh táo, biết rõ mình đang làm gì và hãy sử dụng ý thức khi vận hành dụng cụ điện cầm tay. Không sử dụng dụng cụ điện cầm tay khi đang mệt mỏi hay đang bị tác động do chất gây nghiện, rượu hay được phẩm gây ra.** Một thoáng mất tập trung khi đang vận hành dụng cụ điện cầm tay có thể gây thương tích nghiêm trọng cho bản thân.
- ▶ **Sử dụng trang bị bảo hộ cá nhân. Luôn luôn đeo kính bảo vệ mắt.** Trang bị bảo hộ như khẩu trang, giày chống trượt, nón bảo hộ, hay dụng cụ bảo vệ tai khi được sử dụng đúng nơi đúng chỗ sẽ làm giảm nguy cơ thương tật cho bản thân.
- ▶ **Phòng tránh máy khởi động bất ngờ. Bảo đảm công tắc máy ở vị trí tắt trước khi cắm vào nguồn điện và/hay lắp pin vào, khi nhắc máy lên hay khi mang xách máy.** Ngáng ngón tay vào công tắc máy để xách hay kích hoạt dụng cụ điện cầm tay khi công tắc ở vị trí mở dễ dẫn đến tai nạn.
- ▶ **Lấy mọi chìa hay khóa điều chỉnh ra trước khi mở điện dụng cụ điện cầm tay.** Khóa hay chìa còn gắn dính vào bộ phận quay của dụng cụ điện cầm tay có thể gây thương tích cho bản thân.
- ▶ **Không rướn người. Luôn luôn giữ tư thế đứng thích hợp và thăng bằng.** Điều này tạo cho việc điều khiển dụng cụ điện cầm tay tốt hơn trong mọi tình huống bất ngờ.
- ▶ **Trang phục thích hợp. Không mặc quần áo rộng lủng thùng hay mang trang sức. Giữ tóc, quần áo và găng tay xa khỏi các bộ phận chuyển động.** Quần áo rộng lủng thùng, đồ trang sức hay tóc dài có thể bị cuốn vào các bộ phận chuyển động.
- ▶ **Nếu có các thiết bị đi kèm để nối máy hút bụi và các phụ kiện khác, bảo đảm các thiết bị này được nối và sử dụng tốt.** Việc sử dụng các thiết bị gom hút bụi có thể làm giảm các độc hại liên quan đến bụi gây ra.

Sử dụng và bảo dưỡng dụng cụ điện cầm tay

- ▶ **Không được ép máy. Sử dụng dụng cụ điện cầm tay đúng loại theo đúng ứng dụng của bạn.** Dụng cụ điện cầm tay đúng chức năng sẽ làm việc tốt và an toàn hơn theo đúng tiến độ mà máy được thiết kế.
- ▶ **Không sử dụng dụng cụ điện cầm tay nếu như công tắc không tắt và mở được.** Bất kỳ dụng cụ điện cầm tay nào mà không thể điều khiển được bằng công tắc là nguy hiểm và phải được sửa chữa.
- ▶ **Rút phích cắm ra khỏi nguồn điện và/hay pin ra khỏi dụng cụ điện cầm tay trước khi tiến hành bất kỳ điều chỉnh nào, thay phụ kiện, hay cất dụng cụ điện cầm tay.** Các biện pháp ngăn ngừa như vậy làm giảm nguy cơ dụng cụ điện cầm tay khởi động bất ngờ.
- ▶ **Cất giữ dụng cụ điện cầm tay không dùng tới nơi trẻ em không lấy được và không cho người chưa từng biết dụng cụ điện cầm tay hay các hướng dẫn này sử dụng dụng cụ điện cầm tay.** Dụng cụ điện cầm tay nguy hiểm khi ở trong tay người chưa được chỉ cách sử dụng.
- ▶ **Bảo quản dụng cụ điện cầm tay.** Kiểm tra xem các bộ phận chuyển động có bị sai lệch hay kẹt, các bộ phận bị rạn nứt và các tình trạng khác có thể ảnh hưởng đến sự vận hành của máy. Nếu bị hư hỏng, phải sửa chữa máy trước khi sử dụng. Nhiều tai nạn xảy ra do bảo quản dụng cụ điện cầm tay tồi.
- ▶ **Giữ các dụng cụ cắt bén và sạch.** Bảo quản đúng cách các dụng cụ cắt có cạnh cắt bén làm giảm khả năng bị kẹt và dễ điều khiển hơn.
- ▶ **Sử dụng dụng cụ điện cầm tay, phụ kiện, đầu cài v. v., đúng theo các chỉ dẫn này, hãy lưu ý đến điều kiện làm việc và công việc phải thực hiện.** Sử dụng dụng cụ điện cầm tay khác với mục đích thiết kế có thể tạo nên tình huống nguy hiểm.

Bảo dưỡng

- ▶ **Đưa dụng cụ điện cầm tay của bạn đến thợ chuyên môn để bảo dưỡng, chỉ sử dụng phụ tùng đúng chủng loại để thay.** Điều này sẽ đảm bảo sự an toàn của máy được giữ nguyên.

Các Cảnh Báo An Toàn Cho Khoan Búa

- ▶ **Hãy mang dụng cụ bảo vệ tai.** Để tai trần tiếp xúc với tiếng ồn có thể làm mất thính giác.
- ▶ **Hãy sử dụng tay nắm phụ, nếu như được giao kèm với dụng cụ.** Sự mất điều khiển có thể gây thương tích cho bản thân.
- ▶ **Nắm giữ dụng cụ điện nơi phần nắm cách điện khi thực hiện việc gia công nơi dụng cụ cắt có thể chạm vào dây điện không nhìn thấy được hay chính dây của máy.** Dụng cụ cắt chạm phải

dây có điện có thể làm cho các bộ phận kim loại không được bao bọc có điện và giết người vận hành máy.

- ▶ **Dùng thiết bị dò tìm thích hợp để xác định nếu có các công trình công cộng lắp đặt ngầm trong khu vực làm việc hay liên hệ với Cty công trình Công cộng địa phương để nhờ hỗ trợ.** Đụng chạm đường dẫn điện có thể gây ra hỏa hoạn và điện giật. Làm hư hại đường dẫn khí ga có thể gây nổ. Làm thủng đường dẫn nước gây hư hỏng tài sản hay có khả năng gây ra điện giật.
- ▶ **Khi sử dụng máy, luôn luôn giữ chặt máy bằng cả hai tay và tạo tư thế đứng vững chãi.** Dụng cụ điện cầm tay vận hành an toàn hơn khi dùng cả hai tay.
- ▶ **Kẹp chặt vật gia công.** Vật gia công được kẹp bằng một thiết bị kẹp hay bằng êtô thì vững chắc hơn giữ bằng tay.
- ▶ **Luôn luôn đợi cho máy hoàn toàn ngừng hẳn trước khi đặt xuống.** Dụng cụ lắp vào máy có thể bị kẹp chặt dẫn đến việc dụng cụ điện cầm tay bị mất điều khiển.

Mô Tả Sản Phẩm và Đặc Tính Kỹ Thuật

Đọc kỹ mọi cảnh báo an toàn và mọi hướng dẫn. Không tuân thủ mọi cảnh báo và hướng dẫn được liệt kê dưới đây có thể bị điện giật, gây cháy và/hay bị thương tật nghiêm trọng.

Trong khi đọc các hướng dẫn sử dụng, mở trang gấp hình ảnh máy và để mở nguyên như vậy.

Dành sử dụng cho

Máy được thiết kế để đục bê-tông, gạch, công trình nề và nhựa đường cũng như để khoét sâu vào hay đâm nên khi ta sử dụng các phụ kiện tương hợp.

Biểu trưng của sản phẩm

Sự đánh số các biểu trưng của sản phẩm là để tham khảo hình minh họa của máy trên trang hình ảnh.

- 1 Chụp ngăn bụi
- 2 Vòng Khóa
- 3 Vòng điều chỉnh mũi đục (khóa nhiều vị trí)
- 4 Công tắc Tắt/Mở
- 5 Núm xoay chọn trước tấn suất đập
- 6 Đèn cảnh báo hoạt động
- 7 Tay nắm phụ (có bề mặt nắm cách điện)
- 8 Đai ốc khóa của tay nắm phụ
- 9 Tay nắm (bề mặt nắm cách điện)

Phụ tùng được trình bày hay mô tả không phải là một phần của tiêu chuẩn hàng hóa được giao kèm theo sản phẩm. Bạn có thể tham khảo tổng thể các loại phụ tùng, phụ kiện trong chương trình phụ tùng của chúng tôi.

28 | Tiếng Việt

Thông số kỹ thuật

Búa Phá		GSH 11 E	
Mã số máy		0 611 316 7..	
Công suất vào danh định	W	1500	
Tần suất đập	bpm	900 – 1890	
Năng lượng và đập của từng hành trình dựa theo Qui Chuẩn-EPTA 05/2009	J	16,8	
Vị trí mũi đục		12	
Phần lắp dụng cụ		Tháo ráp nhanh SDS-max	
Bôi Trơn		Điểm chủ yếu bôi trơn thường xuyên	
Trọng lượng theo Qui trình EPTA-Procedure 01:2014 (chuẩn EPTA 01:2014)	kg	10,1	
Cấp độ bảo vệ		□/II	
Các giá trị đã cho có hiệu lực cho điện thế danh định [U] 230 V. Đối với điện thế thấp hơn và các loại máy đánh riêng cho một số quốc gia, các giá trị này có thể thay đổi.			

Sự lắp vào**Tay nắm phụ****► Chỉ vận hành máy của bạn khi đã gắn tay nắm phụ 7.**

Tay nắm phụ 7 có thể chỉnh đặt ở bất cứ vị trí nào mà tạo ra được sự an toàn và tư thế làm việc thoải mái nhất.

Nới lỏng đai ốc khóa 8, xoay tay nắm phụ 7 quanh trục máy về vị trí muốn đặt và vặn chặt đai ốc khóa 8 lại.

Tay nắm phụ 7 có thể đặt ở các vị trí khác nhau. Để thực hiện, tháo hoàn toàn đai ốc khóa ra 8 và sau đó kéo bu-loong lục giác lên trên. Kéo tay nắm phụ 7 qua một bên và xoay chung quanh bộ phận kẹp vẫn còn nằm trên máy 180°. Gắn tay nắm phụ 7 theo qui trình ngược lại.

Thay Dụng Cụ**► Trước khi tiến hành bất cứ việc gì trên máy, kéo phích cắm điện nguồn ra.**

Với phần tra lắp nhanh dụng cụ SDS-max, việc thay đổi dụng cụ đơn giản và dễ dàng hơn mà không cần sự phụ trợ nào khác.

Chụp bảo vệ ngăn bụi 1 giúp ngăn cản phá?n lơ?n sự xâm nhập củ?a bụi khoan vào dụng cụ trong thời gian hoạt động. Khi lắp dụng cụ vào, hãy lưu ý rằng chụp bảo vệ ngăn bụi 1 không bị làm hư hỏng.

► Chụp ngăn bụi bị hư hỏng phải được thay ra ngay lập tức. Chúng tôi khuyến nghị việc thay thế này do một đại lý phục vụ hậu mãi thực hiện.**Tra Lắp (xem hình A)**

Làm sạch và thoa một lớp mỏng dầu bôi trơn lên chuôi của dụng cụ.

Lắp dụng cụ vào bằng cách xoay vặn dụng cụ vào ổ lắp dụng cụ cho đến khi tự ăn vào khớp.

Kiểm tra xem đã cài chắc chưa bằng cách kéo thử dụng cụ ra.

Thay ra (xem hình B)

Đẩy vòng khóa xuống 2 và lấy dụng cụ ra.

Hút Dăm/Bụi

► Mạt bụi từ các vật liệu được sơn phủ ngoài có chứa chì trên một số loại gỗ, khoáng vật và kim loại có thể gây nguy hại đến sức khỏe con người. Dụng cụ chạm hay hít thở các bụi này có thể làm người sử dụng hay đứng gần bị dị ứng và/hoặc gây nhiễm trùng hệ hô hấp.

Một số mạt bụi cụ thể, ví dụ như bụi gỗ sồi hay dẫu, được xem là chất gây ung thư, đặc biệt là có liên quan đến các chất phụ gia dùng xử lý gỗ (chất cromat, chất bảo quản gỗ). Có thể chỉ nên để thợ chuyên môn gia công các loại vật liệu có chứa amiăng.

- Tạo không khí thông thoáng nơi làm việc.
- Khuyến nghị nên mang mặt nạ phòng độc có bộ lọc cấp P2.

Tuân thủ các qui định của quốc gia bạn liên quan đến loại vật liệu gia công.

Vận Hành**Bắt Đầu Vận Hành****► Tuân thủ theo đúng điện thế! Điện thế nguồn phải đúng với điện thế đã ghi rõ trên nhãn máy.****Bật Mở và Tắt**

Để mở máy, đẩy công tắc Tắt/Mở 4 về bên phải.

Để tắt máy, đẩy công tắc Tắt/Mở 4 về bên trái.

Đối với khi ở nhiệt độ thấp, máy đạt hết công suất đập chỉ sau một thời gian cụ thể.

Thời gian khởi động này có thể rút ngắn lại bằng cách động mũi đục đã gắn trong máy xuống sàn nên một lần.

Để tiết kiệm năng lượng, chỉ cho dụng cụ điện hoạt động khi sử dụng.

Chỉnh Đặt Tần Suất Đập

Bộ phận điều khiển điện tử cho phép ta chọn đặt trước tốc độ thích ứng với loại vật liệu gia công mà không phải thông qua tuấn tự các bước tốc độ.

Bộ phận kiểm soát sự ổn định điện tử giữ cho tần suất đập đã chọn đặt trước gần như không đổi giữa có tải và không tải.

Chọn đặt tần suất đập bằng núm xoay 5 tùy theo loại vật liệu.

Thay Đổi Vị Trí Đục (Khóa nhiều vị trí)

Mũi đục có thể được khóa 12 ở nhiều vị trí khác nhau. Nhờ như vậy, ta có thể tạo tư thế thao tác tốt nhất cho từng ứng dụng.

Lắp mũi đục vào trong ổ lắp dụng cụ.

Đẩy vòng chỉnh đặt mũi đục **3** về phía trước và vận mũi đục về vị trí muốn đặt bằng vòng chỉnh đặt mũi đục **3**.

Thả vòng chỉnh đặt mũi đục ra **3** và vận mũi đục cho đến khi vào khớp.

Hướng Dẫn Sử Dụng

- ▶ **Trước khi tiến hành bất cứ việc gì trên máy, kéo phích cắm điện nguồn ra.**

Mài Bén Mũi Đục (xem hình C)

Chỉ có các mũi đục sắc bén mới tạo nên kết quả tốt; Vì vậy, hãy mài bén các dụng cụ đục đúng lúc. Việc làm này đảm bảo cho tuổi thọ của dụng cụ được bền và hiệu quả công việc được tốt.

Mài Bén Lại

Dùng đĩa mài để mài bén các dụng cụ đục (vd. đĩa có kết cấu sợi gốm và khoáng vật corundum) với sự tiếp nước liên tục. Các tiêu chuẩn để tham khảo được trình bày bằng các số liệu, điển giải. Đảm bảo ở cạnh cắt không xuất hiện màu sắc do tôi luyện gây ra; điều này làm non độ cứng của dụng cụ.

Để **gò**, trui mũi đục ở khoảng giữa 850 và 1050 °C (đỏ rực sang vàng).

Để **tôi cứng**, trui mũi đục ở nhiệt độ vào khoảng 900 °C và nhúng vào dầu nhớt. Sau đó nung trong bếp khoảng một tiếng đồng hồ với nhiệt độ ở 320 °C (màu sắt tôi ủ = xanh trời nhạt).

Bảo Dưỡng và Bảo Quản**Bảo Dưỡng Và Làm Sạch**

- ▶ **Trước khi tiến hành bất cứ việc gì trên máy, kéo phích cắm điện nguồn ra.**
- ▶ **Để được an toàn và máy hoạt động đúng chức năng, luôn luôn giữ máy và các khe thông gió được sạch.**
- ▶ **Chụp ngăn bụi bị hư hỏng phải được thay ra ngay lập tức. Chúng tôi khuyến nghị việc thay thế này do một đại lý phục vụ hậu mãi thực hiện.**

Nếu như cần phải thay dây dẫn điện thì công việc này phải do hãng Bosch, hay một đại lý được Bosch ủy nhiệm thực hiện để tránh gặp sự nguy hiểm do mất an toàn.

Đèn Cảnh Báo Hoạt Động 6

Khi chổi than đã mòn hết, máy tự tắt. Điều này được báo trước khoảng 8 giờ đồng hồ bằng sự sáng lên hay nhấp nháy của đèn cảnh báo hoạt động **6**. Sau

đó máy phải được mang đến đại lý phục vụ hậu mãi. Địa chỉ của các đại lý này được liệt kê trong Phần "Dịch Vụ Sau Khi Bán và Dịch Vụ Ứng Dụng".

Dịch Vụ Sau Khi Bán và Dịch Vụ Ứng Dụng

Trong mọi thư từ giao dịch và đơn đặt hàng phụ tùng, xin vui lòng luôn viết đủ 10 con số đã được ghi trên nhãn máy.

Bộ phận phục vụ hàng sau khi bán của chúng tôi sẽ trả lời các câu hỏi liên quan đến việc bảo trì và sửa chữa các sản phẩm cũng như các phụ tùng thay thế của bạn. Hình ảnh chi tiết và thông tin phụ tùng thay thế có thể tìm hiểu theo địa chỉ dưới đây:

www.bosch-pt.com

Bộ phận dịch vụ ứng dụng Bosch sẽ hân hạnh trả lời các câu hỏi liên quan đến các sản phẩm của chúng tôi và linh kiện của chúng.

Việt Nam

Công ty Trách Nhiệm Hữu Hạn Robert Bosch

Việt Nam, PT/SVN

Tầng 10, 194 Golden Building

473 Điện Biên Phủ

Phường 25, Quận Bình Thạnh

Thành Phố Hồ Chí Minh

Việt Nam

Tel.: (08) 6258 3690 Ext 413

Fax: (08) 6258 3692

hieuv.lagia@vn.bosch.com

www.bosch-pt.com

Thải bỏ

Máy, linh kiện và bao bì phải được phân loại để tái chế theo hướng thân thiện với môi trường.

Không được thải bỏ dụng cụ điện vào chung với rác sinh hoạt!

Được quyền thay đổi nội dung mà không phải thông báo trước.

