

Robert Bosch Power Tools GmbH
70538 Stuttgart
GERMANY

www.bosch-pt.com

1 609 92A 1V7 (2015.06) PS / 51 ASIA



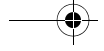
1 609 92A 1V7

GCO 14-24 Professional

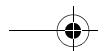
 **BOSCH**

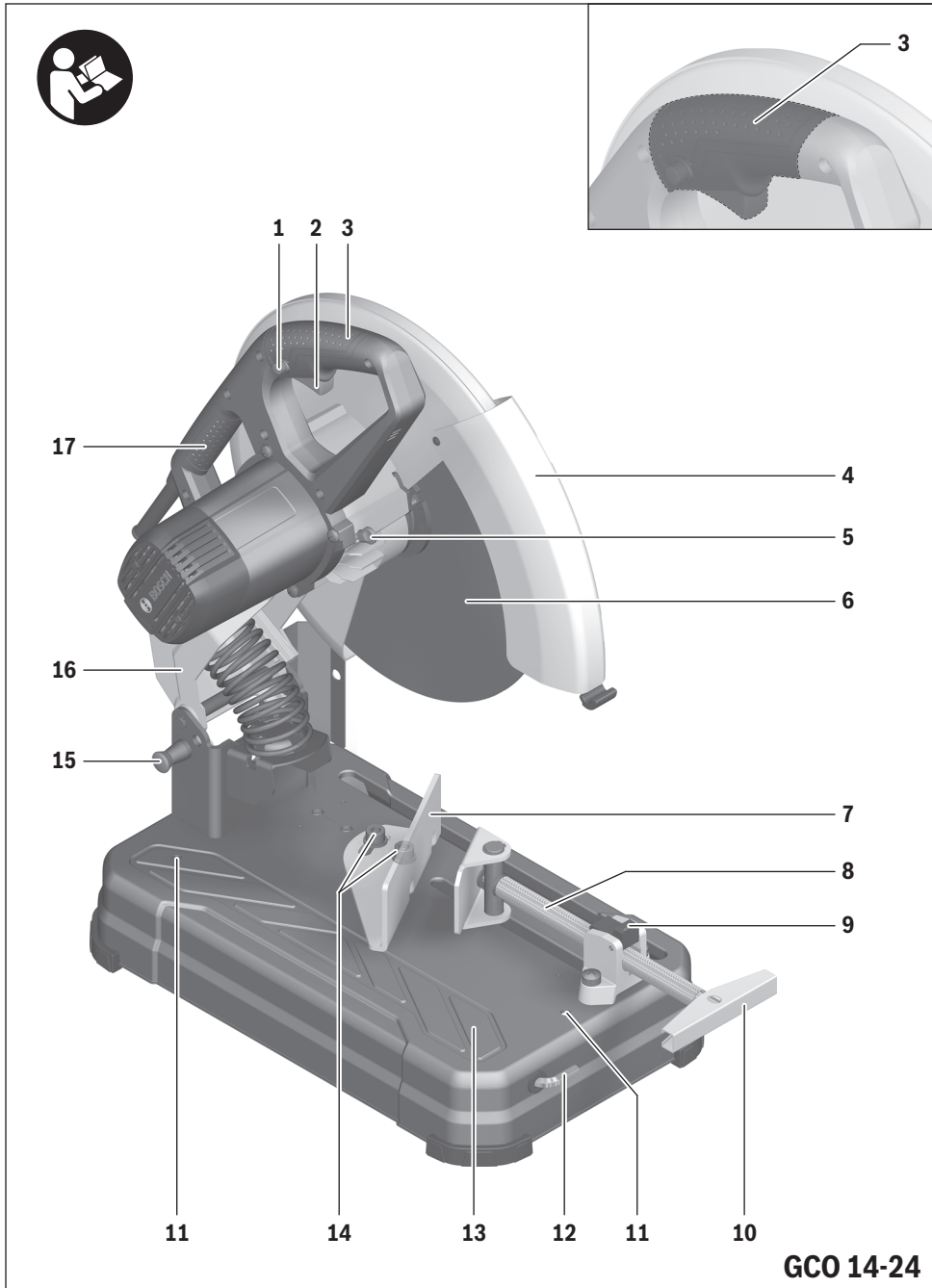
en Original instructions
cn 正本使用说明书
tw 原始使用說明書
ko 사용 설명서 원본
th หนังสือคู่มือการใช้งานฉบับต้นแบบ
id Petunjuk-Petunjuk untuk Penggunaan Orisinal
vi Bản gốc hướng dẫn sử dụng



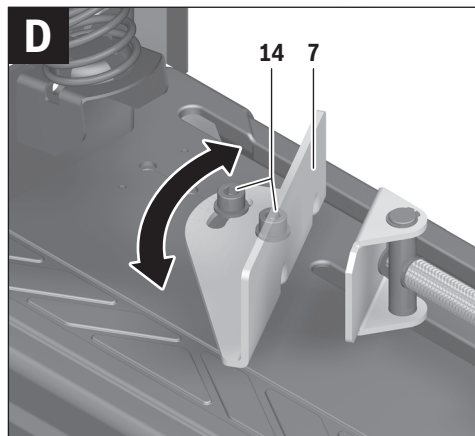
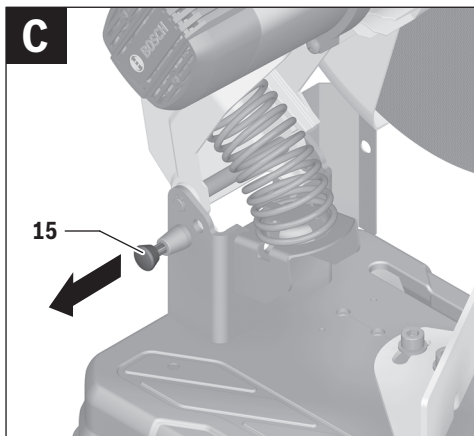
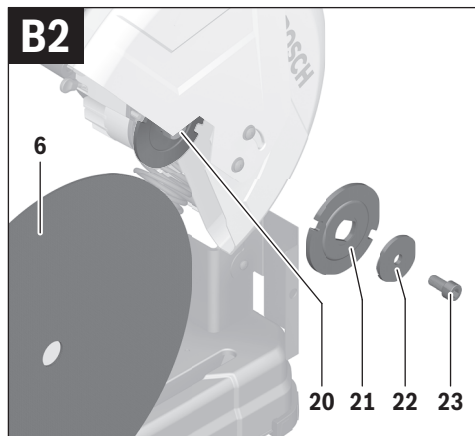
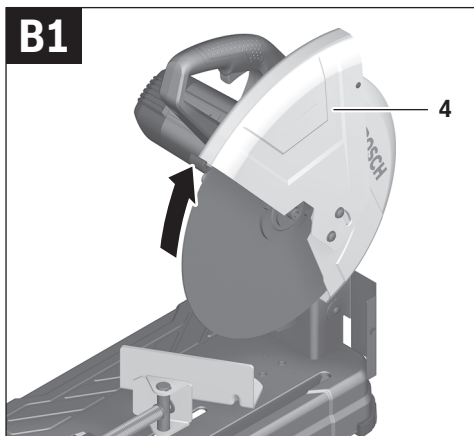
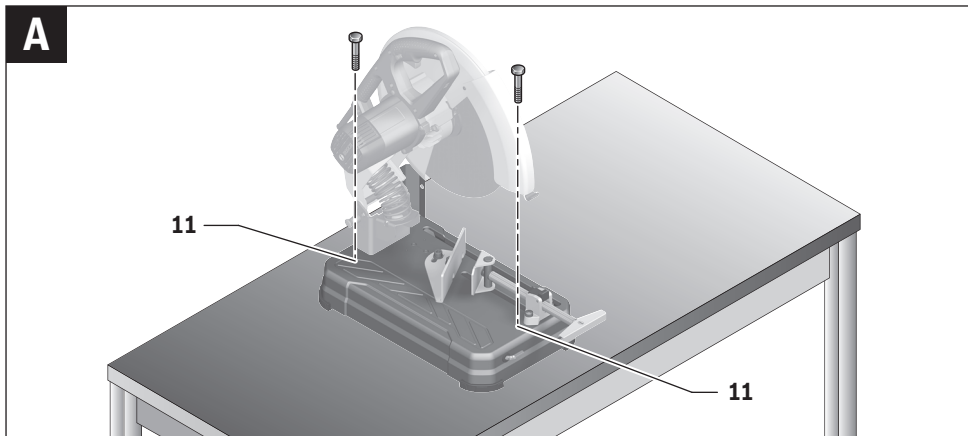


English	Page	7
中文	页	14
中文	頁	19
한국어	페이지	25
ภาษาไทย.....	หน้า	31
Bahasa Indonesia	Halaman	37
Tiếng Việt	Trang	44

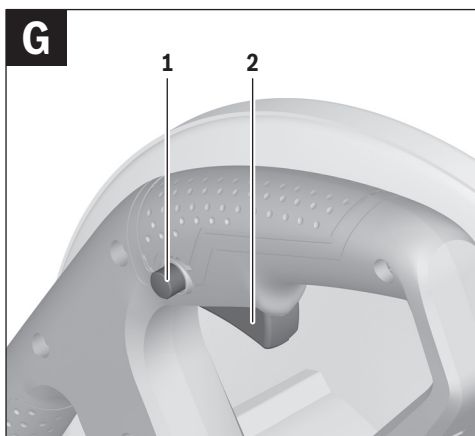
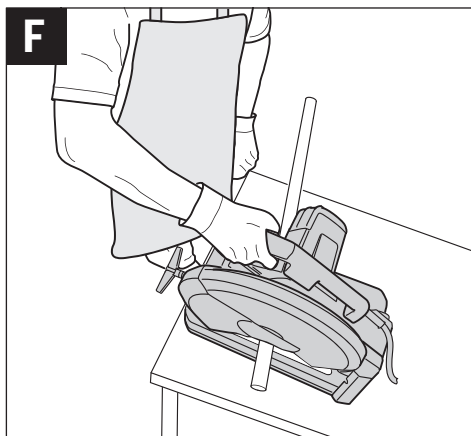
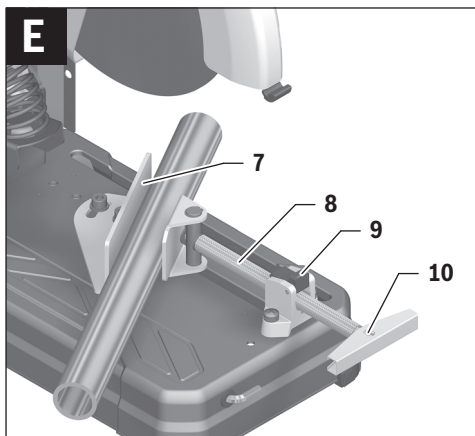








6 |



English

Safety Notes

General Power Tool Safety Warnings

⚠ IMPORTANT When using electric tools basic safety precautions should always be followed to reduce the risk of fire, electric shock and personal injury including the following.

Read all these instructions before attempting to operate this product and save these instructions.

The term "power tool" in the warnings refers to your mains-operated (corded) power tool or battery-operated (cordless) power tool.

Work area safety

- ▶ **Keep work area clean and well lit.** Cluttered or dark areas invite accidents.
- ▶ **Do not operate power tools in explosive atmospheres, such as in the presence of flammable liquids, gases or dust.** Power tools create sparks which may ignite the dust or fumes.
- ▶ **Keep children and bystanders away while operating a power tool.** Distractions can cause you to lose control.

Electrical safety

- ▶ **Power tool plugs must match the outlet. Never modify the plug in any way. Do not use any adapter plugs with earthed (grounded) power tools.** Unmodified plugs and matching outlets will reduce risk of electric shock.
- ▶ **Avoid body contact with earthed or grounded surfaces, such as pipes, radiators, ranges and refrigerators.** There is an increased risk of electric shock if your body is earthed or grounded.
- ▶ **Do not expose power tools to rain or wet conditions.** Water entering a power tool will increase the risk of electric shock.
- ▶ **Do not abuse the cord. Never use the cord for carrying, pulling or unplugging the power tool. Keep cord away from heat, oil, sharp edges and moving parts.** Damaged or entangled cords increase the risk of electric shock.
- ▶ **When operating a power tool outdoors, use an extension cord suitable for outdoor use.** Use of a cord suitable for outdoor use reduces the risk of electric shock.
- ▶ **If operating a power tool in a damp location is unavoidable, use a residual current device (RCD) protected supply.** Use of an RCD reduces the risk of electric shock.

Personal safety

- ▶ **Stay alert, watch what you are doing and use common sense when operating a power tool. Do not use a power tool while you are tired or under the influence of drugs, alcohol or medication.** A moment of inattention while operating power tools may result in serious personal injury.
- ▶ **Use personal protective equipment. Always wear eye protection.** Protective equipment such as dust mask, non-skid safety shoes, hard hat, or hearing protection used for appropriate conditions will reduce personal injuries.

- ▶ **Prevent unintentional starting. Ensure the switch is in the off-position before connecting to power source and/or battery pack, picking up or carrying the tool.** Carrying power tools with your finger on the switch or energising power tools that have the switch on invites accidents.
- ▶ **Remove any adjusting key or wrench before turning the power tool on.** A wrench or a key left attached to a rotating part of the power tool may result in personal injury.
- ▶ **Do not overreach. Keep proper footing and balance at all times.** This enables better control of the power tool in unexpected situations.
- ▶ **Dress properly. Do not wear loose clothing or jewellery. Keep your hair, clothing and gloves away from moving parts.** Loose clothes, jewellery or long hair can be caught in moving parts.
- ▶ **If devices are provided for the connection of dust extraction and collection facilities, ensure these are connected and properly used.** Use of dust collection can reduce dust-related hazards.

Power tool use and care

- ▶ **Do not force the power tool. Use the correct power tool for your application.** The correct power tool will do the job better and safer at the rate for which it was designed.
- ▶ **Do not use the power tool if the switch does not turn it on and off.** Any power tool that cannot be controlled with the switch is dangerous and must be repaired.
- ▶ **Disconnect the plug from the power source and/or the battery pack from the power tool before making any adjustments, changing accessories, or storing power tools.** Such preventive safety measures reduce the risk of starting the power tool accidentally.
- ▶ **Store idle power tools out of the reach of children and do not allow persons unfamiliar with the power tool or these instructions to operate the power tool.** Power tools are dangerous in the hands of untrained users.
- ▶ **Maintain power tools. Check for misalignment or binding of moving parts, breakage of parts and any other condition that may affect the power tool's operation. If damaged, have the power tool repaired before use.** Many accidents are caused by poorly maintained power tools.
- ▶ **Keep cutting tools sharp and clean.** Properly maintained cutting tools with sharp cutting edges are less likely to bind and are easier to control.
- ▶ **Use the power tool, accessories and tool bits etc. in accordance with these instructions, taking into account the working conditions and the work to be performed.** Use of the power tool for operations different from those intended could result in a hazardous situation.

Service

- ▶ **Have your power tool serviced by a qualified repair person using only identical replacement parts.** This will ensure that the safety of the power tool is maintained.

8 | English

Safety Warnings for Cut-off Grinder

- ▶ **Never stand on the power tool.** Serious injuries could occur when the power tool tips over or when accidentally coming into contact with the cutting disc.
- ▶ **Always use the blade guard.** A blade guard protects the user against broken off parts of the cutting disc and against accidental touching of the cutting disc.
- ▶ **Make sure that the guard operates properly and that it can move freely.** Never lock the guard in place when opened.
- ▶ **Use the power tool only for dry cutting.** Water penetrating into a power tool increases the risk of an electric shock.
- ▶ **Keep the mains cable away from rotating application tools.** The mains cable can be cut through or get caught.
- ▶ **Keep handles dry, clean, and free from oil and grease.** Greasy, oily handles are slippery causing loss of control.
- ▶ **Never remove cutting remainders, metal chips, etc. from the cutting area while the machine is running.** Always guide the tool arm back to the neutral position first and then switch the machine off.
- ▶ **Guide the cutting disc against the workpiece only when the machine is switched on.** Otherwise, there is danger of kickback, when the cutting disc becomes wedged in the workpiece.
- ▶ **Operate the power tool only when the work area to the workpiece is clear of any adjusting tools, metal chips, etc.** Small pieces of metal or other objects that come in contact with the rotating cutting disc can strike the operator with high speed.
- ▶ **Always firmly clamp the workpiece. Do not cut workpieces that are too small to clamp.** Otherwise, the clearance of your hand to the rotating cutting disc is too small.
- ▶ **If the cutting disc becomes jammed, switch the machine off and wait until the cutting disc comes to a complete stop. Never attempt to remove a still running cutting disc from the cut, otherwise there is danger of kickback.** Determine and correct the cause for the jamming.
- ▶ **After switching off, do not stop the cutting disc by applying lateral pressure to it.** The cutting disc can become damaged, break or lead to kickback.
- ▶ **Do not force the cutting disc into the workpiece and do not apply too much pressure when using the power tool. Particularly avoid jamming or wedging the cutting disc when working corners or sharp edges.** When the cutting disc is damaged due to abuse, cracks can form that can lead to breakage without prior warning.
- ▶ **Wear a work apron. Pay attention that other persons are not put at risk from sparking. Remove flammable materials in close vicinity.** Sparking occurs when cutting metal.
- ▶ **Use the cut-off grinder only for cutting materials mentioned under "Intended Use".** Otherwise, the cut-off grinder can be subject to overload.
- ▶ **Do not use damaged, out-of-centre or vibrating cutting discs.** Damaged cutting discs cause increased friction, binding of the cutting disc and kickback.
- ▶ **Always use cutting discs with correct size and shape (diamond versus round) of arbor holes.** Cutting discs that do not match the mounting hardware of the cut-off grinder will run eccentrically, causing loss of control.
- ▶ **Do not attach a saw chain woodcarving blade or toothed saw blade.** Such blades create frequent kickback and loss of control.
- ▶ **Observe the operating instructions of the cut-off wheel manufacturer for assembly and use of the cut-off wheel.** Cut-off wheels that do not fit can lead to injury as well as to jamming, breaking or kickback.
- ▶ **Do not use accessories which are not specifically designed and recommended by the tool manufacturer.** Just because the accessory can be attached to your power tool, it does not assure safe operation.
- ▶ **Do not touch the cutting disc after working before it has cooled.** The cutting disc becomes very hot while working.
- ▶ **Check the cable regularly and have a damaged cable repaired only through an authorised customer service agent for Bosch power tools. Replace damaged extension cables.** This will ensure that the safety of the power tool is maintained.
- ▶ **Store the machine in a safe manner when not being used. The storage location must be dry and lockable.** This prevents the machine from storage damage, and from being operated by untrained persons.
- ▶ **Secure the workpiece.** A workpiece clamped with clamping devices or in a vice is held more secure than by hand.
- ▶ **Never leave the machine before it has come to a complete stop.** Cutting tools that are still running can cause injuries.
- ▶ **Never use the machine with a damaged cable. Do not touch the damaged cable and pull the mains plug when the cable is damaged while working.** Damaged cables increase the risk of an electric shock.

Products sold in GB only: Your product is fitted with a BS 1363/A approved electric plug with internal fuse (ASTA approved to BS 1362).

If the plug is not suitable for your socket outlets, it should be cut off and an appropriate plug fitted in its place by an authorised customer service agent. The replacement plug should have the same fuse rating as the original plug. The severed plug must be disposed of to avoid a possible shock hazard and should never be inserted into a mains socket elsewhere.

Products sold in AUS and NZ only: Use a residual current device (RCD) with a rated residual current of 30 mA or less.

Symbols

The following symbols can be important for the operation of your power tool. Please memorise the symbols and their meanings. The correct interpretation of the symbols helps you operate the power tool better and more secure.

Symbol	Meaning
	► Keep hands away from the cutting area while the machine is running. Danger of injury when coming into contact with the cutting disc.
	► Wear ear protectors. Exposure to noise can cause hearing loss.
	► Wear safety goggles.
	► Wear a dust respirator.
	► Wear protective gloves.

Product Description and Specifications



Read all safety warnings and all instructions. Failure to follow the warnings and instructions may result in electric shock, fire and/or serious injury.

Intended Use

The machine is intended for stationary use with cutting discs to perform lengthways and crossways straight cuts or mitre cuts to 45° in metal materials without the use of water.

Product Features

The numbering of the components shown refers to the representation of the power tool on the graphic pages.

- 1 Lock-on button for On/Off switch
- 2 On/Off switch
- 3 Handle
- 4 Retracting blade guard
- 5 Spindle lock
- 6 Cutting disc
- 7 Angle stop

- 8 Clamping spindle
- 9 Quick-release button
- 10 Spindle handle
- 11 Mounting holes
- 12 Hex key (8 mm)
- 13 Base plate
- 14 Locking screw for angle stop
- 15 Transport safety-lock
- 16 Tool arm
- 17 Transport handle
- 18 Blade guard
- 19 Spark guard
- 20 Tool spindle
- 21 Clamping flange
- 22 Washer
- 23 Hexagon bolt

Accessories shown or described are not part of the standard delivery scope of the product. A complete overview of accessories can be found in our accessories program.

Technical Data

Cut-off grinder		GCO 14-24
Article number		3 601 M37 1..
Rated power input	W	2400
No-load speed	min ⁻¹	3800
Weight according to EPTA-Procedure 01/2003	kg	17
Protection class		□/II

Permissible workpiece dimensions (maximum/minimum) see page 11.

The values given are valid for a nominal voltage [U] of 230 V. For different voltages and models for specific countries, these values can vary.

Dimensions of suitable cutting discs

Cutting disc diameter, max.	mm	355
Cutting discs width, max.	mm	3
Mounting hole diameter	mm	25.4

Assembly

- **Avoid unintentional starting of the machine. During assembly and for all work on the machine, the power plug must not be connected to the mains supply.**

Delivery Scope

Carefully remove all parts included in the delivery from their packaging.

Remove all packaging material from the machine and the accessories provided.

Before starting the operation of the machine for the first time, check if all parts listed below have been supplied:

- Cut-off grinder with mounted cutting disc
- Hex key **12**

10 | English

Note: Check the power tool for possible damage. Before further use of the machine, check that all protective devices are fully functional. Any lightly damaged parts must be carefully checked to ensure flawless operation of the tool. All parts must be properly mounted and all conditions fulfilled that ensure faultless operation. Damaged protective devices and parts must be immediately replaced by an authorised service centre.

Stationary or Flexible Mounting

► **To ensure safe handling, the machine must be mounted on a level and stable surface (e. g., workbench) prior to using.**

Mounting to a Working Surface (see figure A)

– Fasten the power tool with suitable screw fasteners to the working surface. The mounting holes **11** serve for this purpose.

Flexible Mounting (not recommended!)

In the exceptional case that it should not be possible to firmly bench-mount the power tool, you can provisionally place the legs of base plate **13** on a suitable surface (e. g. a workbench, level floor, etc.) without bolting the machine down.

Changing the Tool (see figures B1 – B2)

► **Before any work on the machine itself, pull the mains plug.**

► **Actuate the spindle lock 5 only when the tool spindle 20 is stopped.** Otherwise, the machine can become damaged.

► **Do not touch the cutting disc after working before it has cooled.** The cutting disc becomes very hot while working.

Use only cutting discs that have an equal or higher maximal allowable speed than the no-load speed of your power tool.

Use only cutting discs that correspond to the characteristic data given in these operating instructions and are checked according to EN 12413 and marked appropriately.

Place unused cutting discs in an enclosed container or in the original packaging. Store cutting discs lying flat.

Removing the Cutting Disc

- Bring the power tool into the working position. (see "Releasing the Machine (Working Position)", page 10)
- Swing back the retracting blade guard **4** to the stop.
- Turn the hexagon bolt **23** using the hex key provided **12** and at the same time press the spindle lock **5** until it engages.
- Hold the spindle lock pressed and unscrew the hexagon bolt **23**.
- Remove the washer **22** and the clamping flange **21**.
- Remove the cutting disc **6**.

Installing the Cutting Disc

If required, clean all parts to be mounted prior to assembly.

- Mount the new cutting disc onto the tool spindle **20** in such a manner that its label faces away from the tool arm.
- Mount the clamping flange **21**, the washer **22** and the hexagon bolt **23**.

Press the spindle lock **5** until it engages and retighten the hexagon bolt **23** turning in clockwise direction. (Tightening torque approx. 18–20 Nm)

- Slowly guide the retracting blade guard **4** down until the cutting disc is covered off.
- Make sure that the retracting blade guard **4** operates properly.

After mounting the cutting disc and before switching on, check whether the cutting disc is properly mounted and if it can rotate freely.

- Make sure that the cutting disc does not graze against the retracting blade guard **4**, the blade guard **18** or against other parts.
- Run the machine for approx. 30 seconds. Should significant vibrations occur, switch off the machine immediately; remove and install the cutting disc again.

Operation

► **Before any work on the machine itself, pull the mains plug.**

Transport Safety (see figure C)

The transport safety-lock **15** enables easier handling of the machine when transporting to various working locations.

Releasing the Machine (Working Position)

- Push the tool arm by the handle **3** down a little in order to relieve the transport safety-lock **15**.
- Pull the transport safety-lock **15** completely outward.
- Guide the tool arm slowly upward.

Note: When working, pay attention that the transport safety-lock is not pushed inwards. Otherwise, the tool arm cannot be lowered to the requested depth.

Securing the Machine (Transport Position)

- Guide the tool arm downward until the transport safety-lock **15** can be pushed completely inward.

For additional information on transport, see page 12.

Adjusting the Cutting Angle (see figure D)

The mitre angle can be set in a range from 0° to 45°. Frequently used mitre angles are identified on the angle stop **7** with appropriate markings. The 0° and 45° position are set at the respective end stop.

- Loosen the locking screws **14** for the angle stop using the hex key provided **12** (8 mm).
- Adjust the desired angle and firmly tighten both locking screws **14** again.

Displacing the Angle Stop (see figure D and E)

When cutting workpieces wider than 140 mm, the angle stop **7** can be displaced to the rear.

- Completely unscrew the locking screws **14** using the hex key provided **12** (8 mm).
- Move the angle stop **7** toward the rear by one or two holes to the desired clearance.
- Adjust the desired angle and firmly tighten both locking screws **14** again.

Clamping the Workpiece (see figure E)

To ensure optimum working safety, the workpiece must always be firmly clamped.

Do not saw workpieces that are too small to clamp.

Long workpieces must be underlaid or supported at their free end.

- Place the workpiece against the angle stop **7**.
- Slide the clamping spindle **8** against the workpiece and firmly clamp the workpiece with the spindle handle **10**.

Loosening the Workpiece

- Loosen the spindle handle **10**.
- Tilt up the quick release **9** and pull the clamping spindle **8** away from the workpiece.

Starting Operation

► **Observe correct mains voltage! The voltage of the power source must agree with the voltage specified on the nameplate of the machine. Power tools marked with 230 V can also be operated with 220 V.**

► **Check the cutting disc before using. The cutting disc must be properly mounted and must rotate freely. Carry out a 30 second (min.) test run with no load. Do not use damaged, out-of-centre or vibrating cutting discs.** Damaged cutting discs can burst and cause injuries.

Dusts from materials such lead-containing coatings, minerals and metal can be harmful to one's health. Contact with or inhaling the dusts can trigger allergic reactions to the operator or bystanders and/or lead to respiratory infections.

Certain metal dusts are considered hazardous, especially in conjunction with alloys such as zinc, aluminium or chromium. Materials containing asbestos may only be worked by specialists.

- Provide for good ventilation of the working place.
- It is recommended to wear a P2 filter-class respirator.

Observe the relevant regulations in your country for the materials to be worked.

The blade can be blocked by dust, chips or workpiece fragments in the slot of the base plate **13**.

- Switch the machine off and pull the mains plug from the socket outlet.
 - Wait until the cutting disc has come to a complete stop.
 - Tilt the machine toward the rear, so that small workpiece fragments can fall out of the opening intended for this purpose.
- If required, use a suitable tool to remove all workpiece fragments.

► **Prevent dust accumulation at the workplace.** Dusts can easily ignite.

Position of the Operator (see figure F)

► **Do not stand in a line with the cutting disc in front of the machine. Always stand aside of the cutting disc.** This measure provides for better protection of your body against possible splinters in case of cutting disc breakage.

Switching On and Off (see figure G)

To save energy, only switch the power tool on when using it.

- To **start** the machine, press the On/Off switch **2** and keep it pressed.
- To lock the **pressed** On/Off switch **2**, press the lock-on button **1**.
- To **switch off** the machine, release the On/Off switch **2**. When the On/Off switch is locked on, press the On/Off switch through until the lock-on is disengaged and then release the On/Off switch.

Working Advice

General Cutting Instructions

► **Do not touch the cutting disc after working before it has cooled.** The cutting disc becomes very hot while working.

► **Make sure that the spark guard **19** is properly mounted.** Sparking occurs when cutting metal.

Protect the cutting disc against impact, shock and grease. Do not subject the cutting disc to lateral pressure.


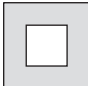
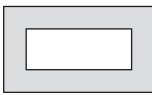

Do not strain the power tool so heavily that it comes to a standstill.

Excessive feed considerably reduces the performance capability of the machine and shortens the service life of the cutting disc.

Use only cutting discs that are suitable for the material to be worked.

Permissible Workpiece Dimensions

Maximum workpiece sizes:

Workpiece Form	Mitre/Bevel Angle	
	0°	45°
	129 Ø	128 Ø
	119 x 119	110 x 110
	100 x 196	107 x 115
	130 x 130	115 x 115

Minimum workpiece sizes

(= all workpieces that can be clamped via the clamping spindle **8**): Length 80 mm

Cutting depth, max. (0°/0°): 129 mm

12 | English**Cutting Metal**

- Set the desired mitre angle.
- Firmly clamp the workpiece as appropriate for its dimensions.
- Switch on the machine.
- Slowly guide the tool arm downward with the handle **3**.
- Cut the workpiece applying uniform feed.
- Switch the machine off and wait until the cutting disc comes to a complete stop.
- Guide the tool arm slowly upward.

Transport

- Always carry the power tool by its transport handle **17**.
- ▶ **The power tool should always be carried by two persons in order to avoid back injuries.**
- ▶ **When transporting the power tool, use only the transport devices and never use the protective devices.**

Maintenance and Service**Maintenance and Cleaning**

- ▶ **Before any work on the machine itself, pull the mains plug.**
- ▶ **Clean the ventilation slots of your power tool regularly with a soft brush.** The motor fan draws dust into the housing, and a large accumulation of metal dust can lead to electrical hazards.
- ▶ **In extreme conditions, always use dust extraction as far as possible. Blow out ventilation slots frequently and install a portable residual current device (PRCD).** When working metals, conductive dust can settle in the interior of the power tool. The total insulation of the power tool can be impaired.
- ▶ **Have maintenance and repair work performed only by qualified specialists.** In this manner, it can be ensured that the safety of the power tool is maintained.

If the replacement of the supply cord is necessary, this has to be done by Bosch or an authorized Bosch service agent in order to avoid a safety hazard.

The retracting blade guard must always be able to move freely and retract automatically. Therefore, always keep the area around the retracting blade guard clean.

Accessories

	Article number
Cutting discs for all metal materials	
Cutting disc 355 x 25.4 mm	2 608 600 208
Cutting disc 355 x 25.4 mm	2 608 600 223

After-sales Service and Application Service

Our after-sales service responds to your questions concerning maintenance and repair of your product as well as spare parts. Exploded views and information on spare parts can also be found under:

www.bosch-pt.com

Bosch's application service team will gladly answer questions concerning our products and their accessories.

In all correspondence and spare parts orders, please always include the 10-digit article number given on the nameplate of the product.

People's Republic of China**China Mainland**

Bosch Power Tools (China) Co., Ltd.
567, Bin Kang Road
Bin Jiang District 310052
Hangzhou, P. R. China
Service Hotline: 4008268484
Fax: (0571) 87774502
E-Mail: contact.ptcn@cn.bosch.com
www.bosch-pt.com.cn

HK and Macau Special Administrative Regions

Robert Bosch Hong Kong Co. Ltd.
21st Floor, 625 King's Road
North Point, Hong Kong
Customer Service Hotline: +852 2101 0235
Fax: +852 2590 9762
E-Mail: info@hk.bosch.com
www.bosch-pt.com.hk

Indonesia

PT Robert Bosch
Palma Tower 10th Floor
Jl. RA Kartini II-S Kaveling 6 Sek II
Pondok Pinang, Kebayoran Lama
Jakarta Selatan 12310
Indonesia
Tel.: (021) 3005 5800
Fax: (021) 3005 5801
E-Mail: boschpowertools@id.bosch.com
www.bosch-pt.co.id

Philippines

Robert Bosch, Inc.
28th Floor Fort Legend Towers,
3rd Avenue corner 31st Street,
Fort Bonifacio Global City,
1634 Taguig City, Philippines
Tel.: (02) 8703871
Fax: (02) 8703870
matheus.contiero@ph.bosch.com
www.bosch-pt.com.ph

Bosch Service Center:
9725-27 Kamagong Street
San Antonio Village
Makati City, Philippines
Tel.: (02) 8999091
Fax: (02) 8976432
E-Mail: rosalia.dagdagan@ph.bosch.com

Malaysia

Robert Bosch Sdn. Bhd.
 No. 8A, Jalan 13/6
 G.P.O. Box 10818
 46200 Petaling Jaya
 Selangor, Malaysia
 Tel.: (03) 79663194
 Fax: (03) 79583838
 E-Mail: cheehoe.on@my.bosch.com
 Toll-Free: 1800 880188
 www.bosch-pt.com.my

Thailand

Robert Bosch Ltd.
 Liberty Square Building
 No. 287, 11 Floor
 Silom Road, Bangrak
 Bangkok 10500
 Tel.: 02 6393111
 Fax: 02 2384783
 Robert Bosch Ltd., P. O. Box 2054
 Bangkok 10501, Thailand
 www.bosch.co.th

Bosch Service – Training Centre
 La Salle Tower Ground Floor Unit No.2
 10/11 La Salle Moo 16
 Srinakharin Road
 Bangkaew, Bang Plee
 Samutprakarn 10540
 Thailand
 Tel.: 02 7587555
 Fax: 02 7587525

Singapore

Powerwell Service Centre Ptd Ltd
 65 Ubi Crescent, #06-03 Hola Centre
 Singapore 408559
 Tel.: 6746 9770/71
 Fax: 6746 9760
 E-Mail: powerwellsc@gmail.com
 Toll-Free: 1800 3338333
 www.bosch-pt.com.sg

Vietnam

Robert Bosch Vietnam Co. Ltd
 13th Floor , 194 Golden Building
 473 Dien Bien Phu Street
 Ward 25, Binh Thanh District
 84 Ho Chi Minh City
 Vietnam
 Tel.: (08) 6258 3690
 Fax: (08) 6258 3692
 Hotline: (08) 6250 8555
 E-Mail: tuvankhachhang-pt@vn.bosch.com
 www.bosch-pt.com.vn
 www.baohanhbosch-pt.com.vn

Australia, New Zealand and Pacific Islands

Robert Bosch Australia Pty. Ltd.
 Power Tools
 Locked Bag 66
 Clayton South VIC 3169
 Customer Contact Center
 Inside Australia:
 Phone: (01300) 307044
 Fax: (01300) 307045
 Inside New Zealand:
 Phone: (0800) 543353
 Fax: (0800) 428570
 Outside AU and NZ:
 Phone: +61 3 95415555
 www.bosch-pt.com.au
 www.bosch-pt.co.nz

Egypt

Unimar
 20 Markaz kadmat
 El tagmoa EL Aoul – New Cairo
 Tel: +2 02 224 76091 - 95 / + 2 02 224 78072 - 73
 Fax: +2 02 224 78075
 E-Mail: adelzaki@unimaregypt.com

Ethiopia

Forever plc
 Kebele 2,754, BP 4806,
 Addis Ababa , Ethiopia
 Tel: +251 111 560 600, +251 111 560 600
 E-Mail: foreverplc@ethionet.et

Nigeria

C. Woermann Ltd.
 P.O. Box 318
 6, Badejo Kalesanwo Street
 Matori Industrial Estate
 Lagos, Nigeria
 Tel: +234 17 736 498, +234 17 730 904
 E-Mail: d.kornemann@woermann-nigeria.com

Republic of South Africa**Customer service**

Hotline: (011) 6519600

Gauteng – BSC Service Centre

35 Roper Street, New Centre
 Johannesburg
 Tel.: (011) 4939375
 Fax: (011) 4930126
 E-Mail: bsctools@icon.co.za

KZN – BSC Service Centre

Unit E, Almar Centre
 143 Crompton Street
 Pinetown
 Tel.: (031) 7012120
 Fax: (031) 7012446
 E-Mail: bsc.dur@za.bosch.com

14 | 中文

Western Cape – BSC Service Centre

Democracy Way, Prosperity Park
Milnerton

Tel.: (021) 5512577

Fax: (021) 5513223

E-Mail: bsc@zsd.co.za

Bosch Headquarters

Midrand, Gauteng

Tel.: (011) 6519600

Fax: (011) 6519880

E-Mail: rbsa-hq.pts@za.bosch.com

Disposal

The machine, accessories and packaging should be sorted for environmental-friendly recycling.

Do not dispose of power tools into household waste!

Subject to change without notice.

中文**安全规章****电动工具通用安全警告**

警告! 使用电动工具时，为了避免操作者遭受电击，避免操作者受伤和防止火灾，务必遵循以下的基本安全措施。

操作本电动工具以前，先阅读所有的指示并且要好好保存这些安全规章。

在安全规章中使用的术语“电动工具”，指的是市电驱动（有线）电动工具或电池驱动（无线）电动工具。

工作场地的安全

- ▶ **保持工作场地清洁和明亮。** 混乱和黑暗的场地会引发事故。
- ▶ **不要在易爆环境，如有易燃液体、气体或粉尘的环境下操作电动工具。** 电动工具产生的火花会点燃粉尘或气体。
- ▶ **让儿童和旁观者离开后操作电动工具。** 注意力不集中会使操作者失去对工具的控制。

电气安全

- ▶ **电动工具插头必须与插座相配。** 绝不能以任何方式改装插头。需接地的电动工具不能使用任何转换插头。未经改装的插头和相配的插座将减少电击危险。
- ▶ **避免人体接触接地表面，如管道、散热片和冰箱。** 如果你身体接地会增加电击危险。
- ▶ **不得将电动工具暴露在雨中或潮湿环境中。** 水进入电动工具将增加电击危险。
- ▶ **不得滥用电线。** 绝不能用电线搬运、拉动电动工具或拔出其插头。使电线远离热源、油、锐边或运动部件。受损或缠绕的软线会增加电击危险。

▶ **当在户外使用电动工具时，使用适合户外使用的外接软线。** 适合户外使用的软线将减少电击危险。

▶ **如果在潮湿环境下操作电动工具是不可避免的，应使用剩余电流动作保护器（RCD）。** 使用 RCD 可减小电击危险。

人身安全

- ▶ **保持警觉，当操作电动工具时关注所从事的操作并保持清醒。** 当你感到疲倦，或在有药物、酒精或治疗反应时，不要操作电动工具。在操作电动工具时瞬间的疏忽会导致严重人身伤害。
- ▶ **使用个人防护装置。** 始终佩戴护目镜。安全装置，诸如适当条件下使用防尘面具、防滑安全鞋、安全帽、听力防护等装置能减少人身伤害。
- ▶ **防止意外启动。** 确保开关在连接电源和 / 或电池盒、拿起或搬运工具时处于关断位置。手指放在已接通电源的开关上或开关处于接通时插入插头可能会导致危险。
- ▶ **在电动工具接通之前，拿掉所有调节钥匙或扳手。** 遗留在电动工具旋转零件上的扳手或钥匙会导致人身伤害。
- ▶ **手不要伸展得太长。** 时刻注意立足点和身体平衡。这样在意外情况下能很好地控制电动工具。
- ▶ **着装适当。** 不要穿宽松衣服或佩戴饰品。让衣服、手套和头发远离运动部件。宽松衣服、佩饰或长发可能会卷入运动部件中。
- ▶ **如果提供了与排屑、集尘设备连接用的装置，要确保他们连接完好且使用得当。** 使用这些装置可减少尘屑引起的危险。

电动工具使用和注意事项

- ▶ **不要滥用电动工具，根据用途使用适当的电动工具。** 选用适当设计的电动工具会使你工作更有效、更安全。
- ▶ **如果开关不能接通或关断工具电源，则不能使用该电动工具。** 不能用开关来控制的电动工具是危险的且必须进行修理。
- ▶ **在进行任何调节、更换附件或贮存电动工具之前，必须从电源上拔掉插头和 / 或使电池盒与工具脱离。** 这种防护性措施将减少工具意外启动的危险。
- ▶ **将闲置不用的电动工具贮存在儿童所及范围之外，并且不要让不熟悉电动工具或对这些说明不了解的人操作电动工具。** 电动工具在未经培训的用户手中是危险的。
- ▶ **保养电动工具。** 检查运动件是否调整到位或卡住，检查零件破损情况和影响电动工具运行的其他状况。如有损坏，电动工具应在使用前修理好。许多事故由维护不良的电动工具引发。
- ▶ **保持切削刀具锋利和清洁。** 保养良好的有锋利切削刃的刀具不易卡住而且容易控制。

- ▶ **按照使用说明书，考虑作业条件和进行的作业来使用电动工具、附件和工具的刀头等。** 将电动工具用于那些与其用途不符的操作可能会导致危险。

维修



- ▶ **将你的电动工具送交专业维修人员，使用同样的备件进行修理。** 这样将确保所维修的电动工具的安全性。

有关切割研磨机的安全规章

- ▶ **不可以站在电动工具上。** 如果电动工具突然翻倒或者不小心碰触切割片 都可能造成严重伤害。
- ▶ **务必使用防护罩。** 防护罩可以保护操作者免被切割片的碎片割伤，以及避免操作者意外碰触切割片。
- ▶ **检查防护罩的功能是否正常，移动防护罩时不会发生摩擦。** 不可以打开的状况下固定住防护罩。
- ▶ **本电动工具只适合乾式切割。** 如果水分渗入电动工具中可能造成触电。
- ▶ **电线必须远离旋转的刀具。** 电线可能被割断或被卷入刀具中。
- ▶ **握柄要保持干燥，干净并且上面不可以有油脂。** 沾满油脂的握柄很滑可能导致无法控制机器。
- ▶ **如果电动工具还在转动，千万不可以尝试清除切割范围内的切屑，金属屑或类似的杂物。** 务必先收回机臂，然后再关闭电动工具。
- ▶ **先开动机器再把切割片放在工件上。** 否则如果切割片被夹在工件中，会产生回击。
- ▶ **先确定工作范围内及工件上没有任何调整工具及金属屑，接著才可以操作电动工具。** 金属碎片或其它的物品如果接触了转动中的切割片 会快速弹开，即可能击伤操作者。
- ▶ **务必固定好工件，不可以加工因为体积太小而无法固定的工件。** 因为这样手和切割片之间的距离会太小。
- ▶ **如果切割片被夹住了，要立即关闭电动工具并静候，让切割片完全停止转动。如果切割片还继续转动，勿尝试着从切缝中拔出切割片，这样可能造成反击。** 确认并排除切割片被夹住的原因。
- ▶ **关机之后不可以使用侧压的方式制止 仍然继续旋转的切割片。** 切割片可能损坏，断裂或造成反击。
- ▶ **不可用力地将切割片撞向工件，使用电动工具时不可以施加太大的压力。在角落和锋利的边缘上操作时要避免切割片歪斜了。** 如果滥用切割片可能在切割片上造成裂痕，这些裂痕会在无预警的情况下让切割片破裂。
- ▶ **穿好工作围裙。勿让火花伤害任何人。清除工作地点附近的易燃物体。** 研磨金属时会产生火花。
- ▶ **本切割机只能切割制造商建议的物料。** 否则切割机可能会超荷。
- ▶ **不可以使用损坏，弯曲变形或转动时会震动的切割片。** 损坏的切割片在运转时会产生较大的摩擦力，容易被夹住并且造成回击。
- ▶ **使用有合适的接收孔（例如星形或圆形）而且尺寸正确的切割片。** 切割片如果无法配合砂轮切割机的接头，转动时会歪斜并且会造成操作失控。
- ▶ **不要附上锯链、木雕刀片或带齿锯片。** 这些锯片会产生频繁的反弹和失控。
- ▶ **注意切割片制造商提供的使用说明书中，关于安装切割片 和使用切割片的指示。** 使用不合适的切割片不仅容易造成伤害，而且切割片容易被夹住、断裂或产生反击。
- ▶ **不使用非工具制造商推荐和专门设计的附件。** 否则该附件可能被装到你的电动工具上，而它不能保证安全操作。
- ▶ **工作结束后，如果切割片尚未冷却，不可以触摸切割片。** 工作时切割片会变得非常灼热。
- ▶ **定期检查电线。** 损坏的电线只能交给博世电动工具授权的顾客服务处修理。更换损坏的延长电线。如此才能够确保电动工具的安全性能。
- ▶ **妥善保存好不使用的电动工具。存放处必须保持干燥并且能过上锁。** 这样能够防止电动工具在储藏过程中受损，或避免不会操作机器的人使用它。
- ▶ **固定好工件。** 使用固定装置或老虎钳固定工件，会比用手紧握工件更牢固。
- ▶ **工具未完全静止时，不可离开工具。** 如果工具仍继续转动，可能造成伤害。
- ▶ **勿使用电线已经损坏的电动工具。如果电源电线在工作中受损，千万不可触摸损坏的电线，并马上拔出插头。** 损坏的电线会提高使用者触电的危险。

代表符号

以下符号可以帮助您正确地使用本电动工具。请牢记各符号和它们的代表意思。正确了解各符号的代表意思，可以帮助您更有把握更安全地操作本电动工具。

符号	含义
	▶ 如果电动工具还在转动，千万不可以把手放入切割范围中。 触摸了切割片会被割伤。
	▶ 戴好耳罩。 暴露在噪声中会引起听力损伤。

16 | 中文

符号

含义



▶ 请佩戴护目镜。



▶ 请佩戴防尘面具。



▶ 佩戴工作手套。

产品和功率描述



阅读所有的警告提示和指示。 如未确实遵循警告提示和指示，可能导致电击、火灾并且 / 或其他的严重伤害。

按照规定使用机器

本电动工具为立式机器。在机器上安装切割片之后，可以在金属物料上进行纵向直线切割，横向直线切割以及最大弯角 45 度的弧形切割。切割时不要用水冲刷。

插图上的机件

机件的编号和电动工具详解图上的编号一致。

- 1 起停开关的锁紧键
- 2 起停开关
- 3 手柄
- 4 活动防护罩
- 5 主轴锁
- 6 切割片
- 7 角度挡块
- 8 固定丝杆
- 9 快速解锁
- 10 丝杆柄
- 11 安装孔
- 12 内六角扳手 (8 毫米)
- 13 底座
- 14 角度挡块的固定螺丝
- 15 搬运固定装置
- 16 机臂
- 17 搬运柄
- 18 防护罩
- 19 火花挡板

20 主轴

21 固定法兰

22 垫片

23 六角螺丝

图表或说明上提到的附件，并不包含在基本的供货范围中。本公司的附件清单中有完整的附件供应项目。

技术数据

切割机		GCO 14-24
物品代码		3 601 M37 1..
额定输入功率	瓦	2400
无负载转速	次 / 分	3800
重量符合		
EPTA-Procedure 01/2003	公斤	17
绝缘等级		□/II

许可的工件尺寸 (最大 / 最小) 参考页数 18。

本说明书提供的参数是以 230 V 为依据，于低电压地区，此数据有可能不同。

适合本机器的切割片尺寸

最大切割片直径	毫米	355
最大切割片厚度	毫米	3
接孔直径	毫米	25.4

安装

▶ 为了避免意外开动电动工具，安装锯片时，或进行电动工具的维护修理工作时，机器的插头都不可插在插座中。

供货范围

小心地从包装中取出所有的供货物品。

拆除电动工具和附带附件上的所有包装材料。

首度使用电动工具之前，先检查以下各部件是否包含在供货范围中。

- 安装了切割片的切割研磨机
- 内六角扳手 12

指示： 检查电动工具是否有损坏之处。

使用电动工具之前，必须详细检查防护装置或轻微损坏的零件是否仍然运作正常。检查活动性零件是否功能正常不会被夹住，以及该零件有否受损。所有的零件都必须安装正确，并且符合规定以确保机器的正常运作功能。

损坏的防护装置和零件必须按照规定交给合格的专业修理厂修理或更换。

固定或活动的安装方式

▶ 为了能够稳定地操作机器，正式使用机器之前，必须把电动工具固定在平坦、稳固的工作平面上 (例如工作桌)。

在工作平面上安装机器 (参考插图 A)

- 使用合适的螺丝把电动工具固定在工作平面上。固定时可以使用螺孔 11。

活动式安装 (不推荐 !)

如果情况特殊, 无法将电动工具固定在工作地点上, 可以借助底座 13 上的脚垫把机器放置在合适的底垫上 (例如工作台, 平坦的地板等), 如此便不需要锁紧电动工具。

更换工具 (参考插图 B1 - B2)

- ▶ **维修电动工具或换装零、配件之前, 务必从插座上拔出插头。**
- ▶ **启动主轴锁 5。只在主轴 20 完全静止后才可以启动, 否则可能损坏电动工具。**
- ▶ **工作结束后, 如果切割片尚未冷却, 不可以触摸切割片。** 工作时切割片会变得非常灼热。

切割片的最大许可转速, 必须等于或大于电动工具的无负载转速。

必须根据本说明书中提出的各项技术数据选择切割片。另外切割片上必须标示了通过 EN 12413 检验的标志。

把不使用的切割片放置在封闭的容器或原包装中。储存切割片时要采取平放的方式。

拆卸切割片

- 把电动工具调整在工作位置上。(参考 "解开电动工具的锁定 (工作位置)", 第 17 页)。
- 把活动防护罩 4 向后掀到尽头。
- 使用随附的内六角扳手 12 旋转六角螺丝 23, 同时按压主轴锁 5 直到卡入。
- 按住主轴锁并转出六角螺丝 23。
- 取出垫片 22 和固定法兰 21。
- 拆下切割片 6。

安装切割片

必要的话, 得在安装之前清洁所有的零部件。

- 把新的切割片装在主轴 20, 上, 切割片上的标贴必须 朝外, 即背向着机臂。
- 装上固定法兰 21、垫片 22 和六角螺丝 23。按压主轴锁 5 直到卡入, 然后朝顺时针方向重新拧紧六角螺丝 23。(拧紧扭力约为 18 - 20 牛顿米)
- 慢慢放下活动防护罩 4, 至遮盖住切割片为止。
- 要确定活动防护罩 4 能够正常地运作。

安装好切割片之后以及在开动机器之前, 必须检查是否已经正确地安装好切割片, 切割片是否能够无阻地旋转。

- 要确定切割片不会和活动防护罩 4, 防护罩 18 或其他零件产生摩擦。
- 先让电动工具运作约 30 秒。如果机器在运转时出现明显的震动, 必须马上关闭电动工具, 拆除切割片并且重新安装。

操作

- ▶ **维修电动工具或换装零、配件之前, 务必从插座上拔出插头。**

搬运固定装置 (参考插图 C)

搬运固定装置 15 可以减轻运输电动工具时的搬运工作。

解开电动工具的锁定 (工作位置)

- 握住手柄 3 并轻轻地下压机臂, 以便减轻搬运固定装置 15 的负荷。
- 向外拉出搬运固定装置 15。
- 慢慢向上提起机臂。

指示: 工作时必须注意, 不可以向内压入搬运固定装置, 如果搬运固定装置被内压了, 便无法把机臂降到需要的高度上。

锁定电动工具 (搬运位置)

- 放下机臂至能够把搬运固定装置 15 完全压入为止。

其他有关搬运的指示请参考页数 18。

调整斜角角度 (参考插图 D)

斜角角度的范围为 0 度到 45 度。

在角度挡块 7 上, 标示了重要的设定值。0 度角和 45 度角分别位在两个末端。

- 用随附的内六角扳手 12 (8 mm) 松开角度挡块的固定螺丝 14。
- 设定好需要的角度, 并再度拧紧两个固定螺丝 14。

移动角度挡块 (参考插图 D 和 E)

如果您要分割宽度大过 140 毫米的工件时, 可以向后移动角度挡块 7。

- 用随附的内六角扳手 12(8 mm) 完全旋出固定螺丝 14。
- 您可以根据需要的距离, 将角度挡块 7 向后移动一个钻孔或向后移动两个钻孔。
- 设定好需要的角度, 并再度拧紧两个固定螺丝 14。

固定工件 (参考插图 E)

为了确保工作安全务必固定好工件。

不可以加工因为体积太小而无法固定的工件。

长的工件的末端不可以悬空, 必须做好支撑的工作。

- 把工件靠在角度挡块 7 上。
- 把固定丝杆 8 推靠在工件上, 借助丝杆柄 10 夹紧工件。

放松工件

- 拧松丝杆柄 10。
- 掀开快速解锁 9, 抽出靠在工件上的固定丝杆 8。

18 | 中文

操作机器

- ▶ **注意电源的电压！**电源的电压必须和电动工具铭牌上标示的电压一致。
- ▶ **操作之前先检查切割片。**不仅要正确地安装好切割片，而且切割片必须能够无阻地旋转。必须进行至少 30 秒的无载试机。不可以使用已经损坏、变形或会震动的切割片。损坏的切割片可能会破裂并且造成伤害。

加工含铅的颜料以及矿物和金属所产生的废尘有害健康。机器操作者或者工地附近的人如果接触、吸入这些废尘，可能会有过敏反应并且 / 或者感染呼吸道疾病。

加工含铅的颜料以及矿物和金属所产生的废尘有害健康。机器操作者或者工地附近的人如果接触、吸入这些废尘，可能会有过敏反应并且 / 或者感染呼吸道疾病。

- 工作场所要保持空气流通。
- 最好佩戴 P2 滤网等级的口罩。

请留心并遵守贵国和加工物料有关的法规。

工作尘，废屑或工件的碎屑，可能造成切割片卡在底座 13 的开口中。

- 关闭电动工具，并且从插座中拔出插头。
 - 静候，待切割片完全停止旋转。
 - 向后翻转电动工具，以便让工件的废屑从开口中掉落。
- 必要时得使用合适的工具清除所有的工件废屑。

- ▶ **避免让工作场所堆积过多的尘垢。**尘埃容易被点燃。

操作者的位置（参考插图 F）

- ▶ **不可以和切割片成一直线站在电动工具的前方，必须站在切割片的旁边。**这样在切割片破裂时，才能够保护您的身体免受碎片割伤。

开动和关闭（参考插图 G）

为了节约能源，只在当您使用机器时，才开动电动工具。

- **开动** 机器，按住起停开关 2。
 - 按下锁紧键 1 即可**锁定**被按住的起停开关 2。
 - **放开** 起停开关 2 便可以关闭机器。
- 如果起停开关被锁定了，把开关按到底至锁定解除为止，接著再放开起停开关。

有关操作方式的指点**切割时的一般性提示**

- ▶ **工作结束后，如果切割片尚未冷却，不可以触摸切割片。**工作时切割片会变得非常灼热。
- ▶ **确定已经正确地安装好火花挡板 19。**研磨金属时会产生火花。


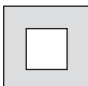
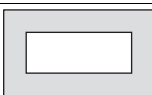
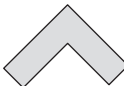
保护切割片免受冲、撞，切割片要远离油渍。不可以使用侧压的方式，制止切割片继续转动。

不可以让电动工具因为过度超荷而停止运转。操作机器时用力过猛，不仅会明显降低电动工具的功率，并且会缩短切割片的使用寿命。

根据工件选择合适的切割片。

许可的工件尺寸

最大 工件：

工件形状	斜锯角度	
	0°	45°
	129 Ø	128 Ø
	119 x 119	110 x 110
	100 x 196	107 x 115
	130 x 130	115 x 115

最小 工件

(= 所有能够被固定丝杆 8 固定的工件)：

长度 80 毫米

最大 锯割深度 (0° / 0°)：129 毫米

切割金属

- 设定好需要的斜锯角。
- 根据尺寸正确地固定好工件。
- 开动电动工具。
- 握住手柄 3 并慢慢地放下机臂。
- 使用均匀的推进力切割工件。
- 关闭电动工具并静候，让切割片完全停止转动。
- 慢慢向上提起机臂。

搬运

- 提电动工具时，一定要握着搬运柄 17。
- ▶ **必须两个人一起搬运电动工具，以避免伤害您的背部。**
- ▶ **搬动电动工具时只能使用搬运装置，不可以利用防护装置来搬运电动工具。**

维修和服务**维修和清洁**

- ▶ **维修电动工具或换装零、配件之前，务必从插座上拔出插头。**

- ▶ **定期使用软的刷子清洁电动工具的通气孔。** 马达的风扇会把灰尘吸入机壳中，如果囤积了大量的金属尘，会有触电的危险。
- ▶ **在某些极端的操作环境下，如果可能的话一定要使用吸尘装备。** 吹除通气孔中的污垢并且要使用故障电流保护开关（PRCD）。加工金属时可能在电动工具的内部堆积会导电的废尘。这样可能会影响电动工具的安全绝缘性能。
- ▶ **维护和修理的工作只能交给合格的专业电工执行。** 如此才能够确保电动工具的安全性能。

如果必须更换连接线，务必把这项工作交给博世或者经授权的博世电动工具顾客服务执行，以避免危害机器的安全性能。

活动防护罩必须能够无阻地来回摆动，并且要能够自动关闭，所以防护罩的四周必须随时保持清洁。

附件

物品代码

用于所有金属材料的切割片	
切割片 355 x 25.4 毫米	2 608 600 208
切割片 355 x 25.4 毫米	2 608 600 223

顾客服务处和顾客咨询中心

本公司顾客服务处负责回答有关本公司产品的修理、维护和备件的问题。以下的网页中有爆炸图 and 备件的资料：

www.bosch-pt.com

博世顾客咨询团队非常乐意为您解答有关本公司产品及附件的问题。

如需查询和订购备件，请务必提供产品型号铭牌上的10位数货号。

有关保证，维修或更换零件事宜，请向合格的经销商查询。

中国大陆

博世电动工具（中国）有限公司
 中国 浙江省 杭州市
 滨江区滨康路 567 号
 邮政编码：310052
 免费服务热线：4008268484
 传真：(0571) 87774502
 电邮：contact_ptcn@cn.bosch.com
www.bosch-pt.com.cn

羅伯特·博世有限公司
 香港北角英皇道 625 號 21 樓
 客戶服務熱線：+852 2101 0235
 傳真：+852 2590 9762
 電郵：info@hk.bosch.com
 網站：www.bosch-pt.com.hk

制造商地址：

Robert Bosch Power Tools GmbH
 罗伯特·博世电动工具有限公司
 70538 Stuttgart / GERMANY
 70538 斯图加特 / 德国

处理废弃物

必须以符合环保的方式，回收再利用损坏的机器、附件和废弃的包装材料。

不可以把电动工具丢入家庭垃圾中！

保留修改权。

中文

安全規章

電動工具通用安全警告

警告 使用電動工具時，為了避免操作者遭受電擊，避免操作者受傷和防止火災，務必遵循以下的基本安全措施。

操作本電動工具以前，先閱讀所有的指示並且要好好保存這些安全規章。

在安全規章中使用的術語“電動工具”，指的是市電驅動（有線）電動工具或電池驅動（無線）電動工具。

工作場地的安全

- ▶ **保持工作場地清潔和明亮。** 混亂和黑暗的場地會引發事故。
- ▶ **不要在易爆環境，如有易燃液體、氣體或粉塵的環境下操作電動工具。** 電動工具產生的火花會點燃粉塵或氣體。
- ▶ **讓兒童和旁觀者離開後操作電動工具。** 注意力不集中會使你失去對工具的控制。

電氣安全

- ▶ **電動工具插頭必須與插座相配。** 絕不能以任何方式改裝插頭。需接地的電動工具不能使用任何轉換插頭。未經改裝的插頭和相配的插座將減少電擊危險。
- ▶ **避免人體接觸接地表面，如管道、散熱片和冰箱。** 如果你身體接地會增加電擊危險。
- ▶ **不得將電動工具暴露在雨中或潮濕環境中。** 水進入電動工具將增加電擊危險。
- ▶ **不得濫用電線。** 絕不能用電線搬運、拉動電動工具或拔出其插頭。使電線遠離熱源、油、銳邊或運動部件。受損或纏繞的軟線會增加電擊危險。
- ▶ **當在戶外使用電動工具時，使用適合戶外使用的外接軟線。** 適合戶外使用的軟線，將減少電擊危險。

20 | 中文

- ▶ 如果在潮濕環境下操作電動工具是不可避免的，應使用剩餘電流動作保護器（RCD）。使用 RCD 可減小電擊危險。

人身安全

- ▶ 保持警覺，當操作電動工具時關注所從事的操作並保持清醒。當你感到疲倦，或在有藥物、酒精或治療反應時，不要操作電動工具。在操作電動工具時瞬間的疏忽會導致嚴重人身傷害。
- ▶ 使用個人防護裝置。始終佩戴護目鏡。安全裝置，諸如適當條件下使用防塵面具、防滑安全鞋、安全帽、聽力防護等裝置能減少人身傷害。
- ▶ 防止意外起動。確保開關在連接電源和 / 或電池盒、拿起或搬運工具時處於關斷位置。手指放在已接通電源的開關上或開關處於接通時插入插頭可能會導致危險。
- ▶ 在電動工具接通之前，拿掉所有調節鑰匙或扳手。遺留在電動工具旋轉零件上的扳手或鑰匙會導致人身傷害。
- ▶ 手不要伸展得太長。時刻注意立足點和身體平衡。這樣在意外情況下能很好地控制電動工具。
- ▶ 著裝適當。不要穿寬鬆衣服或佩戴飾品。讓你的衣服、手套和頭髮遠離運動部件。寬鬆衣服、佩飾或長髮可能會捲入運動部件中。
- ▶ 如果提供了與排屑、集塵設備連接用的裝置，要確保他們連接完好且使用得當。使用這些裝置可減少塵屑引起的危險。

電動工具使用和注意事項

- ▶ 不要濫用電動工具，根據用途使用適當的電動工具。選用適當設計的電動工具會使你工作更有效、更安全。
- ▶ 如果開關不能接通或關斷工具電源，則不能使用該電動工具。不能用開關來控制的電動工具是危險的且必須進行修理。
- ▶ 在進行任何調節、更換附件或貯存電動工具之前，必須從電源上拔掉插頭和 / 或使電池盒與工具脫開。這種防護性措施將減少工具意外起動的危險。
- ▶ 將閒置不用的電動工具貯存在兒童所及範圍之外，並且不要讓不熟悉電動工具或對這些說明不瞭解的人操作電動工具。電動工具在未經培訓的用戶手中是危險的。
- ▶ 保養電動工具。檢查運動件是否調整到位或卡住，檢查零件破損情況和影響電動工具運行的其他狀況。如有損壞，電動工具應在使用前修理好。許多事故由維護不良的電動工具引發。
- ▶ 保持切割刀具鋒利和清潔。保養良好的有鋒利切割刃的刀具不易卡住而且容易控制。
- ▶ 按照使用說明書，考慮作業條件和進行的作業來使用電動工具、附件和工具的刀頭等。將電動工具用於那些與其用途不符的操作可能會導致危險。

檢修

- ▶ 將你的電動工具送交專業維修人員，必須使用同樣的備件進行更換。這樣將確保所維修的電動工具的安全性。



有關切割研磨機的安全規章

- ▶ 不可以站在電動工具上。如果電動工具突然翻倒或者不小心碰觸切割片 都可能造成嚴重傷害。
- ▶ 務必使用防護罩。防護罩可以保護操作者免被切割片的碎片割傷，以及避免操作者意外碰觸切割片。
- ▶ 檢查防護罩的功能是否正常，移動防護罩時會不會發生磨擦。不可以打開的狀況下固定住防護罩。
- ▶ 本電動工具只適合乾式切割。如果水分滲入電動工具中，可能造成觸電。
- ▶ 電線必須遠離旋轉的刀具。電線可能被割斷或被卷入刀具中。
- ▶ 握柄要保持干燥，干淨並且上面不可以有油脂。沾滿油脂的握柄很滑可能導致無法控制機器。
- ▶ 如果電動工具還在轉動，千萬不可以嘗試清除切割範圍中的切屑，金屬屑或類似的雜物。務必先收回機臂，然後再關閉電動工具。
- ▶ 先開動機器再把切割片放在工件上。否則如果切割片被夾在工件中，會產生回擊。
- ▶ 先確定工作範圍內及工件上沒有任何調整工具及金屬屑，接著才可以操作電動工具。金屬碎片或其它的物品如果接觸了轉動中的切割片 會快速彈開，即可能擊傷操作者。
- ▶ 務必固定好工件。不可以加工因為體積太小而無法固定的工件。因為這樣手和切割片之間的距離會太小。
- ▶ 如果切割片被夾住了，要立即關閉電動工具並靜候，讓切割片完全停止轉動。如果切割片還繼續轉動，勿嘗試從切縫中拔出切割片，這樣可能造成反擊。確認並排除切割片被夾住的原因。
- ▶ 關機之後不可以使用側壓的方式制止 仍然繼續旋轉的切割片。切割片可能損壞，斷裂或造成反擊。
- ▶ 不可用力地將切割片撞向工件，使用電動工具時不可以施加太大的壓力。在角落和鋒利的邊緣上操作時要避免切割片歪斜了。如果濫用切割片可能在切割片上造成裂痕，這些裂痕會在無預警的情況下讓切割片破裂。
- ▶ 穿好工作圍裙。勿讓火花傷害任何人。清除工作地點附近的易燃物體。研磨金屬時會產生火花。
- ▶ 本切割機只能切割製造商建議的物料。否則切割機會超荷。
- ▶ 不可以使用損壞、彎曲變形或轉動時會震動的切割片。損壞的切割片在運轉時會產生較大的磨擦力，容易被夾住並且造成回擊。

- ▶ **請使用定位孔規格吻合（例如菱形或圓形）而且尺寸正確的鋸片。** 鋸片如果與砂輪機的安装接頭並不匹配，旋轉時便會抖動歪斜，進而導致機具失控。
- ▶ **不要附裝上鋸鏈、木雕刀片或帶齒鋸片。** 這些鋸片會產生頻繁的反彈和失控。
- ▶ **安裝和使用切割片時，要確實遵守切割片制造商提供的使用說明書。** 不合適的切割片會造成傷害，切割時會被卡住，會斷裂或者導致反擊。
- ▶ **不使用非工具制造商推薦和專門設計的附件。** 否則該附件可能被裝到你的電動工具上，而它不能保證安全操作。
- ▶ **工作結束後，如果切割片尚未冷卻，不可以觸摸切割片。** 工作時切割片會變得非常灼熱。
- ▶ **定期檢查電線。** 損壞的電線只能交給博世電動工授權的顧客服務處修理。更換損壞的延長電線。如此才能夠確保電動工具的安全性能。
- ▶ **妥善保存好不使用的電動工具。** 存放處必須保持干燥並且能過上鎖。這樣能夠防止電動工具在儲藏過程中受損，或避免不會操作機器的人使用它。
- ▶ **固定好工件。** 使用固定裝置或老虎鉗固定工件，會比用手持握工件更牢固。
- ▶ **工具未完全靜止時，不可離開工具。** 如果工具仍繼續轉動，可能造成傷害。
- ▶ **勿使用電線已經損壞的電動工具。** 如果電源電線在工作中受損，千萬不可觸摸損壞的電線，並馬上拔出插頭。損壞的電線會提高使用者觸電的危險。

代表符號

以下符號可以幫助您正確地使用本電動工具。請牢記各符號和它們的代表意思。正確了解各符號的代表意思，可以幫助您更有把握更安全地操作本電動工具。

符號	含義
	▶ 如果電動工具還在轉動，千萬不可以把手放入切割範圍中。 觸摸了切割片會被割傷。
	▶ 佩戴耳罩。 工作噪音會損壞聽力。
	▶ 請佩戴護目鏡。
	▶ 請佩戴防塵面具。

符號

含義



- ▶ **佩戴工作手套。**

產品和功率描述



閱讀所有的警告提示和指示。 如未確實遵循警告提示和指示，可能導致電擊、火災並且 / 或其他的嚴重傷害。

按照規定使用機器

本電動工具為立式機器。在機器上安裝切割片之後，可以在金屬物料上進行縱向直線切割，橫向直線切割以及最大彎角 45 度的弧形切割。切割時不要用水沖刷。

插圖上的機件

機件的編號和電動工具詳解圖上的編號一致。

- 1 起停開關的鎖緊鍵
- 2 起停開關
- 3 手柄
- 4 活動防護罩
- 5 主軸鎖
- 6 切割片
- 7 角度擋塊
- 8 固定絲桿
- 9 快速解鎖
- 10 絲桿柄
- 11 安裝孔
- 12 內六角扳手 (8 毫米)
- 13 底座
- 14 角度擋塊的固定螺絲
- 15 搬運固定裝置
- 16 機臂
- 17 搬運柄
- 18 防護罩
- 19 火花擋板
- 20 主軸
- 21 固定法蘭
- 22 墊片
- 23 墊片

圖表或說明上提到的附件，並不包含在基本的供貨範圍中。本公司的附件清單中有完整的附件供應項目。

22 | 中文

技術性數據

切割機		GCO 14-24
物品代碼		3 601 M37 1..
額定輸入功率	瓦	2400
無負載轉速	次 / 分	3800
重量符合		
EPTA-Procedure 01/2003	公斤	17
絕緣等級		□/

許可的工件尺寸（最大 / 最小）參考頁數 24。

本說明書提供的參數是以 230 伏特為依據，於低電壓地區，此數據有可能不同。

適合本機器的切割片尺寸

最大切割片直徑	毫米	355
最大切割片厚度	毫米	3
接孔直徑	毫米	25.4

安裝

▶ 為了避免意外開動電動工具，安裝切割片時，或進行電動工具的維護修理工作時，機器的插頭都不能插在插座中。

供貨範圍

小心地從包裝中取出所有的供貨物品。

拆除電動工具和附帶附件上的所有包裝材料。

首度使用電動工具之前，先檢查以下各部件是否包含在供貨範圍中：

- 安裝了切割片的切割研磨機
- 內六角扳手 12

指示： 檢查電動工具是否有壞損之處。

使用電動工具之前，必須詳細檢查防護裝置或輕微損壞的零件是否仍然運作正常。檢查活動性零件是否能正常不會被夾住，以及該零件有否受損。所有的零件都必須安裝正確，並且符合規定以確保機器的正常運作功能。

損壞的防護裝置和零件必須按照規定交給合格的專業修理廠修理或更換。

固定或活動的安裝方式

▶ 為了能夠穩定地操作機器，正式使用機器之前，必須把電動工具固定在平坦、穩固的工作平面上（例如工作桌）。

在工作平面上安裝機器（參考插圖 A）

- 使用合適的夾鉗把電動工具固定在工作平面上。固定時必須使用孔 11。

活動式安裝（不推薦！）

如果情況特殊，無法將電動工具固定在工作地點上，可以借助底座 13 上的腳墊把機器放置在合適的底墊上（例如工作台，平坦的地板等），如此便不需要鎖緊電動工具。

更換工具（參考插圖 B1 - B2）

▶ 維修電動工具或換裝零、配件之前，務必從插座上拔出插頭。

▶ 啟動主軸鎖 5。只在主軸 20 完全靜止後才可以啟動，否則可能損壞電動工具。

▶ 工作結束後，如果切割片尚未冷卻，不可以觸摸切割片。工作時切割片會變得非常灼熱。

切割片的最大許可轉速，必須等於或大於電動工具的無負載轉速。

必須根據本說明書中提出的各項技術數據選擇切割片。另外切割片上必須標示了通過 EN 12413 檢驗的標志。

把不使用的切割片放置在封閉的容器或原包裝中。儲存切割片時要採取平放的方式。

拆卸切割片

- 把電動工具調整在工作位置上。"解開電動工具的鎖定（工作位置）"，第 23 頁）。
- 把活動防護罩 4 向後掀到盡頭。
- 請用隨附的內六角扳手 12 旋轉六角螺栓 23，並同時按下主軸鎖 5，直到卡緊為止。
- 按住主軸鎖並轉出六角螺絲 23。
- 取出墊片 22 和固定法蘭 21。
- 拆下切割片 6。

安裝切割片

必要的話，得在安裝之前清潔所有的零部件。

- 把新的切割片裝在主軸 20 上，切割片上的標貼必須朝外，即背向著機臂。
- 裝上固定法蘭 21、墊片 22 及六角螺栓 23。按壓主軸鎖 5 並讓它卡緊，接著再將六角螺栓 23 沿順時針方向重新鎖緊。（擰緊扭力約為 18 - 20 牛頓米）
- 慢慢放下活動防護罩 4，至遮蓋住切割片為止。
- 要確定活動防護罩 4 能夠正常地運作。

安裝好切割片之後以及在開動機器之前，必須檢查是否已經正確地安裝好切割片，切割片是否能夠無阻地旋轉。

- 要確定切割片不會和活動防護罩 4，防護罩 18 或其他的零件產生磨擦。
 - 先讓電動工具運作約 30 秒。
- 如果機器在運轉時出現明顯的震動，必須馬上關閉電動工具，拆除切割片並且重新安裝。

操作

▶ 維修電動工具或換裝零、配件之前，務必從插座上拔出插頭。

搬運固定裝置（參考插圖 C）

搬運固定裝置 15 可以減輕運輸電動工具時的搬運工作。

解開電動工具的鎖定（工作位置）

- 握住手柄 3 並輕輕地下壓機臂，以便減輕搬運固定裝置 15 的負荷。
- 向外拉出搬運固定裝置 15。
- 慢慢向上提起機臂。

指示：工作時必須注意，不可以向內壓入搬運固定裝置，如果搬運固定裝置被內壓了，便無法把機臂降到需要的高度上。

鎖定電動工具（搬運位置）

- 放下機臂至能夠把搬運固定裝置 15 完全壓入為止。

其他有關搬運的指示請參考頁數 24。

調整斜角角度（參考插圖 D）

斜角角度的範圍為 0 度到 45 度。在角度擋塊 7 上，標示了常用的設定值。0 度角和 45 度角分別位在兩個盡端擋塊上。

- 使用隨附的內六角扳手 12（開口度 8 mm）鬆開角度擋塊的止付螺絲 14。
- 設定好需要的角度，並再度擰緊兩個固定螺絲 14。

移動角度擋塊（參考插圖 D 和 E）

如果您要分割寬度大過 140 毫米的工件時，可以向後移動角度擋塊 7。

- 使用隨附的內六角扳手 12（開口度 8 mm）將止付螺絲 14 完全轉出來。
- 您可根據需要的距離，將角度擋塊 7 向後移動一個鑽孔或向後移動兩個鑽孔。
- 設定好需要的角度，並再度擰緊兩個固定螺絲 14。

固定工件（參考插圖 E）

為了確保工作安全務必固定好工件。不可以加工因為體積太小而無法固定的工件。

長的工件的末端不可以懸空，必須做好支撐的工作。

- 把工件靠在角度擋塊 7 上。
- 把固定絲桿 8 推靠在工件上，借助絲桿柄 10 夾緊工件。

放鬆工件

- 擰松絲桿柄 10。
- 掀開快速解鎖 9，抽出靠在工件上的固定絲桿 8。

操作機器

- ▶ **注意電源的電壓！**電源的電壓必須和電動工具銘牌上標示的電壓一致。
- ▶ **操作之前先檢查切割片。**不僅要正確地安裝好切割片，而且切割片必須能夠無阻地旋轉。必須進行至少 30 秒的無載試機。不可以使用已經損壞、變形或會震動的切割片。損壞的切割片可能會破裂並且造成傷害。

加工含鉛的顏料以及礦物和金屬所產生的廢塵 有害健康。機器操作者或者工地附近的人如果接觸、吸入這些廢塵，可能會有過敏反應並且 / 或者感染呼吸道疾病。

某些金屬廢塵被列為危險物質，尤其是和合金（例如鋅、鉛和鉻等）結合之後。只有經過專業訓練的人才能夠加工含石棉的物料。

- 工作場所要保持空氣流通。
- 最好佩戴 P2 濾網等級的口罩。

請留心並遵守貴國和加工物料有關的法規。

工作塵，廢屑或工件的碎屑，可能造成切割片卡在底座 13 的開口中。

- 關閉電動工具，並且從插座中拔出插頭。
- 靜候，待切割片完全停止旋轉。
- 向後翻轉電動工具，以便讓工件的廢屑從開口中掉落。

必要時得使用合適的工具清除所有的工件廢屑。

▶ **避免讓工作場所堆積過多的塵垢。**塵埃容易被點燃。

操作者的位置（參考插圖 F）

▶ **不可以和切割片成一直線站在電動工具的前方，必須站在切割片的旁邊。**這樣在切割片破裂時，才能夠保護您的身體免受碎片割傷。

開動和關閉（參考插圖 G）

為了節約能源，只在當您要使用機器時，才開動電動工具。

- **開動** 機器，按住起停開關 2。
 - 按下鎖緊鍵 1 即可**鎖定**被按住的起停開關 2。
 - **放開** 起停開關 2 便可以關閉機器。
- 如果起停開關被鎖定了，把開關按到底至鎖定解除為止，接著再放開起停開關。

有關操作方式的指點**切割時的一般性提示**

- ▶ **工作結束後，如果切割片尚未冷卻，不可以觸摸切割片。**工作時切割片會變得非常灼熱。
- ▶ **確定已經正確地安裝好火花擋板 19。**研磨金屬時會產生火花。

保護切割片免受衝，撞，切割片要遠離油漬。不可以使用側壓的方式，制止切割片繼續轉動。


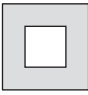
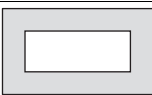
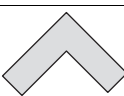
不可以讓電動工具因為過度超荷而停止運轉。操作機器時用力過猛，不僅會明顯降低電動工具的功率，並且會縮短切割片的使用壽命。

根據工件選擇合適的切割片。

24 | 中文

許可的工件尺寸

最大 工件：

工件形狀	斜割角度	
	0°	45°
	129 Ø	128 Ø
	119 x 119	110 x 110
	100 x 196	107 x 115
	130 x 130	115 x 115

最小 工件

(= 所有能夠被固定絲杆 8 固定的工件)：

長度 80 毫米

最大編割深度 (0° / 0°)：129 毫米

切割金屬

- 設定好需要的斜鋸角。
- 根據尺寸固定好工件。
- 開動電動工具。
- 握住手柄 3 並慢慢地放下機臂。
- 使用均勻的推進力切割工件。
- 關閉電動工具並靜候，讓切割片完全停止轉動。
- 慢慢向上提起機臂。

搬運

- 提電動工具時，一定要握著搬運柄 17。
- ▶ 一定要兩個人一起搬運電動工具，以便防止背部受傷。
- ▶ 搬動電動工具時只能使用搬運裝置。不可以利用防護裝置來搬運電動工具。

維修和服務

維修和清潔

- ▶ 維修電動工具或換裝零、配件之前，務必從插座上拔出插頭。
- ▶ 定期使用軟的刷子清潔電動工具的通氣孔。馬達的風扇會把灰塵吸入機殼中，如果囤積了大量的金屬塵，會有觸電的危險。
- ▶ 在某些極端的操作環境下，如果可能的話一定要使用吸塵裝備。時常將通氣孔上累積的塵垢噴吹乾

淨，並在前側加設漏電斷路器 (PRCD)。加工金屬時可能在電動工具的內部堆積會導電的廢塵。這樣可能會影響電動工具的安全絕緣性能。

▶ 維護和修理的工作只能交給合格的專業電工執行。

如此才能夠確保電動工具的安全性。

如果必須更換連接線，務必把這項工作交給博世或 者經授權的博世電動工具顧客服務執行，以避免危害機器的安全性。

活動防護罩必須能夠無阻地來回擺動，並且要能夠自動關閉，所以防護罩的四周必須隨時保持清潔。

附件

物品代碼

適用於任何金屬材質的鋸片

切割片 355 x 25.4 毫米 2 608 600 208

切割片 355 x 25.4 毫米 2 608 600 223

顧客服務處和顧客諮詢中心

本公司顧客服務處負責回答有關本公司產品的修理、維護和備件的問題。以下的網頁中有爆炸圖和備件的資料：

www.bosch-pt.com

博世顧客諮詢團隊非常樂意為您解答有關本公司產品及附件的問題。

當您需要諮詢或訂購備用零組件時，請務必提供本產品型號銘牌上的 10 位項目編號。

台灣

台灣羅伯特博世股份有限公司

建國北路一段 90 號 6 樓

台北市 10491

電話：(02) 2515 5388

傳真：(02) 2516 1176

www.bosch-pt.com.tw

制造商地址：

Robert Bosch Power Tools GmbH

羅伯特·博世電動工具有限公司

70538 Stuttgart / GERMANY

70538 斯圖加特 / 德國

處理廢棄物

必須以符合環保的方式，回收再利用損壞的機器、附件和廢棄的包裝材料。

不可以把電動工具丟入家庭垃圾中。

保留修改權。

한국어

안전 수칙

전동공구용 일반 안전수칙

! 주의 전동공구를 사용할 때 감전, 상해 및 화재를 방지하기 위해 다음의 기본적인 안전수칙을 준수해야 합니다.

본 전동공구를 사용하기 전에 설명서 내용을 모두 읽고 안전수칙을 잘 보관하십시오.

안전수칙에 나와 있는 “전동공구” 라는 개념은 전원에 연결하여 사용하는 (전선이 있는) 전동공구와 배터리를 사용하는 (전선이 없는) 전동공구를 의미합니다.

작업장 안전

- ▶ **작업장을 항상 깨끗이 하고 조명을 밝게 하십시오.** 작업장 환경이 어수선하거나 어두우면 사고를 초래할 수 있습니다.
- ▶ **가연성 유체, 가스 또는 분진이 있어 폭발 위험이 있는 환경에서 전동공구를 사용하지 마십시오.** 전동공구는 분진이나 증기에 점화하는 스파크를 일으킬 수 있습니다.
- ▶ **전동공구를 사용할 때 구경꾼이나 어린이 혹은 다른 사람이 작업장에 접근하지 못하게 하십시오.** 다른 사람이 주의를 산만하게 하면 기기에 대한 통제를 잃기 쉽습니다.

전기에 관한 안전

- ▶ **전동공구의 전원 플러그가 전원 콘센트에 잘 맞아야 합니다.** 플러그를 조금이라도 변경시켜서는 안됩니다. 접지된 전동공구를 사용할 때 어댑터 플러그를 사용하지 마십시오. 변형되지 않은 플러그와 잘 맞는 콘센트를 사용하면 감전의 위험을 감소할 수 있습니다.
- ▶ **파이프 관, 라디에이터, 레인지, 냉장고와 같은 접지 표면에 몸이 닿지 않도록 하십시오.** 몸에 닿을 경우 감전될 위험이 높습니다.
- ▶ **전동공구를 비에 맞지 않게 하고 습기 있는 곳에 두지 마십시오.** 전동공구에 물이 들어가면 감전될 위험이 높습니다.
- ▶ **전원 코드를 잡고 전동공구를 운반하거나 걸어 놓아서는 안되며, 콘센트에서 전원 플러그를 뽑을 때 전원 코드를 잡아 당겨서는 절대로 안됩니다.** 전원 코드가 열과 오일에 접촉하는 것을 피하고, 날카로운 모서리나 기기의 가동 부위에 닿지 않도록 주의하십시오. 손상되거나 영킨 전원 코드는 감전을 유발할 수 있습니다.
- ▶ **실외에서 전동공구로 작업할 때는 실외용으로 적당한 연장 전원 코드만을 사용하십시오.** 실외용 연장 전원 코드를 사용하면 감전의 위험을 줄일 수 있습니다.

- ▶ **전동공구를 습기 찬 곳에서 사용해야 할 경우에는 누전 차단기를 사용하십시오.** 누전 차단기를 사용하면 감전 위험을 줄일 수 있습니다.

사용자 안전

- ▶ **신중하게 작업하십시오.** 작업을 할 때 주의를 하며, 전동공구를 사용할 때 경솔하게 행동하지 마십시오. 피로한 상태이거나 약물 복용 및 음주한 후에는 전동공구를 사용하지 마십시오. 전동공구를 사용할 때 잠시라도 주위가 산만해지면 중상을 입을 수 있습니다.
- ▶ **작업자 안전을 위한 장치를 사용하십시오.** 항상 안전경을 착용하십시오. 전동공구의 종류와 사용에 따라 먼지 보호 마스크, 미끄러지지 않는 안전한 신발, 안전모 또는 귀마개 등의 안전한 복장을 하면 상해의 위험을 줄일 수 있습니다.
- ▶ **실수로 기기가 작동되지 않도록 주의하십시오.** 전동공구를 전원에 연결하거나 배터리를 끼우기 전에, 혹은 기기를 들거나 운반하기 전에, 전원 스위치가 꺼져 있는지 다시 확인하십시오. 전동공구를 운반할 때 전원 스위치에 손가락을 대거나 전원 스위치가 켜진 상태에서 전원을 연결하면 사고 위험이 높습니다.
- ▶ **전동공구를 사용하기 전에 조절하는 툴이나 나사 키 등을 빼 놓으십시오.** 회전하는 부위에 있는 툴이나 나사 키로 인해 상처를 입을 수 있습니다.
- ▶ **자신을 과신하지 마십시오.** 불안정한 자세를 피하고 항상 평형을 이룬 상태로 작업하십시오. 안정된 자세와 평형한 상태로 작업해야만이 의외의 상황에서 전동공구를 안전하게 사용할 수 있습니다.
- ▶ **알맞은 작업복을 입으십시오.** 헐렁한 복장을 하거나 장신구를 착용하지 마십시오. 머리카락 또는 장갑이 가동하는 기기 부위에 가까이 닿지 않도록 주의하십시오. 헐렁한 복장, 장신구 혹은 긴 머리는 가동 부위에 말려 사고를 초래할 수 있습니다.
- ▶ **분진 추출장치나 수거장치의 조립이 가능한 경우, 이 장치가 연결되어 있는지, 제대로 작동이 되는지 확인하십시오.** 이러한 분진 추출장치를 사용하면 분진으로 인한 사고 위험을 줄일 수 있습니다.

전동공구의 올바른 사용과 취급

- ▶ **기기를 과부하 상태에서 사용하지 마십시오.** 작업할 때 이에 적당한 전동공구를 사용하십시오. 알맞은 전동공구를 사용하면 지정된 성능 한도 내에서 더 효율적으로 안전하게 작업할 수 있습니다.
- ▶ **전원 스위치가 고장 난 전동공구를 사용하지 마십시오.** 전원 스위치가 작동되지 않는 전동공구는 위험하므로, 반드시 수리를 해야 합니다.
- ▶ **기기에 세팅을 하거나 액세서리 부품을 교환하거나 혹은 기기를 보관할 때, 항상 전원 콘센트에서 플러그를 미리 빼어 놓으십시오.** 이러한 조치는 실수로 전동공구가 작동하게 되는 것을 예방합니다.
- ▶ **사용하지 않는 전동공구는 어린이 손이 닿지 않는 곳에 보관하고, 전동공구 사용에 익숙지 않거나 이 사용 설명서를 읽지 않은 사람은 기기를 사용해서는 안 됩니다.** 경험이 없는 사람이 전동공구를 사용하면 위험합니다.

26 | 한국어

▶ 전동공구를 조심스럽게 관리하십시오. 가동 부위가 하자 없이 정상적인 기능을 하는지, 걸리는 부위가 있는지, 혹은 전동공구의 기능에 중요한 부품이 손상되지 않았는지 확인하십시오. 손상된 기기의 부품은 전동공구를 다시 사용하기 전에 반드시 수리를 맡기십시오. 제대로 관리하지 않은 전동공구의 경우 많은 사고를 유발합니다.

▶ 절단 공구를 날카롭고 깨끗하게 관리하십시오. 날카로운 절단면이 있고 잘 관리된 절단공구는 걸리는 경우가 드물고 조절하기도 쉽습니다.

▶ 전동공구, 액세서리, 장착하는 공구 등을 사용할 때, 이 지시 사항과 특별히 기종 별로 나와있는 사용 방법을 준수하십시오. 이때 작업 조건과 실시하려는 작업 내용을 고려하십시오. 원래 사용 분야가 아닌 다른 작업에 전동공구를 사용할 경우 위험한 상황을 초래할 수 있습니다.

서비스

▶ 전동공구 수리는 반드시 전문 인력에게 맡기고, 수리 정비 시 보쉬 순정 부품만을 사용하십시오. 그렇게 함으로써 기기의 안전성을 오래 유지할 수 있습니다.

고속 절단기용 안전수칙

▶ 절대로 전동공구 위에 올라서지 마십시오. 전동공구가 쓰러지거나 작업자가 실수로 절단 디스크에 닿게 되면 심한 중상을 입을 수 있습니다.

▶ 항상 안전반을 사용하십시오. 안전반은 작업자가 절단 디스크의 파편에 다치는 것을 방지하고 실수로 절단 디스크에 접하게 되는 것을 막아줍니다.

▶ 안전반이 제대로 작동하는지 자유로이 움직이는지 확인해 보십시오. 절대로 안전반을 열린 상태로 고정시켜서는 안됩니다.

▶ 전동공구는 견식절단을 하는 데에만 사용해야 합니다. 전동공구 안으로 물이 들어가면 감전될 위험이 높습니다.

▶ 전원 코드를 회전하는 절단공구에서 멀리 하십시오. 전원 코드가 절단되거나 말려 들어갈 수 있습니다.

▶ 손잡이를 건조하고 깨끗한 상태로 유지하고, 오일이나 그리스가 묻어있지 않도록 하십시오. 손잡이가 끈적이거나 오일이 묻으면 미끄러워 통제하기 어려워집니다.

▶ 전동공구가 작동 작동하는 동안 절단 부위에서 잔여물이나 금속 부스러기 등을 제거하지 마십시오. 항상 툴 암이 완전히 정지한 후에 전동공구의 스위치를 끄십시오.

▶ 반드시 기기의 스위치를 켜 상태로 절단 디스크를 작업물에 대십시오. 그렇지 않으면 절단 디스크가 작업물에 걸려 반동 위험이 있습니다.

▶ 작업대 위에 작업을 이외에 조절공구나 금속 부스러기 등의 다른 이물질이 없도록 깨끗이 하고 나서 전동공구를 사용하십시오. 작은 금속 조각이나 다른 물체가 회전하는 절단 디스크에 닿게 되면, 튕거나 작업자가 이에 다칠 수 있습니다.

▶ 작업하려는 작업물을 항상 잘 고정하십시오. 크기가 너무 작아 고정하기 어려운 작업물에는 작업하지 마십시오. 이 경우 손과 회전하는 절단 디스크와의 간격이 아주 좁기 때문입니다.

▶ 절단 디스크가 걸리게 되면 전동공구의 스위치를 끄고 절단 디스크가 완전히 정지될 때까지 기다리십시오. 절대로 회전하고 있는 절단 디스크를 절단 부위에서 잡아 빼려고 하지 마십시오. 이 경우 반동 작용이 생길 수 있습니다. 걸리게 된 원인을 찾아 이를 해결하십시오.

▶ 스위치를 끄고 나서 절단 디스크를 측면에서 눌러 정지하려고 하지 마십시오. 절단 디스크가 손상되거나 부러지거나 혹은 반동이 생길 수 있습니다.

▶ 절단 디스크를 무리하게 작업을 안으로 밀어 넣거나 압력을 가하지 마십시오. 구석이나 날카로운 모서리 등에 작업할 때 특히 절단 디스크가 걸리지 않도록 하십시오. 절단 디스크를 잘못 사용하여 손상된 경우 금이 생겨 경고 없이 깨질 수 있습니다.

▶ 작업용 애이프런을 착용하십시오. 작업 시 생기는 불꽃으로 인해 사람이 다치지 않도록 주의하십시오. 주위에 있는 가연성 물질을 치우십시오. 금속에 그라인딩 작업을 할 때 스파크가 생깁니다.

▶ 규정에 따른 사용에 나와 있는 적당한 소재에만 고속 절단기를 사용하십시오. 고속 절단기가 과부하될 수 있습니다.

▶ 반드시 손상되지 않은 원형의 진동하지 않는 절단 디스크를 사용하십시오. 손상된 절단 디스크를 사용하면 마모가 심하게 되고 절단 디스크가 걸려 반동을 유발할 수 있습니다.

▶ 절단 디스크를 사용할 때에는 항상 맞는 크기와 어댑터 구멍에 맞는 것을 사용하십시오 (예: 마름모형 또는 둥근형). 고속 절단기의 조립 부품에 맞지 않는 절단 디스크는 제대로 회전하지 않으며 제어하기가 어려우며 사용해서는 안됩니다.

▶ 우드카빙이나 이가 있는 톱날이 부착된 연마공구를 사용하지 마십시오. 이러한 연마공구는 자주 반동을 유발시키고 전동공구에 대한 통제를 잃게 합니다.

▶ 절단 디스크를 조립하고 사용할 때 절단 디스크 제조사의 사용 설명서를 준수하십시오. 맞지 않는 절단 디스크를 사용하면 상해를 입을 수 있으며 걸리거나 깨지거나 혹은 반동을 유발할 수 있습니다.

▶ 본 전동공구를 위해 제조사가 특별히 생산하고 추천하는 액세서리만을 사용해야 합니다. 액세서리가 전동공구에 고정될 수 있다고 해서 안전한 사용을 보장하는 것은 아닙니다.

▶ 작업 후 절단 디스크가 완전히 식을 때까지 만지지 마십시오. 작업 시 절단 디스크가 매우 뜨거워집니다.

▶ 정기적으로 전원 코드가 손상되지 않았는지 확인하고 손상된 코드는 반드시 보쉬 전동공구 지정 AS 센터에 맡겨 수리하도록 하십시오. 손상된 연장 케이블은 교환하십시오. 이렇게 해야만이 전동공구의 안전을 보장할 수 있습니다.

- ▶ **사용하지 않는 전동공구는 잘 보관하십시오 . 보관 장소는 건조하고 잠가볼 수 있는 곳이어야 합니다 .** 이렇게 하면 전동공구가 보관 중에 손상되거나 혹은 경험 없는 사람이 이를 사용하는 것을 방지할 수 있습니다 .
- ▶ **작업물을 잘 고정하십시오 .** 고정장치나 기계 바이스에 끼워서 작업하면 손으로 잡는 것보다 더 안전합니다 .
- ▶ **기기가 완전히 정지 상태가 될 때까지 자리를 떠나지 마십시오 .** 잔여 회전하는 삽입공구로 인해 상해를 입을 수 있습니다 .
- ▶ **절대로 전원 코드가 손상된 전동공구를 사용하지 마십시오 .** 작업하다가 전원 코드가 손상된 경우 손상된 코드를 만지지 말고 바로 플러그를 빼십시오 . 손상된 전원 코드는 감전을 일으킬 위험이 높습니다 .

기호

다음에 나와있는 기호는 귀하의 전동공구를 사용하는데 중요할 수 있습니다 . 그러므로 기호와 그 의미를 잘 기억해 두십시오 . 기호를 제대로 이해하면 전동공구를 더욱 쉽고 안전하게 사용할 수 있습니다 .

- | 기호 | 의미 |
|----|---|
| | ▶ 전동공구가 작동 중일 때 절단작업 부위에 손을 가까이 대지 마십시오 . 절단 디스크에 접하게 되면 다칠 위험이 있습니다 . |
| | ▶ 귀마개를 착용하십시오 . 소음의 영향으로 인해 청각을 상실할 수 있습니다 . |
| | ▶ 보안경을 착용하십시오 . |
| | ▶ 분진 마스크를 착용하십시오 . |
| | ▶ 보호용 장갑을 착용하십시오 . |

제품 및 성능 소개

- ▶ **모든 안전수칙과 지시 사항을 상세히 읽고 지켜야 합니다 .** 다음의 안전수칙과 지시 사항을 준수하지 않으면 화재 위험이 있으며 감전 혹은 중상을 입을 수 있습니다 .

규정에 따른 사용

본 전동공구는 고정용으로, 절단 디스크를 사용하여 금속 소재에 물을 사용하지 않고 최대 45° 모서리 각도 절단을 포함하여 직선으로 가로 및 세로 절단을 하는데 사용해야 합니다 .

제품의 주요 명칭

제품의 주요 명칭에 표기된 번호는 도면에 나와있는 전동공구의 그림을 참조하십시오 .

- 1 전원 스위치 잠금 버튼
- 2 전원 스위치
- 3 손잡이
- 4 하부 안전반
- 5 스펀들 잠금장치
- 6 절단 디스크
- 7 각도 조절자
- 8 고정 스펀들
- 9 순간 해제장치
- 10 스펀들 손잡이
- 11 조립용 구멍
- 12 육각키 (8 mm)
- 13 밀판
- 14 각도 조절자 잠금 나사
- 15 운반 안전장치
- 16 툴 암
- 17 운반용 손잡이
- 18 안전반
- 19 불꽃 보호판
- 20 툴 스펀들
- 21 고정 플랜지
- 22 와셔
- 23 육각형 볼트

도면이나 설명서에 나와있는 액세서리는 표준 공급부품에 속하지 않습니다 . 전체 액세서리는 저회 액세서리 프로그램을 참고하십시오 .

제품 사양

고속 절단기		GCO 14-24
제품 번호		3 601 M37 1..
소비 전력	W	2400
무부하 속도	rpm	3800
EPTA 공정01/2003에 따른		
중량	kg	17
안전 등급		□/II

작업물의 허용 크기 (최대 / 최소) 30 페이지 참조 .

자료는 정격 전압 [U] 230 V를 기준으로 한 것입니다 . 전압이 낮거나 각국의 특수한 모델에 따라 달라질 수 있습니다 .

적당한 절단 디스크의 크기

절단 디스크의 최대 직경	mm	355
절단 디스크의 최대 두께	mm	3
구멍 직경	mm	25.4

28 | 한국어

조립

- ▶ **실수로 전동공구가 작동하지 않도록 주의하십시오.** 조립을 하거나 전동공구에 모든 작업을 하기 전에 반드시 콘센트에서 전원 플러그를 빼 놓으십시오.

공급 내역

모든 공급되는 부품을 조심스럽게 포장에서 꺼내십시오. 전동기기와 함께 공급되는 액세서리에서 포장재를 빼십시오.

전동공구를 처음 사용하기 전에 먼저 아래에 열거된 부품이 모두 공급되었는지 확인해 보십시오:

- 절단 디스크가 조립된 고속 절단기
- 육각키 12

주의: 혹시 전동공구가 손상되지 않았는지 확인해 보십시오.

전동공구를 계속 사용하기 전에 안전장치나 경미하게 손상된 부품이 아무 하자 없이 제대로 기능을 하는지 조심스럽게 확인해 보아야 합니다. 또한 가동 부위가 하자 없이 정상적인 기능을 하는지, 걸리는 부위가 없는지 혹은 부품이 손상되지 않았는지 확인하십시오. 기기를 제대로 작동하려면 모든 부품이 올바르게 조립되어 있어야 하고 모든 조건을 만족해야 합니다.

손상된 안전장치나 부품은 지정 서비스 센터에 맡겨 수리하거나 교환하도록 해야 합니다.

고정식 혹은 이동식 조립

- ▶ **안전한 작업을 하려면 전동공구를 사용하기 전에 먼저 작업대처럼 안정적이고 평평한 작업면 위에 조립해야 합니다.**

작업대에 조립하기 (그림 A 참조)

- 전동공구를 적당한 고정 볼트를 사용하여 작업대에 고정하십시오. 이때 구멍 11를 사용하십시오.

이동식 설치 (권장 사항이 아님!)

전동공구를 작업면에 안전하게 조립하기 어려운 경우에 예외적으로 전동공구를 볼트로 조이지 않은 채 밑판 13의 발을 임시로 이에 적당한 바닥 (작업대나 평평한 바닥 등)에 세울 수 있습니다.

액세서리의 교환 (그림 B1-B2 참조)

- ▶ **전동공구를 보수 정비하기 전에 반드시 콘센트에서 전원 플러그를 빼십시오.**
- ▶ **스핀들 잠금장치 5는 톨 스펀들 20이 정지된 상태에서 서만 작동해야 합니다.** 그렇지 않으면 전동공구가 손상될 수 있습니다.
- ▶ **작업 후 절단 디스크가 완전히 식을 때까지 만지지 마십시오.** 작업 시 절단 디스크가 매우 뜨거워집니다.

절단 디스크의 최대 허용 속도가 전동공구의 공회전수와 같거나 더 큰 절단 디스크 만을 사용하십시오.

이 사용 설명서에 나와있는 특정 자료에 해당되고 EN 12413 대로 테스트를 거쳤다는 표시가 있는 절단 디스크만을 사용하십시오.

사용하지 않은 절단 디스크는 뚜껑이 있는 용기나 오리지널 포장에 넣어 두십시오. 절단 디스크는 수평 상태로 보관하십시오.

절단 디스크 탈착하기

- 전동공구를 작업 시 위치로 둡니다. (“전동공구의 안전장치 풀기 (작업 시 위치)” 참조, 28 페이지)
- 하부 안전반 4를 끝까지 뒤쪽으로 움직입니다.
- 육각형 볼트 23를 육각키 12를 이용하여 돌리면서 동시에 스펀들 잠금장치 5가 고정될 때까지 누르십시오.
- 스펀들 잠금장치를 누른 상태로 육각형 볼트 23를 돌려 뺍니다.
- 와셔 22와 고정 플랜지 21을 뺍니다.
- 그리고 나서 절단 디스크 6을 빼십시오.

절단 디스크 장착하기

필요에 따라, 장착하기 전에 조립하려는 모든 부품을 깨끗이 닦으십시오.

- 새로운 절단 디스크를 끼울 때 디스크 라벨이 톨 암 반대 쪽으로 향하게 하여 톨 스펀들 20에 고정하십시오.
- 고정 플랜지 21, 와셔 22 및 육각형 볼트 23를 장착하십시오. 스펀들 잠금장치 5를 누른 후, 절단 디스크가 스펀들 잠금장치 홈에 맞물려 고정될 때까지 돌리십시오. 이후 육각형 볼트 23를 시계 방향으로 다시 조이십시오. (고정 토크 약 18-20 Nm)
- 절단 디스크가 가려질 때까지 하부 안전반 4를 천천히 끝까지 아래로 움직입니다.
- 하부 안전반 4가 제대로 작동하는지 확인해 보십시오.

절단 디스크를 조립하고 나서 스위치를 켜기 전에 절단 디스크가 올바르게 조립되었는지 아무런 장애 없이 회전하는지 확인해 보십시오.

- 절단 디스크가 하부 안전반 4, 고정되어 있는 안전반 18 또는 다른 부위에 닿지 않도록 해야 합니다.
- 전동공구를 약 30 초간 작동하십시오. 이 경우 강한 진동이 생기면 즉시 전동공구의 스위치를 끄고, 절단 디스크를 다시 분해한 후 조립하십시오.

작동

- ▶ **전동공구를 보수 정비하기 전에 반드시 콘센트에서 전원 플러그를 빼십시오.**

윤반 안전장치 (그림 C 참조)

윤반 안전장치 15가 있어서 다른 장소에서 사용하기 위해 전동공구를 운반할 때 수월하게 다룰 수 있습니다.

전동공구의 안전장치 풀기 (작업 시 위치)

- 윤반 안전장치 15를 풀려면 손잡이 3로 톨암을 약간 아래로 누릅니다.
- 윤반 안전장치 15를 완전히 바깥 쪽으로 당깁니다.
- 톨 암을 천천히 위로 움직입니다.

참고: 작업할 때 운반 안전장치가 안쪽으로 눌러져 있지 않은지 확인하십시오. 눌러 있으면 톨 암을 원하는 깊이까지 누를 수 없습니다.

전동공구에 안전장치 하기 (운반 시 위치)

- 운반 안전장치 **15**가 완전히 안으로 들어갈 때까지 톨 암을 아래로 누르십시오.

운반에 관한 기타 주의 사항은 30 페이지를 참조하십시오.

마이터 각도 설정하기 (그림 D 참조)

마이터 각도는 0° 에서 45° 사이에서 설정할 수 있습니다.

중요한 설정치는 각도 조절자 **7**에 해당하는 각도가 표시되어 있습니다. 0° - 위치와 45° - 위치는 각각 양 끝에 세팅되어 있습니다.

- 각도 조절 잠금 나사 **14**를 육각키 **12** (8 mm)로 푸십시오.
- 원하는 각도로 맞추고 나서 2개의 잠금 나사 **14**를 다시 조이십시오.

각도 조절자 위치 바꾸기 (그림 D 와 E 참조)

작업물을 140 mm 이상의 너비로 절단하기 원하면 각도 조절자 **7**를 뒤로 움직일 수 있습니다.

- 잠금 나사 **14**를 육각키 **12** (8 mm)로 돌려 푸십시오.
- 각도 조절자 **7**을 원하는 간격이 되도록 한 개나 두 개의 구멍만큼 뒤쪽으로 움직입니다.
- 원하는 각도로 맞추고 나서 2개의 잠금 나사 **14**를 다시 조이십시오.

작업물 고정하기 (그림 E 참조)

작업을 안전하게 실시하려면 작업물을 항상 단단히 고정해야 합니다.

크기가 너무 작아 고정하기 어려운 작업물에는 작업하지 마십시오.

길쭉한 작업물의 경우 끝 부위를 받쳐 주어야 합니다.

- 작업물을 각도 조절자 **7**에 대십시오.
- 고정 스펀들 **8**을 작업물 쪽으로 밀고 나서 스펀들 손잡이 **10**으로 작업물을 고정하십시오.

작업물 빼기

- 스펀들 손잡이 **10**을 풀어 줍니다.
- 순간 해제장치 **9**를 열고 고정 스펀들 **8**을 작업물에서 잡아 당깁니다.

기계 시동

▶ **공공 배전 전압에 주의!** 공급되는 전원의 전압은 전동공구의 명판에 표기된 전압과 동일해야 합니다.

▶ 기계를 사용하기 전에 절단 디스크가 제대로 조립되어 있는지 아무런 장애 없이 잘 돌아가는지 확인하십시오. 적어도 30 초간 무부하 상태로 시험 가동을 실시하십시오. 손상되었거나 원형이 아닌 진동하는 절단 디스크는 사용하지 마십시오. 손상된 절단 디스크가 파손되어 이로 인해 상해를 입을 수 있습니다.

납 성분을 함유한 페인트나 광물 성분 혹은 금속과 같은 소재의 분진은 건강을 해칠 수 있습니다. 작업자나 주변에 있는 사람들이 이 분진을 만지거나 호흡할 경우 알레르기 반응 그리고 / 혹은 호흡기 질환이 발생할 수 있습니다.

특히 아연, 알루미늄 혹은 크롬 등 합금과 복합된 금속 분진은 위험합니다. 석면 성분을 함유한 소재는 오직 전문가가 작업해야 합니다.

- 작업장의 통풍이 잘 되도록 하십시오.
- 필터등급 P2가 장착된 호흡 마스크를 사용하십시오. 작업용 재료에 관해 국가가 지정한 규정을 고려 하십시오.

절단 디스크는 밀판 **13**의 파진 부위에 있는 분진, 톨밥 혹은 작업물의 부스러기로 인해 정지될 수 있습니다.

- 이러한 경우 전동공구의 스위치를 끄고 전원 콘센트에서 플러그를 빼십시오.
- 절단 디스크가 완전히 정지 상태가 될 때까지 기다리십시오.
- 소형의 작업물 조각이 이를 위해 만들어진 구멍에서 빠지도록 전동공구를 뒤로 기울이십시오. 경우에 따라 모든 작업물 조각을 빼기 위해 적절한 공구를 사용하십시오.

▶ **작업장에 분진이 쌓이지 않도록 하십시오.** 분진이 쉽게 발화할 수 있습니다.

작업자의 위치 (그림 F 참조)

▶ **절단 디스크와 일직선으로 전동공구 앞에 서지 말고 항상 절단 디스크에 비스듬히 서십시오.** 이렇게 하면 절단 디스크가 파손되어 생길 수 있는 파편으로부터 보호할 수 있습니다.

전원 스위치 작동하기 (그림 G 참조)

에너지를 절약하기 위해 전동공구를 사용할 경우에만 스위치를 켜십시오.

- 기계를 **작동하려면** 전원 스위치 **2**를 누른 상태로 유지하십시오.
- 전원 스위치 **2**를 **누른 상태**로 유지하려면, 잠금 버튼 **1**을 누르십시오.
- 기계의 **스위치를 끄려면** 전원 스위치 **2**를 놓으면 됩니다. 전원 스위치가 잠겨 있는 경우 스위치 잠금 버튼이 풀릴 때까지 전원 스위치를 끝까지 눌렀다가 다시 놓습니다.

사용방법

절단작업에 관한 안전 수칙

- ▶ **작업 후 절단 디스크가 완전히 식을 때까지 만지지 마십시오.** 작업 시 절단 디스크가 매우 뜨거워집니다.
- ▶ **불꽃 보호판 19가 규정대로 제대로 조립되었는지 확인해 보십시오.** 금속에 그라인딩 작업을 할 때 불꽃이 생깁니다.

절단 디스크를 떨어뜨리거나 충격을 주지 말고 기름이 묻지 않게 하십시오. 절단 디스크를 측면에서 누르지 마십시오.

30 | 한국어


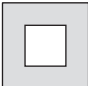
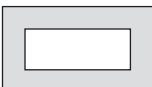

전동공구가 정지할 정도로 과부하 상태로 작업하지 마십시오.

너무 세게 앞으로 밀면 전동공구의 작업 성능이 훨씬 떨어지고 절단 디스크의 수명이 단축됩니다.

작업 소재에 적당한 절단 디스크만을 사용하십시오.

작업물 허용 크기

최대 작업물 크기:

작업물 형태	미터 / 베벨 각도	
	0°	45°
	129 Ø	128 Ø
	119 x 119	110 x 110
	100 x 196	107 x 115
	130 x 130	115 x 115

최소 작업물 크기

(= 고정 스피들 8로 고정할 수 있는 모든 작업물): 길이 80 mm

최대 절단 깊이 (0° / 0°): 129 mm

금속 절단작업

- 원하는 미터 각도를 설정하십시오.
- 작업물을 크기에 맞게 고정하십시오.
- 전동공구의 스위치를 켜십시오.
- 톨 암을 손잡이 3을 사용하여 천천히 아래로 움직입니다.
- 일정하게 앞으로 밀면서 작업물을 절단하십시오.
- 전동공구를 끄고 절단 디스크가 완전히 정지 상태가 될 때까지 기다립니다.
- 톨 암을 서서히 위쪽으로 움직입니다.

운반

- 항상 전동공구의 운반용 손잡이 17을 잡고 운반하십시오.
- ▶ **허리에 부상을 입을 수 있으므로 반드시 두 사람이 전동공구를 운반해야 합니다.**
- ▶ **전동공구를 운반할 경우 반드시 운반장치를 사용하고 절대로 안전장치를 사용하면 안됩니다.**

보수 정비 및 서비스

보수 정비 및 유지

▶ **전동공구를 보수 정비하기 전에 반드시 콘센트에서 전원 플러그를 빼십시오.**

▶ **귀하의 전동공구 통풍구를 정기적으로 부드러운 솔을 사용하여 깨끗이 닦아 주십시오.** 모터 팬이 하우징 안으로 먼지를 끌어 들이며, 금속성 분진이 많이 쌓이게 되면 감전될 위험이 있습니다.

▶ **열악한 환경에서 작업할 경우 가능한 한 추출장치를 항상 사용하도록 하십시오.** 통풍구를 자주 청소하고 누전 차단기 (PRCD)에 연결하십시오. 금속 소재에 작업할 경우 전도성 분진이 전동공구 안에 쌓이게 되면 전동공구의 보호 절연장치 기능에 장애가 생길 수 있습니다.

▶ **수리와 정비작업은 반드시 전문 인력에게 맡기십시오.** 그렇게 함으로써 전동공구의 안전성을 오래 유지할 수 있습니다.

연결 코드를 교환해야 할 경우 안전을 기하기 위해 보쉬사나 보쉬 지정 전동공구 서비스 센터에 맡겨야 합니다.

하부 안전반은 항상 자유로이 움직이고 저절로 닫힐 수 있어야 합니다. 그렇기 때문에 하부 안전반 주위를 항상 깨끗이 해야 합니다.

별매 액세서리

제품 번호	
모든 금속 소재용 절단 디스크	
절단 디스크 355 x 25.4 mm	2 608 600 208
절단 디스크 355 x 25.4 mm	2 608 600 223

보쉬 AS 및 고객 상담

보쉬는 귀하의 제품 및 수리에 관한 문의를 받고 있습니다.

AS 센터 정보 및 제품에 대한 고객 상담은 하기 고객 콜센터 및 이메일 상담을 이용해주시기 바랍니다.

고객 콜센터 : 080-955-0909

이메일 상담 :

Bosch-pt.hotline@kr.bosch.com

문의나 대체 부품 주문 시에는 반드시 제품 네임 플레이트에 있는 10 자리의 부품번호를 알려 주십시오.

Bosch Korea, RBKR
Mechanics and Electronics Ltd.
PT/SAX-ASA

298 Bojeong-dong Giheung-gu
Yongin-si, Gyeonggi-do, 446-913

Republic of Korea
080-955-0909

처리

기기와 액세서리 및 포장 등은 친환경적인 방법으로 재활용할 수 있도록 분류하십시오.

전동공구를 가정용 쓰레기로 처리하지 마십시오!

위 사항은 사전 예고 없이 변경될 수도 있습니다.

ภาษาไทย

กฎระเบียบเพื่อความปลอดภัย

คำเตือนทั่วไปเพื่อความปลอดภัยในการใช้เครื่องมือไฟฟ้า

! คำเตือน เพื่อป้องกันอันตรายจากไฟไหม้ ไฟดูด และการบาดเจ็บ เมื่อใช้เครื่องมือไฟฟ้า ต้องปฏิบัติตามมาตรการด้านความปลอดภัยพื้นฐานต่อไปนี้เสมอ **ต้องอ่านคำสั่งทั้งหมดนี้ก่อนใช้งานผลิตภัณฑ์ และเก็บรักษาคำแนะนำเพื่อความปลอดภัยนี้ไว้ให้ดี**

คำว่า "เครื่องมือไฟฟ้า" ในคำเตือนหมายถึง เครื่องมือไฟฟ้าของท่านที่ทำงานด้วยพลังงานไฟฟ้าที่ต่อจากเต้าเสียบ (มีสายไฟฟ้า) และเครื่องมือไฟฟ้าที่ทำงานด้วยพลังงานไฟฟ้าจากแบตเตอรี่ (ไร้สาย)

ความปลอดภัยในสถานที่ทำงาน

- ▶ **รักษาสถานที่ทำงานให้สะอาดและมีไฟส่องสว่างดี** สถานที่ที่มีมืดหรือรกรุงรังนำมาซึ่งอุบัติเหตุ
- ▶ **อย่าใช้เครื่องมือไฟฟ้าในสภาพแวดล้อมที่เสี่ยงต่อการติดระเบิดได้** เช่น ในที่มีมีของเหลว แก๊ส หรือฝุ่นที่ติดไฟได้ เมื่อใช้เครื่องมือไฟฟ้าจะเกิดประกายไฟซึ่งอาจจุดฝุ่นหรือไอให้ลุกเป็นไฟได้
- ▶ **ขณะใช้เครื่องมือไฟฟ้าทำงาน ต้องกันเด็กและผู้ยืมดูให้ออกห่าง** การหันเหความสนใจอาจทำให้ท่านขาดการควบคุมเครื่องได้

ความปลอดภัยเกี่ยวกับไฟฟ้า

- ▶ **ปลั๊กของเครื่องมือไฟฟ้าต้องมีขนาดพอดีกับเต้าเสียบ** อย่าตัดแปลงหรือแก้ไขตัวปลั๊กอย่างเด็ดขาด อย่าต่อปลั๊กต่อใดๆ เข้ากับเครื่องมือไฟฟ้าที่มีสายดิน ปลั๊กที่ไม่ตัดแปลงและเต้าเสียบที่เข้ากันช่วยลดความเสี่ยงจากการถูกไฟฟ้าดูด
- ▶ **หลีกเลี่ยงไม่ให้ร่างกายสัมผัสกับพื้นผิวของสิ่งของที่ต่อสายดินไว้** เช่น ท่อ เครื่องทำความร้อน เตา และตู้เย็น จะเสี่ยงอันตรายจากการถูกไฟฟาดูดมากขึ้นหากกระแสไฟฟ้าวิ่งผ่านร่างกายของท่านลงดิน
- ▶ **อย่าวางเครื่องมือไฟฟ้าตากฝนหรือทิ้งไว้ในที่ชื้นแฉะ** หากน้ำเข้าในเครื่องมือไฟฟ้า จะเพิ่มความเสี่ยงจากการถูกไฟฟาดูด
- ▶ **อย่าใช้สายไฟฟ้าอย่างผิดๆ** อย่าถือเครื่องมือไฟฟ้าที่สาย อย่าใช้สายแขวนเครื่อง หรืออย่าดึงสายไฟฟ้าเพื่อถอดปลั๊กออกจากเต้าเสียบ กันสายไฟฟ้าวางห่างจากความร้อน น้ำมัน ขอบแหลมคม หรือส่วนของเครื่องที่กำลังเคลื่อนไหว สายไฟฟ้าที่ชำรุดหรือพันกันอยู่เพิ่มความเสี่ยงจากการถูกไฟฟาดูด
- ▶ **เมื่อใช้เครื่องมือไฟฟ้าทำงานกลางแจ้ง ให้ใช้สายไฟต่อที่ได้รับบริการรับรองให้ใช้ต่อในที่กลางแจ้งเท่านั้น** การใช้สายไฟต่อที่เหมาะสมสำหรับงานกลางแจ้งช่วยลดอันตรายจากการถูกไฟฟาดูด
- ▶ **หากไม่สามารถหลีกเลี่ยงการใช้เครื่องมือไฟฟ้าทำงานในสถานที่เปียกชื้นได้ ให้ใช้วิธีที่ตัดวงจรเมื่อเกิดการรั่วไหลของไฟฟ้าจากสายดิน** การใช้วิธีตัดวงจรเมื่อ

เกิดการรั่วไหลของไฟฟ้าจากสายดินช่วยลดความเสี่ยงต่อการถูกไฟฟาดูด

ความปลอดภัยของบุคคล

- ▶ **ท่านต้องอยู่ในสภาพเตรียมพร้อม ระวังระวังในสิ่งที่กำลังทำอยู่ และมีสติขณะใช้เครื่องมือไฟฟ้าทำงาน** อย่าใช้เครื่องมือไฟฟ้าขณะที่ท่านกำลังเหนื่อย หรืออยู่ภายใต้การครอบงำของฤทธิ์ของยาเสพติด แอลกอฮอล์ และยา เมื่อใช้เครื่องมือไฟฟ้าทำงาน ในช่วงเวลาที่ท่านขาดความเอาใจใส่อาจทำให้บุคคลบาดเจ็บอย่างรุนแรงได้
 - ▶ **ใช้อุปกรณ์ปกป้องร่างกาย สวมแว่นตาป้องกันเสมอ** อุปกรณ์ปกป้อง เช่น หน้กากากฝุ่น รองเท้ากันลื่น หมวกแข็ง หรือประคบหูกันเสียงดัง ที่เลือกใช้ตามความเหมาะสมกับสภาพการทำงาน สามารถลดอันตรายต่อบุคคลได้
 - ▶ **ป้องกันการติดเครื่องโดยไม่ตั้งใจ** ต้องดูให้แน่ใจว่าสวิทช์อยู่ในตำแหน่งปิดก่อนเสียบปลั๊กไฟเข้าไปในเต้าเสียบ และ/หรือใส่แท่งแบตเตอรี่ ยุกขึ้นหรือถือเครื่องมือ การถือเครื่องโดยใช้นิ้วที่สวิทช์ หรือเสียบปลั๊กไฟขณะสวิทช์เปิดอยู่ อาจนำไปสู่อุบัติเหตุที่ร้ายแรงได้
 - ▶ **เอาเครื่องมือปรับแต่งหรือประแจปากตายออกจากเครื่องมือไฟฟ้าก่อนเปิดสวิทช์** เครื่องมือหรือประแจปากตายที่วางอยู่ก้นส่วนของเครื่องที่กำลังหมุนจะทำให้บุคคลบาดเจ็บได้
 - ▶ **หลีกเลี่ยงการตั้งท่าที่ผิดปกติ** ตั้งท่ายืนที่มั่นคงและวางน้ำหนักให้สมดุลตลอดเวลา ในลักษณะที่ท่านสามารถควบคุมเครื่องมือไฟฟ้าในสถานการณ์ที่ไม่คาดคิดได้ดีกว่า
 - ▶ **ใส่เสื้อผ้าที่เหมาะสม** อย่าใส่เสื้อผ้าหลวมหรือสวมเครื่องประดับ เข็ม เสื้อผ้า และถุงมือออกห่างส่วนของเครื่องที่กำลังหมุน เสื้อผ้าหลวม เครื่องประดับ และผมยาวอาจเข้าไปติดในส่วนของเครื่องที่กำลังหมุนได้
 - ▶ **หากต้องต่อเครื่องมือไฟฟ้าเข้ากับเครื่องดูดฝุ่นหรือเครื่องเก็บผง** ดูให้แน่ใจว่าการเชื่อมต่อการใช้งานเป็นไปอย่างถูกต้อง การใช้อุปกรณ์ดูดฝุ่นช่วยลดอันตรายที่เกิดจากฝุ่นได้
- #### การใช้และการดูแลรักษาเครื่องมือไฟฟ้า
- ▶ **อย่าใช้เครื่องมือไฟฟ้าอย่างหักโหม** ใช้เครื่องมือไฟฟ้าที่ถูกต้องตรงตามลักษณะงาน เครื่องมือไฟฟ้าที่ถูกต้องจะทำงานได้ดีกว่าและปลอดภัยกว่าในระดับสมรรถภาพที่ออกแบบไว้
 - ▶ **อย่าใช้เครื่องมือไฟฟ้าที่สวิทช์เปิดปิดเสีย** เครื่องมือไฟฟ้าที่ไม่สามารถควบคุมการเปิดปิดด้วยสวิทช์ได้ เป็นเครื่องมือไฟฟ้าที่ไม่ปลอดภัยและต้องส่งซ่อมแซม
 - ▶ **ก่อนปรับแต่งเครื่อง เปลี่ยนอุปกรณ์ประกอบ หรือเก็บเครื่องเข้าที่** ต้องถอดปลั๊กไฟออกจากเต้าเสียบ และ/หรือถอดแท่งแบตเตอรี่ออกจากเครื่องมือไฟฟ้า มาตรการป้องกันเพื่อความปลอดภัยนี้ช่วยลดความเสี่ยงจากการติดเครื่องโดยไม่ตั้งใจ
 - ▶ **เมื่อเลิกใช้งานเครื่องมือไฟฟ้า ให้เก็บเครื่องไว้ในที่ที่เด็กหยิบไม่ถึง และไม่อนุญาตให้บุคคลที่ไม่คุ้นเคยกับเครื่องหรือบุคคลที่ไม่ได้อ่านคำแนะนำนี้ใช้เครื่องมือไฟฟ้าเป็นของอันตรายหากตกอยู่ในมือของผู้ใช้ที่ไม่ได้รับการฝึกฝน**

32 | ภาษาไทย

- ▶ **เอาใจใส่ดูแลรักษาเครื่อง** ตรวจสอบส่วนที่เคลื่อนไหวได้ของเครื่องว่าวางอยู่ตรงแนวหรือติดขัดหรือไม่ ตรวจสอบการแตกหักของชิ้นส่วนและสภาพอื่นใดที่อาจมีผลต่อการทำงานของเครื่องมือไฟฟ้า หากชำรุดต้องส่งเครื่องมือไฟฟ้าซ่อมแซมก่อนใช้งานอุบัติเหตุหลายอย่างเกิดขึ้นเนื่องจากดูแลรักษาเครื่องไม่ดีพอ
- ▶ **รักษาเครื่องมือตัดให้คมและสะอาด** หากบำรุงรักษาเครื่องมือที่มีขอบตัดแหลมคมอย่างถูกต้อง จะสามารถตัดได้ลื่นไม่ติดขัดและควบคุมได้ง่ายกว่า
- ▶ **ใช้เครื่องมือไฟฟ้า อุปกรณ์ประกอบ เครื่องมือ และอุปกรณ์อื่นๆ ให้ตรงตามคำแนะนำนี้ และในลักษณะตามที่เครื่องมือไฟฟ้าประเภทนั้นๆ กำหนดไว้** โดยต้องคำนึงถึงเงื่อนไขการทำงานและงานที่จะทำได้ การใช้เครื่องมือไฟฟ้าทำงานที่ต่างไปจากวัตถุประสงค์การใช้งานของเครื่อง อาจนำไปสู่สถานการณ์ที่เป็นอันตรายได้

การบริการ

- ▶ **ส่งเครื่องมือไฟฟ้าให้ช่างผู้เชี่ยวชาญตรวจสอบและไขอะไหล่เปลี่ยนของแท้เท่านั้น** ในลักษณะนี้ท่านจะแน่ใจได้ว่าเครื่องมือไฟฟ้าอยู่ในสภาพที่ปลอดภัย

คำแนะนำเพื่อความปลอดภัยสำหรับแท่นตัดไฟเบอร์

- ▶ **อย่ายืนบนเครื่องมือไฟฟ้า** อันตรายร้ายแรงอาจเกิดขึ้นได้ หากเครื่องมือไฟฟ้าพลิกคว่ำ หรือบังเอิญไปสัมผัสกับจานตัด
- ▶ **ต้องใช้กระบะป้องกันใบเลื่อยเสมอ** กระบะป้องกันใบเลื่อยช่วยป้องกันผู้ใช้งานเครื่องจากชิ้นส่วนของจานตัดที่แตกหัก และจากการสัมผัสจานตัดโดยไม่ตั้งใจ
- ▶ **ดูให้แน่ใจว่ากระบะป้องกันใบเลื่อยทำงานอย่างถูกต้อง และเคลื่อนไหวไปมาได้อย่างอิสระ** อย่ารบกวนระบบป้องกันใบเลื่อยและหนีบให้เปิดไว้
- ▶ **ใช้เครื่องมือไฟฟ้าสำหรับการตัดแท่นเท่านั้น** หากนำซิมเข้าในเครื่องมือไฟฟ้าจะเพิ่มความเสี่ยงต่อการถูกไฟฟ้าดูด
- ▶ **เอาสายไฟฟ้าออกจากเครื่องมือที่กำลังหมุน** สายไฟฟ้าอาจถูกตัดขาดหรือเข้าไปติด
- ▶ **ดูแลด้ามจับให้แห้ง สะอาด และปราศจากน้ำมันและจาระบี** ด้ามจับที่ลื่น มีคราบไขมัน จะหลุดมือง่าย ทำให้สูญเสียการควบคุม
- ▶ **อย่านำเศษตกค้างจากการตัด เศษโลหะ และอื่นๆ ออกจากบริเวณตัดขณะเครื่องกำลังวิ่งอยู่** เลื่อนแขนเครื่องมือกลับมาที่ตำแหน่งพักตรงกลางก่อนเสมอ จากนั้นจึงปิดสวิทช์เครื่อง
- ▶ **เคลื่อนจานตัดเข้าหาชิ้นงานเมื่อเครื่องเปิดสวิทช์ทำงานอยู่เท่านั้น** มิฉะนั้นจะเกิดอันตรายจากการตีกลับหากจานตัดเกิดติดขัดอยู่ในชิ้นงาน
- ▶ **ใช้เครื่องมือไฟฟ้าทำงานเมื่อบริเวณทำงานไม่มีเครื่องมือปรับ เศษโลหะ และอื่นๆ วางอยู่** ให้มีเฉพาะวัสดุชิ้นงานเท่านั้น โลหะชิ้นเล็กหรือวัตถุอื่นๆ ที่เข้าไปสัมผัสกับจานตัดที่กำลังหมุนอยู่ จะติดเข้าหาผู้ใช้งานเครื่องด้วยความเร็วสูงได้

- ▶ **หนีบชิ้นงานให้แน่นเสมอ** อย่าวัดชิ้นงานที่มีขนาดเล็กมากจนหนีบไม่ได้ มิฉะนั้นช่องว่างระหว่างมือของท่านและจานตัดที่กำลังหมุนอยู่จะแคบเกินไป
- ▶ **หากจานตัดเกิดติดขัด ให้ปิดสวิทช์เครื่อง และรอจนจานตัดหยุดนิ่งอยู่กับที่** อย่าย่ำยวมดึงจานตัดที่ยังคงวิ่งอยู่ออกจากร่องตัด มิฉะนั้นจะมีอันตรายจากการตีกลับ ค้นหาและแก้ไขสาเหตุของการติดขัด
- ▶ **เมื่อปิดสวิทช์แล้ว อย่าย่ำยวมดันโดยกดลงด้านข้าง** จานตัดอาจเกิดชำรุด แตกหัก หรือนำไปสู่การตีกลับ
- ▶ **อย่าใช้แรงดันจานตัดเข้าในชิ้นงาน และอย่าใช้แรงกดมากเกินไปเมื่อใช้เครื่องมือไฟฟ้า** โดยเฉพาะอย่างยิ่งควรหลีกเลี่ยงอย่าให้จานตัดติดขัดหรือถูกบีบอัดขณะทำงานตรงมุมหรือขอบแหลมคม หากจานตัดชำรุดเพราะใช้งานในทางที่ผิด อาจเกิดรอยแตกกร้าว ซึ่งสามารถนำไปสู่การแตกหักโดยไม่มีการเตือนล่วงหน้า
- ▶ **สวมผ้ากันเปื้อนสำหรับทำงานดูแลอย่าให้บุคคลอื่นได้รับอันตรายจากประกายไฟนำวัสดุไวไฟในบริเวณใกล้เคียงออกไป** เมื่อตัดโลหะจะเกิดประกายไฟ
- ▶ **ใช้แท่นตัดไฟเบอร์สำหรับตัดวัสดุที่ระบุไว้ใน "ประโยชน์การใช้งานของเครื่อง"** เท่านั้น มิฉะนั้นแท่นตัดไฟเบอร์อาจถูกใช้งานเกินกำลัง
- ▶ **อย่าใช้จานตัดที่ชำรุด ไม่กลม หรือสั้นตัว** จานตัดที่ชำรุดจะเพิ่มการเสียดสี ทำให้ใบมีดมีโอกาสดัดชันมากขึ้น และเสี่ยงต่อการตีกลับ
- ▶ **ใช้จานตัดขนาดที่ถูกต้องและมีรูสำหรับยึดที่เข้ากันได้เสมอ (ดู ย. เช่น รูปสี่เหลี่ยมข้าวหลามตัด หรือกลม)** จานตัดที่ไม่เข้ากับชิ้นส่วนติดตั้งของแท่นตัดไฟเบอร์จะวิ่งไ่มารับเรียบและทำให้สูญเสียการควบคุม
- ▶ **อย่าประกอบใบเลื่อยใช้สำหรับเซาะไม้หรือเลื่อยมีพื้นใบเลื่อยเหล่านี้ทำให้เกิดการตีกลับและสูญเสียการควบคุมบ่อยครั้ง**
- ▶ **ปฏิบัติตามหนังสือคู่มือการใช้งานของบริษัทผู้ผลิตแผ่นตัดเกี่ยวกับการประกอบและการใช้แผ่นตัด** แผ่นตัดที่มีขนาดไม่พอดีอาจทำให้เกิดการบาดเจ็บ รวมทั้งการติดขัดแตกหัก หรือตีกลับ
- ▶ **อย่าใช้อุปกรณ์ประกอบที่ผู้ผลิตมิได้นแนะนำให้ใช้ และมีได้ออกแบบไว้ให้ใช้เฉพาะกับเครื่องมือไฟฟ้านี้** ด้วยเหตุนี้เพราะท่านสามารถประกอบอุปกรณ์เข้ากับเครื่องมือไฟฟ้าของท่านได้ ก็ได้แต่เป็นการรับรองว่าท่านจะปฏิบัติงานได้อย่างปลอดภัย
- ▶ **หลังเลิกงาน อย่าย่ำยวมดันจนคิดว่าจะเย็นลง** จานตัดจะร้อนขึ้นมากขณะทำงาน
- ▶ **ตรวจสอบสายไฟฟ้าเป็นประจำ และส่งสายไฟฟ้าที่ชำรุดไปซ่อมแซมที่ศูนย์บริการลูกค้าที่ได้รับมอบหมายสำหรับเครื่องมือไฟฟ้า บัซซ์ เท่านั้น** เปลี่ยนสายไฟต่อที่ชำรุด ในลักษณะนี้ท่านจะแน่ใจได้ว่าเครื่องมือไฟฟ้าอยู่ในสภาพที่ปลอดภัย
- ▶ **เมื่อไม่ใช้เครื่อง ต้องเก็บรักษาให้ปลอดภัย** สถานที่เก็บรักษาต้องแห้งและปิดล็อคได้ ในลักษณะนี้จะป้องกันไม่ให้เครื่องได้รับความเสียหายจากการเก็บรักษา และจากการถูกนำไปใช้งานโดยผู้ที่ไม่ได้รับการฝึกฝน

- ▶ **ยึดชิ้นงานให้แน่น** การยึดชิ้นงานด้วยเครื่องหนีบหรือแท่นจับจะมั่นคงกว่าการยึดด้วยมือ
- ▶ **อย่าปล่อยมือจากเครื่องจนกว่าเครื่องจะหยุดนิ่งอยู่กับที่** เครื่องมือตัดที่ยังวิ่งอยู่อาจทำให้บาดเจ็บได้
- ▶ **อย่าใช้เครื่องที่สายไฟฟ้าชำรุด** หากสายไฟฟ้าชำรุดขณะทำงาน อย่าสัมผัสสายไฟฟ้าที่ชำรุด ให้ดึงปลั๊กไฟฟ้าหลักออกจากเต้าเสียบ สายไฟฟ้าชำรุดเพิ่มความเสี่ยงจากการถูกไฟฟ้าช็อกหรือดูด

สัญลักษณ์

สัญลักษณ์ต่อไปนี้มีความสำคัญต่อการใช้เครื่องมือไฟฟ้าของท่าน กรุณาจดจำสัญลักษณ์และความหมาย การแปลความสัญลักษณ์ได้ถูกต้องจะช่วยให้ท่านใช้เครื่องมือไฟฟ้าได้ดีและปลอดภัยกว่า

สัญลักษณ์	ความหมาย
	▶ เอามือออกจากบริเวณตัดขณะเครื่องกำลังวิ่งอยู่ อันตรายจากการบาดเจ็บหากสัมผัสกับจานตัด
	▶ สวมปรกหูป้องกันเสียงดัง การรับฟังเสียงดังอาจทำให้ท่านสูญเสียการได้ยิน
	▶ สวมแว่นตาป้องกันอันตราย
	▶ สวมหน้ากากป้องกันฝุ่น
	▶ สวมถุงมือป้องกันอันตราย

รายละเอียดผลิตภัณฑ์และข้อมูลจำเพาะ



ต้องอ่านคำเตือนเพื่อความปลอดภัยและคำสั่งทั้งหมด การไม่ปฏิบัติตามคำเตือนและคำสั่งอาจเป็นสาเหตุให้ถูกไฟฟ้าดูด เกิดไฟไหม้ และ/หรือได้รับบาดเจ็บอย่างร้ายแรง

ประโยชน์การใช้งานของเครื่อง

เครื่องนี้ใช้สำหรับตัดวัสดุที่เป็นโลหะด้วยจานตัดสามารถตัดเป็นแนวเส้นตรงทั้งตามยาวและตามขวาง หรือตัดเป็นมุมมากได้ถึง 45 องศาโดยไม่ใช้น้ำ เครื่องนี้ตั้งอยู่ประจำที่

ส่วนประกอบผลิตภัณฑ์

ลำดับเลขของส่วนประกอบผลิตภัณฑ์อ้างอิงถึงส่วนประกอบของเครื่องที่แสดงในหน้าภาพประกอบ

- 1 ปุ่มล็อคสวิทช์เปิด-ปิด
- 2 สวิทช์เปิด-ปิด
- 3 แทมจับ
- 4 กระบังป้องกันใบเลื่อยชนิดซักรันได้
- 5 ล็อคแกน
- 6 จานตัด
- 7 ฉากหยุดมุม
- 8 เพลาลื่อนอัตโนมัติ
- 9 ก้านปลดเร็ว
- 10 คันจับเพลลา
- 11 รูประกอบ
- 12 ประแจขันทกเหลี่ยม (8 มม.)
- 13 แผ่นฐาน
- 14 สกรูล็อคสำหรับฉากหยุดมุม
- 15 ล็อคนิรภัยสำหรับขนย้าย
- 16 แชนเครื่องมือ
- 17 คันจับขนย้าย
- 18 กระบังป้องกันใบเลื่อย
- 19 กระบังป้องกันประกายไฟ
- 20 แกนเครื่องมือ
- 21 น็อตยึด
- 22 ประเก็นวงแหวน
- 23 สกรูทกเหลี่ยม

อุปกรณ์ประกอบที่แสดงหรือระบุไม่รวมอยู่ในการจัดส่งมาตรฐาน กรุณาดูอุปกรณ์ประกอบทั้งหมดในรายการแสดงอุปกรณ์ประกอบของเรา

ข้อมูลทางเทคนิค

แท่นตัด ไฟเบอร์		GCO 14-24
หมายเลขสินค้า		3 601 M37 1..
กำลังไฟฟ้าเข้ากำหนด	วัตต์	2400
ความเร็วรอบเดินตัวเปล่า	รอบ/นาที	3800
น้ำหนักตามระเบียบการ-EPTA-Procedure 01/2003	กก.	17
ระดับความปลอดภัย		□/II
มิติชิ้นงานที่อนุญาต (สูงสุด/ต่ำสุด) ดูหน้า 35		
ค่าที่ใช้ได้กับแรงดันไฟฟ้าระบุ [U] 230 โวลต์		
ค่าเหล่านี้อาจผิดแผกไปสำหรับแรงดันไฟฟ้าที่ตึก ว่า และโมเดลที่สร้างสำหรับเฉพาะประเทศ		
ขนาดจานตัดที่เหมาะสม		
เส้นผ่าศูนย์กลางจานตัด สูงสุด	มม.	355
ความกว้างจานตัด สูงสุด	มม.	3
รูประกอบจานตัด	มม.	25.4

34 | ภาษาไทย

การประกอบ

- ▶ **หลีกเลี่ยงอย่าให้เครื่องติดขึ้นเองโดยไม่ตั้งใจ ขณะประกอบและปรับแต่งทุกส่วนของเครื่อง ต้องไม่ต่อปลั๊กไฟเข้ากับแหล่งจ่ายไฟหลัก**

รายการสิ่งของที่จัดส่ง

นำชิ้นส่วนทั้งหมดที่รวมอยู่ในการจัดส่งออกจากหีบห่ออย่างระมัดระวัง

นำวัสดุบรรจุภัณฑ์ทั้งหมดออกจากเครื่องและอุปกรณ์ประกอบที่จัดส่งมา

ก่อนใช้เครื่องทำงานเป็นครั้งแรก ให้ตรวจสอบว่าชิ้นส่วนทั้งหมดที่ระบุด้านล่างนี้ได้จัดส่งมาด้วยหรือไม่:

- แท่นตัดไฟเซอร์พร้อมจานตัดประกอบมาแล้ว
- ประแจขันหกเหลี่ยม 12

หมายเหตุ: ตรวจสอบเครื่องมือไฟฟ้าเพื่อหาจุดชำรุดที่อาจมีก่อนใช้เครื่องต่อ ต้องตรวจสอบให้อุปกรณ์ป้องกันอันตรายทั้งหมดทำงานอย่างสมบูรณ์แบบ ส่วนชำรุดเล็กน้อยใดๆ ต้องได้รับการตรวจสอบอย่างละเอียดถี่ถ้วนเพื่อจะได้มั่นใจว่าเครื่องจะทำงานอย่างไม่มีข้อบกพร่อง ชิ้นส่วนทั้งหมดต้องประกอบอย่างถูกต้องและต้องทำตามเงื่อนไขทั้งหมด ทั้งนี้เพื่อให้ทำงานได้อย่างสมบูรณ์แบบต้องส่งเครื่องให้ศูนย์บริการลูกค้าที่ได้รับมอบหมายทำการเปลี่ยนอุปกรณ์ป้องกันอันตรายและชิ้นส่วนที่ชำรุดในทันที

การประกอบแบบประจำที่หรือแบบคล่องตัว

- ▶ **เพื่อความคุ้มครองให้ได้อย่างปลอดภัย ก่อนใช้งาน ต้องประกอบเครื่องบนพื้นผิวที่มั่นคงและราบเสมอกัน (ต.ย. เช่น โต๊ะทำงานของช่าง)**

การประกอบบนพื้นผิวทำงาน (คุณภาพประกอบ A)

- ยึดเครื่องมือไฟฟ้าเข้ากับพื้นผิวทำงานด้วยสกรูยึดที่เหมาะสม สำหรับการยึดให้ใช้รู 11

การประกอบแบบคล่องตัว (ไม่แนะนำ!)

ในกรณียกเว้นที่ไม่สามารถประกอบเครื่องมือไฟฟ้าไว้บนพื้นที่ทำงานได้อย่างแน่นอนหา ท่านสามารถวางขาของแผ่นฐาน 13 ไว้บนพื้นรองรับที่เหมาะสมเป็นการชั่วคราว (ต.ย. เช่น โต๊ะทำงานของช่าง พื้นราบเรียบและอื่นๆ) โดยไม่ขันสกรูเครื่องมือไฟฟ้าลงให้แน่น

การเปลี่ยนเครื่องมือ (คุณภาพประกอบ B1-B2)

- ▶ **ดึงปลั๊กไฟออกจากเต้าเสียบก่อนปรับแต่งเครื่อง**
- ▶ **กดลอคแกน 5 เมื่อแกนเครื่องมือ 20 หยุดนิ่งเท่านั้น มิฉะนั้นอาจส่งผลเสียหายต่อเครื่องได้**
- ▶ **หลังเลิกงาน อย่าสัมผัสจานตัดจนกว่าจะเย็นลง** จานตัดจะร้อนขึ้นมากขณะทำงาน

จานตัดที่ใช้ต้องมีความเร็วรอบสูงสุดที่อนุญาต เท่ากับหรือสูงกว่าความเร็วรอบเดินตัวเปล่าของเครื่องมือไฟฟ้าของท่านเท่านั้น

ใช้เฉพาะจานตัดที่มีคุณสมบัติตรงตามที่กำหนดไว้ในคู่มือการใช้งานเล่มนี้ และผ่านการทดสอบตามมาตรฐานยุโรป EN 12413 และให้แสดงคุณสมบัติและมาตรฐานนี้ไว้อย่างถูกต้อง

วางจานตัดที่ไม่ใช้งานไว้ในภาชนะบรรจุที่ปิดฝา หรือในหีบห่อที่มีมาแต่เดิม เก็บรักษาจานตัดโดยวางราบ

การถอดจานตัด

- วางเครื่องในตำแหน่งทำงาน (ดู "การปลดเครื่อง (ตำแหน่งทำงาน)" หน้า 34)
- ทันกระบังป้องกันใบเลื่อยชนิดชักกรันได้ 4 ไปด้านหลังจนสุด
- หมุนสกรูหกเหลี่ยม 23 ด้วยประแจขันหกเหลี่ยม 12 ที่จัดส่งมา และในขณะที่เดียวกันให้กดลอคแกน 5 จนขบเข้าที่
- กดลอคแกนค้างไว้และขันสกรูหกเหลี่ยม 23 ออก
- ถอดประแจขันหกเหลี่ยม 22 และน็อตยึด 21 ออก
- ถอดจานตัด 6 ออก

การประกอบจานตัด

หากจำเป็น ให้ทำความสะอาดทุกชิ้นส่วนก่อนประกอบเข้า

- ประกอบจานตัดแผ่นใหม่เข้าบนแกนเครื่องมือ 20 ในลักษณะหันด้านที่มีฉลากออกจากแกนเครื่องมือ
- สวมน็อตยึด 21 ประแจขันหกเหลี่ยม 22 และสกรูหกเหลี่ยม 23 เข้าไป
- กดลอคแกน 5 จนลอคแกนขบที่เข้า และขันสกรูหกเหลี่ยม 23 ในทิศทางเข็มนาฬิกากลับเข้าให้แน่นอีกครั้ง (แรงบิดการขันประมาณ 18–20 Nm)
- นาคะบังป้องกันใบเลื่อยชนิดชักกรันได้ 4 ลงด้านล่างอย่างช้าๆ จนครบจานตัด
- ทำให้แน่ใจว่ากระบังป้องกันใบเลื่อยชนิดชักกรันได้ 4 ทำงานอย่างถูกต้อง

เมื่อประกอบจานตัดแล้ว และก่อนเปิดสวิตซ์ให้ตรวจสอบว่าได้ประกอบจานตัดไว้อย่างถูกต้องแล้วหรือไม่ และจานตัดสามารถหมุนได้อย่างอิสระหรือไม่

- ทำให้แน่ใจว่าจานตัดจะไม่ครูดกับกระบังป้องกันใบเลื่อยชนิดชักกรันได้ 4 กระบังป้องกันใบเลื่อย 18 หรือส่วนอื่นๆ
- ริงเครื่องนานประมาณ 30 วินาที
- หากมีการลั่นอย่างเด่นชัด ให้ปิดสวิตซ์เครื่องในทันที ถอดจานตัด และติดตั้งเข้าไปใหม่อีกครั้ง

การปฏิบัติงาน

- ▶ **ดึงปลั๊กไฟออกจากเต้าเสียบก่อนปรับแต่งเครื่อง**

ลอคนิรภัยสำหรับขนย้าย (คุณภาพประกอบ C)

ลอคนิรภัยสำหรับขนย้าย 15 ทำให้สามารถจับถือเครื่องมือไฟฟ้าได้สะดวกเมื่อขนย้ายไปยังสถานที่ทำงานต่างๆ

การปลดเครื่อง (ตำแหน่งทำงาน)

- ดันแขนเครื่องมือตรงตามจับ 3 ลงด้านล่างเล็กน้อยเพื่อปลดน้ำหนักบนลอคนิรภัยสำหรับขนย้าย 15
- ดึงลอคนิรภัยสำหรับขนย้าย 15 ออกมาด้านนอกทั้งหมด
- จับแขนเครื่องมือต้นชิ้นด้านบนอย่างช้าๆ

หมายเหตุ: ขณะทำงาน เอาใจใส่อย่าให้ลอคนิรภัยสำหรับขนย้ายถูกดันเข้าด้านใน มิฉะนั้นจะไม่สามารถลอคแขนเครื่องมือลงต่ำถึงความลึกการตัดที่ต้องการได้

การรัดเครื่อง (ตำแหน่งขนย้าย)

- กดแขนเครื่องมือลงต่ำจนสามารถดันลอคนิรภัยสำหรับขนย้าย 15 เข้าไปด้านในได้ทั้งหมด

สำหรับข้อมูลเพิ่มเติมเกี่ยวกับการขนย้าย กรุณาดูหน้า 36

การปรับมุมตัด (ดูภาพประกอบ D)

ท่านสามารถตั้งมุมมากได้ในพิสัยระหว่าง 0 องศา ถึง 45 องศา มุมมากที่ใช้บ่อยจะแสดงด้วยเครื่องหมายของมุมนั้นๆ บนฉากหยุดมุม 7 ตำแหน่งมุม 0 องศา และ 45 องศา จะตั้งไว้ที่จุดหยุดตรงปลายแต่ละด้าน

- คลายสลกรูล็อค 14 สำหรับฉากหยุดมุมออกด้วยประแจขันหกเหลี่ยม 12(8 มม.) ที่จัดส่งมา
- ปรับมุมที่ต้องการ และขันสลกรูล็อค 14 ทั้งสองเข้าให้แน่นอีกครั้ง

การย้ายที่ฉากหยุดมุม (ดูภาพประกอบ D และ E)

เมื่อต้องการตัดชิ้นงานที่มีขนาดกว้างกว่า 140 มม. ท่านสามารถย้ายที่ฉากหยุดมุม 7 ไปทางด้านหลังได้

- หมุนสลกรูล็อค 14 สำหรับฉากหยุดมุมออกจนสุดด้วยประแจขันหกเหลี่ยม 12(8 มม.) ที่จัดส่งมา
- เลื่อนฉากหยุดมุม 7 ไปทางด้านหลัง 1 หรือ 2 รูตามระยะห่างที่ต้องการ
- ปรับมุมที่ต้องการ และขันสลกรูล็อค 14 ทั้งสองเข้าให้แน่นอีกครั้ง

การหนีบชิ้นงาน (ดูภาพประกอบ E)

เพื่อความปลอดภัยสูงสุดขณะทำงาน ต้องหนีบชิ้นงานให้แน่นหนาเสมออย่าตัดชิ้นงานที่มีขนาดเล็กมากจนยึดหนีบไม่ได้

ต้องรองรับหรือหนุนส่วนปลายของชิ้นงานที่มีขนาดยาวที่ลอยอยู่

- วางชิ้นงานตามกับฉากหยุดมุม 7
- ดันเพลาเลื่อนอัด 8 ตามกับชิ้นงานและหนีบชิ้นงานให้แน่นด้วยคันจับเพลา 10

การปลดชิ้นงาน

- คลายคันจับเพลา 10 ออก
- ทุบค้อนกับปลดเร็ว 9 ขึ้นและดึงเพลาเลื่อนอัด 8 ออกจากชิ้นงาน

เริ่มต้นปฏิบัติงาน

▶ ให้สังเกตแรงดันไฟฟ้า! แรงดันไฟฟ้าจากแหล่งจ่ายไฟฟ้าต้องมีค่าตรงกับค่าแรงดันไฟฟ้าที่ระบุไว้บนแผ่นป้ายที่กั๊กเครื่อง

▶ ตรวจสอบงานตัดก่อนใช้งานงานตัดต้องประกอบอย่างถูกต้อง และหมุนได้อย่างอิสระ ทำการวิ่งทดสอบเดินตัวเปล่านาน 30 วินาที (อย่างน้อยที่สุด) อย่าใช้งานตัดที่ชำรุด ไม่กลม หรือสั้นตัว งานตัดที่ชำรุดสามารถแตกออกและทำให้บาดเจ็บได้

ฝุ่นที่ได้จากวัสดุ เช่น เคลือบผิวที่มีสารตะกั่ว แร่ธาตุ และโลหะอาจเป็นอันตรายต่อสุขภาพ การสัมผัสหรือการหายใจเอาฝุ่นเข้าไปอาจกระตุ้นผู้ใช้งานเครื่องมือผู้ที่ยืนอยู่ใกล้เคียงให้เกิดปฏิกิริยาแพ้ฝุ่น

และ/หรือนำมาซึ่งโรคติดเชื้อระบบหายใจฝุ่นจากโลหะบางประเภทนับเป็นสารที่ทำให้เกิดมะเร็ง โดยเฉพาะอย่างยิ่งเมื่อรวมกับโลหะผสม เช่น สังกะสี อะลูมิเนียม หรือโครเมียม สำหรับวัสดุที่มีแอลเบสทอลต้องให้ผู้เชี่ยวชาญทำงานเท่านั้น

- จัดสถานที่ทำงานให้มีการระบายอากาศที่ดี
- ขอแนะนำให้สวมหน้ากากป้องกันการตัดเชื้อที่มีระดับ-ไส้กรอง P2

ปฏิบัติตามกฎข้อบังคับสำคัญอื่นๆ ที่เกี่ยวกับวัสดุชิ้นงานที่บังคับใช้ในประเทศของท่าน

โปรดอาจหยุดชะงักเนื่องจากมีฝุ่น ควัน หรือสะเก็ดชิ้นงานในร่องของแผ่นฐาน 13

- ปิดสวิตช์เครื่อง และดึงปลั๊กไฟฟ้าออกจากเต้าเสียบ
- รอจนกว่างานตัดจะหยุดนิ่งอยู่กับที่
- เอียงเครื่องไปทางด้านหลัง เพื่อให้เกิดชิ้นงานเล็กๆ สามารถตกออกจากช่องเปิดที่มีไว้สำหรับจุดประสงค์นี้ ใช้เครื่องมือที่เหมาะสมนำสะเก็ดชิ้นงานออกไปหากจำเป็น

▶ บังคับการสะสมของฝุ่นในสถานที่ทำงาน ฝุ่นสามารถถูกใหม่อย่างง่ายดาย

ตำแหน่งของผู้ใช้งานเครื่อง (ดูภาพประกอบ F)

▶ ย้ายยืนในแนวเดียวกับงานตัดตรงหน้าเครื่อง ต้องยืนเฉียงไปทางด้านข้างงานตัดเสมอ ในกรณีทำงานตัดแตกหัก มาตรการนี้จะช่วยปกป้องร่างกายของท่านจากเศษสะเก็ดที่อาจเกิดขึ้นได้ดีกว่า

การเปิดและปิดสวิตช์ (ดูภาพประกอบ G)

เพื่อประหยัดพลังงาน เปิดสวิตช์เครื่องมือไฟฟ้าเฉพาะเมื่อใช้งานเท่านั้น

- เปิดเครื่องทำงานโดยกดสวิตช์เปิด-ปิด 2 และกดค้างไว้
- ล็อคสวิตช์เปิด-ปิด 2 ที่กดค้างไว้ โดยกดปุ่มล็อคสวิตช์เปิด-ปิด 1
- ปิดเครื่องโดยปล่อยนิ้วจากสวิตช์เปิด-ปิด 2 เมื่อสวิตช์เปิด-ปิดถูกล็อคอยู่ ให้กดสวิตช์เปิด-ปิดไปตลอดจนล็อคถูกปลดออก จากนั้นจึงปล่อยนิ้วจากสวิตช์เปิด-ปิด

ข้อแนะนำในการทำงาน**ข้อแนะนำทั่วไปสำหรับการตัด**

▶ หลังเลิกงาน อย่าสัมผัสงานตัดจนกว่าจะเย็นลง งานตัดจะร้อนขึ้นมากขณะทำงาน

▶ ทำให้แน่ใจว่าได้ประกอบกระบังป้องกันประกายไฟ 19 ไว้อย่างถูกต้องแล้ว เมื่อตัดโลหะจะเกิดประกายไฟ


ต้องป้องกันงานตัดจากการกระทบกระแทก และจาระบีอย่าให้ด้านข้างของงานตัดถูกกด

อย่าใช้งานเครื่องมือไฟฟ้าหนักเกินไปจนเครื่องหยุดชะงัก การเคลื่อนเครื่องไปข้างหน้าเกินกำลังจะลดประสิทธิภาพการทำงาน

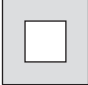
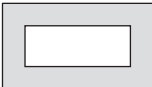

ของเครื่อง และบันทึกอาการการใช้งานของงานตัด ใช้เฉพาะงานตัดที่เหมาะสมกับประเภทวัสดุชิ้นงานเท่านั้น

มิติชิ้นงานที่อนุญาต

ขนาดชิ้นงานสูงสุด:

รูปทรงชิ้นงาน	มุมมาก	
	0°	45°
	129 Ø	128 Ø

36 | ภาษาไทย

รูปทรงชิ้นงาน	มุมฉาก	
	0°	45°
	119 x 119	110 x 110
	100 x 196	107 x 115
	130 x 130	115 x 115

ขนาดชิ้นงานสูงสุด

(= ชิ้นงานทั้งหมดที่สามารถหนีบด้วยเพลาลูกเบี้ยวอัด 8):
ความยาว 80 มม.

ความสามารถในการเลี้ยว สูงสุด (0°/0°): 129 มม.

การตัดโลหะ

- ตั้งมุมเอียงที่ต้องการ
- หนีบชิ้นงานให้แน่นพอเหมาะพอควรกับขนาดของชิ้นงาน
- เปิดเครื่องทำงาน
- นำแขนเครื่องมือลงด้านข้างอย่างช้าๆ โดยจับตรงด้ามจับ 3
- ตัดชิ้นงานโดยป้อนเครื่องอย่างสม่ำเสมอ
- ปิดสวิตช์เครื่อง และรอจนจนตัดหยุดนิ่งอยู่กับที่
- จับแขนเครื่องมือต้นชิ้นด้านบนอย่างช้าๆ

การขนส่ง

- ถือเครื่องมือไฟฟ้าโดยที่หัวที่คั่นจับขนย้าย 17 เสมอ
- ▶ **ต้องใช้คนสองคนหัวเครื่องเสมอ ทั้งนี้เพื่อหลีกเลี่ยงการเจ็บหลัง**
- ▶ **เมื่อขนย้ายเครื่องมือไฟฟ้า ให้ยกจับที่อุปกรณ์สำหรับขนย้ายเท่านั้น และอย่ายกจับที่อุปกรณ์ป้องกันอันตรายอย่างเด็ดขาด**

การบำรุงรักษาและการบริการ**การบำรุงรักษาและการทำความสะอาด**

- ▶ **ดึงปลั๊กไฟออกจากเต้าเสียบก่อนปรับแต่งเครื่อง**
- ▶ **ทำความสะอาดของระบายน้ของอากาศของเครื่องมือไฟฟ้าของท่านเป็นประจำด้วยแปรงขนอ่อน พัดลมมอเตอร์ จะดูดฝุ่นเข้ามาในครอบเครื่อง และการสะสมของโลหะจำนวนมากสามารถนำไปสู่อันตรายจากไฟฟ้า**
- ▶ **หากใช้เครื่องทำงานหนัก ให้ใช้อุปกรณ์ดูดฝุ่นออกเท่าที่จะทำได้เสมอ เพื่อขจัดของระบายน้ของอากาศบ่อยๆ และติดตั้งอุปกรณ์ตัดวงจรเมื่อเกิดการรั่วไหลของไฟฟ้าลงดิน แบบพกพา (PRCD) เมื่อทำงานกับโลหะ ฝุ่นซึ่งมีคุณสมบัติความไวและความไวต่อกระแสไฟฟ้าอาจสะสมอยู่ข้างในเครื่องมือไฟฟ้า ฉนวนป้องกันทั้งหมดของเครื่องมือไฟฟ้าอาจได้รับผลเสีย**
- ▶ **ส่งเครื่องให้ช่างผู้เชี่ยวชาญซ่อมบำรุงเท่านั้น**
ในลักษณะนี้ท่านจะแน่ใจได้ว่าเครื่องมือไฟฟ้าอยู่ในสภาพที่ปลอดภัย

เมื่อจำเป็นต้องเปลี่ยนสายไฟฟ้า ให้ส่งเครื่องให้บริษัท บ็อชหรือศูนย์บริการลูกค้าสำหรับเครื่องมือไฟฟ้า บ็อช ที่ได้รับมอบหมายทำการเปลี่ยนให้ เพื่อหลีกเลี่ยงอันตรายด้านความปลอดภัย

กระบังป้องกันใบเลื่อยชนิดชักกรันได้ต้องเคลื่อนไหวไปมาได้ อย่างอิสระและร่นปิดได้โดยอัตโนมัติตลอดเวลา ดังนั้นต้องรักษาบริเวณรอบๆ กระบังป้องกันใบเลื่อยชนิดชักกรันได้ให้สะอาดอยู่เสมอ

อุปกรณ์ประกอบ**หมายเลขสินค้า****จานตัดสำหรับวัสดุที่เป็นโลหะทุกชนิด**

จานตัด 355 x 25.4 มม. 2 608 600 208

จานตัด 355 x 25.4 มม. 2 608 600 223

การบริการหลังการขายและคำแนะนำการใช้งาน

ศูนย์บริการหลังการขายของเรายินดีตอบคำถามเกี่ยวกับการบำรุงรักษาและการซ่อมแซมผลิตภัณฑ์ของท่าน รวมทั้งชิ้นส่วนอะไหล่ ภาพแยกชิ้นประกอบและข้อมูลเกี่ยวกับชิ้นส่วนอะไหล่ยังสามารถดูได้ใน:

www.bosch-pt.com

ทีมงานให้คำแนะนำการใช้งานของ บ็อช ยินดีตอบคำถามเกี่ยวกับผลิตภัณฑ์ของเราและอุปกรณ์ประกอบของผลิตภัณฑ์ เมื่อต้องการสอบถามและสั่งซื้ออะไหล่ กรุณาแจ้งหมายเลขสินค้า 10 หลังกับแผนป้ายรุ่นของผลิตภัณฑ์ทุกครั้ง

ในกรณีประกัน ซ่อมแซม หรือซื้อชิ้นส่วนมาเปลี่ยน กรุณาติดต่อ ผู้ขายที่ได้รับแต่งตั้งเท่านั้น

ไทย

บริษัท โรเบิร์ต บ็อช จำกัด
ชั้น 11 ดิกลีเบอร์ดี สแควร์
287 ถนนสีลม บางรัก
กรุงเทพฯ 10500
โทรศัพท์ 02 6393111
โทรสาร 02 2384783
บริษัท โรเบิร์ต บ็อช จำกัด ตู้ ปณ. 2054
กรุงเทพฯ 10501 ประเทศไทย
www.bosch.co.th

ศูนย์บริการซ่อมและฝึกอบรม บ็อช
อาคาร ลาซาลทาวเวอร์ ชั้น G ห้องเลขที่ 2
บ้านเลขที่ 10/11 หมู่ 16
ถนนศรีนครินทร์
ตำบลบางแก้ว อำเภอบางพลี
จังหวัดสมุทรปราการ 10540
ประเทศไทย
โทรศัพท์ 02 7587555
โทรสาร 02 7587525

การกำจัดขยะ

เครื่องมือ อุปกรณ์ประกอบ และหีบห่อ ต้องนำไปแยกประเภทวัสดุเพื่อนำกลับมาใช้ใหม่โดยไม่ทำลายสภาพแวดล้อม อย่าทิ้งเครื่องมือไฟฟ้าลงในขยะบ้าน!

ขอสงวนสิทธิ์ในการเปลี่ยนแปลงโดยไม่ต้องแจ้งล่วงหน้า

Bahasa Indonesia

Petunjuk-Petunjuk untuk Keselamatan Kerja

Petunjuk-Petunjuk Umum untuk Perkakas Listrik

⚠ PERHATIKANLAH Selama menggunakan perkakas listrik, untuk menghindari terjadinya kontak listrik, luka-luka dan kebakaran, petunjuk-petunjuk untuk keselamatan kerja berikut mutlak harus ditaati.

Bacalah semua petunjuk-petunjuk ini, sebelum Anda mulai menggunakan perkakas listrik, dan simpanlah petunjuk-petunjuk untuk keselamatan kerja dengan baik.

Kata „perkakas listrik“ yang disebutkan di dalam petunjuk-petunjuk untuk keselamatan kerja adalah sebutan untuk perkakas listrik pakai listrik jaringan (dengan kabel) dan untuk perkakas listrik tenaga baterai (tanpa kabel listrik).

Keselamatan kerja di tempat kerja

- ▶ **Jagalah supaya tempat kerja selalu bersih dan terang.** Tempat kerja yang tidak rapi atau tidak terang dapat mengakibatkan terjadinya kecelakaan.
- ▶ **Janganlah menggunakan perkakas listrik di tempat di mana dapat terjadi ledakan, di mana ada cairan, gas atau debu yang mudah terbakar.** Perkakas listrik dapat memancarkan bunga api yang lalu mengakibatkan debu atau uap terbakar.
- ▶ **Selama menggunakan perkakas listrik, jauhkan anak-anak dan orang-orang lain dari tempat kerja.** Jika konsentrasi terganggu, bisa jadi Anda tidak bisa mengendalikan perkakas listrik tersebut.

Keamanan listrik

- ▶ **Steker dari perkakas listrik harus cocok pada stopkontak. Janganlah sekali-kali merubah steker. Janganlah menggunakan steker perantara bersama dengan perkakas listrik yang mempunyai hubungan arde.** Steker yang tidak dirubah dan stopkontak yang cocok mengurangi bahaya terjadinya kontak listrik.
- ▶ **Jagalah supaya badan Anda tidak bersentuhan dengan permukaan yang mempunyai hubungan arde, misalnya pipa-pipa, radiator pemanas ruangan, kompor listrik dan lemari es.** Ada risiko besar terjadi kontak listrik, jika badan Anda mempunyai hubungan arde.
- ▶ **Jagalah supaya perkakas listrik tidak kena hujan atau menjadi basah.** Air yang masuk ke dalam perkakas listrik menambah risiko terjadinya kontak listrik.
- ▶ **Janganlah menyalah gunakan kabel listrik untuk mengangkat dan menggantungkan perkakas listrik atau untuk menarik steker dari stopkontak. Jagalah supaya kabel listrik tidak kena panas, minyak, pinggiran yang tajam atau bagian-bagian perkakas yang bergerak.** Kabel listrik yang rusak atau tersangkut menambah risiko terjadinya kontak listrik.

- ▶ **Jika Anda menggunakan perkakas listrik di luar gedung, gunakanlah hanya kabel sambungan yang juga cocok untuk pemakaian di luar gedung.** Penggunaan kabel sambungan yang cocok untuk pemakaian di luar gedung mengurangi risiko terjadinya kontak listrik.
- ▶ **Jika penggunaan perkakas listrik di tempat yang basah tidak bisa dihindarkan, gunakanlah sakelar pengaman terhadap arus penyimpangan.** Penggunaan sakelar pengaman terhadap arus penyimpangan mengurangi risiko terjadinya kontak listrik.

Keselamatan kerja

- ▶ **Berhati-hatilah selalu, perhatikanlah apa yang Anda kerjakan dan bekerjalah dengan seksama jika menggunakan perkakas listrik. Janganlah menggunakan perkakas listrik, jika Anda capai atau berada di bawah pengaruh narkoba, minuman keras atau obat.** Jika Anda sekejap mata saja tidak berhati-hati sewaktu menggunakan perkakas listrik, dapat terjadi luka-luka berat.
- ▶ **Pakailah pakaian dan sarana pelindung dan pakailah selalu kaca mata pelindung.** Dengan memakai pakaian dan sarana pelindung, misalnya kedok anti debu (masker), sepatu tertutup yang tidak licin, helm pelindung atau pemalut telinga sesuai dengan pekerjaan yang dilakukan dengan perkakas listrik, bahaya terjadinya luka-luka dapat dikurangi.
- ▶ **Jagalah supaya perkakas listrik tidak dihidupkan secara tidak disengaja. Perhatikan bahwa perkakas listrik dalam penyetelan mati, jika steker disambungkan pada pengadaan listrik dan/atau baterai, jika perkakas listrik diangkat atau dibawa.** Jika selama mengangkat perkakas listrik jari Anda berada pada tombol untuk menghidupkan dan mematikan atau perkakas listrik yang dalam penyetelan hidup disambungkan pada listrik, dapat terjadi kecelakaan.
- ▶ **Lepaskan semua perkakas-perkakas penyetelan atau kunci-kunci pas sebelum perkakas listrik dihidupkan.** Perkakas atau kunci yang berada di dalam bagian yang berputar dapat mengakibatkan terjadinya luka-luka.
- ▶ **Aturkan badan sedemikian sehingga Anda bisa bekerja dengan aman. Berdirilah secara mantap dan jagalah selalu keseimbangan.** Dengan demikian Anda bisa mengendalikan perkakas listrik dengan lebih baik, jika terjadi sesuatu dengan tiba-tiba.
- ▶ **Pakailah pakaian yang cocok. Janganlah memakai pakaian yang longgar atau perhiasan. Jagalah supaya rambut, pakaian dan sarung tangan tidak masuk dalam bagian-bagian perkakas yang bergerak.** Pakaian yang longgar, rambut panjang atau perhiasan dapat tersangkut dalam bagian perkakas yang bergerak.
- ▶ **Jika ada kemungkinan untuk memasang sarana penghisapan dan penampungan debu, perhatikan bahwa sarana-sarana ini telah dipasangkan dan digunakan dengan betul.** Penggunaan sarana penghisapan bisa mengurangi bahaya yang disebabkan debu.

38 | Bahasa Indonesia

Penggunaan dan penanganan perkakas listrik dengan seksama

- ▶ **Janganlah membebankan perkakas listrik terlalu berat. Gunakan selalu perkakas listrik yang cocok untuk pekerjaan yang dilakukan.** Dengan perkakas listrik yang cocok Anda bekerja lebih baik dan lebih aman dalam batas-batas kemampuan yang ditentukan.
- ▶ **Janganlah menggunakan perkakas listrik yang tombolnya rusak.** Perkakas listrik yang tidak bisa dihidupkan atau dimatikan, berbahaya dan harus direparasikan.
- ▶ **Tariklah steker dari stopkontak dan/atau keluarkan baterai, sebelum Anda melakukan penyetelan pada perkakas listrik, mengganti alat-alat kerja atau sebelum menyimpan perkakas listrik.** Tindakan keselamatan kerja ini mengurangi bahaya perkakas listrik hidup secara tidak disengaja.
- ▶ **Simpanlah perkakas listrik yang tidak digunakan di luar jangkauan anak-anak. Janganlah mengizinkan orang-orang yang tidak mengenal perkakas listrik ini atau yang belum membaca petunjuk-petunjuk ini, menggunakan perkakas listrik ini.** Perkakas listrik bisa menjadi berbahaya, jika digunakan oleh orang-orang yang tidak mengenalnya.
- ▶ **Rawatlah perkakas listrik dengan seksama. Periksa, apakah bagian-bagian perkakas listrik yang bergerak berfungsi dengan baik dan tidak tersangkut, apakah ada bagian-bagian yang patah atau rusak sedemikian, sehingga dapat mempengaruhi jalannya perkakas listrik. Biarkan bagian-bagian perkakas yang rusak direparasikan, sebelum Anda mulai menggunakan perkakas listrik.** Banyak kecelakaan terjadi karena perkakas listrik tidak dirawat dengan seksama.
- ▶ **Perhatikan supaya alat-alat pemotong selalu tajam dan bersih.** Alat-alat pemotong dengan mata-mata pemotong yang tajam dan dirawat dengan seksama tidak mudah tersangkut dan lebih mudah dikendalikan.
- ▶ **Gunakanlah semua perkakas listrik, aksesor, alat-alat kerja dsb. sesuai dengan petunjuk-petunjuk. Perhatikan syarat-syarat kerja dan macam pekerjaan yang dilakukan.** Penggunaan perkakas listrik untuk macam pekerjaan yang tidak cocok dengan kegunaannya bisa mengakibatkan keadaan yang berbahaya.

Servis

- ▶ **Biarkan perkakas listrik Anda direparasikan hanya oleh orang-orang ahli yang berpengalaman dan hanya dengan menggunakan suku cadang yang asli.** Dengan demikian terjamin keselamatan kerja dengan perkakas listrik ini secara berkesinambungan.

Petunjuk-petunjuk untuk keselamatan kerja untuk mesin gerinda pemotong

- ▶ **Janganlah sekali-kali berdiri di atas perkakas listrik.** Anda bisa terluka berat jika perkakas listrik terjungkir atau Anda secara tidak disengaja terkena pada piringan pemotong.

- ▶ **Gunakanlah selalu kap pelindung.** Kap pelindung melindungi pengguna mesin terhadap bagian-bagian yang patah dari piringan pemotong dan supaya piringan pemotong tidak disentuh secara tidak disengaja.
- ▶ **Perhatikanlah supaya kap pelindung berfungsi dengan baik dan bisa bergerak secara bebas.** Janganlah sekali-kali menjepit kap pelindung dalam kedudukan terbuka.
- ▶ **Gunakanlah perkakas listrik ini hanya untuk pemotongan tanpa air.** Air yang masuk ke dalam perkakas listrik menambah risiko terjadinya kontak listrik.
- ▶ **Jauhkan kabel jaringan dari alat kerja yang berputar.** Kabel jaringan dapat terputus atau tersangkut.
- ▶ **Jagalah supaya pegangan-pegangan dan gagang-gagang selalu kering, bersih dan tidak tercemar oleh minyak dan lemak.** Pegangan dan gagang yang tercemar oleh lemak dan minyak menjadi licin dan membuat perkakas tidak bisa dikendalikan.
- ▶ **Janganlah sekali-kali menyingkirkan sisa-sisa pemotongan, bram dsb. dari bidang pemotongan, selama perkakas listrik sedang jalan.** Anda selalu harus menggerakkan kepala perkakas ke kedudukan parkir dan mematikan perkakas listrik dahulu.
- ▶ **Hidupkan dahulu perkakas listrik, setelah itu piringan pemotong didekatkan pada benda yang akan dikerjakan.** Jika piringan pemotong tersangkut dalam benda yang dikerjakan, bisa terjadi bantingan.
- ▶ **Perkakas listrik hanya boleh digunakan, jika tempat kerja, kecuali benda yang akan dikerjakan, bebas dari semua perkakas penyetelan, bram dsb.** Serpihan logam atau benda-benda lainnya yang terkena pada piringan pemotong yang berputar, bisa terpelanting dengan kecepatan tinggi dan mengenai orang yang bekerja dengan perkakas.
- ▶ **Benda yang dikerjakan selalu harus dipegang dengan alat supaya tidak goyang. Janganlah mengerjakan benda-benda yang terlalu kecil untuk dipegang dengan alat.** Jika tidak, jarak antara tangan Anda dan piringan pemotong yang berputar terlalu kecil.
- ▶ **Jika piringan pemotong tersangkut, matikanlah perkakas listrik dan tunggulah hingga piringan pemotong berhenti memutar. Janganlah sekali-kali menarik piringan pemotong yang masih berputar dari jalur pemotongannya, hal ini dapat mengakibatkan bantingan.** Periksa mengapa piringan pemotong tersangkut dan betulkannya.
- ▶ **Setelah perkakas listrik dimatikan, janganlah meremkan piringan pemotong dengan cara menekannya dari samping.** Piringan pemotong dapat menjadi rusak, terpatah atau mengakibatkan bantingan oleh karenanya.
- ▶ **Janganlah menekankan piringan pemotong dengan paksaan ke dalam benda yang dikerjakan atau jika menggunakan perkakas listrik, janganlah menekannya terlalu keras. Jika mengerjakan sudut-sudut, pinggiran yang tajam dan sebagainya, jagalah supaya piringan pemotong tidak tersangkut.** Jika piringan pemotong rusak karena penggunaan yang salah, piringan pemotong dapat menjadi retak dan tiba-tiba terputus.

- ▶ **Pakailah pakaian kerja (apron). Perhatikanlah supaya tidak ada orang yang dibahayakan oleh pemancaran bunga api. Jauhkan bahan-bahan yang mudah terbakar.** Pada waktu menggerinda bahan-bahan logam terjadi pemancaran bunga api.
- ▶ **Gunakanlah mesin gerinda pemotong hanya untuk mengerjakan bahan-bahan yang disebutkan di dalam bab penggunaan perkakas listrik.** Jika tidak, mesin gerinda pemotong bisa dibebankan terlalu berat.
- ▶ **Janganlah menggunakan piringan pemotong yang rusak, sembul atau yang menyebabkan getaran.** Piringan pemotong yang rusak menyebabkan gesekan yang bertambah besar, bisa terjepit dan menyebabkan bantingan.
- ▶ **Gunakan selalu cakram pemotong dalam ukuran yang benar dan dengan pengeboran yang tepat (contoh: berbentuk belah ketupat atau bulat).** Cakram pemotong yang tidak sesuai dengan bagian rakitan pemotong, tidak akan berjalan melingkar dan mengakibatkan hilangnya kontrol.
- ▶ **Janganlah menggunakan mata gergaji rantai atau mata gergaji yang bergerigi.** Alat kerja-alat kerja demikian sering mengakibatkan bantingan atau membuat perkakas listrik tidak bisa dikendalikan.
- ▶ **Terkait cara memasang dan cara menggunakan piringan pemotong, taatilah petunjuk-petunjuk untuk penggunaan yang disusun oleh produsen piringan pemotong.** Piringan pemotong-piringan pemotong yang tidak cocok dapat mengakibatkan terjadinya luka-luka dan mengakibatkan piringan pemotong memblok, patah atau terjadinya bantingan.
- ▶ **Gunakanlah hanya aksesori yang dirancang khusus untuk perkakas listrik ini dan dianjurkan oleh Bosch.** Jika suatu aksesori bisa dipasangkan pada perkakas listrik milik Anda, ini tidak berarti bahwa penggunaannya yang aman terjamin.
- ▶ **Janganlah memegang piringan pemotong segera setelah berhenti bekerja, tunggulah sampai piringan pemotong menjadi dingin.** Piringan pemotong menjadi sangat panas jika digunakan.
- ▶ **Periksalah secara berkala kabel listrik dan biarkan kabel listrik yang rusak direparasikan hanya oleh Service Center untuk perkakas listrik Bosch yang resmi. Kabel penyambung yang rusak harus digantikan.** Dengan demikian keselamatan kerja dengan perkakas listrik ini selalu terjamin.
- ▶ **Simpankan perkakas listrik yang tidak digunakan dengan baik. Tempat untuk menyimpan harus kering dan dapat dikunci.** Dengan demikian dihindarkan bahwa perkakas listrik menjadi rusak selama disimpan atau digunakan oleh orang-orang yang tidak mampu menggunakannya.
- ▶ **Usahakan supaya benda yang dikerjakan tidak goyang.** Benda yang ditahan dalam alat pemegang atau bais lebih mantap daripada benda yang dipegang dengan tangan.

- ▶ **Janganlah sekali-kali meninggalkan perkakas listrik, jika masih belum berhenti sama sekali.** Alat kerja yang masih berputar bisa mengakibatkan terjadinya luka-luka.
- ▶ **Janganlah menggunakan perkakas listrik, jika kabelnya rusak. Janganlah menyentuh kabel yang rusak dan tariklah steker dari stopkontak, jika kabel menjadi rusak selama penggunaan perkakas listrik.** Kabel yang rusak membuat risiko terjadinya kontak listrik menjadi lebih besar.

Simbol-Simbol

Simbol-simbol berikut bisa sangat membantu Anda selama penggunaan perkakas listrik. Pelajari dan ingati simbol-simbol berikut dan maknanya. Pengertian yang betul dari simbol-simbol ini bisa membantu Anda untuk menggunakan perkakas listrik dengan jitu dan aman.

Simbol	Arti
	▶ Jagalah supaya tangan-tangan Anda tidak mendekati bidang pemotongan, selama perkakas listrik sedang jalan. Sentuhan pada piringan pemotong bisa mengakibatkan luka-luka.
	▶ Pakailah pemalut telinga. Jika Anda mendengar suara bising untuk waktu yang lama, daya pendengaran bisa berkurang.
	▶ Pakailah kaca mata pelindung.
	▶ Pakailah masker anti debu.
	▶ Pakailah sarung tangan pelindung.

Penjelasan tentang produk dan daya

- ▶ **Bacalah semua petunjuk-petunjuk untuk keselamatan kerja dan petunjuk-petunjuk untuk penggunaan.** Kesalahan dalam menjalankan petunjuk-petunjuk untuk keselamatan kerja dan petunjuk-petunjuk untuk penggunaan dapat mengakibatkan kontak listrik, kebakaran dan/atau luka-luka yang berat.

Penggunaan alat

Perkakas listrik ini sebagai perkakas tetap dan dengan menggunakan piringan pemotong, cocok untuk memotong bahan-bahan logam tanpa air dalam arah memanjang dan melintang secara tegak lurus atau bersudut hingga 45°.

40 | Bahasa Indonesia

Bagian-bagian pada gambar

Nomor-nomor dari bagian-bagian sesuai dengan nomor-nomor pada gambar perkakas listrik pada halaman bergambar.

- 1 Tombol pengunci untuk tombol untuk menghidupkan dan mematikan
- 2 Tombol untuk menghidupkan dan mematikan
- 3 Pegangan
- 4 Kap pelindung yang bisa bergerak
- 5 Penguncian poros
- 6 Piringan pemotong
- 7 Sandaran
- 8 Ulir
- 9 Mur yang bisa dibuka
- 10 Gagang ulir
- 11 Lubang-lubang untuk pemasangan
- 12 Kunci mur dalam (8 mm)
- 13 Pelat dasar
- 14 Baut pengunci untuk sandaran
- 15 Kunci untuk transpor
- 16 Kepala perkakas
- 17 Pegangan untuk mengangkat selama transpor
- 18 Kap pelindung
- 19 Pelindung terhadap pemancaran bunga api
- 20 Poros kerja
- 21 Flens pemegang
- 22 Ring plat
- 23 Baut berkepala segi enam

Aksesori yang ada pada gambar atau yang dijelaskan, tidak termasuk pasokan standar dari perkakas listrik. Semua aksesori yang ada bisa Anda lihat dalam program aksesori Bosch.

Data teknis

Mesin gerinda pemotong	GCO 14-24	
Nomor model	3 601 M37 1..	
Masukan nominal	W	2400
Kecepatan putaran tanpa beban	min ⁻¹	3800
Berat sesuai dengan EPTA-Procedure 01/2003	kg	17
Klasifikasi keamanan		□/II

Ukuran benda yang dikerjakan (maks./min.) lihat hal. 42.
Data-data berlaku untuk tegangan nominal [U] 230 V. Pada tegangan yang lebih rendah dan pada model khusus mancanegara data-data ini bisa berlainan.

Ukuran piringan pemotong yang cocok		
Diameter maks. piringan pemotong	mm	355
Ketebalan maks. piringan pemotong	mm	3
Diameter lubang penahan	mm	25,4

Cara memasang

- ▶ **Perhatikanlah supaya perkakas listrik tidak dihidupkan secara tidak disengaja. Selama melakukan pemasangan dan pekerjaan lainnya pada perkakas listrik, steker tidak boleh disambungkan pada pengadaan listrik.**

Pasokan standar

Keluarkan semua komponen yang termasuk pasokan dengan hati-hati dari kemasannya.

Singkirkan semua bahan kemasan dari perkakas listrik dan dari aksesori yang termasuk pasokan.

Sebelum menggunakan perkakas listrik untuk pertama kalinya, periksalah apakah semua bagian-bagian yang tersebut di bawah ini termasuk pasokan:

- Mesin gerinda pemotong dengan piringan pemotong yang terpasang
- Kunci L **12**

Petunjuk: Periksalah perkakas listrik apakah ada yang rusak. Sebelum mulai menggunakan perkakas listrik, periksalah dengan seksama semua sarana perlindungan atau bagian-bagian yang rusak sedikit, apakah berfungsi dengan baik dan sesuai dengan tujuannya. Periksalah apakah bagian-bagian yang bergerak berfungsi dengan baik dan tidak terjepit, atau apakah ada bagian-bagian yang rusak. Semua bagian-bagian harus sudah dipasangkan dengan betul dan memenuhi semua persyaratan, untuk menjamin penggunaan perkakas listrik yang mulus.

Sarana-sarana perlindungan dan bagian-bagian yang rusak harus direparasikan atau digantikan secara betul oleh bengkel yang ahli dan terakui.

Pemasangan secara tetap atau fleksibel

- ▶ **Untuk menjamin keselamatan kerja dengan perkakas listrik, perkakas listrik sebelum digunakan harus dipasangkan dahulu pada tempat kerja yang datar dan stabil (misalnya meja kerja).**

Pemasangan pada tempat kerja (lihat gambar A)

- Pasangkan perkakas listrik pada tempat kerja dengan cara penyekrupan yang cocok. Untuk hal ini ada lubang-lubang bor **11**.

Pemasangan yang fleksibel (tidak dianjurkan!)

Jika kadang-kadang keadaan tidak mengizinkan untuk memasangkan perkakas listrik secara teguh pada tempat kerja, Anda dapat membuat perkecualian dengan cara meletakkan kaki-kaki dari pelat dasar **13** pada alas yang cocok untuk itu (mis. meja kerja, lantai yang datar dsb.), tanpa memantapkan perkakas listrik dengan penyekrupan.

Mengganti alat kerja (lihat gambar-gambar B1 – B2)

- ▶ **Sebelum mulai dengan pekerjaan pada perkakas listrik, tariklah steker dari stopkontak.**
- ▶ **Gerakkan penguncian poros 5 hanya jika sumbu kerja 20 tidak berputar.** Jika tidak, perkakas listrik dapat menjadi rusak oleh karenanya.

- ▶ **Janganlah memegang piringan pemotong segera setelah berhenti bekerja, tungguh sampai piringan pemotong menjadi dingin.** Piringan pemotong menjadi sangat panas jika digunakan.

Gunakanlah selalu hanya piringan pemotong dengan kecepatan maksimal yang diizinkan, yang sama atau yang lebih tinggi dari kecepatan putaran tanpa beban dari perkakas listrik Anda.

Gunakanlah selalu hanya piringan pemotong yang mempunyai data-data seperti yang dicantumkan dalam petunjuk-petunjuk ini dan telah diuji coba dan diberi tanda menurut peraturan EN 12413.

Simpankan piringan pemotong yang tidak digunakan dalam kotak yang tertutup atau dalam kemasan aslinya. Simpankan piringan pemotong secara mendarat.

Melepaskan piringan pemotong

- Setelkan perkakas listrik ini dalam kedudukan siap untuk bekerja. (lihat „Melepaskan penguncian perkakas listrik (susunan siap kerja)“, halaman 41)
- Putarkan kap pelindung yang bisa bergerak **4** ke belakang sampai batas.
- Putar baut heksagonal **23** dengan kunci L yang tersedia **12** dan tekan pengunci poros dalam waktu bersamaan **5**, sampai kuat terkunci.
- Tahankan tekanan pada penguncian poros dan putarkan baut berkepala segi enam **23** ke luar.
- Lepaskan ring plat **22** dan flens pemegang **21**.
- Lepaskan piringan pemotong **6**.

Memasang piringan pemotong

Jika perlu, sebelum melakukan pemasangan, bersihkan dahulu semua bagian-bagian yang akan dipasang.

- Pasangkan piringan pemotong yang baru pada sumbu kerja **20** sedemikian, sehingga label tempelan menghadap ke arah yang berlawanan dengan kepala perkakas.
- Pasang flens penjepit **21**, cincin **22** dan baut heksagonal **23**.
Tekan kunci spindel **5** sampai terkunci kuat dan kencangkan kembali baut heksagonal **23** searah jarum jam. (Momen penguncian kira-kira 18–20 Nm)
- Putarkan kap pelindung yang bisa bergerak **4** perlahan-lahan ke bawah sampai batas, hingga piringan pemotong tertutup.
- Periksa apakah kap pelindung yang bisa bergerak **4** berfungsi dengan betul.

Setelah memasang piringan pemotong dan sebelum menghidupkan perkakas listrik, periksa apakah piringan pemotong sudah dipasang dengan betul dan dapat berputar secara bebas.

- Perhatikanlah supaya piringan pemotong tidak bersentuhan dengan kap pelindung yang bisa bergerak **4**, kap pelindung **18** yang tetap atau bagian-bagian yang lain.
- Gunakanlah perkakas listrik selama kira-kira 30 detik. Jika terjadi vibrasi (getaran) yang kuat, matikan segera perkakas listrik, lepaskan piringan pemotong, kemudian pasang kembali piringan pemotong dengan betul.

Penggunaan

- ▶ **Sebelum mulai dengan pekerjaan pada perkakas listrik, tarikhlah steker dari stopkontak.**

Penguncian selama transpor (lihat gambar C)

Dengan kunci untuk transpor **15**, mengangkat perkakas listrik ini ke berbagai tempat penggunaannya menjadi lebih mudah.

Melepaskan penguncian perkakas listrik (susunan siap kerja)

- Tekankan kepala perkakas sedikit ke bawah pada pegangannya **3** untuk melepaskan kunci untuk transpor **15**.
- Tarikkan kunci untuk transpor **15** ke luar sama sekali.
- Gerakkan kepala perkakas perlahan-lahan ke atas.

Petunjuk: Pada waktu menggunakan perkakas listrik, perhatikanlah bahwa kunci untuk transpor tidak tertekan ke dalam, jika tertekan ke dalam, kepala perkakas tidak bisa digerakkan ke kedalaman yang diperlukan.

Mengunci perkakas listrik (susunan transpor)

- Putarkan kepala perkakas ke bawah sampai kunci untuk transpor **15** bisa ditekan ke dalam sampai batas.

Terkait petunjuk-petunjuk lainnya untuk transpor lihat halaman 43.

Menyetel sudut pemotongan (lihat gambar D)

Sudut pemotongan bisa disetelkan dalam batas-batas penyetelan dari 0° sampai 45°.

Nilai-nilai penyetelan yang penting ditandai pada sandaran **7**. Posisi 0° dan 45° dijamin oleh penyetelan sampai batas masing-masing.

- Lepas skrup pengencang **14** pada pengukur sudut dengan menggunakan kunci L yang tersedia **12** (8 mm).
- Setelkan sudut pemotongan yang diperlukan dan kemudian kencangkan kembali kedua baut pengunci **14**.

Merubah kedudukan sandaran (lihat gambar D dan E)

Anda dapat menggeserkan sandaran **7** ke belakang, jika Anda hendak memotong benda-benda yang lebih lebar daripada 140 mm.

- Buka skrup pengencang **14** dengan menggunakan kunci L yang tersedia **12** (8 mm).
- Geserkan sandaran **7** sebanyak jarak yang dibutuhkan sebesar satu atau dua lubang bor ke belakang.
- Setelkan sudut pemotongan yang diperlukan dan kemudian kencangkan kembali kedua baut pengunci **14**.

Mengencangkan benda yang dikerjakan (lihat gambar E)

Untuk menjamin keselamatan kerja yang sebesar-besarnya, benda yang dikerjakan selalu harus dikencangkan. Janganlah mengerjakan benda-benda yang terlalu kecil untuk dipegang dengan alat.

Benda-benda yang dikerjakan yang panjang harus dilandasi atau ditopangkan pada ujungnya.

42 | Bahasa Indonesia

- Letakkan benda yang dikerjakan pada sandaran **7**.
- Dorongkan ulir **8** pada benda yang dikerjakan dan kencangkan benda yang dikerjakan dengan memutar gagang ulir **10**.

Melepaskan benda yang dikerjakan

- Kendorkan gagang ulir **10**.
- Buka mur yang bisa dibuka **9** dan tarikkan ulir **8** menjauh dari benda yang dikerjakan.

Cara penggunaan

- ▶ **Perhatikan tegangan jaringan listrik! Tegangan jaringan listrik harus sesuai dengan tegangan listrik yang tercantum pada label tipe perkakas listrik.**
- ▶ **Sebelum menggunakan piringan pemotong, periksalah piringan pemotong. Piringan pemotong harus terpasangkan dengan betul dan harus bisa bergerak secara bebas. Lakukanlah uji coba tanpa pembebanan selama paling sedikit 30 detik. Janganlah menggunakan piringan pemotong yang rusak, sembul atau bervibrasi.** Piringan pemotong yang rusak dapat menjadi pecah dan mengakibatkan terjadinya luka-luka.

Debu dari bahan-bahan seperti misalnya cat yang mengandung timbel (timah hitam), bahan mineral dan logam bisa berbahaya bagi kesehatan. Menyentuh atau menghirup debu-debu ini bisa mengakibatkan reaksi alergi dan/atau penyakit saluran pernafasan pada orang yang menggunakan mesin atau orang yang berada di dekatnya.

Debu logam-logam tertentu dianggap berbahaya, terutama dalam campuran dengan logam paduan seperti misalnya seng, aluminium atau krom. Bahan-bahan yang mengandung asbes hanya boleh dikerjakan oleh orang-orang yang ahli.

- Perhatikanlah supaya ada pertukaran udara di tempat kerja.
- Kami anjurkan supaya Anda memakai kedok anti debu dengan saringan (filter) kelas P2.

Taatilah peraturan-peraturan untuk bahan-bahan yang dikerjakan yang berlaku di negara Anda.

Piringan pemotong dapat memblok oleh karena ada debu, bram atau pecahan benda yang dikerjakan di dalam lubang dari pelat dasar **13**.

- Matikan perkakas listrik dan tarikkan steker dari stopkontak.
- Tunggulah hingga piringan pemotong berhenti memutar sama sekali.
- Miringkan perkakas listrik ke belakang, supaya bagian-bagian yang kecil dari benda yang dikerjakan dapat terjatuh ke luar dari lubang yang khusus untuk maksud ini. Jika perlu, gunakanlah alat yang cocok untuk menyingkirkan semua bagian-bagian dari benda yang dikerjakan.

- ▶ **Hindari debu yang banyak terkumpul di tempat kerja.** Debu dapat menyulut dengan mudahnya.

Tempat orang yang bekerja dengan perkakas listrik (lihat gambar F)

- ▶ **Janganlah berdiri di depan perkakas listrik dalam satu garis dengan piringan pemotong, melainkan berdirilah selalu di samping piringan pemotong.** Dengan demikian tubuh Anda terlindung lebih baik terhadap serpihan piringan pemotong, jika piringan pemotong patah.

Menghidupkan dan mematikan (lihat gambar G)

Untuk menghemat energi, hidupkan perkakas listrik hanya jika Anda menggunakannya.

- Untuk **menghidupkan**, tekan tombol untuk menghidupkan dan mematikan **2** dan tahan tekan.
- Untuk **mengunci** tombol untuk menghidupkan dan mematikan **2** yang tertekan, tekan tombol pengunci **1**.
- Untuk **mematikan**, lepaskan tombol untuk menghidupkan dan mematikan **2**.

Jika tombol untuk menghidupkan dan mematikan terkunci, tekan tombol ini sampai batas hingga penguncian tombol terbuka dan setelah itu tombol untuk menghidupkan dan mematikan dilepaskan.

Petunjuk-petunjuk untuk pemakaian**Petunjuk-petunjuk umum untuk memotong**

- ▶ **Janganlah memegang piringan pemotong segera setelah berhenti bekerja, tunggulah sampai piringan pemotong menjadi dingin.** Piringan pemotong menjadi sangat panas jika digunakan.
- ▶ **Perhatikanlah supaya pelindung terhadap pemancaran bunga api 19 telah dipasangkan dengan betul.** Selama menggerinda bahan logam terjadi pemancaran bunga api.

Lindungilah piringan pemotong terhadap sengokan, benturan dan lemak. Janganlah menekan piringan pemotong dari sisi sampingnya.


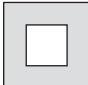
Janganlah membebankan perkakas listrik terlalu berat sehingga berhenti memutar.


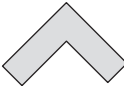
Dorongan yang terlalu keras sangat mengurangi daya dari perkakas listrik dan membuat piringan pemotong cepat aus.

Gunakanlah selalu piringan pemotong yang cocok untuk mengerjakan bahan dari benda yang dikerjakan.

Ukuran benda yang dapat dikerjakan

Ukuran **maksimal**:

Bentuk benda yang dikerjakan	Sudut potong	
	0°	45°
	129 Ø	128 Ø
	119 x 119	110 x 110

Bentuk benda yang dikerjakan	Sudut potong	
	0°	45°
	100 x 196	107 x 115
	130 x 130	115 x 115

Ukuran minimal

(= semua benda-benda yang masih dapat dikencangkan dengan ulir **8**): panjang 80 mm

Kedalaman pemotongan maks. (0°/0°): 129 mm

Memotong logam

- Setelkan sudut potong yang diperlukan.
- Kencangkan benda yang akan dikerjakan sesuai dengan ukurannya.
- Hidupkan perkakas listrik.
- Gerakkan kepala perkakas pada pegangannya **3** perlahan-lahan ke bawah.
- Potongkan benda yang dikerjakan dengan tekanan ke depan yang rata.
- Matikan perkakas listrik dan tunggulah hingga piringan pemotong berhenti memutar sama sekali.
- Gerakkan kepala perkakas perlahan-lahan ke atas.

Transpor

- Angkatkan selalu perkakas listrik pada pegangan untuk mengangkat selama transpor **17**.

- ▶ **Angkatkan selalu perkakas listrik berdua, supaya punggung Anda tidak cedera.**
- ▶ **Pada waktu mentranspor perkakas listrik, gunakanlah hanya sarana untuk mentranspor dan jangan sekali-kali menggunakan sarana pelindung untuk mentranspor.**

Rawatan dan servis**Rawatan dan kebersihan**

- ▶ **Sebelum mulai dengan pekerjaan pada perkakas listrik, tariklah steker dari stopkontak.**
- ▶ **Bersihkan lubang ventilasi-lubang ventilasi dari perkakas listrik Anda secara berkala dengan sikat yang lunak.** Kipas angin dari motor menarik debu ke dalam rumahan, dan debu dari logam dalam jumlah yang banyak dapat mengakibatkan bahaya terkait listrik.
- ▶ **Gunakanlah selalu alat penghisap pada penggunaan tertentu jika memungkinkan. Tiuplah dengan rutin kisi-kisi ventilasi dan nyalakan sisa pemutus arus (PRCD).** Saat pengerjaan bahan logam, debu konduktif dapat disimpan di dalam perkakas listrik. Isolasi keselamatan dari perkakas listrik dapat terganggu.

- ▶ **Biarkan perkakas listrik dirawat dan direparasikan hanya oleh tenaga ahli yang berpengalaman saja.** Dengan demikian keselamatan kerja dengan perkakas listrik terjamin secara sinambung.

Jika kabel listrik harus digantikan, pekerjaan ini harus dilakukan oleh Bosch atau Service Center untuk perkakas listrik Bosch yang resmi, supaya keselamatan kerja selalu terjamin.

Kap pelindung yang bisa bergerak harus dapat bergerak secara bebas dan menutup sendiri. Karena itu, jagalah supaya bidang di sekeliling kap pelindung yang bisa bergerak, selalu bersih.

Aksesori

Nomor model	
Cakram pemotong untuk semua bahan logam	
Piringan pemotong 355 x 25,4 mm	2 608 600 208
Piringan pemotong 355 x 25,4 mm	2 608 600 223

Layanan pasca beli dan konseling terkait pengoperasian

Layanan pasca beli Bosch menjawab semua pertanyaan Anda terkait reparasi dan maintenance serta suku cadang produk ini. Gambar tiga dimensi dan informasi terkait suku cadang dapat Anda lihat di:

www.bosch-pt.com

Tim konseling pengoperasian dari Bosch dengan senang hati membantu Anda, jika Anda hendak bertanya tentang produk-produk kami dan aksesorisnya.

Jika Anda hendak menanyakan sesuatu atau memesan suku cadang, sebutkan selalu nomor model yang terdiri dari 10 angka dan tercantum pada label tipe produk.

Indonesia

PT Robert Bosch
Palma Tower 10th Floor
Jl. RA Kartini Il-S Kaveling 6 Sek II
Pondok Pinang, Kebayoran Lama
Jakarta Selatan 12310
Indonesia
Tel.: (021) 3005 5800
Fax: (021) 3005 5801
E-Mail: boschpowertools@id.bosch.com
www.bosch-pt.co.id

Cara membuang

Perkakas listrik, aksesori dan kemasan sebaiknya didaur ulang sesuai dengan upaya untuk melindungi lingkungan hidup.

Janganlah membuang perkakas listrik dalam sampah rumah tangga!

Perubahan dapat terjadi tanpa pemberitahuan sebelumnya.

Tiếng Việt

Các Nguyên Tắc An Toàn

Cảnh báo tổng quát cách sử dụng an toàn dụng cụ điện cầm tay

! **CẢNH BÁO** Khi sử dụng dụng cụ điện, người sử dụng phải luôn luôn tuân theo các cách để phòng an toàn cơ bản để làm giảm nguy cơ cháy, điện giật hay gây thương tích cho bản thân, kể cả việc sau đây.

Đọc tất cả các hướng dẫn này trước khi dự định thử vận hành sản phẩm này và hãy giữ lại các hướng dẫn này.

Thuật ngữ “dụng cụ điện” trong phần cảnh báo là để cập đến sự sử dụng dụng cụ điện, loại hoạt động bằng nguồn điện chính (có dây cắm điện) và hoạt động bằng pin (không có dây cắm điện).

Khu vực làm việc an toàn

- ▶ **Giữ nơi làm việc sạch và đủ ánh sáng.** Nơi làm việc bừa bộn và tối tăm dễ gây ra tai nạn.
- ▶ **Không vận hành dụng cụ điện cầm tay trong môi trường dễ gây nổ, chẳng hạn như nơi có chất lỏng dễ cháy, khí đốt hay rác.** Dụng cụ điện cầm tay tạo ra các tia lửa nên có thể làm rác bên cháy hay bốc khói.
- ▶ **Không để trẻ em hay người đến xem đứng gần khi vận hành dụng cụ điện cầm tay.** Sự phân tâm có thể gây ra sự mất điều khiển.

An toàn về điện

- ▶ **Phích cắm của dụng cụ điện cầm tay phải thích hợp với ổ cắm.** Không bao giờ được cải biến lại phích cắm dưới mọi hình thức. Không được sử dụng phích cắm tiếp nối tiếp đất (dây mát). Phích cắm nguyên bản và ổ cắm đúng loại sẽ làm giảm nguy cơ bị điện giật.
- ▶ **Tránh không để thân thể tiếp xúc với đất hay các vật có bề mặt tiếp đất như đường ống, lò sưởi, hàng rào và tủ lạnh.** Có nhiều nguy cơ bị điện giật hơn nếu cơ thể bạn bị tiếp hay nối đất.
- ▶ **Không được để dụng cụ điện cầm tay ngoài mưa hay ở tình trạng ẩm ướt.** Nước vào máy sẽ làm tăng nguy cơ bị điện giật.
- ▶ **Không được lạm dụng dây dẫn điện.** Không bao giờ được nắm dây dẫn để xách, kéo hay rút phích cắm dụng cụ điện cầm tay. Không để dây gần nơi có nhiệt độ cao, dầu nhớt, vật nhọn bén hay bộ phận chuyển động. Làm hỏng hay cuộn rối dây dẫn làm tăng nguy cơ bị điện giật.
- ▶ **Khi sử dụng dụng cụ điện cầm tay ngoài trời, dùng dây nối thích hợp cho việc sử dụng ngoài trời** làm giảm nguy cơ bị điện giật.

- ▶ **Nếu việc sử dụng dụng cụ điện cầm tay ở nơi ẩm ướt là không thể tránh được, dùng thiết bị ngắt mạch tự động (RCD) bảo vệ nguồn.** Sử dụng thiết bị ngắt mạch tự động RCD làm giảm nguy cơ bị điện giật.

An toàn cá nhân

- ▶ **Hãy tỉnh táo, biết rõ mình đang làm gì và hãy sử dụng ý thức khi vận hành dụng cụ điện cầm tay. Không sử dụng dụng cụ điện cầm tay khi đang mệt mỏi hay đang bị tác động do chất gây nghiện, rượu hay dược phẩm gây ra.** Một thoáng mất tập trung khi đang vận hành dụng cụ điện cầm tay có thể gây thương tích nghiêm trọng cho bản thân.
- ▶ **Sử dụng trang bị bảo hộ cá nhân. Luôn luôn đeo kính bảo vệ mắt.** Trang bị bảo hộ như khẩu trang, giày chống trượt, nón bảo hộ, hay dụng cụ bảo vệ tai khi được sử dụng đúng nơi đúng chỗ sẽ làm giảm nguy cơ thương tật cho bản thân.
- ▶ **Phòng tránh máy khởi động bất ngờ. Bảo đảm công tắc máy ở vị trí tắt trước khi cắm vào nguồn điện và/hay lắp pin vào, khi nhắc máy lên hay khi mang xách máy.** Ngáng ngón tay vào công tắc máy để xách hay kích hoạt dụng cụ điện cầm tay khi công tắc ở vị trí mở dễ dẫn đến tai nạn.
- ▶ **Lấy mọi chia hay khóa điều chỉnh ra trước khi mở điện dụng cụ điện cầm tay.** Khóa hay chia còn gắn dính vào bộ phận quay của dụng cụ điện cầm tay có thể gây thương tích cho bản thân.
- ▶ **Không rướn người. Luôn luôn giữ tư thế đứng thích hợp và thăng bằng.** Điều này tạo cho việc điều khiển dụng cụ điện cầm tay tốt hơn trong mọi tình huống bất ngờ.
- ▶ **Trang phục thích hợp. Không mặc quần áo rộng lủng thụng hay mang trang sức. Giữ tóc, quần áo và găng tay xa khỏi các bộ phận chuyển động.** Quần áo rộng lủng thụng, đồ trang sức hay tóc dài có thể bị cuốn vào các bộ phận chuyển động.
- ▶ **Nếu có các thiết bị đi kèm để nối máy hút bụi và các phụ kiện khác, bảo đảm các thiết bị này được nối và sử dụng tốt.** Việc sử dụng các thiết bị gom hút bụi có thể làm giảm các độc hại liên quan đến bụi gây ra.

Sử dụng và bảo dưỡng dụng cụ điện cầm tay

- ▶ **Không được ép máy. Sử dụng dụng cụ điện cầm tay đúng loại theo đúng ứng dụng của bạn.** Dụng cụ điện cầm tay đúng chức năng sẽ làm việc tốt và an toàn hơn theo đúng tiến độ mà máy được thiết kế.

- ▶ **Không sử dụng dụng cụ điện cầm tay nếu như công tắc không tắt và mở được.** Bất kỳ dụng cụ điện cầm tay nào mà không thể điều khiển được bằng công tắc là nguy hiểm và phải được sửa chữa.
 - ▶ **Rút phích cắm ra khỏi nguồn điện và/hay pin ra khỏi dụng cụ điện cầm tay trước khi tiến hành bất kỳ điều chỉnh nào, thay phụ kiện, hay cất dụng cụ điện cầm tay.** Các biện pháp ngăn ngừa như vậy làm giảm nguy cơ dụng cụ điện cầm tay khởi động bất ngờ.
 - ▶ **Cất giữ dụng cụ điện cầm tay không dùng tới nơi trẻ em không lấy được và không cho người chưa từng biết dụng cụ điện cầm tay hay các hướng dẫn này sử dụng dụng cụ điện cầm tay.** Dụng cụ điện cầm tay nguy hiểm khi ở trong tay người chưa được chỉ cách sử dụng.
 - ▶ **Bảo quản dụng cụ điện cầm tay.** Kiểm tra xem các bộ phận chuyển động có bị sai lệch hay kẹt, các bộ phận bị rạn nứt và các tình trạng khác có thể ảnh hưởng đến sự vận hành của máy. Nếu bị hư hỏng, phải sửa chữa máy trước khi sử dụng. Nhiều tai nạn xảy ra do bảo quản dụng cụ điện cầm tay tồi.
 - ▶ **Giữ các dụng cụ cắt bén và sạch.** Bảo quản đúng cách các dụng cụ cắt có cạnh cắt bén làm giảm khả năng bị kẹt và dễ điều khiển hơn.
 - ▶ **Sử dụng dụng cụ điện cầm tay, phụ kiện, đầu cài v. v., đúng theo các chỉ dẫn này, hãy lưu ý đến điều kiện làm việc và công việc phải thực hiện.** Sử dụng dụng cụ điện cầm tay khác với mục đích thiết kế có thể tạo nên tình huống nguy hiểm.
- Bảo dưỡng**
- ▶ **Đưa dụng cụ điện cầm tay của bạn đến thợ chuyên môn để bảo dưỡng, chỉ sử dụng phụ tùng đúng chủng loại để thay.** Điều này sẽ đảm bảo sự an toàn của máy được giữ nguyên.
- Cảnh Báo An Toàn cho Máy Cắt Dĩa**
- ▶ **Không bao giờ được đứng lên trên dụng cụ điện cầm tay.** Có thể xảy ra tổn thương nghiêm trọng khi dụng cụ điện bị lật nghiêng hay khi vô ý chạm phải lưỡi cắt.
 - ▶ **Luôn luôn sử dụng chắn bảo vệ lưỡi.** Chắn bảo vệ lưỡi bảo vệ người sử dụng không bị các mảnh vỡ của đĩa cắt văng trúng hay vô tình chạm vào đĩa cắt.
 - ▶ **Đảm bảo chắn bảo vệ lưỡi hoạt động đúng cách và có thể chuyển động tự do.** Không bao giờ được kẹp chắn bảo vệ một chỗ trong khi kéo thụt vào.
 - ▶ **Chỉ sử dụng dụng cụ điện cầm tay để cắt khô.** Để nước lọt vào bên trong dụng cụ điện làm tăng nguy cơ bị điện giật.
 - ▶ **Giữ cho dây dẫn nguồn điện chính tránh xa các dụng cụ ứng dụng quay.** Dây dẫn nguồn điện chính có thể bị cắt đứt hay vướng vào.
 - ▶ **Giữ tay nắm khô ráo, sạch sẽ, và không dính dầu hay mỡ.** Mỡ, dầu nhớt làm tay nắm trơn trượt, làm mất sự điều khiển máy.
 - ▶ **Không bao giờ được lấy các mụn cưa còn vướng dính, phôi kim loại v.v., ra khỏi phạm vi cửa trong khi máy đang hoạt động.** Luôn luôn đưa tay máy về lại vị trí trung gian trước, rồi sau đó mới tắt máy đi.
 - ▶ **Đẩy lưỡi cắt cho ăn vào vật gia công chỉ khi đã mở máy.** Nếu không, có nguy cơ bị dội ngược khi lưỡi cắt bị chêm chặt trong vật gia công.
 - ▶ **Chỉ cho dụng cụ điện hoạt động khi đã dọn hết các vật dụng cụ điều chỉnh, phôi kim loại v.v.. ra khỏi từ phạm vi hoạt động của máy dẫn đến vật gia công.** Các mảnh kim loại nhỏ hay các vật dụng khác khi chạm vào đĩa cắt đang quay có thể bật trúng người vận hành với tốc độ cao.
 - ▶ **Luôn luôn kẹp chặt vật gia công.** Không nên cắt vật gia công không kẹp được vì quá nhỏ. Nếu không, khoảng cách giữa tay bạn với đĩa cắt đang quay là quá nhỏ.
 - ▶ **Nếu đĩa cắt bị kẹp chặt, hãy tắt máy và đợi cho đến khi đĩa cắt đã hoàn toàn ngừng hẳn.** Không bao giờ cố ý lấy đĩa cắt vẫn còn đang quay ra khỏi mạch cắt, nếu không, thì sẽ có nguy cơ bị dội ngược lại. Xác định và chỉnh sửa nguyên nhân gây ra sự kẹp chặt.
 - ▶ **Sau khi tắt máy, không được làm cho đĩa cắt ngừng quay bằng cách tạo lực cạ vào bên hông đĩa.** Đĩa cắt có thể bị hư, vỡ bể hay dẫn đến sự dội ngược.
 - ▶ **Không được dùng áp lực ép đĩa cắt cắt vào vật gia công, và không đặt quá nhiều sức ép lên dụng cụ cụ điện.** Đặc biệt là tránh cho đĩa cắt bị kẹp chặt hay bị chêm chặt khi gia công các góc hay cạnh bén. Khi đĩa cắt bị hư hỏng do bị sử dụng sai cách, đĩa có thể hình thành các vết nứt và dẫn đến sự vỡ đĩa mà không có sự báo trước.
 - ▶ **Hãy mang tạp dề lao động.** Hãy lưu ý không để những người khác gặp phải nguy hiểm do các tia lửa bắn ra. Di dời các vật dễ cháy gần đó ra chỗ khác. Các tia lửa bắn ra phát sinh khi cắt kim loại.
 - ▶ **Chỉ sử dụng máy cắt đĩa để gia công các vật liệu được đề cập sau đây "Dự Định Sử Dụng".** Nếu không, máy cắt đĩa có thể khó tránh khỏi bị quá tải.

46 | Tiếng Việt

- ▶ **Không được sử dụng đĩa cắt đã hỏng, chạy lệch tâm hay bị rung lắc.** Đĩa cắt bị hỏng có thể làm tăng độ ma sát, làm cho lưỡi cắt bị kẹt và giật ngược.
- ▶ **Luôn luôn sử dụng các cắt đĩa đúng kích cỡ và có lỗ định vị phù hợp (ví dụ như hình thoi hoặc hình tròn).** Các đĩa cắt không phù hợp với phần lắp ráp của máy mài góc sẽ chạy lệch tâm, gây mất điều khiển.
- ▶ **Không lắp lưỡi cưa xích, dao khắc gỗ hay lưỡi cưa răng vào.** Những loại lưỡi như vậy thường xuyên tạo ra sự dội ngược và làm mất sự điều khiển dụng cụ điện.
- ▶ **Tuân theo các hướng dẫn sử dụng của nhà sản xuất đĩa cắt để lắp ráp và sử dụng đĩa cắt.** Đĩa cắt không vừa với máy có thể gây thương tích, cũng như làm đĩa bị kẹt chặt, vỡ bể hay dội ngược.
- ▶ **Không sử dụng loại phụ tùng không được thiết kế chuyên dụng và đã được nhà sản xuất máy khuyến cáo.** Chỉ vì phụ tùng có thể lắp vào được dụng cụ điện của bạn, nó không đảm bảo sự vận hành an toàn.
- ▶ **Không được chạm vào lưỡi cắt ngay sau khi xong việc, hãy để cho lưỡi cắt nguội lại trước đã.** Lưỡi cắt trở nên rất nóng trong thời gian hoạt động.
- ▶ **Kiểm tra dây cáp dẫn điện thường xuyên và sử dụng sửa chữa dây cáp bị hỏng chỉ được thông qua một đại lý ủy quyền dịch vụ khách hàng dụng cụ điện Bosch.** Thay dây cáp nối dài bị hư hỏng. Điều này sẽ đảm bảo cho sự an toàn của dụng cụ điện được giữ nguyên.
- ▶ **Bảo quản an toàn cho máy khi không sử dụng.** Nơi bảo quản máy phải khô ráo và có thể khóa lại được. Điều này phòng tránh cho máy không bị hư hại khi lưu kho, và ngăn người chưa được học cách sử dụng vận hành.
- ▶ **Kẹp chặt vật gia công.** Vật gia công được kẹp bằng một thiết bị kẹp hay bằng ê-tô thì vững chắc hơn giữ bằng tay.
- ▶ **Không bao giờ rời khỏi máy trước khi máy đã hoàn toàn dừng hẳn.** Các dụng cụ cắt vẫn đang còn chạy có thể gây thương tích.
- ▶ **Không bao giờ được sử dụng máy có dây dẫn bị hỏng.** Không được chạm vào dây dẫn bị hỏng và kéo phích cắm điện nguồn ra trong lúc vận hành mà dây dẫn bị hỏng. Dây dẫn bị hỏng làm tăng nguy cơ bị điện giật.

Các Biểu Tượng

Các biểu tượng sau đây có khả năng diễn đạt ý nghĩa về cách sử dụng dụng cụ điện cầm tay của bạn. Xin vui lòng ghi nhận các biểu tượng và ý nghĩa của chúng. Sự hiểu đúng các biểu tượng sẽ giúp bạn sử dụng máy một cách tốt và an toàn hơn.

Biểu Tượng Ý Nghĩa



- ▶ **Để hai tay tránh xa khỏi phạm vi cắt khi máy đang hoạt động.** Có nguy cơ tổn thương khi tiếp chạm vào lưỡi cắt.



- ▶ **Hãy mang dụng cụ bảo vệ tai.** Để tai trần tiếp xúc với tiếng ồn có thể làm mất thính giác.



- ▶ **Hãy mang kính bảo hộ.**



- ▶ **Hãy mang mặt nạ chống bụi.**



- ▶ **Hãy mang găng tay bảo hộ.**

Mô Tả Sản Phẩm và Đặc Tính Kỹ Thuật



Đọc kỹ mọi cảnh báo an toàn và mọi hướng dẫn. Không tuân thủ mọi cảnh báo và hướng dẫn được liệt kê dưới đây có thể bị điện giật, gây cháy và/hay bị thương tật nghiêm trọng.

Dành sử dụng cho

Máy được thiết kế để lắp đặt sử dụng cố định với đĩa cắt, để gia công cắt gỗ theo chiều dọc và chéo góc bằng các đường cắt thẳng và các góc vát xiên lên đến 45 ° vào vật liệu kim loại mà không cần sử dụng nước.

Biểu trưng của sản phẩm

Sự đánh số các biểu trưng của sản phẩm là để tham khảo hình minh họa của máy trên trang hình ảnh.

- 1 Nút khoá giữ chế độ tự-chạy của công tắc Tắt/Mở
- 2 Công tắc Tắt/Mở
- 3 Tay Nắm
- 4 Chấn đàn hồi bảo vệ lưỡi
- 5 Khóa trục
- 6 Đĩa cắt
- 7 Cờ chặn góc
- 8 Trục kẹp vặn
- 9 Chốt nhả nhanh
- 10 Tai hồng trục kẹp vặn
- 11 Lỗ lắp bắt
- 12 Chia vặn sáu cạnh (8 mm)
- 13 Chân đế khuôn bao
- 14 Vít khóa cờ chỉnh đặt góc
- 15 Khóa an toàn dùng khi di chuyển
- 16 Tay máy
- 17 Tay nắm dùng khi di chuyển
- 18 Chấn bảo vệ lưỡi cắt
- 19 Chấn che tia lửa
- 20 Trục máy
- 21 Bích kẹp
- 22 Vòng đệm
- 23 Đai ốc đầu sáu cạnh

Phụ tùng được trình bày hay mô tả không phải là một phần của tiêu chuẩn hàng hóa được giao kèm theo sản phẩm. Bạn có thể tham khảo tổng thể các loại phụ tùng, phụ kiện trong chương trình phụ tùng của chúng tôi.

Thông số kỹ thuật

Máy cắt đĩa	GCO 14-24	
Mã số máy	3 601 M37 1..	
Công suất vào danh định	W	2400
Tốc độ không tải	v/p	3800
Trọng lượng theo Quy trình EPTA-Procedure 01/2003 (chuẩn EPTA 01/2003)	kg	17
Cấp độ bảo vệ		□/II

Kích thước của vật gia công chấp nhận được (tối đa/tối thiểu) xem trang 49.

Các giá trị đã cho có hiệu lực cho điện thế danh định [U] 230 V. Đối với điện thế thấp hơn và các loại máy dành riêng cho một số quốc gia, các giá trị này có thể thay đổi.

Kích thước thích hợp cho đĩa cắt

Đường kính đĩa cắt, tối đa	mm	355
Chiều rộng đĩa cắt, tối đa	mm	3
Lỗ lắp lưỡi cắt	mm	25,4

Sự lắp vào

- ▶ **Phòng ngừa máy khởi động bất ngờ. Trong khi lắp ráp hay có việc làm gì trên máy, phích cắm điện phải được rút ra khỏi nguồn cấp điện.**

Các món được giao

Lấy tất cả các bộ phận được giao kèm theo máy ra khỏi bao bì một cách cẩn thận.

Lấy tất cả các gói tài liệu hướng dẫn và các phụ kiện giao kèm ra khỏi máy.

Trước khi cho máy hoạt động lần đầu tiên, hãy kiểm tra các bộ phận được liệt kê dưới đây xem có được giao đầy đủ:

- Máy cắt đĩa có gắn đĩa cắt
- Khóa đầu lục giác **12**

Ghi Chú: Kiểm tra sự có thể bị hư hỏng của dụng cụ điện.

Trước khi tiến hành sử dụng máy, kiểm tra xem tất cả các chi tiết dùng bảo vệ có hoạt động tốt. Tất cả các hư hỏng nhẹ phải được kiểm tra cẩn thận để bảo đảm sự hoạt động của dụng cụ được hoàn hảo. Tất cả các bộ phận phải được lắp ráp đúng cách và tất cả các điều kiện cần có phải được đáp ứng đúng và đủ để bảo đảm sự hoạt động được hoàn hảo.

Các chi tiết bảo vệ và các bộ phận hư hỏng phải được thay ngay thông qua một trung tâm bảo hành-bảo trì được ủy nhiệm.

Lắp bắt cố định hay linh hoạt

- ▶ **Để bảo đảm sự điều khiển được an toàn, máy phải được lắp bắt lên trên một bề mặt phẳng và vững chắc (vd. bàn thợ) trước khi sử dụng.**

Lắp Đặt vào Bề Mặt Gia Công (xem hình A)

- Bắt chắc dụng cụ điện bằng loại vít lắp bắt thích hợp lên trên bề mặt gia công. Các lỗ khoan **11** dùng cho mục đích này.

Lắp Linh Hoạt (không khuyến khích!)

Trong trường hợp ngoại lệ, khi không thể gắn chắc dụng cụ điện vào bằng bàn kẹp, bạn có thể tạm thời đặt chân trụ của chân đế khuôn bao **13** lên trên một bề mặt thích hợp (vd. bàn thợ, mặt nền bằng phẳng v.v.) mà không cần bắt chặt bằng bu lông.

Thay Dụng Cụ (xem hình B1–B2)

- ▶ **Trước khi tiến hành bất cứ việc gì trên máy, kéo phích cắm điện nguồn ra.**
- ▶ **Chỉ ứng dụng khóa trục 5 khi trục máy 20 đã ngừng quay. Nếu không, có thể làm hư hỏng máy.**
- ▶ **Không được chạm vào lưỡi cắt ngay sau khi xong việc, hãy để cho lưỡi cắt nguội lại trước đã. Lưỡi cắt trở nên rất nóng trong thời gian hoạt động.**

48 | Tiếng Việt

Chỉ sử dụng đĩa cắt loại có tốc độ bằng hay cao hơn mức độ cho phép so với tốc độ không tải của dụng cụ điện của bạn.

Chỉ sử dụng đĩa cắt đáp ứng được với số liệu đặc tính kỹ thuật đã cung cấp trong phần hướng dẫn sử dụng và đã được kiểm tra đúng với tiêu chuẩn EN 12413 và được đóng nhãn thích hợp.

Xếp các đĩa cắt không sử dụng tới vào trong một vật đựng có nắp đậy hay trong bao bì chứa nó trước kia. Cất giữ đĩa cắt bằng cách đặt nằm.

Tháo Đĩa Cắt Ra

- Đặt máy ở vào tư thế hoạt động. (xem “Tháo Khóa Máy (Vị Trí Hoạt Động)”, trang 48)
- Lật chắn đàn hồi bảo vệ lưỡi **4** lên hết trên.
- Vận vít đầu lục giác **23** bằng khóa đầu lục giác **12** và đồng thời ấn khóa hãm trục **5**, cho đến khi khớp vào.
- Giữ nguyên nhấn nút khóa trục và vặn đai ốc đầu sáu cạnh **22** ra.
- Lấy vòng đệm **22** và bích kẹp **21** ra.
- Lấy đĩa cắt **6** ra.

Lắp Đĩa Cắt

Nếu thấy cần, làm sạch tất cả các bộ phận sắp lắp vào trước khi ráp.

- Lắp đĩa cắt mới lên trên trục máy **20** cách sao cho bề mặt nhãn hiệu hướng ngược lại với tay máy.
- Gắn bích kẹp **21**, vòng đệm **22** và vít đầu lục giác **23** vào.
- Ấn khóa hãm trục **5** cho đến khi vào khớp và hãy vặn chặt vít đầu sáu cạnh **23** theo chiều kim đồng hồ. (Lực siết vào khoảng 18–20 Nm)
- Thả từ từ chắn đàn hồi bảo vệ lưỡi **4** xuống cho đến khi che kín hết đĩa cắt.
- Bảo đảm chắn đàn hồi bảo vệ lưỡi **4** hoạt động đúng cách.

Sau khi lắp đĩa cắt vào, và trước khi mở máy, kiểm tra lại xem đĩa cắt có lắp vào đúng cách, và có thể quay tự do được hay không.

- Bảo đảm rằng đĩa cắt không bị cọ sượt vào chắn đàn hồi bảo vệ lưỡi **4**, chắn bảo vệ lưỡi cắt **18** hay chạm vào các bộ phận khác.
- Cho máy hoạt động khoảng 30 giây. Giả sử như máy có hiện tượng rung đáng kể xảy ra, tắt máy ngay lập tức; tháo đĩa cắt ra và lắp đĩa cắt vào lại lần nữa.

Vận Hành

- ▶ **Trước khi tiến hành bất cứ việc gì trên máy, kéo phích cắm điện nguồn ra.**

Khóa An Toàn Dừng Khi Di Chuyển (xem hình C)

Khóa an toàn dừng khi di chuyển **15** tạo khả năng xoay trở dụng cụ điện dễ dàng hơn khi di chuyển máy đến các địa điểm làm việc khác nhau.

Tháo Khóa Máy (Vị Trí Hoạt Động)

- Dùng tay nắm gấp tay máy **3** xuống một chút để giải phóng lực đè lên trên khóa an toàn dừng khi di chuyển **15**.
- Kéo khóa an toàn dừng khi di chuyển **15** hoàn toàn rời ra ngoài.
- Gập tay máy từ từ lên phía trên.

Ghi Chú: Khi thao tác, hãy lưu ý đến khóa an toàn dừng khi di chuyển không bị nhấn vào trong. Nếu không, không thể hạ tay máy xuống thấp để có cơ dày yêu cầu.

Bảo Vệ An Toàn Máy (Vị Trí Di Chuyển)

- Hạ thấp tay máy xuống cho đến khi khóa an toàn dừng khi di chuyển **15** có thể nhấn hết vào bên trong.

Để biết thêm thông tin về việc vận chuyển, xin xem trang 50.

Điều Chỉnh Góc Cắt (xem hình D)

Có thể chỉnh đặt góc vuông trong phạm vi từ 0° đến 45°.

Có thể nhận ra thước đo góc vuông dùng thường xuyên trên chặn định góc **7** với các vạch chia thích hợp. 0° và 45° vị trí được đặt tương ứng ở cỡ chặn cuối.

- Nới lỏng các đinh ốc hãm **14** của cỡ chặn góc bằng khóa đầu lục giác đi kèm **12** (8 mm).
- Điều chỉnh góc muốn có và siết chặt cả hai vít khóa **14** lại như trước.

Chuyển Vị Trí Cỡ Định Góc (xem hình D và E)

Khi cắt một vật gia công có chiều rộng hơn 140 mm, cỡ định góc **7** có thể chuyển vị trí về phía sau.

- Vận các đinh ốc hãm ra **14** bằng khóa đầu lục giác đi kèm **12** (8 mm).
- Di chuyển cỡ định góc **7** về phía sau chừng một hay hai lỗ đến khoảng hở muốn có.
- Điều chỉnh góc muốn có và siết chặt cả hai vít khóa **14** lại như trước.

Kẹp Cố Định Vật Gia Công (xem hình E)

Để đảm bảo an toàn lao động tốt nhất, vật gia công phải luôn luôn được kẹp chặt.

Không được cắt vật gia công không kẹp được vì quá nhỏ.

Vật gia công dài phải được đệm lót hay kê đỡ phần đầu còn trống.

- Đặt vật gia công tựa vào chắn định góc **7**.

- Vặn trực kẹp vặn **8** áp sát vào vật gia công và kẹp chặt vật gia công lại bằng tai hồng của trực kẹp vặn **10**.

Giải Phóng Vật Gia Công

- Nới lỏng tai hồng trực kẹp vặn **10** ra.
- Lật đứng chốt nhả nhanh **9** và kéo trực kẹp vặn **8** ra khỏi vật gia công.

Bắt Đầu Vận Hành

► **Tuân thủ theo đúng điện thế! Điện thế nguồn phải đúng với điện thế đã ghi rõ trên nhãn máy.**

► **Kiểm tra đĩa cắt trước khi sử dụng. Đĩa cắt phải được lắp vào đúng cách và phải quay được tự do. Tiến hành chạy thử 30 giây (tối thiểu) ở chế độ không tải. Không được sử dụng đĩa cắt đã bị hư hỏng, lệch tâm hay rung lắc. Đĩa cắt đã bị hư có thể bị vỡ tung và gây thương tích.**

Bụi từ các vật liệu như có chứa lớp phủ chì, khoáng chất (sỏi đá) hay kim loại có thể nguy hại cho sức khỏe con người. Tiếp xúc hay hít vào có thể gây cho người vận hành máy hay đứng gần bị dị ứng và/hay dẫn đến việc nhiễm độc đường hô hấp.

Một số loại bụi cụ thể được xem là nguy hiểm, đặc biệt có liên quan đến các hợp kim như kẽm, nhôm hoặc crom. Có thể chỉ nên để cho thợ chuyên môn gia công các loại vật liệu có chứa amiăng.

- Tạo không khí thông thoáng nơi làm việc.
- Khuyến nghị nên mang mặt nạ phòng độc có bộ lọc cấp P2.

Tuân thủ các quy định của quốc gia bạn liên quan đến loại vật liệu gia công.

Lưỡi cắt có thể bị cản trở do bụi, mảnh cắt hay các mảnh vụn của vật gia công nằm trong khe của chân đế khuôn bao **13**.

- Tắt máy và kéo phích cắm điện nguồn ra khỏi ổ cắm.
- Đợi cho đến khi đĩa cắt ngừng quay hoàn toàn.
- Kéo nghiêng máy ra sau để cho các mảnh nhỏ của vật gia công có thể rơi ra ngoài khoảng trống được thiết kế cho mục đích này.

Nếu cần thiết, hãy sử dụng một dụng cụ thích hợp để gỡ bỏ tất cả các mảnh vụn của vật gia công ra.

► **Tránh không để rác tích tụ tại nơi làm việc.** Rác có thể dễ dàng bắt lửa.

Tư Thế của Người Thao Tác (xem hình F)

► **Không được đứng thẳng hàng với đĩa cắt ở đằng trước máy. Luôn luôn đứng qua một bên đĩa cắt.** Biện pháp này nhằm bảo vệ tốt hơn cho thân thể bạn, ngăn tránh khả năng có các mảnh vụn văng ra trong trường hợp đĩa cắt bị vỡ.

Chuyển mạch Tắt và Mở (xem hình G)

Để tiết kiệm năng lượng, chỉ cho dụng cụ điện hoạt động khi sử dụng.

- Để **bắt đầu vận hành**, nhấn công tắc chuyển mạch Tắt/Mở **2** và giữ nhấn.
- Để khóa, **nhấn** công tắc Tắt/Mở **2**, nhấn nút khóa tự-chạy **1** vào.
- Để **tắt máy**, thả công tắc chuyển mạch Tắt/Mở **2** ra.

Khi công tắc chuyển mạch Tắt/Mở đã được khóa tự chạy, nhấn hết công tắc chuyển mạch Tắt/Mở vào cho đến khi khóa tự chạy nhả ra và sau đó thả công tắc chuyển mạch Tắt/Mở ra.

Hướng Dẫn Sử Dụng

Hướng Dẫn Tổng Quát Trong Gia Công Cắt

► **Không được chạm vào lưỡi cắt ngay sau khi xong việc, hãy để cho lưỡi cắt nguội lại trước đã.** Lưỡi cắt trở nên rất nóng trong thời gian hoạt động.

► **Bảo đảm cho chắn che tia lửa 19 được lắp vào đúng cách.** Tia lửa bắn ra xảy ra khi cắt kim loại.

Bảo vệ đĩa cắt không bị đập mạnh, va đập hay dính dầu mỡ. Không để cho đĩa cắt phải chịu lực áp lên hông.


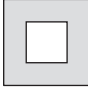
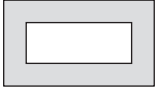

Không được bắt dụng cụ điện làm việc quá sức đến mức dừng hoạt động.

Nạp tải quá đáng làm giảm thấy rõ hiệu năng của máy và làm giảm tuổi thọ của đĩa cắt.

Chỉ sử dụng đĩa cắt thích hợp cho loại vật liệu được gia công.

Kích Thước Vật gia Công Cho Phép

Kích cỡ vật gia công **Tối đa**:

Hình Dạng Vật Gia Công	Góc Vuông	
	0°	45°
	129 Ø	128 Ø
	119 x 119	110 x 110
	100 x 196	107 x 115
	130 x 130	115 x 115

50 | Tiếng Việt**Kích cỡ vật gia công Tối thiểu**

(= tất cả các vật gia công có thể kẹp chặt được nhờ trục kẹp vận 8):

Chiều dài 80 mm

Công suất cắt, tối đa (0 °/0 °): 129 mm

Cắt Kim Loại

- Chính đặt góc vuông muốn có.
- Kẹp vật gia công thật chặt phù hợp với kích thước của nó.
- Bật công tắc cho máy hoạt động.
- Cầm nơi tay nắm 3 để kéo tay máy xuống từ từ.
- Cắt vật gia công bằng lực gia tải đồng đều.
- Tắt máy và đợi cho đến khi đĩa cắt đã hoàn toàn dừng quay hẳn.
- Nhấc tay máy lên từ từ.

Vận Chuyển

- Luôn luôn xách dụng cụ điện bằng tay nắm dành cho việc vận chuyển 17.
- ▶ **Nên luôn luôn dùng hai người để di chuyển dụng cụ điện, để tránh bị tổn thương lưng.**
- ▶ **Khí vận chuyển dụng cụ điện, chỉ sử dụng các thiết bị dùng vận chuyển và không bao giờ sử dụng thiết bị bảo vệ để mang hay xách.**

Bảo Dưỡng và Bảo Quản**Bảo Dưỡng Và Làm Sạch**

- ▶ **Trước khi tiến hành bất cứ việc gì trên máy, kéo phích cắm điện nguồn ra.**
- ▶ **Làm sạch các kẽ thông gió của dụng cụ điện thường xuyên bằng một cọ mềm.** Động cơ quạt gió kéo bụi vào trong vỏ máy, sự tích tụ một lượng lớn bụi kim loại có thể gây ra nguy hiểm về điện.
- ▶ **Trong điều kiện giới hạn tuyệt đối, luôn luôn sử dụng máy hút bụi trong khả năng có thể. Thổi sạch các khe thông gió thường xuyên và lắp đặt thiết bị ngắt mạch tự động (PRCD).** Khi gia công kim loại, các loại hạt bụi dẫn điện có thể lọt vào trong dụng cụ điện. Toàn bộ sự cách điện của dụng cụ điện có thể bị mất tác dụng.
- ▶ **Chỉ giao việc sửa chữa, bảo trì máy cho các thợ chuyên môn có năng lực.** Bằng cách này, ta có thể đảm bảo sự an toàn của dụng cụ điện vẫn được giữ nguyên.

Nếu như cần phải thay dây dẫn điện thì công việc này phải do hãng Bosch, hay một đại lý được Bosch ủy nhiệm thực hiện để tránh gặp sự nguy hiểm do mất an toàn.

Chấn bảo vệ lưới đàn hồi phải luôn luôn có thể chuyển động tự do, co thắt tự động. Vì vậy, luôn luôn giữ cho phạm vi chung quanh chấn bảo vệ lưới đàn hồi được sạch.

Phụ kiện**Mã số máy****Các đĩa cắt cho vật liệu kim loại**

Đĩa cắt 355 x 25,4 mm	2 608 600 208
Đĩa cắt 355 x 25,4 mm	2 608 600 223

Dịch Vụ Sau Khi Bán và Dịch Vụ Ứng Dụng

Bộ phận phục vụ hàng sau khi bán của chúng tôi sẽ trả lời các câu hỏi liên quan đến việc bảo trì và sửa chữa các sản phẩm cũng như các phụ tùng thay thế của bạn. Hình ảnh chi tiết và thông tin phụ tùng thay thế có thể tìm hiểu theo địa chỉ dưới đây:

www.bosch-pt.com

Bộ phận dịch vụ ứng dụng Bosch sẽ hân hạnh trả lời các câu hỏi liên quan đến các sản phẩm của chúng tôi và linh kiện của chúng.

Trong tất cả các phản hồi và đơn đặt phụ tùng, xin vui lòng luôn luôn nhập số hàng hóa 10 chữ số theo nhãn của hàng hóa.

Việt Nam

Công ty Trách Nhiệm Hữu Hạn Robert Bosch Việt Nam, PT/SVN
Tầng 10, 194 Golden Building
473 Điện Biên Phủ
Phường 25, Quận Bình Thạnh
Thành Phố Hồ Chí Minh
Việt Nam
Tel.: (08) 6258 3690 Ext 413
Fax: (08) 6258 3692
hieu.lagia@vn.bosch.com
www.bosch-pt.com

Thải bỏ

Máy, linh kiện và bao bì phải được phân loại để tái chế theo hướng thân thiện với môi trường.

Không được thải bỏ dụng cụ điện vào chung với rác sinh hoạt!

Được quyền thay đổi nội dung mà không phải thông báo trước.