

**Robert Bosch Power Tools GmbH**  
70538 Stuttgart  
GERMANY

[www.bosch-professional.com](http://www.bosch-professional.com)

1 609 92A 3EU (2019.05) 0 / 73



1 609 92A 3EU

# GHP

5-55 | 5-65 | 5-65X | 5-75 | 5-75X | 500X

 **BOSCH**

- en Original instructions
- cn 正本使用说明书
- tw 原始使用說明書
- ko 사용 설명서 원본
- th หนังสือคู่มือการใช้งานฉบับต้นแบบ
- id Petunjuk-Petunjuk untuk Penggunaan Orisinal
- vi Bản gốc hướng dẫn sử dụng

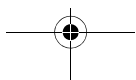
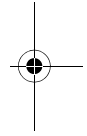
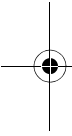




2 |



English ..... Page 3  
 中文 . . . . . 页 13  
 中文 . . . . . 頁 20  
 한국어 . . . . . 페이지 27  
 ภาษาไทย . . . . . หน้า 35  
 Bahasa Indonesia . . . . . Halaman 43  
 Tiếng Việt . . . . . Trang 52



## English

### Safety Notes

#### Symbols on the machine



**Read all safety warnings and all instructions.** Failure to follow the warnings and instructions may result in electric shock, fire and/or serious injury.



General hazard safety alert.



Never direct the water jet at people, animals, the unit or electric components.

Warning: High pressure jets can be dangerous if subject to misuse.



**According to the applicable regulations, the appliance must never be used on the drinking water network without a system separator. Use a separator as per IEC 61770 Type BA.**

**Water flowing through a system separator is considered not drinkable.**

**For self priming use special suction kit 3 m long (F 016 800 335).**

#### User qualification and personal protection

- ▶ This machine can be used by people with reduced physical, sensory or mental capabilities or lack of experience and knowledge if they have been given supervision or instruction concerning use of the machine in a safe way and understand the hazards involved.

- ▶ The unit must not be operated by children or juveniles. Children should be supervised to ensure that they do not play with the unit.

- ▶ The unit may only be used by authorised persons who have received training or have demonstrated their ability to operate the unit.



Wear personal protective equipment (PPE) e. g. safety goggles, dust mask etc. to protect against water, particles and/or aerosols sprayed back from parts. Do not inhale aerosols if self-priming from external sources. Such water can contain disease-causing agents.

- ▶ Do not use the appliance within the range of persons unless they also wear protective clothing.

#### Connecting to the mains

- ▶ The voltage indicated on the rating plate must correspond to the voltage of the power source.
- ▶ The operating voltage is 230 V AC, (for non-European countries 220 V or 240 V, as applicable).
- ▶ This is a class I unit and may only be connected to properly earthed power sources.
- ▶ The electric supply installation shall be made by a qualified electrician and comply with IEC 60364-1.
- ▶ We recommend that this equipment is only connected into a socket which is protected by a circuit-breaker that would be actuated by a 30 mA residual current.

## 4 | English

**Requirements for extension cords and plugs**

- ▶ **Warning:** Inadequate extension cords can be dangerous. The extension cord must have an earth wire. Extension cord, plug and socket must be of waterproof construction, protected against splashed water and intended for outdoor use. If in doubt, contact a qualified electrician or the nearest Bosch Service Centre.
- ▶ The following wire dimensions are recommended: Up to 20 m length, 2.5 mm<sup>2</sup> wire diameter, up to 50 m length 4.0 mm<sup>2</sup> wire diameter.
- ▶ If your plug is not suitable for your socket outlets, it should be cut off and an appropriate plug fitted in its place by an authorized customer service agent. In case of electric plug with internal fuse, the replacement plug should have the same fuse ratings as the original plug. The severed plug must be disposed of to avoid a possible shock hazard and should never be inserted into a mains socket elsewhere.
- ▶ Products sold in GB only: Your product is fitted with an BS 1363/A approved electric plug with internal fuse (ASTA approved to BS 1362).
- ▶ Remove the plug from socket whenever the machine is left unattended for any period.
- ▶ Do not touch the plug or socket with wet hands.
- ▶ Do not pull plug while operating the device.

- ▶ The connection between supply cord and extension cord must be kept dry and off the ground 60 cm above.
- ▶ Do not use the unit, if the power supply cord or important parts, e. g. high-pressure hose, power gun or safety devices are damaged.
- ▶ Do not run over, crush or pull the power supply cord or extension cord, otherwise it may be damaged. Protect the cable from heat, oil and sharp edges.

**Water connection**

- ▶ Observe the regulations of your water supply company.
- ▶ The appliance should never be used on the drinking water supply without a back flow valve. Water which has passed the back flow valve is regarded as undrinkable.

**High-pressure hose**

- ▶ High-pressure hoses, fittings and couplings are important for the safety of the appliance. Use only hoses, fittings and couplings recommended by the manufacturer.
- ▶ A damaged high-pressure hose can burst and must be replaced immediately. Never pull the hose over sharp edges. Don't pull if the hose is entangled.

**Use of detergents**

- ▶ Only use detergents recommended by the manufacturer. Comply with the application, disposal and warning instructions of the detergent manufacturers.

- ▶ We recommend that the detergents are not used undiluted. The products are safe to use as they contain no acids, alkalis or substances which are detrimental to the environment. We recommend that the detergents are kept out of the reach of children. If detergent comes into contact with the eyes, wash immediately with plenty of water and if swallowed contact a doctor immediately.
- ▶ Do not use solvent-containing liquids, undiluted acids, acetone or solvents! This includes petrol, paint thinners, heating oil. The sprayed vapour is highly flammable, explosive and toxic.

### Observe before use

- ▶ The operator must use the unit in accordance with the regulations. He/she must take local conditions into account and be aware of other people, especially children, when operating the unit.
- ▶ Before use, check that the unit and operating equipment are in perfect condition and are safe to operate. Do not use the unit if it is not in perfect condition.
- ▶ The unit must be positioned on its supports vertical or horizontal on solid ground.
- ▶ All current-conducting components in the working area must be protected against splashed water.



The water jet from the high-pressure nozzle produces a significant recoil at the gun. Therefore hold the gun and spray lance firmly with both hands.



Do not direct the water jet at the machine itself.



Do not direct the jet against yourself or others in order to clean clothes or footwear.

- ▶ The gun trigger must not be temporarily or permanently fixed in the open position during operation.
- ▶ Metal parts may become hot after prolonged usage, if necessary wear protective gloves.
- ▶ High pressure washing during storm, excessive rain etc. must be avoided, especially when there is a risk of lightning.
- ▶ The appropriate safety regulations must be observed when using the unit in dangerous areas (e. g. petrol stations). It is forbidden to operate the unit in potentially explosive locations.
- ▶ Materials containing substances which are hazardous to your health (e.g. asbestos) must not be sprayed.



Vehicle tyres/tyre valves may only be cleaned from a minimum distance of 30 cm in order to avoid damages by the high-pressure jet. The first indication of damage is the discolouration of the tyre. Damaged vehicle tyres/tyre valves are dangerous to life.

### Observe before maintenance







- ▶ Switch off the unit and pull out the mains plug prior to all maintenance and care.
- ▶ Repairs may only be carried out by authorised Bosch Service Centres.

## 6 | English

- Accessories and spare parts which have been approved by Bosch must be used. Original accessories and spare parts guarantee that the unit can be operated safely and without any breakdowns.

### Symbols in manual

The following symbols are important for reading and understanding the operating instructions. Please take note of the symbols and their meaning. The correct interpretation of the symbols will help you to use the machine in a better and safer manner.

Symbol	Meaning
	Movement direction
	Reaction direction
	Weight
	On
	Off
Lo	Low pressure
Hi	High pressure
	Accessories

### Intended Use

This product is intended for professional use of cleaning areas around houses and objects, cleaning of tools, vehicles and boats, if the appropriate accessories such as cleaning agents approved by Bosch for this product are used.

Intended use is related to operation within 0°C and 50°C ambient temperature.

### Product Features

The numbering of the product features refers to the illustrations on the graphics pages.

- 1 Trigger
- 2 Trigger safety lock
- 3 Power gun
- 4 Lance screw connector coupling
- 5 Stainless steel spray lance
- 6 Nozzle
- 7 Pressure hose fitting (power gun)
- 8 Handle
- 9 Additional storage space (GHP 5-55/GHP 5-65/GHP 5-75)
- 10 Top lance holder
- 11 Main switch
- 12 Bottom lance holder
- 13 Connection for high pressure hose (GHP 5-55/GHP 5-65/GHP 5-75)
- 14 Water inlet connection
- 15 Auxiliary lifting handle
- 16 Transport wheels
- 17 Foot pedal
- 18 Detergent gauge
- 19 Detergent hose
- 20 Rubber foot
- 21 Storage
- 22 Rear lifting handle
- 23 Cable holder
- 24 Hose reel handle (GHP 500 X/GHP 5-65 X/GHP 5-75 X)
- 25 Hose reel (GHP 500 X/GHP 5-65 X/GHP 5-75 X)
- 26 Pressure adjustment knob (GHP 5-75/GHP 5-75 X)
- 27 Pressure gauge (GHP 5-75 X)
- 28 High pressure hose (GHP 5-55/GHP 5-65/GHP 5-75)

**Accessories shown or described are not part of the standard delivery scope of the product. A complete overview of accessories can be found in our accessories program.**

### Technical Data

Pressure washer		GHP 5-55	GHP 500X	GHP 5-65	GHP 5-65X	GHP 5-75	GHP 5-75X	
Article number		3 600 ...	J10 4..	J10 9..	J10 5..	J10 6..	J10 7..	J10 8..
Rated power	kW	2.2	2.2	2.4	2.4	2.6	2.6	
Supply temperature max.	°C	50	50	50	50	50	50	
Rated flow rate	l/h	500	500	485	485	560	560	
Rated pressure	MPa	11.5	11.5	13.0	13.0	14.0	14.0	

Starting cycles generate brief voltage drops. Interference with other equipment/machines may occur in case of unfavourable mains system conditions. Malfunctions are not to be expected for system impedances below 0.32 ohm.

Pressure washer		GHP 5-55	GHP 500X	GHP 5-65	GHP 5-65X	GHP 5-75	GHP 5-75X
Max. operating pressure	MPa	13.0	13.0	16.0	16.0	18.5	18.5
Rated Flow	l/h	520	520	520	520	570	570
Maximum inlet pressure	MPa	1	1	1	1	1	1
Kickback force at the gun to the maximum pressure	N	19.71	19.71	20.46	20.46	24.37	24.37
Motor insulation		Class F	Class F	Class F	Class F	Class F	Class F
Motor protection		IPX5	IPX5	IPX5	IPX5	IPX5	IPX5
Autostop function		●	●	●	●	●	●
Pressure gauge		-	-	-	-	-	●
Pressure adjusting knob		-	-	-	-	●	●
Hose reel		-	●	-	●	-	●
Net impedance	Ω	-	-	0.32	0.32	0.32	0.32
Sound pressure level	dB(A)	78	78	78	78	77	77
Uncertainty	dB(A)	= 2.5	= 2.5	= 2.5	= 2.5	= 2.3	= 2.3
Sound power level	dB(A)	92	92	92	92	91	91
Uncertainty	dB(A)	= 2.5	= 2.5	= 2.5	= 2.5	= 2.3	= 2.3
Vibration total value	m/s <sup>2</sup>	= 1,841	= 1,841	= 1,841	= 1,841	= 1,841	= 1,841
Uncertainty	m/s <sup>2</sup>	= 1.5	= 1.5	= 1.5	= 1.5	= 1.5	= 1.5
Sound power level	dB(A)	95	95	95	95	94	94
Weight according to EPTA-Procedure 01:2014	kg	22.0	24.8	23.5	25.0	26.7	28.2
Protection class		⊕ / I	⊕ / I	⊕ / I	⊕ / I	⊕ / I	⊕ / I

Serial number See serial number (rating plate) on pressure washer.

Starting cycles generate brief voltage drops. Interference with other equipment/machines may occur in case of unfavourable mains system conditions. Malfunctions are not to be expected for system impedances below 0.32 ohm.

## Connecting to the water supply (see figure F)

**Note:** Rated output pressure can only be achieved, if the flow rate at the water input is sufficient. The flow rate is sufficient if a 10 litre bucket can be filled in less than 1 minute.

**CAUTION:** Permanent operation with lack of water at the water input can damage the pump.

**NOTE:** For a sufficient water supply use a short hose with a diameter not thinner than 1/2" (13 mm). Hoses longer than 10 m should have a diameter of 3/4" (19 mm). Open the water tap completely. All connections must be tight. Clean the water filters periodically (see chapter Maintenance).

- It is recommended to use always an external water filter (accessory). Check water filter for tight assembly.
- If necessary, screw on an hose adapter (not supplied with the machine).
- Connect a suitable water hose, best with 1/2" (13 mm) or 3/4" (19 mm) diameter.
- Open the water tap completely and check all connections for tightness.

## Connecting to the mains (see figure G)

**NOTE:** Rated output pressure is only available, if the machine is connected to a stable mains voltage. Using a long connection cable with a thin wire cross section, an uncoiled cable drum, operating other machines concurrently at the same circuit or voltage fluctuations outside accessible tolerances impede motor starting or result in low output pressure.

## Bleeding high-pressure washer and hoses (see figure G)

**NOTE:** Bleed the unit each time the water hose is connected to the water tap according the following procedure:

Leave the main switch at OFF (0) position.

Disconnect the lance from the gun.

- As soon the trigger of the gun is operated, air and water exits noisily. Hold the trigger until water exits steadily from the gun. Release the trigger.
- Reconnect the lance.
- Switch on the machine for operation.
- Press the safety release and operate the trigger of the gun.

## 8 | English

## Use with alternative water sources (see figure I)

This high-pressure washer will self prime and can draw water from water tanks and natural water sources. It's **IMPORTANT** that the water is clean and both BOSCH inlet filter and external filter are clear and fitted to the machine (see chapter Maintenance).

## Open tanks/containers and natural water sources (see figure I)

Use the Self Priming accessory kit comprising:

- Inlet strainer with non return valve
- 3 m reinforced supply hose
- Universal coupling to the pressure washer

This enables the pressure washer to draw water up to 0.5 m above the water level in the source in approximately 25 – 50 seconds.



Fully immerse the 3 m hose into the water to displace the air in the hose. Connect the 3 m hose to the power washer and make sure that the inlet strainer remains under water.

Run the pressure washer with the lance disconnected until a steady flow of water appears from the high pressure hose. Stop if this has not been achieved within 25 – 50 seconds and check all the connections. Switch off and connect the lance and nozzle to operate.

It is important that hose and couplings are of good quality and are tightly connected, and that the seals are undamaged and properly inserted. Loose connections can impede the priming (drawing in).

## Water Tanks with outlet connections (see figure I)

When connecting the pressure washer to a water tank with a suitable tap outlet, first connect the supply hose (not provided) to the tank outlet, open the tap to allow the water to displace all the air in the hose and then connect to the pressure washer.

## Use of detergents (see figure J)

- ▶ **Only use detergents recommended by the manufacturer. Comply with the application, disposal and warning instructions of the detergent manufacturers.**

Pull out the suction hose at the rear and put it into a bottle with detergent (not supplied with).

Pull the nozzle of the lance into low pressure position.

Switch on the gun. After a few seconds foam exits at the nozzle.

Adjust the knob at the rear to dose the quantity.

Turn the nozzle left/right to adjust the water jet.

## Troubleshooting

Problem	Possible Cause	Corrective Action
Motor refuses to start	Plug not connected	Connect plug
	Mains socket faulty	Use another socket
	Fuse faulty/blown	Replace fuse
	Extension cable damaged	Try without extension cable
	Motor protector has activated	Allow to cool for 15 minutes
Motor stops	Frozen	Wait for pump/water supply hose/accessory to thaw
	Fuse faulty/blown	Replace fuse
	Wrong mains voltage	Check that mains voltage corresponds to specifications on the model tag
Fuses blow	Motor protector has activated	Allow to cool for 15 minutes
	Fuses incorrectly rated	Change to a mains supply higher than the pressure washer amp consumption
Motor starts but no pressure	Nozzle partly blocked	Clean nozzle



Problem	Possible Cause	Corrective Action
Motor sounds but fails to start	Insufficient power supply	Check that the voltage of the mains power supply line is the same as that on the plate
	Voltage loss due to use of extension cable	Check characteristics of extension cable
	Appliance not used for a long period of time	Contact your Bosch Service Centre
Pressure pulsating	Problems with TSS (Total Stop System) device	Contact your Bosch Service Centre
	Air in the inlet water supply hose/pump	Allow pressure washer to run with open spray handle and nozzle at low pressure until regular working pressure is obtained
	Inadequate water supply	Check that the water supply corresponds to specifications. The minimum specification for the water supply hose is 1/2" or 13 mm diameter
	Water filter blocked	Clean water filter
	Water supply hoses squeezed	Straighten out kinked water supply hoses
	High pressure hose too long	Remove high pressure extension hose. Retry (extension hose max. 7 m)
Pressure too low, but steady Note: Several types of accessory will normally deliver a lower pressure	Nozzle worn	Change the nozzle
	Start/stop valve worn	Activate trigger five times in quick succession
Motor starts up but with restricted or no working pressure	No water supply	Connect water supply
	Water filter clogged up	Clean the water filter
	Nozzle clogged up	Clean nozzle
The pressure washer starts irregularly by itself	Pump/spray gun leaky	Contact your Bosch Service Centre
Water leaks from machine	Leaking pump	A slight water leak is permissible; in case of excessive leak, contact Bosch Service Centre
No detergent taken in	Adjustable nozzle on high pressure setting	Set nozzle on low pressure setting
	Detergent too dense	Dilute with water
	High pressure hose extension being used	Fit original hose
	Deposits or restriction in detergent circuit	Flush with clean water and eliminate any restrictions. If the problem persists, contact your Bosch Service Centre.

## Draining Machine after use (see figure L)

Disconnect the water hose from the water tap.

Disconnect the lance from the gun.

Direct the gun to the ground and switch on the machine for operation.

Operate the trigger of the gun and drain all water from the system.

**CAUTION:** Do not run the machine longer than 25 seconds.

Store the high-pressure washer in a dry place.

**CAUTION:** Scaling and frost damages are not covered under warranty. Remaining water in the machine will freeze at tem-

peratures below 0 °C and destroy the pump. Within climate zones where temperature can reach 4 °C or below, the machine must be drained after last use if being stored prior to the cold season.

## Maintenance and Service

### Maintenance

► **Stop, remove plug from the power supply and disconnect from water supply.**

**Note:** To ensure long and reliable service, carry out the following maintenance regularly.

Check for obvious defects such as loose fixings, and worn or damaged components.

**10 | English**

Check that covers and guards are undamaged and correctly fitted. Carry out necessary maintenance or repairs before using.

We recommend to service the product every 200 (GHP 5-55, GHP 5-65, GHP 5-65 X, GHP 500 X)/300 (GHP 5-75, GHP 5-75 X) hours of running time with the authorised Bosch Service Centre.

Clean the filters periodically once a week. Mention cleaning with vinegar can remove scales faster. Keep it immersed in vinegar for 30 mins. (see figures M – N)

Clean the nozzle.

Grease the O rings. (see figure O)

**After-sales Service and Application Service****www.bosch-professional.com**

In all correspondence and spare parts orders, please always include the 10-digit article number given on the type plate of the machine.

**Cambodia**

Robert Bosch (Cambodia) Co., Ltd  
Unit 8BC, GT Tower, 08th Floor, Street 169,  
Czechoslovakia Blvd, Sangkat Veal Vong  
Khan 7 Makara, Phnom Penh  
VAT TIN: 100 169 511  
Tel.: +855 23 900 685  
Tel.: +855 23 900 660  
www.bosch.com.kh

**People's Republic of China****China Mainland**

Bosch Power Tools (China) Co., Ltd.  
567, Bin Kang Road  
Bin Jiang District 310052  
Hangzhou, P. R. China  
Tel.: 4008268484  
Fax: (0571) 87774502  
E-Mail: contact.ptcn@cn.bosch.com  
www.bosch-pt.com.cn

**HK and Macau Special Administrative Regions**

Robert Bosch Co. Ltd.  
21st Floor, 625 King's Road  
North Point, Hong Kong  
Customer Service Hotline: +852 2101 0235  
Fax: +852 2590 9762  
E-Mail: info@hk.bosch.com  
www.bosch-pt.com.hk

**India**

Bosch Service Center  
69, Habibullah Road, (Next to PSBB School), T. Nagar  
Chennai – 600077  
Phone: (044) 64561816

Bosch Service Center Rishyamook  
85A, Panchkuin Road  
New Delhi – 110001  
Phone: (011) 43166190

Bosch Service Center  
79, Crystal Bldg., Dr. Annie Besant Road, Worli  
Mumbai – 400018  
Phone: (022) 39569936 / (022) 39569959 /  
(022) 39569967 / (022) 24952071

**Indonesia**

PT Robert Bosch  
Palma Tower 10<sup>th</sup> Floor  
Jalan RA Kartini II-S Kaveling 6  
Pondok Pinang, Kebayoran Lama  
Jakarta Selatan 12310  
Tel.: (21) 3005-5800  
www.bosch-pt.co.id

**Malaysia**

Robert Bosch Sdn. Bhd. (220975-V) PT/SMY  
No. 8A, Jalan 13/6  
46200 Petaling Jaya  
Selangor  
Tel.: (03) 79663194  
Toll-Free: 1800 880188  
Fax: (03) 79583838  
E-Mail: kiathoe.chong@my.bosch.com  
www.bosch-pt.com.my

**Pakistan**

Robert Bosch Middle East FZE – Pakistan Liaison Office  
2nd Floor Plaza # 10, CCA Block, DHA Phase 5  
Lahore, 54810  
Phone: +92(303)4444311  
Email: Faisal.Khan@bosch.com

**Philippines**

Robert Bosch, Inc.  
28th Floor Fort Legend Towers,  
3rd Avenue corner 31st Street,  
Fort Bonifacio, Global City,  
1634 Taguig City  
Tel.: (632) 8703871  
Fax: (632) 8703870  
www.bosch-pt.com.ph

**Singapore**

Powerwell Service Centre Ptd Ltd  
Bosch Authorised Service Centre (Power Tools)  
4012 Ang Mo Kio Ave 10, #01-02 TECHplace  
Singapore 569628  
Tel.: 6452 1770  
Fax: 6452 1760  
E-Mail: ask@powerwellsc.com  
www.powerwellsc.com  
www.bosch-pt.com.sg

**Thailand**

Robert Bosch Ltd.  
Liberty Square Building  
No. 287, 11 Floor  
Silom Road, Bangrak  
Bangkok 10500  
Tel.: 02 6393111  
Fax: 02 2384783  
Robert Bosch Ltd., P. O. Box 2054  
Bangkok 10501  
www.bosch.co.th

Bosch Service – Training Centre  
La Salle Tower Ground Floor Unit No.2  
10/11 La Salle Moo 16  
Srinakharin Road  
Bangkaew, Bang Plee  
Samutprakarn 10540  
Tel.: 02 7587555  
Fax: 02 7587525

**Vietnam**

Branch of Bosch Vietnam Co., Ltd in HCMC  
Floor 10, 194 Golden Building  
473 Dien Bien Phu Street  
Ward 25, Binh Thanh District, Ho Chi Minh City  
Tel.: (08) 6258 3690  
Fax: (08) 6258 3692  
Hotline: (08) 6250 8555  
www.bosch-pt.com.vn

**Armenia, Azerbaijan, Georgia, Kyrgyzstan, Mongolia, Tajikistan, Turkmenistan, Uzbekistan**

TOO Robert Bosch Power Tools, After Sales Service  
Rayimbek Ave., 169/1  
050050, Almaty, Kazakhstan  
Service Email: service.pt.ka@bosch.com  
Official Website: www.bosch.com, www.bosch-pt.com

**Bahrain**

Hatem Al Juffali Technical Equipment Establishment.  
Kingdom of Bahrain, Setra Highway, Al Aker Area  
Phone: +966126971777-311  
Fax: +97317704257  
Email: h.berjas@eajb.com.sa

**Egypt**

Unimar  
20 Markaz kadmat  
El tagmoa EL Aoul – New Cairo  
Phone: + 20 2224 76091-95  
Phone: + 20 2224 78072-73  
Fax: + 20 2224 78075  
Email: adelzaki@unimaregypt.com

**Iran**

Robert Bosch Iran  
3rd Floor, No 3, Maadiran Building  
Aftab St., Khodami St., Vanak Sq.  
Tehran 1994834571  
Phone: +9821- 86092057

**Iraq**

Sahba Technology Group  
Al Muthana airport road  
Baghdad  
Phone: +9647901906953  
Phone Dubai: +97143973851  
Email: bosch@sahbatechnology.com

**Jordan**

Roots Arabia – Jordan  
Nasser Bin Jameel street, Building 37 Al Rabiah  
11194 Amman  
Phone: +962 6 5545778  
Email: bosch@rootsjordan.com

**Kuwait**

Al Qurain Automotive Trading Company  
Shuwaikh Industrial Area, Block 1, Plot 16, Street 3rd  
P.O. Box 164 – Safat 13002  
Phone: 24810844  
Fax: 24810879  
E-mail: josephkr@aaalmutawa.com

**Lebanon**

Tehini Hana & Co. S.A.R.L.  
P.O. Box 90-449  
Jdeideh  
Dora-Beirut  
Phone: +9611255211  
Email: service-pt@tehini-hana.com

**Libya**

El Naser for Workshop Tools  
Swanee Road, Alfalah Area  
Tripoli  
Phone: +218 21 4811184

**Oman**

Malatan Trading & Contracting LLC  
P.O. Box 131  
Ruwi, 112 Sultanate of Oman  
Phone: +968 99886794  
Email: malatanpowertools@malatan.net

**Qatar**

International Construction Solutions W L L  
P. O. Box 51, Doha  
Phone: +974 40065458  
Fax: +974 4453 8585  
Email: csd@icsdoha.com

**Saudi Arabia**

Juffali Technical Equipment Co. (JTECO)  
Kilo 14, Madinah Road, Al Bawadi District  
Jeddah 21431  
Phone: +966 2 6672222 Ext. 1528  
Fax: +966 2 6676308  
Email: roland@eajb.com.sa

## 12 | English

**Syria**

Dallal Establishment for Power Tools  
P.O. Box 1030  
Aleppo  
Phone: +963212116083  
Email: rita.dallal@hotmail.com

**United Arab Emirates**

Central Motors & Equipment LLC, P.O. Box 1984  
Al-Wahda Street – Old Sana Building  
Sharjah  
Phone: +971 6 593 2777  
Fax: +971 6 533 2269  
Email: powertools@centralmotors.ae

**Yemen**

Abualrejal Trading Corporation  
Sana'a Zubierey St. Front to new Parliament Building  
Phone: +967-1-202010  
Fax: +967-1-279029  
Email: tech-tools@abualrejal.com

**Ethiopia**

Forever plc  
Kebele 2,754, BP 4806,  
Addis Ababa  
Phone: +251 111 560 600  
Email: foreverplc@ethionet.et

**Ghana**

C.WOERMANN LTD.  
Nsawam Road/Avenor Junction, P.O. Box 1779  
Accra  
Phone: +233 302 225 141

**Kenya**

Robert Bosch East Africa Ltd  
Mpaka Road P.O. Box 856  
00606 Nairobi

**Nigeria**

Robert Bosch Nigeria Ltd.  
52 – 54 Isaac John Street P.O. Box  
GRA Ikeja – Lagos

**Republic of South Africa****Customer service**

Hotline: (011) 6519600

**Gauteng – BSC Service Centre**

35 Roper Street, New Centre  
Johannesburg  
Tel.: (011) 4939375  
Fax: (011) 4930126  
E-Mail: bsctools@icon.co.za

**KZN – BSC Service Centre**

Unit E, Almar Centre  
143 Crompton Street  
Pinetown  
Tel.: (031) 7012120  
Fax: (031) 7012446  
E-Mail: bsc.dur@za.bosch.com

**Western Cape – BSC Service Centre**

Democracy Way, Prosperity Park  
Milnerton  
Tel.: (021) 5512577  
Fax: (021) 5513223  
E-Mail: bsc@zsd.co.za

**Bosch Headquarters**

Midrand, Gauteng  
Tel.: (011) 6519600  
Fax: (011) 6519880  
E-Mail: rbsa-hq.pts@za.bosch.com

**Tanzania**

Diesel & Autoelectric Service Ltd.  
117 Nyerere Rd., P.O. Box 70839  
Vingunguti 12109, Dar Es Salaam  
Phone: +255 222 861 793/794

**Australia, New Zealand and Pacific Islands**

Robert Bosch Australia Pty. Ltd.  
Power Tools  
Locked Bag 66  
Clayton South VIC 3169  
Customer Contact Center  
Inside Australia:  
Phone: (01300) 307044  
Fax: (01300) 307045

Inside New Zealand:  
Phone: (0800) 543353  
Fax: (0800) 428570

Outside AU and NZ:  
Phone: +61 3 95415555  
www.bosch-pt.com.au  
www.bosch-pt.co.nz

**Environmental Protection**

Chemicals dangerous to the environment must not be allowed to enter the ground, ground water or ponds, streams, etc.

For the use of cleaning agents, observe the instructions on the package and the prescribed concentration exactly.

For the cleaning of motor vehicles the local regulations should be observed: Do not allow oil sprayed off to enter into the ground water. Recycle raw materials instead of waste disposal.

**Disposal**

The pressure washer, accessories and packaging should be sorted for environmental-friendly recycling.



Do not dispose of pressure washers into household waste!

**Only for EC countries:**

According to the European directive 2012/19/EU for Waste Electrical and Electronic Equipment and its implementation into national law, electrical and electronic equipment that are no longer usable must be collected separately and disposed of in an environmentally correct manner.

Subject to change without notice.

**中文****安全规章****机器上的符号**

**阅读所有的警告提示和指示。** 如未确实遵循警告提示和指示，可能导致电击，火灾并且 / 或其他的严重伤害。



一般性警告。



不可以把喷射出的水流朝向人、动物、机器或电动零件。

注意：如果使用不当，高压水柱可能造成危险。



**根据适用的法规，如果机器不具备系统分离功能，便不可以连接到饮用水的供应系统上。根据 IEC 61770，得使用 BA 型的系统分离器。**

流过系统分离器的水，已经不再是饮用水。

如果自行抽吸的话，要使用 3 米长的抽吸套件 (F 016 800 335)。

**使用者的资格和个人的防护装备**

▶ 在生理、感官、精神上受限制，或缺乏操作经验与使用知识的人

也可以使用本机器，前提是必须有人监督他们使用，或是有人指导他们如何安全地操作本机器，并让他们了解使用本机器时可能发生的危险。

- ▶ 本机器不可以交给儿童或年轻人使用。看顾好儿童并确保儿童不会玩弄机器。
- ▶ 本机器只能由接受过处理与操作培训的人员，或是能够提出相关的机器操作证明的人使用。



穿戴个人的防护装备。例如护目镜，防尘口罩等，以避免回溅得水花，颗粒和 / 或气溶胶。不可吸入气溶胶。如果从外部的水源吸水，水中可能含有致病的物质。

- ▶ 如果有旁人在附近逗留则不可以使用高压清洁机，除非他们也穿戴了个人的防护装备。

**用电须知**

- ▶ 电源的电压必须和机器铭牌上提供的电压一致。
- ▶ 操作电压为 230 V AC (在非欧盟国家，电压可能是 220 V 或 240 V)。
- ▶ 绝缘等级 I 的机器只能连接在按照规定且正确接地的电源上。
- ▶ 电力供应必须由合格的电工遵循 IEC60364-1 来执行。
- ▶ 最好将机器插在配备了 30 mA 剩于电流保护开关的插座上。

### 有关延长线和插头的规定

- ▶ 延长线必须有接地线。插头和延长线的接头必须能够防水，防泼溅水，而且也要适合户外使用。如有疑问，请咨询合格的电工或就近联系博世的代表。
- ▶ 延长线的截面积必须符合以下的规格：最大 20 米长 2,5 毫米<sup>2</sup>，最大 50 米长 4,0 毫米<sup>2</sup>。
- ▶ 如果电源线的插头不适合电源插座，必须由经过授权的客服代表切除插头，并装上合适的插头。原始插头如果有内置的保险丝，更换的插头也必须具备与原来插头等值的保险丝。必须丢弃切下的插头以防止电击，不可以将它插在任何一个插座上。
- ▶ 只适用于在英国销售的机器：这些机器配备了符合 BS1363/A 规定的插头，该插头有内置保险丝（ASTA—根据 BS1362 的规定所批准）。
- ▶ 即使您只是暂时离开机器，也要从插座上拔出插头。
- ▶ 不要用潮湿的手触摸插头和插座。
- ▶ 操作机器时不要拉扯插头。
- ▶ 电源线和延长线之间的连接装备必须保持干燥，连接装备不能放在地上（60 厘米的离地距离）。
- ▶ 如果电线或重要的零件，例如高压软管、喷射枪或安全装备等损坏了，便不可以使用机器。

- ▶ 不可以辗过、压过电线或延长线，也不可以拉扯它们。这样会损坏电线。电线必须远离高温、油垢和锋利的边缘。

### 用水须知

- ▶ 请注意贵国供水单位的规定。
- ▶ 把机器连接在饮用水源上时，务必在机器上安装逆流阀。通过逆流阀的水则不适合饮用。

### 高压软管

- ▶ 高压软管，节流装备和连接装备都攸关机器的安全性能。只能使用机器制造厂商推荐的软管，节流装备和连接装备。
- ▶ 损坏的高压软管可能会破裂，必须立即更换。拉扯高压软管时必须避开锋利的边缘。不要强行拉扯被吞噬的高压软管。

### 使用清洁剂

- ▶ 只能使用机器制造商推荐的清洁剂。并确实遵循机器制造商提出的使用说明、废弃处理建议和警告提示。
- ▶ 我们建议，只能使用稀释过的清洁剂。这些清洁剂是安全产品，既不含酸，碱也没有会危害环境的材料。我们建议您，将清洁剂放在孩子够不着的地方。万一眼睛接触到清洁剂，立即用清水彻底冲洗眼睛，如果误食了清洁剂请即刻就医。
- ▶ 不可以吸汲含有溶解剂的液体、未稀释的酸性液体、丙酮或溶解

剂，例如汽油、颜料稀释剂或柴油等。因为它们的喷雾极度易燃，容易爆炸并且有毒。

### 正式启用前的注意事项

- ▶ 操作者务必按照规定使用机器。并且要注意操作现场的实际状况。工作时务必考虑到旁人，尤其是儿童。
- ▶ 正式操作之前，先检查机器和附件是否一切正常，是否会危害操作安全。如果发现任何故障则不可以使用机器。
- ▶ 确定高压清洁机不管在纵向面或横向面，都是摆放在平坦的地面上。
- ▶ 做好工作场所中所有会导电零件的防水措施。



从喷嘴喷射出的水柱可能使喷射枪强烈反弹。因此要用双手握牢喷射枪。



勿将水柱朝向高压清洁机。



不可以使用水流清洗自己的或别人的衣服、鞋子。

- ▶ 不论是暂时或持续性的，都不可以让喷射枪的扳机，卡牢在 "ON" 的位置。
- ▶ 长时间使用后，金属零件可能变烫。如果必要的话得戴上防护手套。
- ▶ 在风暴或大雨期间不可以使用高压清洁机，尤其是可能有闪电来袭时。

▶ 在危险的场所（例如加油站）使用本机器，务必遵守有关的安全规定。不可以有爆炸危险的场所使用本机器。

▶ 不要处理含有有害物质的表面（例如，石棉）。



为了避免高压水流造成伤害，清洁汽车轮胎和阀门时至少要保持 30 公分的距离。如果轮胎受损了，首先会出现轮胎变色的情形。受损的轮胎 / 阀门都可能造成生命危险。

### 维修前的注意事项

- ▶ 进行任何清洁和维修的工作之前先关闭机器并拔出电源线的插头。
- ▶ 维修的工作只能交给博世授权的维修工厂执行。
- ▶ 只能使用制造厂商规定的附件和备件。使用原厂的附件和原厂的备件才能够确保机器的正常功能。

### 说明书中的符号

以下的符号可以帮助您正确地使用本机器。请仔细阅读各符号及它们的代表意思。正确了解各符号所代表的意义，可以帮助您更有把握更安全地操作本机器。

符号	含义
	移动方向
	反应方向
	重量
	开启
	关闭

## 16 | 中文

符号	含义
Lo	较低的压力
Hi	较高的压力
	附件

## 按照规定使用机器

只要使用了符合规定的附件（例如博世指定的清洁剂），便可以使用本机器从事专业性的清洁工作，它可以清洁户外的空地和放在户外的物体。也能够清洗工具、车辆和船。

合适的操作环境温度位在摄氏 0 ° C 度和 50 ° C 度之间。

## 插图上的机件

机件的编号和详解图上的编号一致。

- 1 板机
- 2 板机的锁定键
- 3 喷射枪
- 4 喷射枪枪杆接头
- 5 不锈钢喷射枪枪杆
- 6 喷嘴
- 7 高压软管的接头（喷射枪）
- 8 手柄
- 9 额外储存空间  
(GHP 5-55/GHP 5-65/GHP 5-75)
- 10 喷射枪枪杆的上支架
- 11 电源开关
- 12 喷射枪枪杆的下支架
- 13 h 针对高压软管的接头  
(GHP 5-55/GHP 5-65/GHP 5-75)
- 14 供水系统
- 15 附加提柄
- 16 搬运用滚轮
- 17 脚踏板
- 18 针对清洁剂的计量螺旋
- 19 清洁剂的吸管
- 20 橡胶脚垫
- 21 储物空间
- 22 背面的把手
- 23 电线夹
- 24 软管绞盘曲柄  
(GHP 500 X/GHP 5-65 X/GHP 5-75 X)
- 25 软管绞盘  
(GHP 500 X/GHP 5-65 X/GHP 5-75 X)
- 26 压力设定装备  
(GHP 5-75/GHP 5-75 X)
- 27 压力计  
(GHP 5-75 X)
- 28 高压软管  
(GHP 5-55/GHP 5-65/GHP 5-75)

图表或说明上提到的附件，并不包含在基本的供货范围中。本公司的附件清单中有完整的附件供应项目。

## 技术数据

高压清洁机		GHP 5-55	GHP 500X	GHP 5-65	GHP 5-65X	GHP 5-75	GHP 5-75X
物品代码	3 600 ...	J10 4..	J10 9..	J10 5..	J10 6..	J10 7..	J10 8..
额定输入功率	kW	2,2	2,2	2,4	2,4	2,6	2,6
进口温度最大	° C	50	50	50	50	50	50
额定流量	l/h	500	500	485	485	560	560
额定压力	MPa	11,5	11,5	13,0	13,0	14,0	14,0
最大工作压力	MPa	13,0	13,0	16,0	16,0	18,5	18,5
流量	l/h	520	520	520	520	570	570
最大进口压力	MPa	1	1	1	1	1	1
最大压力下枪身的反冲力	零线	19,71	19,71	20,46	20,46	24,37	24,37
马达绝缘		等级 F	等级 F	等级 F	等级 F	等级 F	等级 F
马达的防护种类		IPX5	IPX5	IPX5	IPX5	IPX5	IPX5
自动关机功能		●	●	●	●	●	●
压力计		-	-	-	-	-	●
压力设定		-	-	-	-	●	●
软管绞盘		-	●	-	●	-	●

开动电动工具时，电压会突然下降。如果电源网络状况不佳，可能会干扰其它机器。在电源阻抗小于 0.32 欧姆时不会产生干扰。



高压清洁机		GHP 5-55	GHP 500X	GHP 5-65	GHP 5-65X	GHP 5-75	GHP 5-75X
电力网电阻	$\Omega$	-	-	0,32	0,32	0,32	0,32
声压水平	分贝	78	78	78	78	77	77
不确定系数	分贝	=2,5	=2,5	=2,5	=2,5	=2,3	=2,3
声功率水平	分贝	92	92	92	92	91	91
不确定系数	分贝	=2,5	=2,5	=2,5	=2,5	=2,3	=2,3
振动总值	米 / 秒 <sup>2</sup>	=1,841	=1,841	=1,841	=1,841	=1,841	=1,841
不确定系数	米 / 秒 <sup>2</sup>	=1,5	=1,5	=1,5	=1,5	=1,5	=1,5
声功率水平	分贝	95	95	95	95	94	94
重量符合 EPTA-Procedure 01:2014	公斤	22,0	24,8	23,5	25,0	26,7	28,2
绝缘等级		⊕ / I	⊕ / I	⊕ / I	⊕ / I	⊕ / I	⊕ / I
序列号码		参考序列号码 (型号铭牌) 在高压清洁机上					

开动电动工具时, 电压会突然下降。如果电源网络状况不佳, 可能会干扰其它机器。在电源阻抗小于 0,32 欧姆时不会产生干扰。

## 连接水源 (参考插图 F)

**指示:** 要达到额定压力, 在水流进口必须有充足的水量。如果水流能在一分钟填满一个 10 公升的水桶, 则代表水供应量是足够的。

**警告:** 连续操作时如果缺水, 可能会损坏泵。

**指示:** 为了确保充足的供水, 要尽可能选用短的软管, 软管的直径不可以少于 13 毫米 (1/2")。如果软管的长度超过 10 公尺, 它的直径则必须为 19 毫米 (3/4")。完全拧开水龙头。确保所有的接头都已经紧密结合。定期清洗滤网 (请参阅维修)。

- 请务必使用外置的滤网 (供货范围)。确保滤网的密封性。
- 如有必要, 得安装软管转接器 (不包含在供货范围中)。
- 连接合适的软管, 尽可能使用直径 13 毫米 (1/2") 或 19 毫米 (3/4") 的软管。
- 完全打开水龙头, 检查所有的接头是否有渗漏的情况。

## 用电须知 (参考插图 G)

**指示:** 只有当高压清洁机被连接到稳定的电源上之后, 机器才能达到额定功率。以下各因数可能阻碍电机的起动, 或减弱高压的效率: 延长线过长而它的截面积却过小, 没有卷好的电缆卷筒, 在一个电源上连接多个同时运作的机器设备或是超出容许极限的电压波动。

## 替高压清洁机和软管排气 (参考插图 G)

**指示:** 每次将高压清洁机连接在水源上之后, 必须根据以下的步骤为它排气:

将电源开关拧转到 AUS (0) 的位置。

拆下喷射枪上的枪杆。

- 一旦扣动了扳机, 便可以听见空气和水从喷射枪流出的声音。按住扳机, 直到水顺畅流出为止。松开扳机。
- 安装枪杆。
- 使用电源开关开动高压清洁机。
- 启动锁定键, 接着扣下喷射枪上的扳机。

## 使用替代水源 (参考插图 I)

高压清洁机可以从水箱或天然水源吸水。吸水时最重要的是, 只能抽取洁净的水, 既要安装内部也要安装外部的滤网并确认滤网的清洁 (参见维修章节)。

## 开放式水箱 / 容器和天然水域 (参考插图 I)

使用自吸配件, 它是由以下部件组成:

- 吸汲滤网有逆止阀
- 3 米增强软管
- 高压清洁机的通用联结器

有了这些配件, 高压清洁机可以将水吸到离水面 0.5 米处。这个过程可能需要约 25 至 50 秒。



将 3 米软管完全浸在水中, 以便排除空气。把 3 米长的软管连接到高压清洁机上, 并确保吸汲滤网仍然位在水中。

取出喷射枪并让高压清洁机运行, 直到从高压清洁机中流出的水流顺畅为止。如果过了 25 - 50 秒后仍然没有水流出, 则关闭机器并检查所有的接头。如果水顺利流出, 先关闭高压清洁机, 并在正式操作之前装上喷射枪和枪杆。

## 18 | 中文

软管和联结器的品质非常重要，另外软管和联结器务必要紧密结合，密封件不可以有破损，而且要将软管垂直的插入联结器中。如果连接不紧密会影响吸力。

## 配备出水龙头的水箱 (参考插图 I)

如果将高压清洗机连接在有出水龙头的水箱上，必须先要将软管（不包含在供货范围中）装在龙头上，并打开龙头以便排出软管中的空气，然后再把软管连接到高压清洗机上。

## 使用清洁剂（参考插图 J）

只能使用机器制造商推荐的清洁剂。并确实遵循机器制造商提出的使用说明、废弃处理建议和警告提示。

拉出位在机器后面的吸管并将它放入装了清洁剂的瓶子里（不包含在供货范围中）。

向外拉出喷嘴 (= 较低的压力)。

扣动扳机。在很短的时间内喷嘴会冒出泡沫。

在高压清洗机背面的清洁剂计量螺旋上设定好清洁剂的量。

转动喷嘴以便调整水柱。

## 寻找故障的原因

症状	可能的原因	补救方法
马达无法启动	未插上插头	插好插头
	插头故障了	使用完好的插头
	保修丝断了	更换保险丝
	延长线故障了	拿掉延长线再试一次
	马达防护功能被启动了	让马达冷却约 15 分钟
马达停止转动	结冰了	让泵、水管或配件解冻
	保修丝断了	更换保险丝
	电压不符	检查电压，电压必须和机器铭牌上的规定一致
保险丝断了	马达防护功能被启动了	让马达冷却约 15 分钟
	保险丝太弱	把机器连接在别的电源系统，该系统的保险丝必须能够承担 高压清洗机的功率
马达继续运转，但是没有压力	喷嘴有一部分被堵塞了	清洁喷嘴
马达发出声音但是不运作	电压不足	检查电源的电压是否和机器铭牌上的规定一致
	因为使用延长线导致电压太低	检查所使用的延长线是否是合适的
	长期未使用机器	请向授权的博世客户服务处求助
	自动停止功能出现问题	请向授权的博世客户服务处求助
压力不均匀	水管中或泵中有空气	打开喷射枪和水龙头，将喷嘴调整到低压位置并让高压清洗机不断运转至恢复到均匀的工作压力为止
	水源供应不正常	检查水管的规格是否符合技术数据上的要求。允许使用的最小水管是 1/2 英寸或直径 13 毫米的水管
	滤网堵塞了	清洁滤网
	水管被压住或弯折了	摆好水管
	高压软管太长	拆下高压软管 - 延长件，最大的水管长度是 7 米
压力均匀但是太弱	喷嘴磨损了	更换喷嘴
指示：特定的配件会造成低压	起 / 停阀磨损了	连续 5 次快速地按下板机
马达在运转，但是压力受限，或是无操作压力	未连接水源	连接好水源
	滤网阻塞了	清洁滤网
	喷嘴阻塞了	清洁喷嘴
高压清洗机自动启动	泵或喷射枪不紧密	请向授权的博世客户服务处求助

症状	可能的原因	补救方法
机器漏水	泵不紧密	微量漏水是可容许的，如果漏水量加大得接洽顾客服务中心
无法吸清洁剂	把喷嘴调整在高压	把喷嘴调整在低压（拉出）。
	清洁剂太粘稠	用水稀释
	高压软管被加长了	连接原厂软管
	清洁剂的循环管道中有残留物或管道变窄了	使用干净的水冲洗以便打通管道。如果问题仍然无法解决，得向博世的客服中心寻求建议

## 使用完毕后要倒空高压清洗机 (参考插图 L)

从水龙头卸下软管。

拆下喷射枪上的枪杆。

将喷射枪朝下并开动高压清洗机。

扣动扳机并清空整个系统。

**警告：** 不要让高压清洗机，在缺水的情况下运行超过 25 秒。

高压清洗机要存放在干燥的地方。

**警告：** 霜害不包含在保修的范围内。当温度低于 0 °C 时，高压清洗机内残余的水会结冻并损坏泵。在温度低于 4 °C 的地区，必须在寒冷的季节到来前，在最后一次使用空高压清洗机之后，排空机器。

## 维修和服务

### 维修

▶ **在机器上进行任何维护、修理的工作之前必须先拔出插头和连接水管。**

**指示：** 定期执行以下的维修工作，以延长机器的使用寿命并确保操作安全。

检查机器是否有明显的缺陷，例如松脱的接头和已经磨损或损坏的部件。

检查盖子和防护罩是否完好，安装方式是否正确。必要时得在使用机器前执行维护或修理的工作。

我们建议您，每经过 200 (GHP 5-55, GHP 5-65, GHP 5-65 X, GHP 500 X) 至 300 (GHP 5-75, GHP 5-75 X) 个工作小时，便要将本产品送到博世授权的服务中心进行维修。

定期每周清洗一次滤网。使用醋可以更快地去除沉淀的石灰。此时要把滤网浸泡在醋中，浸泡时间约 30 分钟。(参考插图 M - N)

清洁喷嘴。

在 O 形圈上涂润脂脂。(参考插图 O)

## 顾客服务处和顾客咨询中心

[www.bosch-professional.com](http://www.bosch-professional.com)

查询和购买备件时，务必提供机器铭牌上标示的 10 位数字物品代码。

有关保证，维修或更换零件事宜，请向合格的经销商查询。

### 中国大陆

博世电动工具（中国）有限公司

中国 浙江省 杭州市

滨江区滨康路 567 号

邮政编码：310052

免费服务热线：4008268484

传真：(0571) 87774502

电邮：[contact.ptcn@cn.bosch.com](mailto:contact.ptcn@cn.bosch.com)

[www.bosch-pt.com.cn](http://www.bosch-pt.com.cn)

罗伯特·博世有限公司

香港北角英皇道 625 号 21 楼

客户服务热线：+852 2101 0235

传真：+852 2590 9762

电邮：[info@hk.bosch.com](mailto:info@hk.bosch.com)

网站：[www.bosch-pt.com.hk](http://www.bosch-pt.com.hk)

### 制造商地址：

Robert Bosch Power Tools GmbH

罗伯特·博世电动工具有限公司

70538 Stuttgart / GERMANY

70538 斯图加特 / 德国

## 环保须知

不可以让有害生态环境的化学物品残留在地面、地下水、池塘和河流中。

使用清洁剂时，务必详阅包装上的使用说明，以及注意规定的使用浓度。

清洗车辆时，必须兼顾贵国的有关法规：避免让冲刷下来的油垢流入地下水中。

## 20 | 中文

**处理废弃物**

必须以符合环保要求的方式回收再利用高压清洗机、配件和包装材料。



不可以将高压清洗机丢入一般的家庭垃圾中！

**只针对欧盟国家：**

根据针对废旧电器和电子设备的欧洲法规 2012/19/EU 以及被纳入国家法律来执行的相关规定；必须分开收集损坏的电气和电子产品，并以符合环保要求的方式回收再利用。

保留修改权。

**中文****安全規章****機器上的符號**

**閱讀所有的警告提示和指示。** 如未確實遵循警告提示和指示，可能導致電擊、火災並且 / 或其他的嚴重傷害。



一般性警告。



不可以把噴射出的水流朝向人、動物、機器或電動零件。

注意：如果使用不當，高壓水柱可能造成危險。



**根據適用的法規，如果機器不具備系統分離功能，便不可以連接到飲用水的供應系統上。根據 IEC 61770，得使用 BA 型的系統分離器。**

**流過系統分離器的水，已經不再是飲用水。**

**如果自行抽吸的話，要使用 3 米長的抽吸套件 (F 016 800 335)。**

**使用者的資格和個人的防護裝備**

▶ 在生理、感官、精神上受限制，或缺乏操作經驗與使用知識的人也可以使用本機器，前提是必須有人監督他們使用，或是有人指導他們如何安全地操作本機器，並讓他們了解使用本機器時可能發生的危險。

▶ 本機器不可以交給兒童或年輕人使用。看顧好兒童並確保兒童不會玩弄機器。

▶ 本機器只能由接受過處理與操作培訓的人員，或是能夠提出相關的機器操作證明的人使用。



穿戴個人的防護裝備。例如防護目鏡，防塵口罩等，以避開回濺得水花，顆粒和 / 或氣溶膠。不可吸入氣溶膠。如果從外部的水源吸水，水中可能含有致病的物質。

▶ 如果有旁人在附近逗留則不可以使用高壓清潔機，除非他們也穿戴了個人的防護裝備。

**用電須知**

▶ 電源的電壓必須和機器銘牌上提供的電壓一致。

▶ 操作電壓為 230 V AC（在非歐盟國家，電壓可能是 220 V 或 240 V）。

▶ 絕緣等級 I 的機器只能連接在按照規定且正確接地的電源上。

- ▶ 電力供應必須由合格的電工遵循 IEC60364-1 來執行。
- ▶ 最好將機器插在配備了 30 mA 剩餘電流保護開關的插座上。

### 有关延长线和插头的规定

- ▶ 延長線必須有接地線。插頭和延長線的接頭必須能夠防水，防潑濺水，而且也要適合戶外使用。如有疑問，請詢問合格的電工或就近聯系博世的服務代表。
- ▶ 延長線的截面積必須符合以下的規格：最大 20 米長 2,5 毫米<sup>2</sup>，最大 50 米長 4,0 毫米<sup>2</sup>。
- ▶ 如果電源線的插頭不適合電源插座，必須由經過授權的客服代表切除插頭，並裝上合適的插頭。原始插頭如果有內置的保險絲，更換的插頭也必須具備與原來插頭等值的保險絲。必須丟棄切下的插頭以防止電擊，不可以將它插在任何一個插座上。
- ▶ 只適用於在英國銷售的機器：這些機器配備了符合 BS1363/A 規定的插頭，該插頭有內置保險絲 (ASTA- 根據 BS1362 的規定所批准)。
- ▶ 即使您只是暫時離開機器，也要從插座上拔出插頭。
- ▶ 不要用潮濕的手觸摸插頭和插座。
- ▶ 操作機器時不要拉扯插頭。
- ▶ 電源線和延長線之間的連接裝備必須保持干燥，連接裝備不能放在地上（60 釐米的離地距離）。

- ▶ 如果電線或重要的零件，例如高壓軟管、噴射槍或安全裝備等損壞了，便不可以使用機器。
- ▶ 不可以輾過、壓過電線或延長線，也不可以拉扯它們。這樣會損壞電線。電線必須遠離高溫、油垢和鋒利的邊緣。

### 用水須知

- ▶ 請注意貴國供水單位的規定。
- ▶ 把機器連接在飲用水源上時，務必在機器上安裝逆流閥。通過逆流閥的水則不適合飲用。

### 高壓軟管

- ▶ 高壓軟管，節流裝備和連接裝備都攸關機器的安全性能。只能使用機器製造廠商推薦的軟管，節流裝備和連接裝備。
- ▶ 損壞的高壓軟管可能會破裂，必須立即更換。拉扯高壓軟管時務必避開鋒利的邊緣。不要強行拉扯被吞噬的高壓軟管。

### 使用清潔劑

- ▶ 只能使用機器製造商推薦的清潔劑。並確實遵循機器製造商提出的使用說明、廢棄處理建議和警告提示。
- ▶ 我們建議，只能使用稀釋過的清潔劑。這些清潔劑是安全產品，既不含酸，也並沒有會危害環境的材料。我們建議您，將清潔劑放在孩子夠不著的地方。萬一眼睛接觸到清潔劑，立即用清水衝

## 22 | 中文

底衝洗眼睛，如果誤食了清潔劑請即刻就醫。

- ▶ 不可以吸汲含有溶解劑的液體、未稀釋的酸性液體、丙酮或溶解劑，例如汽油、顏料稀釋劑或柴油等。因為它們的噴霧極度易燃，容易爆炸並且有毒。

### 正式启用前的注意事項

- ▶ 操作者務必按照規定使用機器。並且要注意操作現場的實際狀況。工作時務必顧慮到旁人，尤其是兒童。
- ▶ 正式操作之前，先檢查機器和附件是否一切正常，是否會危害操作安全。如果發現任何故障則不可以使用機器。
- ▶ 確定高壓清潔機不管在縱向面或橫向面，都是擺放在平坦的地面上。
- ▶ 做好工作場所中所有會導電零件的防水措施。



從噴嘴噴射出的水柱可能使噴射槍強烈反彈。因此要用雙手握牢噴射槍。



勿將水柱朝向高壓清潔機。



不可以使用水流清洗自己的或別人的衣服、鞋子。

- ▶ 不論是暫時或持續性的，都不可以讓噴射槍的扳機，卡牢在 "ON" 的位置。
- ▶ 長時間使用後，金屬零件可能變燙。如果必要的話得戴上防護手套。

- ▶ 在風暴或大雨期間不可以使用高壓清潔機，尤其是可能有閃電來襲時。
- ▶ 在危險的場所（例如加油站）使用本機器，務必遵守有關的安全規定。不可以有爆炸危險的場所使用本機器。
- ▶ 不要處理含有有害物質的表面（例如，石棉）。



為了避免高壓水流造成傷害，清潔汽車輪胎和閥門時至少要保持 30 公分的距離。如果輪胎受損了，首先會出現輪胎變色的情形。受損的輪胎 / 閥門都可能造成生命危險。

### 維修前的注意事項

- ▶ 進行任何清潔和維修的工作之前先關閉機器並拔出電源線的插頭。
- ▶ 維修的工作只能交給博世授權的維修工廠執行。
- ▶ 只能使用製造廠商規定的附件和備件。使用原廠的附件和原廠的備件才能夠確保機器的正常功能。

### 說明書中的符號

以下的符號可以幫助您正確地使用本機器。請詳細閱讀各符號及它們的代表意思。正確了解各符號所代表的意義，可以幫助您更有把握更安全地操作本機器。

符號	含義
	移動方向
	反應方向
	重量

符號	含義
	開啟
	關閉
Lo	較低的壓力
Hi	較高的壓力
	附件

## 按照規定使用機器

只要使用了符合規定的附件（例如博世指定的清潔劑），便可以使用本機器從事專業性的清潔工作，它可以清潔戶外的空地和放在戶外的物體。也能夠清洗工具、車輛和船。

合適的操作環境溫度位在攝氏 0 °C 度和 50 °C 度之間。

## 插圖上的機件

機件的編號和詳解圖上的編號一致。

- 1 扳機
- 2 扳機的鎖定鍵
- 3 噴射槍
- 4 噴射槍槍杆接頭
- 5 不鏽鋼噴射槍槍杆
- 6 噴嘴
- 7 高壓軟管的接頭（噴射槍）
- 8 手柄

- 9 額外儲存空間  
(GHP 5-55/GHP 5-65/GHP 5-75)
- 10 噴射槍槍杆的上支架
- 11 電源開關
- 12 噴射槍槍杆的下支架
- 13 針對高壓軟管的接頭  
(GHP 5-55/GHP 5-65/GHP 5-75)
- 14 供水系統
- 15 附加提柄
- 16 搬運用滾輪
- 17 腳踏板
- 18 針對清潔劑的計量螺旋
- 19 清潔劑的吸管
- 20 橡膠腳墊
- 21 儲物空間
- 22 背面的把手
- 23 電線夾
- 24 軟管絞盤曲柄  
(GHP 500 X/GHP 5-65 X/GHP 5-75 X)
- 25 軟管絞盤  
(GHP 500 X/GHP 5-65 X/GHP 5-75 X)
- 26 壓力設定裝備  
(GHP 5-75/GHP 5-75 X)
- 27 壓力計  
(GHP 5-75 X)
- 28 高壓軟管  
(GHP 5-55/GHP 5-65/GHP 5-75)

圖表或說明上提到的附件，並不包含在基本的供貨範圍中。本公司的附件清單中有完整的附件供應項目。

## 技術性數據

高壓清潔機		GHP 5-55	GHP 500X	GHP 5-65	GHP 5-65X	GHP 5-75	GHP 5-75X
物品代碼	3 600 ...	J10 4..	J10 9..	J10 5..	J10 6..	J10 7..	J10 8..
額定輸入功率	kW	2,2	2,2	2,4	2,4	2,6	2,6
進口溫度最大	°C	50	50	50	50	50	50
額定流量	l/h	500	500	485	485	560	560
額定壓力	MPa	11,5	11,5	13,0	13,0	14,0	14,0
最大工作壓力	MPa	13,0	13,0	16,0	16,0	18,5	18,5
流量	l/h	520	520	520	520	570	570
最大進口壓力	MPa	1	1	1	1	1	1
最大壓力下槍身的反衝力	零線	19,71	19,71	20,46	20,46	24,37	24,37
馬達絕緣	等級 F	等級 F	等級 F	等級 F	等級 F	等級 F	等級 F
馬達的防護種類	IPX5	IPX5	IPX5	IPX5	IPX5	IPX5	IPX5
自動關機功能		●	●	●	●	●	●
壓力計		-	-	-	-	-	●

開動電動工具時，電壓會突然下降。如果電源網絡狀況不佳，可能會干擾其它機器。在電源阻抗小於 0,32 歐姆時不會產生干擾。

## 24 | 中文

高壓清潔機		GHP 5-55	GHP 500X	GHP 5-65	GHP 5-65X	GHP 5-75	GHP 5-75X
壓力設定		-	-	-	-	●	●
軟管絞盤		-	●	-	●	-	●
電力網電阻	Ω	-	-	0,32	0,32	0,32	0,32
聲壓水平	分貝	78	78	78	78	77	77
不確定系數	分貝	=2,5	=2,5	=2,5	=2,5	=2,3	=2,3
聲功率水平	分貝	92	92	92	92	91	91
不確定系數	分貝	=2,5	=2,5	=2,5	=2,5	=2,3	=2,3
振動總值	m/s <sup>2</sup>	=1,841	=1,841	=1,841	=1,841	=1,841	=1,841
不確定系數	m/s <sup>2</sup>	=1,5	=1,5	=1,5	=1,5	=1,5	=1,5
聲功率水平	分貝	95	95	95	95	94	94
重量符合 EPTA-Procedure 01:2014	公斤	22,0	24,8	23,5	25,0	26,7	28,2
絕緣等級		⊕ / I	⊕ / I	⊕ / I	⊕ / I	⊕ / I	⊕ / I
序列號碼		參考序列號碼 (型號銘牌) 在高壓清潔機上					

開動電動工具時，電壓會突然下降。如果電源網絡狀況不佳，可能會干擾其它機器。在電源阻抗小於 0,32 歐姆時不會產生干擾。

## 連接水源 (參考插圖 F)

**指示：** 要達到額定壓力，在水流進口必須有充足的水量。如果水流能在一分鐘內填滿一個 10 公升的水桶，則代表水供應量是足夠的。

**警告：** 連續操作時如果缺水，可能會損壞泵。

**指示：** 為了確保充足的供水，要盡可能選用短的軟管，軟管的直徑不可以少於 13 毫米 (1/2")。如果軟管的長度超過 10 公尺，它的直徑則必須為 19 毫米 (3/4")。完全擰開水龍頭。確保所有的接頭都已經緊密結合。定期清洗濾網 (請參閱維修)。

- 請務必使用外置的濾網 (供貨範圍)。確保濾網的密封性。
- 如有必要，得安裝軟管轉接器 (不包含在供貨範圍中)。
- 連接合適的軟管，盡可能使用直徑 13 毫米 (1/2") 或 19 毫米 (3/4") 的軟管。
- 完全打開水龍頭，檢查所有的接頭是否有滲漏的情況。

## 用電須知 (參考插圖 G)

**指示：** 只有當高壓清潔機被連接到穩定的電源上之後，機器才能達到額定的功率。以下各因數可能阻礙電機的起動，或減弱高壓的效率：延長線過長而它的截面積卻過小，沒有卷好的電纜卷筒，在一個電源上連接多個同時運作的機器設備或是超出容許極限的電壓波動。

## 替高壓清潔機和軟管排氣 (參考插圖 G)

**指示：** 每次將高壓清潔機連接在水源上之後，必須根據以下的步驟為它排氣：

將電源開關擰轉到 AUS (0) 的位置。

拆下噴射槍上的槍杆。

- 一旦扣動了扳機，便可以聽見空氣和水從噴射槍流出的聲音。按住扳機，直到水順暢流出為止。鬆開扳機。
- 安裝槍杆。
- 使用電源開關開動高壓清潔機。
- 啟動鎖定鍵，接著扣下噴射槍上的扳機。

## 使用替代水源 (參考插圖 I)

高壓清潔機可以從水箱或天然水源吸水。吸水時最重要的是，只能抽吸潔淨的水，既要安裝內部也要安裝外部的濾網並確認濾網的清潔 (參見維修章節)。

## 開放式水箱 / 容器和天然水域 (參考插圖 I)

使用自吸配件，它是由以下部件組成：

- 吸口濾網有逆止閥
- 3 米增強軟管
- 高壓清潔機的通用聯結器

有了這些配件，高壓清潔機可以將水吸到離水面 0.5 米處。這個過程可能需要約 25 - 50 秒。





將 3 米軟管完全浸在水中，以便排除空氣。把 3 米長的軟管連接到高壓清潔機上，並確保吸汲濾網仍然位在水中。

取出噴射槍並讓高壓清潔機運行，直到從高壓清潔機中流出的水流順暢為止。如果過了 25 - 50 秒後仍然沒有水流出，則要關閉機器並檢查所有的接頭。如果水順利流出，先關閉高壓清潔機，並在正式操作之前裝上噴射槍和槍杆。

軟管和聯結器的品質非常重要，另外軟管和聯結器務必要緊密結合，密封件不可以有毀損，而且要將軟管垂直的插入聯結器中。如果連接不緊密會影響吸力。

## 配備排水龍頭的水箱 (參考插圖 I)

如果將高壓清潔機連接在有出水龍頭的水箱上，必須先將軟管（不包含在供貨範圍中）裝在龍頭上，並打開龍頭以便排出軟管中的空氣，然後再把軟管連接到高壓清潔機上。

## 使用清潔劑 (參考插圖 J)

只能使用機器製造商推薦的清潔劑。並確實遵循機器製造商提出的使用說明、廢棄處理建議和警告提示。

拉出位在機器後面的吸管並將它放入裝了清潔劑的瓶子裡（不包含在供貨範圍中）。

向外拉出噴嘴 (= 較低的壓力)。

扣動扳機。在很短的時間內噴嘴會冒出泡沫。

在高壓清潔機背面的清潔劑計量螺旋上設定好清潔劑的量。

轉動噴嘴以便調整水柱。

## 尋找故障的原因

症狀	可能的原因	補救方法
馬達無法起動	未插上插頭	插好插頭
	插座故障了	使用其它的插座
	保修絲斷了	更換保險絲
	延長線故障了	拿掉延長線再試一次
	馬達防護功能被啟動了	讓馬達冷卻約 15 分鐘
	結冰了	讓泵、水管或配件解凍
馬達停止轉動	保修絲斷了	更換保險絲
	電壓不符	檢查電壓，電壓必須和機器銘牌上的規定一致
	馬達防護功能被啟動了	讓馬達冷卻約 15 分鐘
保險絲斷了	保險絲太弱	把機器連接在別的電源系統，該系統的保險絲必須能夠承擔 高壓清潔機的功率
馬達繼續運轉，但是沒有壓力	噴嘴有一部分被堵塞了	清潔噴嘴
馬達發出聲音但是不運作	電壓不足	檢查電源的電壓是否和機器銘牌上的規定一致
	因為使用延長線導致電壓太低	檢查所使用的延長線是否是合適的
	長期未使用機器	請向授權的博世顧客服務處求助
	自動停止功能出現問題	請向授權的博世顧客服務處求助

## 26 | 中文

症狀	可能的原因	補救方法
壓力不均勻	水管中或泵中有空氣	打開噴射槍和水龍頭，將噴嘴調整到低壓位置並讓高壓清潔機不斷運轉至恢復到均勻的工作壓力為止
	水源供應不正常	檢查水管的規格是否符合技術數據上的要求。允許使用的最小水管是 1/2 英寸或直徑 13 毫米的水管
	濾網堵塞了	清潔濾網
	水管被壓住或彎折了	擺好水管
	高壓軟管太長	拆下高壓軟管 – 延長件，最大的水管長度是 7 米
壓力均勻但是太弱 指示：特定的配件會造成低壓	噴嘴磨損了	更換噴嘴
	起 / 停閥磨損了	連續 5 次快速地按下板機
馬達在運轉，但是壓力受限，或是無操作壓力	未連接水源	連接好水源
	濾網阻塞了	清潔濾網
	噴嘴阻塞了	清潔噴嘴
高壓清潔機自動起動	泵或噴射槍不緊密	請向授權的博世顧客服務處求助
機器漏水	泵不緊密	微量漏水是可容許的，如果漏水量加大得接洽顧客服務中心
無法吸清潔劑	把噴嘴調整在高壓	把噴嘴調整在低壓（拉出）。
	清潔劑太粘稠	用水稀釋
	高壓軟管被加長了	連接原廠軟管
	清潔劑的循環管道中有殘留物或管道變窄了	使用乾淨的水沖洗以便打通管道。如果問題仍然無法解決，得向博世的顧客服務中心尋求建議

## 使用完畢後要倒空高壓清潔機 (參考插圖 L)

從水龍頭卸下軟管。

拆下噴射槍上的槍杆。

將噴射槍朝下並開動高壓清潔機。

扣動扳機並清空整個系統。

**警告：**不要讓高壓清潔機，在缺水的情況下運行超過 25 秒。

高壓清潔機要存放在乾燥的地方。

**警告：**霜害不包含在保修的範圍內。當溫度低於 0 °C 時，高壓清潔機內殘余的水會結凍並損壞泵。在溫度低於 4 °C 的地區，必須在寒冷的季節到來前，在最後一次使用空高壓清潔機之後，排空機器。

## 維修和服務

### 維修

- ▶ 在機器上進行任何維護、修理的工作之前必須先拔出插頭和連接水管。

**指示：**定期執行以下的維修工作，以延長機器的使用壽命和確保操作安全。

檢查機器是否有明顯的缺陷，例如鬆脫的接頭和已經磨損或損壞的部件。

檢查蓋子和防護罩是否完好，安裝方式是否正確。必要時得在使用機器前執行維護或修理的工作。

我們建議您，每經過 200 (GHP 5-55, GHP 5-65, GHP 5-65 X, GHP 500 X) 至 300 (GHP 5-75, GHP 5-75 X) 個工作小時，便要將本產品送到博世授權的服務中心進行維修。

定期每周清洗一次濾網。使用醋可以更快速地去去除沉澱的石灰。此時要把濾網浸泡在醋中，浸泡時間約 30 分鐘。(參考插圖 M - N)

清潔噴嘴。

在 O 形圈上塗潤滑脂。(參考插圖 O)

### 顧客服務處和顧客諮詢中心

[www.bosch-professional.com](http://www.bosch-professional.com)

查詢和購買備件時，務必提供機器銘牌上標示的 10 位數物品代碼。

**台灣**

台灣羅伯特博世股份有限公司  
 建國北路一段 90 號 6 樓  
 台北市 10491  
 電話：(02) 2515 5388  
 傳真：(02) 2516 1176  
 www.bosch-pt.com.tw

**製造商地址：**


Robert Bosch Power Tools GmbH  
 羅伯特·博世電動工具有限公司  
 70538 Stuttgart / GERMANY  
 70538 斯圖加特 / 德國

**環保須知**

不可以讓有害生態環境的化學物品殘留在地面、地下水、池塘和河流中。  
 使用清潔劑時，務必詳閱包裝上的使用說明，以及注意規定的使用濃度。  
 清洗車輛時，必須兼顧貴國的有關法規：避免讓沖刷下來的油垢流入地下水中。

**處理廢棄物**

必須以符合環保要求的方式回收再利用高壓清潔機、配件和包裝材料。

 不可以將高壓清潔機丟入一般的家庭垃圾中！

**只針對歐盟國家：**


根據針對廢舊電器和電子設備的歐洲法規 2012/19/EU 以及被納入國家法律來執行的相關規定；必須分開收集壞損的電氣和電子用品，並以符合環保要求的方式回收再利用。

**保留修改權。**

**한국어**

**안전 수칙**

**기기에 나온 기호 설명**

 **모든 안전수칙과 지시 사항을 상세히 읽고 지켜야 합니다.** 다음의 안전수칙과 지시 사항을 준수하지 않으면 화재 위험이 있으며 감전 혹은 중상을 입을 수 있습니다.



일반적인 위험 경고.



사람이나 동물 혹은 기기 본체 및 전기 부품에 물을 분사하지 마십시오.

주의: 고압 분사를 잘못 사용하면 위험할 수 있습니다.



**해당 규정에 따르면 시스템 분리기가 없는 기기를 식수 망에 연결해서는 안됩니다. IEC 61770 Typ BA 에 따라 시스템 분리기를 사용하십시오.**

시스템 분리기를 통과한 물을 식수로 사용해서는 안됩니다.

스스로 물을 흡입하는 자흡 기능의 경우 3 m 길이의 흡입 세트 (F 016 800 335) 가 필요합니다.

**작업자의 자격 및 개인 보호구**

- ▶ 본 기기는 감독 하에 혹은 기기 안전 취급에 대한 지시를 받고 이와 연관된 위험을 이해하는 경우 신체적, 감각 기능 혹은 정신적 기능에 장애가 있거나 경험과 지식이 없는 사람이 사용해도 됩니다.
- ▶ 어린이나 청소년이 이 기기를 작동해서는 안됩니다. 어린이들을 잘 감독하고 이 기기를 갖고 놀지 않도록 하십시오.
- ▶ 기기의 사용법과 취급에 대한 지시를 받은 경우나 기기 조작 능력을 증명할 수 있는 사람에 한해서 본 기기를 사용할 수 있습니다.

28 | 한국어



사물에 반사되는 물이나 분자 혹은 에어로졸로부터 보호하기 위해 보안경이나 분진 마스크 등 적합한 개인 보호구 (PPE) 를 착용하십시오. 외부 급수전에서 물을 흡입할 경우 물에 발암성 물질이 들어 있을 수 있으므로 에어로졸을 들이 마시지 마십시오.

- ▶ 개인 보호구를 착용한 경우를 제외하고는, 주위에 사람이 있을 경우 고압 세척기를 사용하지 마십시오.

**전원에 연결하기**

- ▶ 전원의 전압이 기기 명판에 표기된 전압과 일치해야 합니다.
- ▶ 작동 전압은 230V AC (유럽외 국가의 경우 220V 혹은 240V) 입니다.
- ▶ 안전 등급 I이므로 반드시 규정에 맞게 접지된 전원에 연결해야 합니다.
- ▶ 전원 공급은 자격있는 전기 기사가 IEC 60364-1 에 맞게 실시해야 합니다.
- ▶ 기기를 30 mA 누전 차단기가 있는 전원 콘센트에만 연결하는 것이 좋습니다.

**연장 케이블과 플러그에 대한 요구 조건**

- ▶ 연장 케이블은 접지선이 있어야 합니다. 연장 케이블을 사용할 경우 플러그와 연결장치는 방수제품이어야 하며, 분사하는 물에 안전하고 실외용이어야 합니다. 의문이 생기면 전문 기사 혹은 가까운

보쉬 서비스 대리점에 문의하십시오.

- ▶ 다음의 케이블 직경이 필요합니다: 최대 20m 길이까지 2.5mm<sup>2</sup>, 최대 50m 길이까지 4.0mm<sup>2</sup>.
- ▶ 전원 케이블의 플러그가 사용하는 전원 콘센트에 맞지 않으면 이를 보쉬 지정 서비스 대리점에서 절단하여 적합한 플러그로 교환해 주어야 합니다. 정품 플러그에 조립된 퓨즈가 있으면 대체 플러그에도 정품과 동일한 퓨즈가 있어야 합니다. 감전을 방지하기 위해 절단된 플러그를 폐기해야 하며, 이를 콘센트의 다른 곳에 끼워서 는 안됩니다.
- ▶ 영국에서 판매되는 기기의 경우에만 해당 사항: 기기에는 BS1363/A 에 따라 퓨즈가 조립된 전원 플러그가 있습니다 (BS1362 부응한 ASTA 검사).
- ▶ 잠시라도 기기를 두고 자리를 비울 경우 전원 콘센트에서 플러그를 빼십시오.
- ▶ 젖은 손으로 플러그나 콘센트를 만지지 마십시오.
- ▶ 기기로 작업하는 도중에 전원 플러그를 당기지 마십시오.
- ▶ 전기 공급과 연장 케이블 사이의 연결 부위가 건조해야 하며 바닥에 놓여 있으면 안됩니다 (60cm 간격).
- ▶ 전원 코드나 고압 호스, 분사 건, 안전장치 등 주요 부품이 손상된 경우 기기를 사용하지 마십시오.
- ▶ 전원 코드나 연장 케이블이 손상될 수 있으므로 차량에 밟이지 않

도록 하고 조이거나 잡아당기지 마십시오. 케이블을 고열에 두지 말고 오일 혹은 날카로운 모서리에 접하지 않도록 하십시오.

### 급수전에 연결하기

- ▶ 귀하의 급수 회사의 규정을 준수하십시오.
- ▶ 절대로 기기를 역류 밸브 없이 식수 공급원에 연결해서는 안 됩니다. 역류 밸브를 통과한 물은 식수로 사용할 수 없다고 간주됩니다.

### 고압 호스

- ▶ 고압 호스, 부속품 그리고 연결장치치는 기기의 안전을 위해 중요합니다. 그러므로 제조사가 추천하는 호스와 부속품 및 연결장치만을 사용하십시오.
- ▶ 손상된 고압 호스가 파열될 수 있으므로 당장 교환해 주어야 합니다. 고압 호스를 날카로운 모서리 위로 당기지 말고, 엉켜져 있을 때 고압 호스를 당기지 마십시오.

### 세제 사용하기

- ▶ 반드시 기기 제조사가 추천하는 세제를 사용하고, 제조사의 사용 방법, 처리 및 경고 사항을 준수하십시오.
- ▶ 세제를 희석하여 사용하는 것이 좋습니다. 제품에 산과 알칼리 혹은 환경에 유해한 물질이 함유되어 있지 않으면 비교적 안전합니다. 어린이 손이 닿지 않는 곳에 세제를 보관하는 것이 좋습니다. 세제가 눈에 들어간 경우 즉시 물

로 깨끗이 닦아내고, 삼켰을 경우 즉시 의사 치료를 받으십시오.

- ▶ 용제를 함유한 액체, 희석되지 않은 산, 아세톤 혹은 벤진, 페인트 희석제, 난방유를 포함한 용제를 흡입해서는 안 됩니다. 그 분무기가 연성이고 폭발성이며 독성이기 때문입니다.

### 사용 전 주의 사항

- ▶ 작업자는 기기를 규정에 따른 사용 분야에만 사용해야 합니다. 현지 상황을 고려하십시오. 작업 시 주위에 어린이나 사람이 있는지 주의하십시오.
- ▶ 사용하기 전에 기기와 액세서리가 정상 상태인지 안전한 작동 여부를 점검하십시오. 하자가 있으면 기기를 사용하면 안 됩니다.
- ▶ 고압 세척기가 지면에 수직이나 수평으로 세워져 있는지 확인하십시오.
- ▶ 작업장에 있는 전류가 통하는 모든 부품은 물 분사에 안전해야 합니다.



노즐에서 나오는 물분사는 분사 건의 강한 반동을 유발합니다. 그러므로 분사 건을 양 손으로 잡으십시오.



물분사를 고압 세척기에 향하지 않도록 하십시오.



옷이나 신발을 세척하기 위해 작업자 자신이나 다른 사람에게 분사하지 마십시오.

- ▶ 분사 건의 방아쇠를 잠시 혹은 연속적으로 “ON” 위치에 고정시켜서는 안 됩니다.

30 | 한국어

- ▶ 장시간 사용하고 나면 금속 부품이 뜨거워질 수 있습니다. 필요에 따라 보호장갑을 착용하십시오.
- ▶ 폭풍이나 폭우가 내릴 때, 특히 번개 위험이 있을 경우 고압 세척기를 사용하지 마십시오.
- ▶ 주유소 등 위험한 분야에서 기기를 사용할 경우 이에 해당하는 안전수칙을 준수하십시오. 폭발 위험이 있는 곳에서는 사용이 금지되어 있습니다.
- ▶ 석면 등 건강에 유해한 물질을 함유하고 있는 표면에 작업하지 마십시오.



고압 분사로 인해 손상되는 것을 방지하기 위해 차량 타이어 / 밸브는 최소한

30 cm 간격을 유지하며 청소하십시오. 손상된 초기 증상은 타이어가 변색하는 것입니다. 손상된 차량 타이어 / 밸브는 매우 위험합니다.

**보수 정비 전의 주의 사항**

- ▶ 각종 세척 및 보수 정비작업을 하기 전에 기기의 스위치를 끄고 전원 플러그를 빼십시오.
- ▶ 수리는 반드시 보쉬 지정 서비스 센터에서만 실시하도록 맡기십시오.
- ▶ 제조사가 허용하는 액세서리와 부품만을 사용하십시오. 정품 액세서리 및 부품을 사용해야 하자 없는 기기의 작동을 보장할 수 있습니다.

**설명서에 나온 기호 설명**

다음에 나와있는 기호는 사용 설명서를 읽고 이해하는 데 중요합니다. 그러므로 기호와 그 의미를 잘 기억하십시오. 기호를 제대로 이해하면 전동공구를 더욱 쉽고 안전하게 사용할 수 있습니다.

기호	의미
	이동 방향
	반동 방향
	중량
	온
	오피
Lo	저압
Hi	고압
	별매 액세서리

**규정에 따른 사용**

본 기기는 보쉬사가 허용하는 세제 등 적합한 액세서리를 사용하여, 집 주위의 표면이나 물체를 세척할 때, 기기, 자동차, 보트를 청소할 때 사용해야 합니다.

규정에 따른 사용은 주변 온도가 0°C에서 50°C 사이의 경우입니다.

**제품의 주요 명칭**

제품의 주요 명칭에 표기된 번호는 기기 그림이 나와있는 면을 참고하십시오.

- 1 방아쇠
- 2 방아쇠 안전잠금장치
- 3 분사 건
- 4 렌스 연결장치
- 5 스테인레스 스틸 렌스
- 6 노즐
- 7 고압 호스 연결부위 (분사 건)
- 8 손잡이
- 9 추가 저장 공간 (GHP 5-55/GHP 5-65/GHP 5-75)
- 10 렌스 홀더 (상부)
- 11 전원 스위치
- 12 렌스 홀더 (하부)
- 13 고압 호스 연결부위 (GHP 5-55/GHP 5-65/GHP 5-75)
- 14 급수 연결부위
- 15 운반용 보조 손잡이
- 16 운반용 바퀴
- 17 페달
- 18 세제 게이지
- 19 세제 흡입 호스
- 20 고무 발

- 21 저장 공간
  - 22 운반용 손잡이 (후면)
  - 23 케이블 길이
  - 24 호스 릴 손잡이  
(GHP 500 X/GHP 5-65 X/GHP 5-75 X)
  - 25 호스 릴 (감개)  
(GHP 500 X/GHP 5-65 X/GHP 5-75 X)
  - 26 압력 조절 손잡이  
(GHP 5-75/GHP 5-75 X)
  - 27 압력계  
(GHP 5-75 X)
  - 28 고압 호스  
(GHP 5-55/GHP 5-65/GHP 5-75)
- 도면이나 설명서에 나와있는 액세서리는 표준 공급부품에 속하지 않습니다. 전체 액세서리는 저희 액세서리 프로그램을 참고하십시오.

## 제품 사양

고압 세척기		GHP 5-55	GHP 500X	GHP 5-65	GHP 5-65X	GHP 5-75	GHP 5-75X
제품 번호	3 600 ...	J10 4..	J10 9..	J10 5..	J10 6..	J10 7..	J10 8..
정격 출력	kW	2.2	2.2	2.4	2.4	2.6	2.6
최대 급수 온도	°C	50	50	50	50	50	50
정격 유량	l/h	500	500	485	485	560	560
정격 압력	MPa	11.5	11.5	13.0	13.0	14.0	14.0
최대 작동 압력	MPa	13.0	13.0	16.0	16.0	18.5	18.5
토출량	l/h	520	520	520	520	570	570
최대 급수 압력	MPa	1	1	1	1	1	1
최대 압력 시 랜스의 반동	N	19.71	19.71	20.46	20.46	24.37	24.37
모터 절연 등급		등급 F	등급 F	등급 F	등급 F	등급 F	등급 F
모터 보호 등급		IPX5	IPX5	IPX5	IPX5	IPX5	IPX5
자동 정지 기능		●	●	●	●	●	●
압력계		-	-	-	-	-	●
압력 조절 손잡이		-	-	-	-	●	●
호스 릴		-	●	-	●	-	●
전원 임피던스	Ω	-	-	0.32	0.32	0.32	0.32
음압 레벨	dB(A)	78	78	78	78	77	77
불확실성	dB(A)	=2.5	=2.5	=2.5	=2.5	=2.3	=2.3
음향 레벨	dB(A)	92	92	92	92	91	91
불확실성	dB(A)	=2.5	=2.5	=2.5	=2.5	=2.3	=2.3
총 진동치	m/s <sup>2</sup>	=1.841	=1.841	=1.841	=1.841	=1.841	=1.841
불확실성	m/s <sup>2</sup>	=1.5	=1.5	=1.5	=1.5	=1.5	=1.5
음향 레벨	dB(A)	95	95	95	95	94	94
EPTA 공정 01:2014 에 따른							
중량	kg	22.0	24.8	23.5	25.0	26.7	28.2
안전 등급		⊕ /I	⊕ /I	⊕ /I	⊕ /I	⊕ /I	⊕ /I
일련번호	고압 세척기에 있는 일련번호 (명판) 참조						

돌입 전류는 단시간 전압 강하를 유발합니다. 전원 공급 조건이 좋지 않은 경우 다른 기기에 영향을 미칠 수 있습니다. 전원 공급 시스템 임피던스가 0.32 Ohm 이하인 경우 아무런 이상이 없습니다.

## 급수전에 연결하기 (그림 F 참조)

**참고:** 충분한 물이 유입될 수 있을 경우에만 정격 압력에 도달할 수 있습니다. 10 리터 용기에 물을 1분 내에 충입할 수 있으면 물의 유입이 충분한 것입니다.

**경고:** 물 없이 연속적으로 작업을 하면 펌프를 손상할 수 있습니다.

32 | 한국어

**참고:** 충분한 급수를 위해 가능하면 최소 13 mm 직경 (1/2") 의 짧은 호스를 사용하십시오. 10 m 이상의 호스 길이의 경우 직경 19 mm (3/4") 의 직경이 필요합니다. 수도꼭지를 완전히 열어줍니다. 모든 연결 부위가 밀폐되어 있어야 합니다. 급수 필터를 정기적으로 닦아 주십시오 (보수 정비 내용 참조).

- 항상 외부의 급수 필터 (공급 내역에 포함) 를 사용하십시오. 필터의 밀폐 상태를 확인하십시오.
- 필요한 경우 호스 어댑터 (표준 공급 부품에 포함되지 않음) 를 조립하십시오.
- 가능한 한 13 mm (1/2") 혹은 19 mm (3/4") 직경의 물 호스를 연결하십시오.
- 수도꼭지를 완전히 열어 모든 연결 부위가 밀폐되어 있는지 검사하십시오.

**전원에 연결하기 (그림 G 참조)**

**참고:** 정격 출력은 고압 세척기가 안정된 전원에 연결된 경우에만 보장됩니다. 단면이 좁은 긴 연장 케이블을 사용하거나 케이블 릴에 감은 상태로, 동시에 여러 기기를 전원에 연결하여, 혹은 허용 한계를 벗어난 전압의 변동이 있는 경우 모터의 시동을 저지하거나 토출 압력을 낮게 합니다.

**고압 세척기와 호스에서 공기 제거하기 (그림 G 참조)**

**참고:** 급수전에 연결하여 사용하고 나서 매번 고압 세척기의 공기를 다음과 같이 제거해야 합니다:

- 전원 스위치를 꺼짐 (0) 위치에 두십시오.
- 분사 건에서 램스를 빼십시오.
- 방아쇠를 누르면 분사 건에서 공기와 물이 확실히 빠져나가는 소리가 납니다. 물이 일정하게 나올 때까지 방아쇠를 누른 상태를 유지하십시오. 방아쇠를 놓으십시오.
- 램스를 조립하십시오.
- 고압 세척기의 전원 스위치를 켜십시오.
- 안전잠금장치를 누른 다음에, 분사건에 있는 방아쇠를 작동하십시오.

**대체적인 급수원에 연결하여 사용 (그림 I 참조)**

고압 세척기로 물탱크의 물이나 천연수를 흡입하여 사용할 수 있습니다. 이때 **중요한 것은**, 깨끗한 물만을 흡입하고 내부 및 외부 급수 필터를 조립하여 깨끗해야 합니다 (보수 정비 내용 참조).

**열린 물탱크와 천연수 (그림 I 참조)**

다음 액세서리로 구성된 자흡식 장치를 사용하십시오:

- 역류 방지 밸브가 있는 흡입 필터
- 강화된 3 m 흡입 호스
- 고압 세척기용 유니버설 커플링

이 액세서리를 사용하면 고압 세척기로 물 수위보다 0.5 m 높이까지 물을 흡입할 수 있습니다. 이 경우 약 25-50 초 정도 걸립니다.



공기를 빼기 위해 3 m 호스를 완전히 물 안에 넣으십시오. 그리고 나서 3 m 흡입 호스를 고압 세척기에 연결하고, 이때 흡입 필터가 계속 물 안에 있도록 해야 합니다.

고압 호스에서 물이 일정하게 흐를 때까지, 분사 건을 뺀 상태로 고압 세척기를 작동하십시오. 25-50 초가 지나도 물이 나오지 않으면 스위치를 끄고 모든 연결 부위를 확인해 보십시오. 물이 흐르면 고압 세척기의 스위치를 끄고, 작업하려면 분사 건과 램스를 연결하십시오.

좋은 품질의 호스와 커플링이 제대로 연결되어 있어야 하며, 손상되지 않은 실링이 바르게 끼워져 있는 것이 중요합니다. 연결장치가 완전히 밀폐되어 있지 않으면 자동 흡입에 지장을 줄 수 있습니다.

**배수 꼭지가 있는 물탱크 (그림 I 참조)**

고압 세척기를 적합한 배수 꼭지가 있는 물탱크에 연결해야 할 경우 우선 물 호스 (함께 공급되지 않음) 를 물탱크 꼭지에 연결해야 합니다. 꼭지를 열고 호스 안에 있는 공기를 모두 빼내고 나서 고압 세척기에 연결하십시오.

**세제 사용하기 (그림 J 참조)**

반드시 기기 제조사가 추천하는 세제를 사용하고, 제조사의 사용방법, 처리 및 경고 사항을 준수하십시오.

기기의 후면에 있는 흡입 호스를 잡아 당겨 세제 용기 안으로 끼우십시오 (공급 내역에 비포함).

노즐을 잡아 당기십시오 (= 낮은 압력).

방아쇠를 누르십시오. 잠시 후에 노즐에서 거품이 나옵니다.

고압 세척기 후면에 있는 조절 손잡이로 세제의 양을 조절하십시오.

물분사를 조절하기 위해 노즐을 돌리십시오.



## 고장 원인찾기

증상	가능한 원인	조치
모터가 가동하지 않습니다	전원 플러그가 연결되지 않았습니다 콘센트가 고장입니다 퓨즈가 단선되었습니다 연장 케이블이 손상되었습니다 모터 보호장치가 작동하였습니다 동결되었습니다	전원 플러그를 연결하십시오 다른 콘센트를 사용하십시오 퓨즈를 교체하십시오 연장 케이블 없이 시도하십시오 모터를 15 분 동안 식하십시오 펌프, 호스 및 액세서리를 해동하십시오
모터가 정지됩니다	퓨즈가 단선되었습니다 배전 전압이 맞지 않습니다 모터 보호장치가 작동하였습니다	퓨즈를 교체하십시오 배전 전압이 기기 명판에 표기된 전압과 일치하는지 확인하십시오 모터를 15 분 동안 식하십시오
퓨즈가 단선됩니다	퓨즈가 너무 약합니다	고압 세척기의 성능에 맞게 안전장치가 되어 있는 전원에 연결하십시오
모터는 가동하지만 수압이 없습니다	노즐이 일부 막혔습니다	노즐 청소하기
모터 소리는 나는데 작동하지 않습니다	배전 전압이 부족합니다 연장 케이블을 사용하여 전압이 너무 낮습니다 기기를 너무 오랫동안 사용하지 않았습니다	전원의 전압이 기기 명판에 표기된 전압과 일치하는지 확인하십시오 연장 케이블이 적합한지 확인해 보십시오 보쉬 지정 서비스 센터에 문의하십시오
수압이 맥동합니다	자동정지 기능이 문제가 있습니다 호스나 펌프에 공기가 들어 있습니다 급수 상태가 적합하지 않습니다 필터가 막혔습니다 호스가 눌렀거나 꺾인 상태입니다 고압 호스가 너무 길니다	보쉬 지정 서비스 센터에 문의하십시오 일정한 작동 압력이 될 때까지 분사 건을 누르고 급수전을 연 채 저압 모드로 고압 세척기를 작동하십시오 급수 연결이 제품 사양에 나와 있는 내용과 부응하는지 확인하십시오. 사용 가능한 최소한 호스 크기는 1/2" 혹은 직경 13 mm입니다 필터를 청소하십시오 호스를 일직선으로 놓으십시오 고압 호스 연장선을 빼십시오, 최대 호스 길이 7 m
수압이 일정하지만 너무 낮습니다	노즐이 마모되었습니다	노즐을 교체하십시오
참고: 특정한 액세서리로 인해 수압이 낮아집니다	시동 / 정지 밸브가 마모되었습니다	방아쇠를 짧은 간격으로 5 회 작동하십시오
모터는 작동하지만 수압이 한정되거나 작동 압력에 미달합니다	급수가 연결되지 않았습니다 필터가 막혔습니다 노즐이 막혔습니다	급수를 연결하십시오 필터 청소하기 노즐을 청소하십시오
고압 세척기가 자동으로 시동합니다 기기가 켜집니다	펌프나 분사 건이 켜집니다 펌프가 켜집니다	보쉬 지정 서비스 센터에 문의하십시오 약간의 누수는 무방합니다; 누수가 심하면 서비스 센터에 문의하십시오

34 | 한국어

증상	가능한 원인	조치
세제가 흡입되지 않습니다	조절 가능한 노즐이 고압 위치에 있습니다	노즐을 저압 위치로 맞추십시오 (잡아당김).
	세제가 너무 끈적거립니다	물로 희석하십시오
	고압 호스가 연장되었습니다	정품 호스를 연결하십시오
	세제 순환장치에 잔여물이 있어 झा아졌 습니다	깨끗한 물로 씻어내고 झा아진 것을 제거하십시오. 그래도 계속 문제가 있으면 보쉬 서비스 센터에 문의하십시오.

### 사용 후 고압 세척기 비우기 (그림 L 참조)

- 수도꼭지에서 호스를 빼십시오.
- 분사 건에서 렌스를 빼십시오.
- 분사 건을 아래로 향하게 하고 고압 세척기의 스위치를 켜십시오.
- 방아쇠를 누르고 전체 시스템을 비우십시오.
- 경고:** 고압 세척기를 25 초 이상 건식 상태로 작동하게 하지 마십시오.
- 고압 세척기는 건조한 곳에 보관하십시오.
- 경고:** 추위로 인한 기기의 손상은 품질보증에서 제외됩니다. 기온이 0° C 이하가 되면 고압 세척기에 남아 있는 물이 얼어 펌프가 고장납니다. 기온 4° C 이하의 지역에서는 겨울이 되기 전에 마지막으로 사용하고 나서 고압 세척기를 비워 주어야 합니다.

### 보수 정비 및 서비스

#### 보수 정비

- ▶ 기기에 각종 보수 정비작업을 하기 전에 전원 플러그를 빼고 급수 연결장치를 풀어 주십시오.

**참고:** 장기간 신뢰성 있는 사용을 보장하기 위해 다음의 보수 정비작업을 정기적으로 실시하십시오.

기기의 조임 상태가 느슨하지 않은지, 부품이 마모되거나 손상되지 않았는지 쉽게 확인할 수 있는 고장이 있는지 확인해 보십시오.

커버와 안전장치가 손상되지 않았는지 제대로 부착되어 있는지 확인하십시오. 사용하기 전에 필요한 보수 및 수리작업을 실시하십시오.

기기를 매 200 (GHP 5-55, GHP 5-65, GHP 5-65 X, GHP 500 X) 에서 300 (GHP 5-75, GHP 5-75 X) 작동 시간마다 보쉬 지정 서비스 센터에 맡겨 점검하도록 하십시오.

필터를 정기적으로 매주 한 번씩 청소하십시오. 식초를 사용하면 석회 잔여물을 쉽게 제거할 수 있습니다. 이 경우 필터를 30 분 동안 식초에 담가두십시오.

(그림 M-N 참조)

노즐을 깨끗이 닦으십시오.

○ 링에 그리스를 바르십시오. (그림 O 참조)

#### 보쉬 AS 및 고객 상담

[www.bosch-professional.com](http://www.bosch-professional.com)

문의 사항이 있거나 스페어 부품을 주문할 때 반드시 기기의 명판에 표기된 10 자리의 제품 번호를 알려 주십시오.

Bosch Korea, RBKR  
Mechanics and Electronics Ltd.  
PT/SAX-ASA  
298 Bojeong-dong Giheung-gu  
Yongin-si, Gyeonggi-do, 446-913  
080-955-0909

#### 환경 보호


환경에 유해한 화학물이 토지, 지하수, 연못이나 강으로 들어가는 것은 안 됩니다.

세제를 사용할 경우 포장에 나온 내용과 규정된 농도를 정확히 준수하십시오.

모터 차량을 세척할 경우 현지의 규정을 준수하십시오: 분사한 오일이 지하수 안으로 들어가지 않도록 해야 합니다.

#### 처리

고압 세척기, 액세서리 및 포장 등은 환경 친화적인 방법으로 재활용 수 있도록 분류하십시오.

 고압 세척기를 가정용 쓰레기로 처리하지 마십시오!

#### EU 국가만 해당:

폐전기전자제품처리에 관한 EU 지침 2012/19/EU 와 해당 국가법 이행에 따라 더 이상 사용이 불가능한 전기제품과 전자제품은 분리 수거하여 환경 친화적인 방법으로 재활용하도록 해야 합니다.

위 사항은 사전 예고 없이 변경될 수도 있습니다.

## ภาษาไทย

### กฎระเบียบเพื่อความปลอดภัย สัญลักษณ์บนเครื่อง



**ต้องอ่านคำเตือนเพื่อความปลอดภัยและคำสั่งทั้งหมด** การไม่ปฏิบัติตามคำเตือนและคำสั่ง

อาจเป็นสาเหตุให้ถูกไฟฟ้าดูด เกิดไฟไหม้ และ/หรือได้รับบาดเจ็บอย่างร้ายแรง



การเตือนอันตรายทั่วไป



อย่าเล็งลำน้ำที่ฉีดออกมาพุ่งตรงไปยังคน สัตว์ เครื่อง หรือชิ้นส่วนไฟฟ้าอย่างเด็ดขาด

คำเตือน: ลำน้ำฉีดแรงดันสูงอาจเป็นอันตรายได้หากใช้ในทางที่ผิด



**ตามระเบียบที่ใช้บังคับ ต้องไม่เชื่อมต่อเครื่องเข้ากับเครือข่ายนำประปาดื่มโดย**

**ไม่มีอุปกรณ์แยกกระบบอย่างเด็ดขาด ใช้อุปกรณ์แยกกระบบตามมาตรฐานสากล IEC 61770 ประเภท BA**

น้ำที่ไหลผ่านอุปกรณ์แยกกระบบถือว่าดื่มไม่ได้

สำหรับปั๊มแบบล่อน้ำด้วยตนเอง ให้ใช้ชุดชุดพิเศษยาว 3 ม. (F 016 800 335)

### คุณสมบัติของผู้ใช้และการป้องกันส่วนบุคคล

- ▶ บุคคลที่มีข้อจำกัดทางสภาพร่างกาย ประสาทสัมผัสหรือจิต หรือขาดประสบการณ์และความรู้สามารถใช้งานเครื่องนี้ได้ หากบุคคลเหล่านี้ได้รับการดูแลหรือคำแนะนำเกี่ยวกับการใช้เครื่องอย่างปลอดภัยและเข้าใจอันตรายที่เกี่ยวข้อง
- ▶ ห้ามเด็กหรือเยาวชนใช้เครื่องทำงานใดๆ ควรได้รับการควบคุมดูแลเพื่อให้แน่ใจว่าพวกเขาจะไม่นำเครื่องไปเล่น
- ▶ ผู้ใช้งานเครื่องนี้ได้ต้องเป็นบุคคลที่ได้รับการฝึกฝน หรือได้แสดงให้เห็นว่าสามารถใช้เครื่องทำงานได้เท่านั้น



สวมใส่อุปกรณ์ป้องกันอันตรายส่วนบุคคล (PPE) ด.ย. เช่น แวนครอบตานิรภัย หน้ากากกันฝุ่น และอื่นๆ เพื่อป้องกันน้ำ อนุภาค และ/หรือละอองลอยที่กระเซ็นกลับมาอย่าสูดละอองลอยเข้าไปในกรณีที่คุณสูดน้ำจากแหล่งน้ำภายนอก น้ำดังกล่าวอาจมีเชื้อก่อโรค

- ▶ อย่าใช้เครื่องในบริเวณที่มีคน เว้นแต่คนเหล่านั้นจะสวมใส่ชุดป้องกันด้วย

### การเชื่อมต่อกับแหล่งจ่ายกระแสไฟฟ้า

- ▶ แรงดันไฟฟ้าที่ระบุไว้บนแผ่นป้ายต้องสอดคล้องกับแรงดันไฟฟ้าของแหล่งจ่ายกระแสไฟฟ้า
- ▶ ค่าแรงดันไฟฟ้าใช้งานคือ 230 V AC (สำหรับประเทศนอกประชาคมยุโรป 220 V หรือ 240 V แล้วแต่กรณี)

## 36 | ภาษาไทย

- ▶ ต้องเชื่อมต่อเครื่องที่มีระดับป้องกัน I เครื่องนี้เข้ากับแหล่งจ่ายกระแสไฟฟ้าที่มีการต่อลงดินอย่างถูกต้องเท่านั้น
- ▶ ต้องให้ช่างไฟฟ้าผู้มีความชำนาญติดตั้งระบบไฟฟ้าซึ่งจะต้องสอดคล้องกับมาตรฐานสากล IEC 60364-1
- ▶ เราขอแนะนำให้เชื่อมต่อเครื่องนี้เข้ากับเต้าเสียบที่มีการป้องกันด้วยเครื่องตัดกระแสไฟฟ้าพิเศษเหลือขนาด 30 mA เท่านั้น

### ข้อกำหนดสำหรับสายไฟต่อพ่วงและปลั๊กไฟฟ้า

- ▶ คำเตือน: สายไฟต่อพ่วงที่ไม่ตรงตามกฎระเบียบอาจเป็นอันตรายได้ สายไฟต่อพ่วงต้องมีสายดิน สายไฟต่อพ่วง ปลั๊กไฟฟ้า และเต้าเสียบจะต้องออกแบบให้กันน้ำได้ ป้องกันน้ำที่กระเด็นใส่ และเหมาะสำหรับใช้งานกลางแจ้ง หากมีข้อสงสัย กรุณาติดต่อช่างไฟฟ้าผู้มีความชำนาญหรือศูนย์บริการ บอชที่ใกล้ที่สุด
- ▶ ขอแนะนำสายไฟขนาดต่อไปนี้:
  - สำหรับความยาวสูงสุด 20 ม. เส้นผ่าศูนย์กลางสายไฟฟ้า 2.5 มม.<sup>2</sup>
  - สำหรับความยาวสูงสุด 50 ม. เส้นผ่าศูนย์กลางสายไฟฟ้า 4.0 มม.<sup>2</sup>
- ▶ หากปลั๊กไฟฟ้าไม่เหมาะกับเต้าเสียบของท่าน ต้องให้ศูนย์บริการลูกค้าที่ได้รับมอบหมายตัดปลั๊กไฟฟ้าออกไปและติดตั้งปลั๊กไฟฟ้าที่เหมาะสมเข้าแทนที่ ในกรณีเป็นปลั๊กไฟฟ้าที่มีพิวส์ภายใน ปลั๊กไฟฟ้าที่เปลี่ยนใหม่ต้องมีพิกัดพิวส์เดียวกับปลั๊กไฟฟ้าเดิม ปลั๊กไฟฟ้าที่ตัดออกไปต้องนำไป

กำจัดเพื่อหลีกเลี่ยงอันตรายจากไฟฟ้าดูดที่อาจเกิดขึ้นได้ และอย่านำไปเสียบเข้าในเต้าเสียบอื่นๆ อย่างเด็ดขาด

- ▶ ผลิตรถยนต์ที่จำหน่ายในสหราชอาณาจักรบริเตนใหญ่เท่านั้น: ผลิตรถยนต์ของท่านติดตั้งปลั๊กไฟฟ้าตามมาตรฐาน BS 1363/A ที่มีพิวส์ภายใน (ผ่านการรับรอง ASTA ตามมาตรฐาน BS 1362)
- ▶ ถอดปลั๊กไฟฟ้าออกจากเต้าเสียบเมื่อใดก็ตามที่ท่านปล่อยให้เครื่องไว้โดยไม่ดูแลแม้ช่วงเวลาสั้นๆ
- ▶ อย่าสัมผัสปลั๊กไฟฟ้าหรือเต้าเสียบด้วยมือเปียกๆ อย่างเด็ดขาด
- ▶ อย่าดึงปลั๊กไฟฟ้าในขณะที่กำลังใช้เครื่องทำงาน
- ▶ การเชื่อมต่อระหว่างสายไฟฟ้าและสายไฟต่อพ่วงจะต้องแห้งและอยู่เหนือจากพื้น 60 ซม.
- ▶ อย่าใช้เครื่องหากสายเคเบิลหรือชิ้นส่วนสำคัญ ต.ย. เช่น สายยางแรงดันสูง ปืนฉีด หรืออุปกรณ์ความปลอดภัยเสียหาย
- ▶ อย่าวิ่งทับ บีบอัด หรือดึงสายเคเบิลและสายไฟต่อพ่วง มิฉะนั้นอาจเสียหายได้ ปกป้องสายเคเบิลจากความร้อน น้ำมัน และขอบแหลมคม

### การเชื่อมต่อกับน้ำ

- ▶ ปฏิบัติตามกฎข้อบังคับของบริษัทจำหน่ายของท่าน
- ▶ อย่าเชื่อมต่อเครื่องเข้ากับระบบจ่ายน้ำประปาดื่มโดยไม่มีวาล์วป้องกันน้ำไหลกลับอย่างเด็ดขาด น้ำ

ที่ผ่านวาล์วป้องกันน้ำไหลกลับถือว่า  
ดีไม่ได้อีกต่อไป

### สายยางแรงดันสูง

- ▶ สายยางแรงดันสูง พืดตั้ง และข้อต่อ  
เพลลา มีความสำคัญต่อความปลอดภัย  
ของเครื่อง ใช้เฉพาะสายยาง พืดตั้ง  
และข้อต่อเพลลา ที่แนะนำโดยบริษัท  
ผู้ผลิตเท่านั้น
- ▶ สายยางแรงดันสูงที่ชำรุดอาจแตก  
ได้ และต้องเปลี่ยนทันที อย่าดึง  
สายยางผ่านขอบแหลมคม อย่าดึง  
หากสายยางพันกันยุ่ง

### การใช้น้ำยาทำความสะอาด

- ▶ ใช้เฉพาะน้ำยาทำความสะอาดที่  
แนะนำโดยบริษัทผู้ผลิตเท่านั้น  
และปฏิบัติตามคำแนะนำการใช้งาน  
การกำจัด และคำเตือนของบริษัท  
ผู้ผลิต
- ▶ เราขอแนะนำว่าอย่าใช้น้ำยาทำความสะอาด  
โดยไม่เจือจาง ผลิตภัณฑ์ที่  
ใช้จะมีความปลอดภัยเมื่อไม่มีกรด  
ผสม ไม่มีด่าง หรือสารที่เป็นอันตราย  
ต่อสภาพแวดล้อม เราขอแนะนำให้  
เก็บน้ำยาทำความสะอาดให้พ้นมือ  
เด็ก ถ้าน้ำยาทำความสะอาดเข้า  
ตา ให้ล้างด้วยน้ำปริมาณมากทันที  
และถ้ากลืนกิน ให้ไปพบแพทย์ทันที
- ▶ อย่าสูบเข้าของเหลวที่มีตัวทำละลาย  
กรดเข้มข้น อะซิโตน หรือตัวทำ  
ละลาย! ซึ่งรวมถึงน้ำมัน ทินเนอร์  
สี น้ำมันให้ความร้อน ไขมันที่พ่น  
ออกมามีคุณสมบัติติดไฟสูง ระเบิด  
ได้ และเป็นพิษ

### ข้อปฏิบัติก่อนการใช้งาน

- ▶ ผู้ใช้งานเครื่องต้องใช้เครื่องตามกฎ  
ระเบียบ เมื่อใช้เครื่องทำงาน ต้อง  
ตระหนักถึงสถานะเงื่อนไขที่กำหนด  
ในท้องถิ่น มีสติใส่ใจบุคคลอื่น โดย  
เฉพาะอย่างยิ่งเด็ก ๆ
- ▶ ก่อนใช้งาน ให้ตรวจสอบเครื่องและ  
อุปกรณ์ทำงานว่าอยู่ในสภาพที่  
สมบูรณ์แบบและมีความปลอดภัยใน  
การทำงานหรือไม่ อย่าใช้งานหาก  
เครื่องไม่อยู่ในสภาพดีสมบูรณ์แบบ
- ▶ อย่าทิ้งเครื่องโดยไม่มีการควบคุมดูแล  
ในขณะที่เครื่องเปิดสวิตช์อยู่อย่าง  
เด็ดขาด
- ▶ ตรวจสอบให้แน่ใจว่าได้วางเครื่องบน  
ฐานรองรับในแนวตั้งหรือแนวนอนบน  
พื้นแข็ง
- ▶ ส่วนประกอบที่นำไฟฟ้าทั้งหมดที่  
อยู่ในพื้นที่ทำงานต้องได้รับ  
การป้องกันจากน้ำสาตกระเด็น



▶ ถ้าน้ำที่ฉีดออกมาจากหัวฉีด  
แรงดันสูงทำให้เกิดแรงสะท้อน  
กลับมาที่ปืนฉีด ดังนั้นให้ถือ  
ปืนฉีดและก้านฉีดด้วยมือทั้งสองข้าง  
อย่างแน่นหนา



▶ อย่าเล็งลำน้ำที่ฉีดออกมาตรง  
ไปยังตัวเครื่อง



▶ อย่าเล็งลำน้ำที่ฉีดออกมาอย่า  
เล็งลำน้ำที่ฉีดออกมาตรงไปยัง  
อย่าเล็งลำน้ำที่ฉีดออกมา  
ตรงไปยังตัวท่าน หรือคนอื่น ๆ  
เพื่อทำความสะอาดเสื้อผ้า หรือ  
รองเท้าตัวท่าน หรือคนอื่น ๆ เพื่อทำ  
ความสะอาดเสื้อผ้า หรือรองเท้าตรงไป

## 38 | ภาษาไทย

ยังตัวท่าน หรือคนอื่นๆ เพื่อทำความสะอาดเสื้อผ้า หรือรองเท้า

- ▶ ในระหว่างทำงานต้องไม่ตึงไก ปีนฉืดให้อยู่ในตำแหน่ง เปิด เป็นการชั่วคราวหรือถาวร
- ▶ ชิ้นส่วนโลหะอาจร้อนขึ้นหลังใช้งาน เป็นเวลานาน ให้สวมถุงมือป้องกัน หากจำเป็น
- ▶ หลีกเลี่ยงการใช้งานเครื่องฉีดน้ำ แรงดันสูงขณะเกิดพายุฝนฟ้าคะนอง และอื่นๆ โดยเฉพาะอย่างยิ่งเมื่อมีความเสี่ยงต่อการเกิดฟ้าผ่า
- ▶ เมื่อใช้เครื่องในพื้นที่อันตราย (เช่น สถานีเติมน้ำมัน) ต้องปฏิบัติตามกฎระเบียบเพื่อความปลอดภัยที่เกี่ยวข้อง ห้ามใช้เครื่องทำงานในสถานที่ที่อาจจะระเบิดได้
- ▶ อย่าฉีดน้ำไปบนพื้นผิวที่มีสารที่เป็นอันตรายต่อสุขภาพของท่าน (ต. ย. เช่น แร่ใยหิน)



เพื่อหลีกเลี่ยงความเสียหายจากลำน้ำที่ฉีดออกมาด้วยแรงดันสูง ให้ทำความสะอาดล้อ/วาล์วของยานยนต์จากระยะห่างอย่างน้อย 30 ซม. ปรากฏการณ์เบื้องต้นของความเสียหายคือล้อเปลี่ยนสี ล้อ/วาล์วของยานยนต์ที่เสียหายอาจเป็นอันตรายอย่างยิ่ง

### ข้อปฏิบัติก่อนการบำรุงรักษา

- ▶ ปิดสวิทช์เครื่องและดึงปลั๊กไฟออกก่อนทำความสะอาดและบำรุงรักษาทุกครั้ง
- ▶ ส่งเครื่องให้ศูนย์บริการ บู้ช ที่ได้รับมอบหมายซ่อมแซมเท่านั้น

▶ ใช้เฉพาะอุปกรณ์ประกอบและอะไหล่ที่ผ่านการรับรองจาก บู้ช เท่านั้น อุปกรณ์ประกอบและอะไหล่ของแท้เท่านั้นที่รับประกันว่าเครื่องจะสามารถทำงานได้อย่างปลอดภัยและไม่ชำรุดเสียหาย

### สัญลักษณ์ในคู่มือการใช้งาน

สัญลักษณ์ต่อไปนี้มีความสำคัญต่อการอ่านและการทำความเข้าใจคู่มือการใช้งานเครื่อง กรุณาจดจำสัญลักษณ์และความหมายของสัญลักษณ์ การแปลความสัญลักษณ์ได้ถูกต้องจะช่วยให้ท่านใช้เครื่องได้ดีและปลอดภัยกว่า

สัญลักษณ์	ความหมาย
	ทิศทางการเคลื่อนที่
	ทิศทางการตอบสนอง
	น้ำหนัก
	เปิด
	ปิด
Lo	แรงดันต่ำ
Hi	แรงดันสูง
	อุปกรณ์ประกอบ

### ประโยชน์การใช้งานของเครื่อง

เครื่องนี้เหมาะกับการทำความสะอาดแบบมืออาชีพ ใช้ทำความสะอาดพื้นที่รอบบ้านและวัตถุ ทำความสะอาดเครื่องมือนานยนต์ และเรือ หากใช้อุปกรณ์ประกอบที่เหมาะสม เช่น สารทำความสะอาดที่ผ่านการรับรองจาก บู้ช การใช้งานหมายถึงการทำงานที่มีอุณหภูมิโดยรอบระหว่าง 0 °C และ 50 °C

### ส่วนประกอบผลิตภัณฑ์

ลำดับเลขของส่วนประกอบผลิตภัณฑ์อ้างถึงรูปภาพในหน้าภาพประกอบ

- 1 ไกปืน
- 2 ล็อคไกนิรภัย
- 3 ปีนฉืด
- 4 ข้อเชื่อมต่อเกลียวของก้านฉืด
- 5 ก้านฉืดสแตนเลสสตีล
- 6 หัวเป่าลม
- 7 ข้อต่อสายยางแรงดันสูง (ป็นฉืด)

8	ด้ามจับ	21	ที่จัดเก็บ
9	พื้นที่จัดเก็บเพิ่มเติม (GHP 5-55/GHP 5-65/GHP 5-75)	22	ด้ามยก ด้านหลัง
10	ที่ยึดก้านฉีดยาน	23	ที่ยึดสายไฟฟ้า
11	สวิทช์หลัก	24	ด้ามหมุนโรลม้วนเก็บสายยาง (GHP 500 X/GHP 5-65 X/GHP 5-75 X)
12	ที่ยึดก้านฉีดยาน ด้านล่าง	25	โรลม้วนเก็บสายยาง (GHP 500 X/GHP 5-65 X/GHP 5-75 X)
13	ข้อต่อสำหรับสายยางแรงดันสูง (GHP 5-55/GHP 5-65/GHP 5-75)	26	ปุ่มปรับแรงดัน (GHP 5-75/GHP 5-75 X)
14	ข้อต่อน้ำเข้า	27	เกจวัดแรงดัน (GHP 5-75 X)
15	ที่จับยกเพิ่มเติม	28	สายยางแรงดันสูง (GHP 5-55/GHP 5-65/GHP 5-75)
16	ล้อสำหรับการขนย้าย		
17	ที่เหยียบเท้า		
18	เก็มน้ำยาทำความสะอาด		
19	สายยางดูดน้ำยาทำความสะอาด		
20	ฐานยาง		

อุปกรณ์ประกอบที่แสดงหรือระบุไม่รวมอยู่ในการจัดส่งมาตรฐาน กรุณาดูอุปกรณ์ประกอบทั้งหมดในรายการแสดงอุปกรณ์ประกอบของเรา

## ข้อมูลทางเทคนิค

เครื่องฉีดน้ำแรงดันสูง		GHP 5-55	GHP 500X	GHP 5-65	GHP 5-65X	GHP 5-75	GHP 5-75X
หมายเลขสินค้า	3 600 ...	J10 4..	J10 9..	J10 5..	J10 6..	J10 7..	J10 8..
กำลังไฟฟ้า	กิโลวัตต์	2.2	2.2	2.4	2.4	2.6	2.6
อุณหภูมิน้ำเข้า สูงสุด	° C	50	50	50	50	50	50
อัตราการไหลกำหนด	l/h	500	500	485	485	560	560
แรงดันกำหนด	MPa	11.5	11.5	13.0	13.0	14.0	14.0
แรงดันที่ใช้งานสูงสุด	MPa	13.0	13.0	16.0	16.0	18.5	18.5
อัตราน้ำที่ไหลผ่าน	l/h	520	520	520	520	570	570
แรงดันด้านเข้าสูงสุด	MPa	1	1	1	1	1	1
แรงผลักดันที่ฉีดที่แรงดันสูงสุด	N	19.71	19.71	20.46	20.46	24.37	24.37
การฉนวนมอเตอร์	ระดับชั้น F	ระดับชั้น F	ระดับชั้น F	ระดับชั้น F	ระดับชั้น F	ระดับชั้น F	ระดับชั้น F
การป้องกันมอเตอร์	IPX5	IPX5	IPX5	IPX5	IPX5	IPX5	IPX5
ระบบหยุดทำงานอัตโนมัติ		●	●	●	●	●	●
เกจวัดแรงดัน		–	–	–	–	–	●
ปุ่มปรับแรงดัน		–	–	–	–	●	●
โรลม้วนเก็บสายยาง		–	●	–	●	–	●
ความต้านทานต่อไฟฟ้าสถิตย์	Ω	–	–	0.32	0.32	0.32	0.32
ระดับความดันเสียง	เดซิเบล (A)	78	78	78	78	77	77
ความคลาดเคลื่อน	เดซิเบล (A)	=2.5	=2.5	=2.5	=2.5	=2.3	=2.3
ระดับความดังเสียง	เดซิเบล (A)	92	92	92	92	91	91
ความคลาดเคลื่อน	เดซิเบล (A)	=2.5	=2.5	=2.5	=2.5	=2.3	=2.3
ค่าความสั่นสะเทือนรวม	m/s <sup>2</sup>	=1.841	=1.841	=1.841	=1.841	=1.841	=1.841
ความคลาดเคลื่อน	m/s <sup>2</sup>	=1.5	=1.5	=1.5	=1.5	=1.5	=1.5
ระดับความดังเสียง	เดซิเบล (A)	95	95	95	95	94	94

กระบวนการสตาร์ทเครื่องจะทำให้แรงดันไฟฟ้าหย่อนลงเล็กน้อย ในกรณีที่สภาพระบบสายไฟหลักไม่เอื้ออำนวย อาจเกิดคลื่นรบกวนอุปกรณ์/เครื่องอื่นๆ ได้ คาดว่าจะไม่เกิดการทำงานที่ผิดปกติเมื่อมีความต้านทานต่อไฟฟ้าสถิตย์ต่ำกว่า 0.32 โอห์ม

## 40 | ภาษาไทย

เครื่องฉีดน้ำแรงดันสูง	GHP 5-55	GHP 500X	GHP 5-65	GHP 5-65X	GHP 5-75	GHP 5-75X
น้ำหนักตามระเบียบการ- EPTA-Procedure						
01:2014	กก.	22.0	24.8	23.5	25.0	26.7
ระดับความปลอดภัย		⊕ / I	⊕ / I	⊕ / I	⊕ / I	⊕ / I
หมายเลขเครื่อง	ดูหมายเลขเครื่อง (แผ่นป้าย) บนเครื่องฉีดน้ำแรงดันสูง					
กระบวนการสตาร์ทเครื่องจะทำให้แรงดันไฟฟ้าหย่อนลงเล็กน้อย ในกรณีที่สภาพระบบสายไฟหลักไม่เอื้ออำนวย อาจเกิดคลื่น รบกวนอุปกรณ์/เครื่องอื่นๆ ได้ คาดว่าจะไม่เกิดการรบกวนที่ผิดปกติเมื่อมีความต้านทานต่อไฟฟ้าลัดต่ำกว่า 0.32 โอห์ม						

## การเชื่อมต่อกับน้ำ (ดูภาพประกอบ F)

### หมายเหตุ:

เครื่องจะมีแรงดันกำหนดขาออกได้เฉพาะเมื่อมีผู้ไหลเข้ามาเพียงพอกับทางน้ำเข้า

การไหลเข้าของน้ำจะเพียงพอเมื่อถึงขนาด 10 ลิตรสามารถถูกเติมเต็มได้ภายในเวลาต่ำกว่า 1 นาที

**ข้อควรระวัง:** การใช้เครื่องทำงานโดยไม่มีน้ำไหลเข้าอย่างยาวนานจะทำให้ปัมเสียหายได้

**หมายเหตุ:** สำหรับการจ่ายน้ำที่เพียงพอ ให้ใช้สายยางสั้นๆ ที่มีขนาดเส้นผ่าศูนย์กลางอย่างน้อยที่สุด 1/2" (13 มม.) สำหรับสายยางที่ยาวเกิน 10 ม. จะต้องใช้ขนาดเส้นผ่าศูนย์กลาง "3/4" (19 มม.) เปิดก๊อกน้ำจนสุด จุดเชื่อมต่อทั้งหมดต้องไม่มีการรั่วไหล ทำความสะอาดตัวกรองน้ำอย่างสม่ำเสมอ (ดูบท การบำรุงรักษา)

- ใช้ตัวกรองน้ำภายนอกเสมอ (จัดส่งมาพร้อมกับเครื่อง) ตรวจสอบการรั่วไหลที่ตัวกรองน้ำ
- ถ้าจำเป็น ให้ขันอะแดปเตอร์สายยางเข้า (ไม่รวมอยู่ในขอบเขตการจัดส่ง)
- เชื่อมต่อสายยางที่เหมาะสม ดีที่สุดคือขนาดเส้นผ่าศูนย์กลาง 1/2" (13 มม.) หรือ 3/4" (19 มม.)
- ปิดก๊อกน้ำจนสุด และตรวจสอบการรั่วไหลที่จุดเชื่อมต่อทั้งหมด

## การเชื่อมต่อกับแหล่งจ่ายกระแสไฟฟ้า (ดูภาพประกอบ G)

**หมายเหตุ:** เครื่องจะมีแรงดันกำหนดขาออกได้เฉพาะเมื่อได้เชื่อมต่อเครื่องกับแรงดันไฟฟ้าที่คงที่เท่านั้น การใช้สายไฟต่อพ่วงยาวที่มีขนาดพื้นที่หน้าตัดน้อย ไรลมันที่มีสายไฟฟ้าม้วนอยู่รอบ การใช้เครื่องอื่นๆ ทำงานไปพร้อมๆ กันโดยใช้วงจรไฟฟ้าอันเดียวกัน หรือแรงดันกระเพื่อมนอกเกณฑ์ความคลาดเคลื่อน จะทำให้เครื่องสตาร์ทยากหรือมีแรงดันขาออกต่ำ

## การใส่ลมเครื่องฉีดน้ำแรงดันสูงและสายยาง (ดูภาพประกอบ G)

**หมายเหตุ:** ใส่ลมเครื่องทุกครั้งที่จะเชื่อมต่อสายยางเข้ากับก๊อกน้ำตามขั้นตอนต่อไปนี้:

ตั้งสวิตช์หลักไว้ที่ตำแหน่งปิด OFF (0)

ปลดก้านฉีดออกจากปืนฉีด

- ทันทีกัดโก จะได้ยินเสียงลมและน้ำออกมา กัดโกค้างไว้จนกว่าน้ำจะไหลออกจากปืนอย่างคงที่ ปล่อยให้วจากโก
- เชื่อมต่อก้านฉีด
- เปิดสวิตช์เครื่องเพื่อทำงาน
- กดปุ่มปลดล๊อคนิรภัย และกดโกปืน

## การใช้กับแหล่งน้ำทางเลือกอื่น (ดูภาพประกอบ I)

เครื่องฉีดน้ำแรงดันสูงนี้จะล่อน้ำด้วยตนเองและสามารถดูดน้ำจากถังเก็บน้ำและแหล่งน้ำธรรมชาติ **สิ่งสำคัญ**คือน้ำต้องสะอาด และตัวกรองน้ำทั้งภายในและภายนอกต้องสะอาดและติดตั้งกับเครื่อง (ดูบท การบำรุงรักษา)

## ถึง/ภาชนะแบบเปิดและแหล่งน้ำธรรมชาติ (ดูภาพประกอบ I)

ให้ใช้ชุดอุปกรณ์ล่อน้ำด้วยตนเองซึ่งประกอบด้วย:

- ตะแกรงกรองดูดเข้าพร้อมวาล์วกันกลับ
- สายยางส่งน้ำแบบเสริมความแข็งแรง 3 ม.
- ข้อต่อเพลาลูกกลิ้งเข้ากับเครื่องฉีดน้ำแรงดันสูง

ชุดอุปกรณ์นี้ช่วยให้เครื่องฉีดน้ำแรงดันสูงสามารถดูดน้ำได้ถึง 0.5 ม. เหนือระดับน้ำในแหล่งน้ำในเวลาประมาณ 25–50 วินาที



จุ่มสายยาง 3 ม. ทั้งหมดลงในน้ำเพื่อไล่อากาศ เชื่อมต่อสายยางส่งน้ำ 3 ม. เข้ากับเครื่องฉีดน้ำแรงดันสูงโดยดูให้แน่ใจว่าตะแกรงกรองดูดเข้ายังคงจมอยู่ในแหล่งน้ำ

หากไม่มีน้ำไหลออกมาภายใน 25–50 วินาที ให้ปิดสวิตช์เครื่องและตรวจสอบการเชื่อมต่อทั้งหมด เมื่อมีน้ำไหลออกมา ให้เปิดสวิตช์และเชื่อมต่อก้านฉีดและหัวฉีดเพื่อทำงาน



สิ่งสำคัญคือต้องดูให้แน่ใจว่าสายยางและข้อต่อเพลาทันทั้งหมดยังอยู่ในสภาพที่ดี ผนึกแน่นไม่ให้อากาศเข้า และประเก็นวงแหวนทั้งหมดไม่ชำรุดและวางเข้าที่อย่างถูกต้อง การเชื่อมต่อที่รั่วไหลอาจส่งผลต่อประสิทธิภาพการล่อน้ำด้วยตนเอง

## ถังเก็บน้ำที่มีก๊อกระบายน้ำ (ดูภาพประกอบ I)

เมื่อเชื่อมต่อเครื่องฉีดน้ำแรงดันสูงเข้ากับถังเก็บน้ำที่มีก๊อกระบายน้ำที่เหมาะสม ให้เชื่อมต่อสายยางส่งน้ำ (ไม่ได้จัดส่งมา) เข้ากับก๊อกระบายน้ำก่อน เปิดก๊อกน้ำเพื่อให้น้ำเข้าไปแทนที่อากาศทั้งหมดในสายยาง จากนั้นจึงเชื่อมต่อเข้ากับเครื่องฉีดน้ำแรงดันสูง

## การใช้น้ำยาทำความสะอาด (ดูภาพประกอบ J)

ใช้เฉพาะน้ำยาทำความสะอาดที่แนะนำโดยบริษัทผู้ผลิตเท่านั้น และปฏิบัติตามคำแนะนำการใช้งาน การกำจัด และค่าเตือนของบริษัทผู้ผลิต

ดึงสายยางดูดที่อยู่ด้านหลัง และใส่ลงไปในขวดที่มีน้ำยาทำความสะอาด (ไม่ได้จัดส่งมา)

ดึงหัวฉีดของก้านฉีดออกไปที่ตำแหน่งแรงดันต่ำ

เปิดสวิตช์ปืนฉีด หลังจากนั้นไม่กี่วินาทีจะมีโฟมออกมาที่หัวฉีด

ปรับปุ่มที่อยู่ด้านหลังเพื่อตั้งปริมาณการให้น้ำยาทำความสะอาด

หมุนหัวฉีดไปทางซ้าย/ขวาเพื่อปรับลำน้ำ

## การแก้ไขปัญหา

ปัญหา	สาเหตุที่เป็นไปได้	มาตรการแก้ไข
มอเตอร์ไม่สตาร์ท	ไม่ได้เสียบปลั๊กไฟฟ้า	เสียบปลั๊กไฟฟ้า
	เต้าเสียบไฟฟ้าบกพร่อง	ใช้เต้าเสียบอื่น
	ฟิวส์ขาด	เปลี่ยนฟิวส์ใหม่
	สายไฟต่อฟ่วงเสียหาย	ลองโดยไม่ใช้สายไฟต่อฟ่วง
	อุปกรณ์ป้องกันมอเตอร์ถูกเรียกใช้งาน	ปล่อยให้เย็นลงประมาณ 15 นาที
มอเตอร์หยุดทำงาน	เย็นแข็ง	รอให้น้ำ/สายยางส่งน้ำ/อุปกรณ์ประกอบละลาย
	ฟิวส์ขาด	เปลี่ยนฟิวส์ใหม่
	แรงดันไฟฟ้าไม่ถูกต้อง	ตรวจสอบแรงดันไฟฟ้า แรงดันไฟฟ้าต้องสอดคล้องกับข้อมูลจำเพาะบนแผ่นป้ายพิกัดรุ่น
ฟิวส์ขาด	อุปกรณ์ป้องกันมอเตอร์ถูกเรียกใช้งาน	ปล่อยให้เย็นลงประมาณ 15 นาที
	ขนาดของฟิวส์ไม่ถูกต้อง	เปลี่ยนที่วงจรไฟฟ้า ใส่ฟิวส์ที่มีขนาดสูงกว่าที่ตรงกับขนาดแอมป์ของเครื่องฉีดน้ำแรงดันสูง
มอเตอร์สตาร์ทแต่ไม่มีแรงดัน	หัวฉีดบางส่วนอุดตัน	การทำความสะอาดหัวฉีด
มอเตอร์ "มีเสียง" แต่ไม่สตาร์ท	การจ่ายไฟฟ้าไม่เพียงพอ	ตรวจสอบว่าแรงดันของสายไฟฟ้าจากแหล่งจ่ายกระแสไฟฟ้าตรงกับที่ระบุบนแผ่นป้ายพิกัดหรือไม่
	แรงดันไฟฟ้าต่ำเกินไปเนื่องจากใช้สายไฟต่อฟ่วง	ตรวจสอบลักษณะเฉพาะของสายไฟต่อฟ่วง
	ไม่ได้ใช้เครื่องเป็นเวลานาน	ติดต่อศูนย์บริการ บ็อกซ์ของท่าน
	มีปัญหาที่ระบบหยุดทำงานอัตโนมัติ	ติดต่อศูนย์บริการ บ็อกซ์ของท่าน

## 42 | ภาษาไทย

ปัญหา	สาเหตุที่เป็นไปได้	มาตรการแก้ไข
แรงดันเดินเป็นจังหวะ	อากาศในสายยางส่งน้ำ/บีม	ปล่อยเครื่องฉีดน้ำแรงดันสูงวิ่งโดยเปิดปืนฉีดและตั้งหัวฉีดที่แรงดันต่ำจนได้แรงดันทำงานที่สม่ำเสมอ
	การจ่ายน้ำไม่เพียงพอ	ตรวจสอบว่าการจ่ายน้ำสอดคล้องกับข้อมูลจำเพาะหรือไม่ สายยางส่งน้ำที่เล็กที่สุดที่สามารถใช้ได้คือ 1/2" หรือเส้นผ่าศูนย์กลาง 13 มม.
	ตัวกรองน้ำอุดตัน	ทำความสะอาดตัวกรองน้ำ
	สายยางส่งน้ำถูกบีบอัด	ทำสายยางส่งน้ำที่ขดงอให้ตรง
	สายยางแรงดันสูงยาวเกินไป	ถอดสายยางพ่วงต่อแรงดันสูงออก ลองอีกครั้ง (สายยางพ่วงต่อสูงสุด 7 ม.)
แรงดันสม่ำเสมอแต่ต่ำเกินไป	หัวฉีดเสื่อมสภาพ	เปลี่ยนหัวฉีดใหม่
หมายเหตุ: อุปกรณ์ประกอบบางตัวจะทำให้เกิดแรงดันต่ำ	วาล์วสตาร์ท/หยุด เลือมสภาพ	เหนียวไป 5 ครั้งติดต่อกันอย่างรวดเร็ว
มอเตอร์ทำงานแต่มีแรงดันจำกัดหรือไม่มีแรงดันทำงาน	ไม่มีการจ่ายน้ำ	เชื่อมต่อการจ่ายน้ำ
	ตัวกรองน้ำอุดตัน	การทำความสะอาดตัวกรองน้ำ
	หัวฉีดอุดตัน	ทำความสะอาดหัวฉีด
เครื่องฉีดน้ำแรงดันสูงติดขึ้นเองอย่างผิดปกติ	บีมเป็นฉีดรั่ว	ติดต่อศูนย์บริการ บ็อบ ของท่าน
	น้ำรั่วจากเครื่อง	บีมรั่ว
ไม่มีน้ำยาทำความสะอาดดูดเข้ามา	ตั้งหัวฉีดปรับได้ที่แรงดันสูง	ตั้งหัวฉีดที่แรงดันต่ำ
	น้ำยาทำความสะอาดหนืดเกินไป	เจือจางด้วยน้ำ
	สายยางแรงดันสูงถูกต่อขยาย	ติดตั้งสายยางของแท้
	สิ่งตกค้างหรือการตีบตันในวงจรน้ำยาทำความสะอาด	ล้างออกด้วยน้ำสะอาดและขจัด
	ความสะอาด	การตีบตันใดๆ หากยังมีปัญหาอยู่ ให้ติดต่อศูนย์บริการ บ็อบ ของท่าน

## การระบายน้ำออกจากเครื่องหลังการใช้งาน (ดูภาพประกอบ L)

ปลดสายยางออกจากก๊อกน้ำ

ปลดก้านฉีดออกจากปืนฉีด

เล็งปืนฉีดลงด้านล่างและเปิดสวิตช์เครื่องเพื่อทำงาน กดไกปืนและระบายน้ำทั้งหมดออกจากระบบ

**ข้อควรระวัง:** อย่าเปิดเครื่องวิ่งนานกว่า 25 วินาที

เก็บรักษาเครื่องฉีดน้ำแรงดันสูงไว้ในที่แห้ง

**ข้อควรระวัง:** ความเสียหายจากความเย็นและการหดขยาย จะไม่ได้รับการคุ้มครองจากการรับประกัน น้ำที่เหลืออยู่ในเครื่องจะกลายเป็นน้ำแข็งที่อุณหภูมิต่ำกว่า 0° C และจะทำให้บีมเสียหาย ในเขตสภาพภูมิอากาศที่อุณหภูมิสามารถลดลงถึง 4° C หรือต่ำกว่า ต้องระบายน้ำออกจากเครื่องหลังการใช้งานครั้งสุดท้ายก่อนนำไปเก็บรักษาในช่วงฤดูหนาว

## การบำรุงรักษาและการบริการ

### การบำรุงรักษา

▶ **หยุดเครื่อง ดึงปลั๊กไฟ** ออกจากเต้าเสียบ และปลดการเชื่อมต่อ

**หมายเหตุ:** เพื่อให้เครื่องมีอายุใช้งานยืนยาวและทำงานอย่างน่าเชื่อถือ ให้ทำการบำรุงรักษาต่อไปอย่างสม่ำเสมอ

ตรวจสอบหาข้อบกพร่องที่เห็นได้ชัด เช่น การยึดที่หลุดหลวม และส่วนประกอบที่ชำรุดหรือเสื่อมสภาพ

ตรวจสอบว่าฝาครอบและอุปกรณ์ป้องกันไม่เสียหายและติดตั้งอย่างถูกต้องแล้ว ทำการบำรุงรักษาหรือซ่อมแซมที่จำเป็นก่อนใช้งาน

เราขอแนะนำให้ส่งผลิตภัณฑ์ไปบำรุงรักษาหลังทุกๆ 200 (GHP 5-55, GHP 5-65, GHP 5-65 X, GHP 500 X)/300 (GHP 5-75, GHP 5-75 X) ชั่วโมงทำงานที่ศูนย์บริการ บ็อบ ที่ได้รับมอบหมาย

ทำความสะอาดตัวกรองน้ำเป็นประจำสัปดาห์ละครั้ง การทำความสะอาดด้วยน้ำส้มสายชูช่วยให้เอาตะกอนออกได้เร็วขึ้น ให้แช่น้ำส้มสายชูนาน 30 นาที (ดูภาพประกอบ M-N)

ทำความสะอาดหัวฉีด

เคลือบจาระบีที่โอริง (ดูภาพประกอบ O)

## การบริการหลังการขายและคำแนะนำการใช้งาน

[www.bosch-professional.com](http://www.bosch-professional.com)

เมื่อต้องการสอบถามและสั่งซื้ออะไหล่ กรุณาแจ้งหมายเลขสินค้าหลักบนแผ่นป้ายรุ่นของเครื่องทุกครั้ง

### ไทย

บริษัท โรเบิร์ต บ็ช จำกัด  
ชั้น 11 ดิกลีเบอร์ตี สแควร์  
287 ถนนสีลม บางรัก  
กรุงเทพฯ 10500  
โทรศัพท์ 02 6393111  
โทรสาร 02 2384783  
บริษัท โรเบิร์ต บ็ช จำกัด ตู้ ปณ. 2054  
กรุงเทพฯ 10501 ประเทศไทย  
[www.bosch.co.th](http://www.bosch.co.th)

ศูนย์บริการซ่อมและฝึกอบรม บ็ช  
อาคาร ลาซาลทาวเวอร์ ชั้น G ห้องเลขที่ 2  
บ้านเลขที่ 10/11 หมู่ 16  
ถนนศรีนครินทร์  
ตำบลบางแก้ว อำเภอบางพลี  
จังหวัดสมุทรปราการ 10540  
ประเทศไทย  
โทรศัพท์ 02 7587555  
โทรสาร 02 7587525

## การปกป้องสิ่งแวดล้อม

อย่าเทสารเคมีที่ก่อมลพิษต่อสิ่งแวดล้อมลงในพื้นดิน น้ำบาดาลหรือท่อ แม่น้ำลำธาร ฯลฯ

สำหรับการใช้สารทำความสะอาด ให้ปฏิบัติตามคำแนะนำบนบรรจุภัณฑ์และใช้ความเข้มข้นที่กำหนดอย่างถูกต้อง

สำหรับการทำความสะอาดยานยนต์ ให้ปฏิบัติตามระเบียบข้อบังคับของท้องถิ่น: อย่าปล่อยให้ น้ำมันที่ปนออกมาไหลลงสู่บ่อบาดาล นำวัสดุที่กลับมาใช้ใหม่แทนการกำจัดของเสีย

## การกำจัดขยะ

เครื่องฉีดน้ำแรงดันสูง อุปกรณ์ประกอบ และที่บ่อ ต้องนำไปแยกประเภทวัสดุเพื่อนำกลับมาใช้ใหม่โดยไม่ทำลายสภาพแวดล้อม



อย่าทิ้งเครื่องฉีดน้ำแรงดันสูงลงในถังขยะบ้าน!

## สำหรับประเทศสมาชิกประชาคมยุโรปเท่านั้น:

ตามกฎหมายยุโรป 2012/19/EU สำหรับของเสียประเภทเครื่องไฟฟ้าและอิเล็กทรอนิกส์ และตามกฎหมายของประเทศที่นำกฎระเบียบยุโรปมาใช้ ต้องแยกเก็บรวบรวมเครื่องไฟฟ้าและอิเล็กทรอนิกส์ที่ไม่สามารถใช้งานได้ และนำไปกำจัดด้วยวิธีการที่เป็นมิตรต่อสภาพแวดล้อม

ขอสงวนสิทธิ์ในการเปลี่ยนแปลงโดยไม่ต้องแจ้งล่วงหน้า

## Bahasa Indonesia

### Petunjuk-Petunjuk untuk Keselamatan Kerja Simbol-simbol pada alat



**Bacalah semua petunjuk-petunjuk untuk keselamatan kerja dan petunjuk-petunjuk**

**untuk penggunaan.** Kesalahan dalam menjalankan petunjuk-petunjuk untuk keselamatan kerja dan petunjuk-petunjuk untuk penggunaan dapat mengakibatkan kontak listrik, kebakaran dan/atau luka-luka yang berat.



Petunjuk umum adanya bahaya.



Janganlah sekali-kali mengarahkan semprotan air pada orang,

hewan, alat atau komponen-komponen listrik.

Perhatian: Semprotan bertekanan tinggi bisa membahayakan, jika disalahgunakan.



**Sesuai dengan peraturan-peraturan yang berlaku, alat tidak boleh disambungkan pada saluran air minum tanpa**

**alat pemisah. Gunakanlah alat pemisah menurut peraturan IEC 61770 tipe BA.**

**Air yang mengalir melalui alat pemisah bukan air minum lagi. Pada penghisapan otomatis, gunakanlah set penghisapan otomatis dengan panjang 3 m (F 016 800 335).**

**Kemampuan pengguna alat dan sarana pelindung badan**

- ▶ Alat ini dapat digunakan oleh orang-orang yang kurang mampu secara fisik, sensoris atau mental atau kurang pengalaman dan tidak mengenal alat, jika mereka diawasi oleh orang lain dan telah mendapat penjelasan terkait pengoperasian yang aman dan mengerti tentang bahaya yang mungkin ada.
- ▶ Alat ini tidak boleh dioperasikan oleh anak-anak atau muda-mudi. Awasilah anak-anak dan perhatikanlah, supaya mereka tidak menggunakan alat sebagai mainan.
- ▶ Alat ini hanya boleh dioperasikan oleh orang-orang yang telah mendapat penjelasan terkait cara penggunaan dan pengendaliannya atau dapat membuktikan, bahwa mereka dapat mengoperasikan alat.



Pakailah sarana pelindung badan (PPE/Personal Protective Equipment), mis. kacamata pelindung, masker debu dsb. sebagai pelindung terhadap air, partikel dan/atau aerosol yang dipantulkan dari benda-benda.

Janganlah menghirup aerosol jika air dihisap dari sumber air ekstern. Air mungkin mengandung bibit penyakit.

- ▶ Janganlah menggunakan penyemprot tekanan tinggi di dekat orang lain, kecuali jika mereka juga memakai sarana pelindung badan.

**Sambungan listrik**

- ▶ Tegangan jaringan listrik harus sesuai dengan tegangan yang tercantum pada label tipe alat.
- ▶ Tegangan listrik untuk mengoperasikan adalah 230 V AC (di negara-negara luar Eropa bisa jadi 220 V atau 240 V).
- ▶ Alat ini dengan perlindungan keamanan kelas I hanya boleh disambungkan pada kontak yang mempunyai hubungan arde yang menurut peraturan.
- ▶ Pengadaan tegangan listrik harus disambungkan oleh seorang ahli listrik sesuai dengan peraturan IEC 60364-1.
- ▶ Kami anjurkan supaya alat ini disambungkan pada stopkontak yang diamankan dengan sakelar pengaman terhadap arus penyimpangan FI (RCD) dengan kepekaan 30 mA.

**Syarat-syarat untuk kabel sambungan dan steker**

- ▶ Kabel sambungan harus dilengkapi dengan penghantar kontak badan. Steker dan kopling dari kabel sambungan harus kedap air, dilindungi terhadap air semprotan dan cocok untuk penggunaan di luar

gedung. Jika Anda ragu-ragu, mintakan penjelasan dari orang ahli listrik yang berpengalaman atau Service Center Bosch yang terdekat.

- ▶ Penampang lintang berikut yang dibutuhkan: sampai panjang maks. 20 m 2,5 mm<sup>2</sup>, sampai panjang maks. 50 m 4,0 mm<sup>2</sup>.
- ▶ Jika steker pada kabel listrik tidak cocok pada stopkontak, steker harus dipotong oleh Service Center yang resmi dan digantikan dengan steker yang cocok. Jika steker asli dilengkapi dengan sekering, steker pengganti juga harus mempunyai nilai sekering yang sama dengan steker asli. Steker yang dipotong harus dibuang dengan seksama, untuk menghindari terjadinya kontak listrik dan sama sekali tidak boleh disambungkan pada steker.
- ▶ Hanya untuk alat-alat yang dijual di Britania Raya: Alat dilengkapi dengan steker dengan sekering terpadu menurut peraturan BS1363/A (pemeriksaan ASTA menurut BS1362).
- ▶ Cabut steker dari stopkontak, jika Anda tidak dapat mengawasi alat, juga untuk waktu yang singkat.
- ▶ Janganlah sekali-kali memegang steker dan stopkontak dengan tangan yang basah.
- ▶ Janganlah mencabut steker selama Anda mengoperasikan alat.
- ▶ Sambungan antara kabel pengadaan listrik dan kabel sambungan harus selalu kering dan tidak boleh diletakkan pada tanah atau lantai (jarak 60 cm).

- ▶ Janganlah menggunakan alat jika kabel listrik atau komponen-komponen yang penting, seperti misalnya slang tekanan tinggi, pistol penyemprotan atau sarana-sarana pelindung rusak.
- ▶ Janganlah melindas, menghimpit atau menarik kabel listrik atau kabel sambungan, karena kabel-kabel dapat menjadi rusak oleh karenanya. Lindungilah kabel terhadap suhu panas, minyak dan tepian yang tajam.

### Sambungan air

- ▶ Taatilah peraturan dari perusahaan penyedia air.
- ▶ Alat ini mutlak harus disambungkan dengan pentil arus balik pada saluran air minum. Air yang mengalir melalui pentil arus balik dianggap tidak dapat diminum.

### Selang tekanan tinggi

- ▶ Slang-slang tekanan tinggi, pesawat dalam dan kopling-kopling sangat penting untuk keselamatan kerja dengan alat. Gunakanlah hanya slang-slang, pesawat dalam dan kopling-kopling yang dianjurkan oleh produsen alat.
- ▶ Selang tekanan tinggi yang rusak bisa pecah dan harus segera digantikan. Janganlah sekali-kali menarik selang tekanan tinggi di atas pinggir jalan yang tajam. Janganlah menarik selang tekanan tinggi yang terbelit.

### Penggunaan deterjen

- ▶ Gunakanlah hanya deterjen yang dianjurkan oleh produsen alat dan taatilah petunjuk-petunjuk untuk

## 46 | Bahasa Indonesia

penggunaan, pembuangan dan keselamatan kerja dari produsennya.

- ▶ Kami anjurkan supaya deterjen tidak digunakan tanpa diencerkan. Penggunaan deterjen aman karena tidak mengandung zat asam, larutan alkali atau bahan-bahan yang tidak ramah lingkungan. Kami anjurkan supaya deterjen disimpan di luar jangkauan anak-anak. Jika mata terkena pada deterjen, basuhlah mata segera dengan air, jika deterjen tertelan, hubungi segera dokter.
- ▶ Cairan yang mengandung pelarut, zat asam yang tidak diencerkan, aseton atau cairan pelarut termasuk bensin, tiner dan minyak solar tidak boleh dihisap, karena kabut penyemprotannya sangat mudah terbakar, dapat meledak dan beracun.

### Harus diperhatikan sebelum penggunaan

- ▶ Orang yang mengoperasikan alat harus menggunakan alat sesuai dengan penjelasan dalam manual terkait penggunaannya. Keberadaan lokal harus diperhatikan. Selama bekerja dengan alat, penting sekali untuk memperhatikan orang lain, terutama anak-anak.
- ▶ Alat dengan aksesorinya harus diperiksa apakah keberadaannya memenuhi peraturan dan dapat digunakan secara aman, sebelum pengoperasiannya. Jika keberadaannya tidak mulus, alat tidak boleh dioperasikan.

- ▶ Perhatikanlah bahwa alat penyemprot tekanan tinggi berada tegak lurus atau mendatar pada alas yang datar.
- ▶ Semua saluran listrik di bidang kerja harus dilindungi terhadap semprotan air.



Semprotan air yang keluar dari spuyer mengakibatkan bantingan keras dari pistol penyemprotan. Oleh karena itu peganglah pistol penyemprotan dengan kedua belah tangan. .



Janganlah mengarahkan semprotan air pada alat penyemprot tekanan tinggi ini.



Janganlah mengarahkan semprotan air pada diri sendiri atau orang lain untuk membersihkan pakaian atau sepatu.

- ▶ Pelatuk dari pistol penyemprotan tidak boleh dijepit pada posisi „ON“ untuk waktu singkat atau seterusnya.
- ▶ Bagian-bagian dari logam dapat menjadi panas jika alat dioperasikan untuk waktu yang lama. Jika perlu, pakailah sarung tangan pelindung.
- ▶ Janganlah mengoperasikan penyemprot tekanan tinggi selama angin ribut atau hujan deras, terutama jika ada bahaya terjadinya sambaran petir.
- ▶ Jika alat digunakan di tempat yang berbahaya (misalnya pompa bensin), peraturan-peraturan terkait harus ditaati. Alat tidak boleh dioperasikan di ruangan yang terancam bahaya ledakan.

- ▶ Janganlah mengerjakan permukaan yang mengandung bahan-bahan yang mengancam kesehatan (mis. asbes).



Untuk menghindari terjadinya kerusakan oleh semprotan tekanan tinggi, ban kendaraan/pentil hanya boleh dibersihkan dengan jarak minimal 30 cm. Gejala dini untuk hal ini adalah perubahan warna dari ban. Ban kendaraan/pentil yang rusak sangat membahayakan.

### Harus diperhatikan sebelum melakukan perawatan

- ▶ Sebelum membersihkan atau merawat alat, matikan alat dan cabut steker dari stopkontak.
- ▶ Reparasi hanya boleh dilakukan oleh bengkel Service Center Bosch yang resmi.
- ▶ Hanya aksesori dan suku cadang yang diizinkan oleh Bosch yang boleh digunakan. Aksesori asli dan suku cadang asli menjamin pengoperasian tanpa stiring.

### Simbol-simbol dalam petunjuk

Simbol-simbol berikut penting pada waktu membaca dan untuk mengerti petunjuk-petunjuk untuk penggunaan. Lihat dan ingati simbol-simbol dan artinya. Penafsiran yang betul dari simbol-simbol sangat membantu Anda untuk menggunakan perkakas listrik dengan jitu dan sesuai dengan petunjuk untuk keselamatan kerja.

Simbol	Arti
	Arah gerakan
	Arah reaksi
	Berat

Simbol	Arti
	hidup
	mati
Lo	Tekanan rendah
Hi	Tekanan tinggi
	Aksesori

### Penggunaan alat

Alat ini cocok untuk penggunaan secara profesional untuk membersihkan bidang di sekitar rumah dan obyek, untuk membersihkan perkakas, kendaraan dan kapal, jika digunakan aksesoris yang cocok, misalnya deterjen yang diizinkan oleh Bosch.

Penjelasan terkait penggunaan alat berlaku untuk suhu keliling antara 0 °C dan 50 °C.

### Bagian-bagian pada gambar

Nomor-nomor dari bagian-bagian perkakas pada gambar sesuai dengan gambar perkakas pada halaman-halaman bergambar.

- 1 Pelatuk
- 2 Penghidar penghidupan pelatuk
- 3 Spuyer
- 4 Penyambungan spuyer bergagang panjang
- 5 Spuyer bergagang panjang dari baja mulia
- 6 Spuyer
- 7 Sambungan selang tekanan tinggi (pistol penyemprotan)
- 8 Pegangan
- 9 Tempat tambahan untuk menyimpan (GHP 5-55/GHP 5-65/GHP 5-75)
- 10 Pemegang spuyer bergagang panjang di atas
- 11 Sakelar listrik
- 12 Pemegang spuyer bergagang panjang di bawah
- 13 Stud sambungan untuk selang tekanan tinggi (GHP 5-55/GHP 5-65/GHP 5-75)
- 14 Sambungan air
- 15 Pegangan tambahan untuk mengangkat
- 16 Roda-roda untuk transpor
- 17 Pedal
- 18 Sekrup untuk menyetel takaran deterjen
- 19 Selang penghisap deterjen
- 20 Kaki dari karet
- 21 Tempat untuk menyimpan
- 22 Pegangan belakang untuk mengangkat
- 23 Cantelan untuk kabel
- 24 Engkol gulungan selang (GHP 500 X/GHP 5-65 X/GHP 5-75 X)

**48 | Bahasa Indonesia**

- 25** Gulungan selang  
(GHP 500 X/GHP 5-65 X/GHP 5-75 X)
- 26** Penyetelan tekanan  
(GHP 5-75/GHP 5-75 X)
- 27** Manometer  
(GHP 5-75 X)

- 28** Selang tekanan tinggi  
(GHP 5-55/GHP 5-65/GHP 5-75)

**Aksesori yang ada pada gambar atau yang dijelaskan, tidak termasuk pasokan standar dari perkakas listrik. Semua aksesori yang ada bisa Anda lihat dalam program aksesori Bosch.**

**Data teknis**

Penyemprot tekanan tinggi		GHP 5-55	GHP 500X	GHP 5-65	GHP 5-65X	GHP 5-75	GHP 5-75X
Nomor model	3 600 ...	J10 4..	J10 9..	J10 5..	J10 6..	J10 7..	J10 8..
Masukan nominal	kW	2,2	2,2	2,4	2,4	2,6	2,6
Suhu air masuk maks.	°C	50	50	50	50	50	50
Aurs lintang nominal	l/h	500	500	485	485	560	560
Tekanan nominal	MPa	11,5	11,5	13,0	13,0	14,0	14,0
Tekanan kerja maks.	MPa	13,0	13,0	16,0	16,0	18,5	18,5
Arus lintang	l/h	520	520	520	520	570	570
Banyaknya air masuk min.	MPa	1	1	1	1	1	1
Tenaga bantingan spuyer bergagang panjang pada tekanan maks.	N	19,71	19,71	20,46	20,46	24,37	24,37
Isolasi motor		Kelas F	Kelas F	Kelas F	Kelas F	Kelas F	Kelas F
Jenis perlindungan motor		IPX5	IPX5	IPX5	IPX5	IPX5	IPX5
Fungsi Autostop		●	●	●	●	●	●
Manometer		-	-	-	-	-	●
Setelan tekanan		-	-	-	-	●	●
Gulungan selang		-	●	-	●	-	●
Impedansi jaringan	Ω	-	-	0,32	0,32	0,32	0,32
Tekanan bunyi	dB(A)	78	78	78	78	77	77
Ketidak tepatan	dB(A)	= 2,5	= 2,5	= 2,5	= 2,5	= 2,3	= 2,3
Nilai tenaga bunyi	dB(A)	92	92	92	92	91	91
Ketidak tepatan	dB(A)	= 2,5	= 2,5	= 2,5	= 2,5	= 2,3	= 2,3
Nilai jumlah getaran	m/s <sup>2</sup>	= 1,841	= 1,841	= 1,841	= 1,841	= 1,841	= 1,841
Ketidak tepatan	m/s <sup>2</sup>	= 1,5	= 1,5	= 1,5	= 1,5	= 1,5	= 1,5
Nilai tenaga bunyi	dB(A)	95	95	95	95	94	94
Berat sesuai dengan EPTA-Procedure 01:2014	kg	22,0	24,8	23,5	25,0	26,7	28,2
Klasifikasi keamanan		⊕ / I	⊕ / I	⊕ / I	⊕ / I	⊕ / I	⊕ / I

Nomor serial lihat nomor model (label tipe) pada penyemprot tekanan tinggi

Pada saat perkakas listrik dihidupkan, bisa terjadi penurunan tegangan dalam jaringan listrik untuk waktu yang pendek. Jika jaringan tidak memenuhi syarat, bisa terjadi gangguan terhadap alat-alat listrik lainnya. Jika impedansi jaringan di bawah 0,32 Ohm, tidak akan terjadi gangguan.

**Sambungan air (lihat gambar F)**

**Petunjuk:** Tekanan nominal hanya bisa dicapai, jika di dalam sambungan air masuk ada cukup air. Pengadaan air masuk cukup, jika satu ember 10 liter diisi penuh dalam waktu kurang dari satu menit.

**PERINGATAN:** Penggunaan untuk waktu yang lama tanpa air bisa merusakkan pompa.

**PETUNJUK:** Untuk pengadaan air yang memadai, gunakanlah selang yang sependek mungkin dengan diameter min. 13 mm (1/2"). Pada kepanjangan selang lebih dari 10 m dibutuhkan diameter 19 mm (3/4"). Putarkan keran air sampai terbuka sampai batas. Semua sambungan tidak boleh bocor. Bersihkanlah filter secara berkala (lihat bab Merawat).

- Gunakanlah selalu filter air ekstern (termasuk alat yang dipasok). Filter air tidak boleh bocor.



- Jika perlu, pasang adapter selang (tidak termasuk perkakas listrik yang dipasok).
- Sambungkan satu selang air yang cocok, sebaiknya dengan diameter 13 mm (1/2") atau 19 mm (3/4").
- Putarkan keran air sampai terbuka sampai batas dan periksalah semua sambungan apakah ada kebocoran.

### Sambungan listrik (lihat gambar G)

**PETUNJUK:** Kapasitas nominal hanya tercapai, jika penyemprot tekanan tinggi disambungkan pada sumber listrik yang stabil. Kabel sambungan yang panjang dengan penampang lintang yang kecil, gulungan kabel yang terlilit, beberapa alat yang dioperasikan pada waktu yang sama pada satu sambungan atau tegangan yang naik turun di luar ambang batas yang diizinkan, bisa menghindarkan motor mulai jalan atau daya semprotan terlalu rendah.

### Mengeluarkan udara dari penyemprot tekanan tinggi dan selang-selang (lihat gambar G)

**PETUNJUK:** Keluarkan udara dari penyemprot tekanan tinggi setelah setiap kali menyambungkan pada pengadaan air dengan cara sebagai berikut:

Setelkan sakelar listrik pada MATI/OFF (0).

Arahkan pistol penyemprotan ke bawah dan hidupkan penyemprot tekanan tinggi.

- Segera setelah pelatuk ditekan, terdengar bahwa udara dan air keluar dari pistol penyemprotan. Tahan tekanan pada pelatuk, sampai air mengalir keluar secara rata. Lepaskan pelatuk.
- Pasangkan spuyer bergagang panjang.
- Hidupkan penyemprot tekanan tinggi dengan sakelar.
- Tekan penguncian penghidupan dan setelah itu tekan pelatuk pada pistol penyemprotan.

### Sambungan pada pengadaan air alternatif (lihat gambar I)

Penyemprot tekanan tinggi dapat menghisap air dari wadah air atau sumber air alami. Dalam hal ini **PENTING**, bahwa hanya air yang bersih yang dihisap dan filter air intern dan satu filter ekstern yang bersih sudah dipasangkan (lihat bab Merawat).

### Tangki/wadah terbuka dan sumber air alami (lihat gambar I)

Gunakanlah set aksesoris penghisapan otomatis yang terdiri dari:

- saringan penghisapan dengan pentil arus balik
- slang penghisapan yang diperkuat sepanjang 3 m
- kopleng serba guna ke penyemprot tekanan tinggi

Dengan aksesoris ini penyemprot tekanan tinggi dapat menghisap air 0,5 m di atas permukaan air. Hal ini bisa jadi lamanya kira-kira 25 – 50 detik.



Celupkan slang 3 m masuk ke dalam air sama sekali, untuk mendesak udara ke luar. Sambungkan slang penghisapan 3 m pada penyemprot tekanan tinggi dan perhatikan supaya saringan penghisapan tetap berada di dalam air.

Biarkan penyemprot tekanan tinggi jalan dengan pistol penyemprotan yang telah dicopotkan, sampai air mengalir keluar secara rata dari selang tekanan tinggi. Jika setelah 25 – 50 detik masih belum ada air yang mengalir keluar, matikan alat dan periksalah semua sambungan. Jika air mengalir, matikan penyemprot tekanan tinggi dan untuk pengoperasiannya, pasang pistol penyemprotan dan spuyer bergagang panjang.

Penting sekali bahwa slang dan kopleng-kopleng bermutu baik, disambungkan dengan ketat dan semua ring paking tidak rusak dan kedudukannya rata. Sambungan-sambungan yang bocor bisa menghalangi penghisapan.

### Wadah air dengan keran air ke luar (lihat gambar I)

Jika penyemprot tekanan tinggi akan disambungkan pada tangki dengan keran air ke luar yang cocok, pertama satu slang air (tidak termasuk pasokan) harus disambungkan pada keran air. Buka keran, untuk mendesak ke luar semua udara yang berada di dalam slang, kemudian sambungkannya pada penyemprot tekanan tinggi.

### Penggunaan deterjen (lihat gambar J)

Gunakanlah hanya deterjen yang dianjurkan oleh produsen alat dan taatilah petunjuk-petunjuk untuk penggunaan, pembuangan dan keselamatan kerja dari produsennya.

Tarikkan selang penghisap di bagian belakang dari alat keluar dan masukannya ke dalam satu botol dengan deterjen (tidak termasuk alat yang dipasok).

Tarikkan spuyer keluar (= tekanan rendah).

Tekan pelatuk. Setelah waktu singkat keluarlah busa dari spuyer.

Setelkan banyaknya deterjen dengan sekrup untuk menyatel takaran pada bagian belakang dari penyemprot tekanan tinggi.

Putarkan spuyer untuk menyatel semprotan.

## Mengatasi storing

Gejala	Sebab yang mungkin	Tindakan untuk mengatasi
Motor tidak menstart	Steker tidak disambungkan	Steker disambungkan
	Stopkontak rusak	Gunakan stopkontak lain
	Sekering putus	Gantikan sekering
	Kabel sambungan rusak	Coba tanpa kabel sambungan
	Perlindungan motor aktif	Motor didinginkan 15 men.
	Beku	Pompa, slang air atau aksesoris dibiarkan menjadi hangat
Motor berhenti	Sekering putus	Gantikan sekering
	Tegangan jaringan tidak cocok	Periksa tegangan jaringan, harus sesuai dengan data pada label tipe alat.
	Perlindungan motor aktif	Motor didinginkan 15 men.
Sekering putus	Sekering terlalu kecil ampere nominalnya	Sambungkan pada jaringan listrik dengan ampere yang cocok untuk penyemprot tekanan tinggi
Motor menstart, tetapi tidak ada tekanan	Spuyer agak tersumbat	Membersihkan spuyer
Ada bunyi motor tetapi tidak berfungsi	Tegangan jaringan tidak memadai	Periksalah apakah tegangan jaringan listrik sesuai dengan data pada label tipe alat.
	Tegangan terlalu rendah karena digunakan kabel sambungan	Periksalah apakah kabel sambungan cocok
	Alat tidak dipakai untuk waktu yang lama	Hubungi Service Center Bosch yang resmi
	Masalah dengan fungsi Autostop	Hubungi Service Center Bosch yang resmi
Tekanan berdenyut	Ada udara dalam slang air atau pompa	Penyemprot tekanan tinggi dijalankan dengan pistol penyemprotan terbuka, keran air terbuka dan spuyer pada tekanan rendah sampai tercapai tekanan kerja yang rata.
	Pengadaan air tidak cocok	Periksalah apakah sambungan air sesuai dengan data dalam bab data teknis. Slang air terkecil yang boleh dipakai adalah 1/2" atau Ø 13 mm
	Filter air tersumbat	Bersihkan filter air
	Slang air terhimpit atau tertekuk	Luruskan slang air
	Slang tekanan tinggi terlalu panjang	Lepaskan slang sambungan dari slang tekanan tinggi, panjang slang air maks. 7 m
	Tekanan rata tetapi terlalu rendah	Spuyer usang
Petunjuk: Aksesoris tertentu mengakibatkan tekanan yang rendah	Pentil start/stop usang	Pelatuk digerakkan 5 kali berturut-turut secara cepat
	Motor menstart, tetapi tekanan terbatas atau tidak ada tekanan kerja	Air tidak disambungkan Filter tersumbat Spuyer tersumbat
Penyemprot tekanan tinggi menstart sendiri	Pompa atau pistol penyemprotan bocor	Hubungi Service Center Bosch yang resmi
Alat bocor	Pompa bocor	Kebocoran air sedikit tidak apa-apa; jika ada kebocoran yang besar, hubungi Service Center Bosch

Gejala	Sebab yang mungkin	Tindakan untuk mengatasi
Deterjen tidak dihisap	Spuyer yang bisa disetel berada pada penyetelan tekanan tinggi	Setelkan spuyer pada tekanan rendah (tarik keluar).
	Deterjen terlalu kental	Encerkkan dengan air
	Slang tekanan tinggi diperpanjang	Sambungkan slang asli
	Ada endapan atau penyempitan dalam peredaran deterjen	Bilas dengan air bersih dan hilangkan penyempitan. Jika masalah tidak teratasi, hubungi Service Center Bosch.

## Mengosongkan penyemprot tekanan tinggi setelah penggunaan (lihat gambar L)

Lepaskan selang dari keran air.

Arahkan pistol penyemprotan ke bawah dan hidupkan penyemprot tekanan tinggi.

Tekan pelatuk dan kosongkan seluruh sistem.

Penyemprot tekanan tinggi tidak boleh dijalankan untuk mengeringkan selama lebih dari 25 detik.

**PERINGATAN:** Hochdruckreiniger nicht länger als 25 Sekunden trocken laufen lassen.

Simpanlah penyemprot tekanan tinggi di tempat yang kering.

**PERINGATAN:** Kerusakan yang disebabkan oleh suhu di bawah titik beku tidak termasuk garansi. Air yang tersisa di dalam penyemprot tekanan tinggi akan membeku pada suhu di bawah 0 °C dan merusakkan pompa. Di daerah dengan suhu di bawah 4 °C penyemprot tekanan tinggi setelah penggunaan terakhir kali sebelum musim dingin mulai, harus dikosongkan.

## Rawatan dan servis

### Merawat

► **Sebelum melakukan pekerjaan pada alat, cabut steker dan putus sambungan air.**

**Petunjuk:** Lakukanlah pekerjaan rawatan berikut secara berkala, supaya alat tahan lama dan berfungsi dengan baik.

Periksalah alat apakah ada cacat yang terlihat dengan mata, seperti sambungan yang kendur atau komponen yang aus atau rusak.

Periksalah apakah sarana-sarana penutup dan pelindung mulus dan terpasang dengan betul. Jika perlu, sebelum menggunakan alat, lakukanlah pekerjaan rawatan atau reparasi.

Kami anjurkan supaya alat secara berkala setelah penggunaan selama 200 (GHP 5-55, GHP 5-65, GHP 5-65 X, GHP 500 X) sampai 300 (GHP 5-75, GHP 5-75 X) jam dibiarkan untuk diservis oleh satu Service Center Bosch yang resmi.

Bersihkan filter secara berkala sekali seminggu. Dengan menggunakan cuka, endapan kapur dapat dibersihkan dengan cepat. Untuk melakukannya, filter direndam dalam cuka selama 30 menit. (lihat gambar-gambar M-N)

Bersihkan spuyer.

Lumasi ring-ring O. (lihat gambar O)

## Layanan pasca beli dan konseling terkait pengoperasian

[www.bosch-professional.com](http://www.bosch-professional.com)

Jika Anda hendak menanyakan sesuatu atau memesan suku cadang, sebutkan selalu nomor model yang terdiri dari 10 angka dan tercantum pada label tipe alat.

### Indonesia

PT Robert Bosch  
Palma Tower 10<sup>th</sup> Floor  
Jl. RA Kartini II-S Kaveling 6 Sek II  
Pondok Pinang, Kebayoran Lama  
Jakarta Selatan 12310  
Tel.: (021) 3005 5800  
Fax: (021) 3005 5801  
E-Mail: [boschpowertools@id.bosch.com](mailto:boschpowertools@id.bosch.com)  
[www.bosch-pt.co.id](http://www.bosch-pt.co.id)

## Melindungi lingkungan hidup

Bahan kimia yang berbahaya bagi lingkungan hidup tidak boleh mengalir ke dalam tanah, air tanah, kolam, sungai dan sebagainya.

Jika digunakan deterjen, taatilah petunjuk pada kemasan dan konsentrasi yang disebutkan dengan seksama.

Jika membersihkan kendaraan bermotor, taatilah peraturan-peraturan setempat: minyak yang tersemprot mutlak tidak boleh merembes ke dalam air tanah.

## Cara membuang

Penyemprot tekanan tinggi, aksesoris dan kemasan sebaiknya didaur ulangkan sesuai dengan upaya untuk melindungi lingkungan hidup.



Janganlah membuang penyemprot tekanan tinggi dalam sampah rumah tangga!

### Hanya untuk negara-negara UE:

Sesuai dengan peraturan Eropa 2012/19/EU terkait alat-alat elektro dan elektronika yang tidak dipakai lagi dan penerapannya dalam peraturan nasional mancanegara, alat-alat elektro dan elektronika yang rusak harus dikumpulkan secara terpisah dan didaur ulangkan sesuai dengan upaya untuk melindungi lingkungan hidup.

**Perubahan dapat terjadi tanpa pemberitahuan sebelumnya.**

## Tiếng Việt

### Các Nguyên Tắc An Toàn Các ký hiệu trên máy



#### **Đọc kỹ mọi cảnh báo an toàn và mọi hướng dẫn.**

Không tuân thủ mọi cảnh báo và hướng dẫn được liệt kê dưới đây có thể bị điện giật, gây cháy và/hoặc bị thương tật nghiêm trọng.



Cảnh báo tổng quát các nguy hiểm vì sự an toàn.



Không bao giờ được hướng trực tiếp tia nước vào người, thú vật, các thiết bị hay bộ phận điện.

Cảnh báo: Tia nước cao áp có thể gây nguy hiểm nếu bị sử dụng sai cách.



**Dựa trên các qui định về việc ứng dụng, không bao giờ được sử dụng mạng nước uống được cho thiết bị ứng dụng mà không có hệ thống tách. Sử dụng hệ thống tách phù hợp với qui chuẩn IEC 61770 Type BA.**

**Nước chảy qua hệ thống tách được xem là nước không thể uống được.**

**Đối với sự tự mỗi nước, sử dụng bộ hút đặc biệt dài 3 m (F 016 800 335).**

### Năng lực của người sử dụng và bảo hộ cá nhân

- ▶ Người có thể trạng yếu, giác quan kém hay thiếu năng trí tuệ, hoặc thiếu kinh nghiệm và hiểu biết đều có thể sử dụng máy này nếu họ được giám sát hay chỉ dẫn cách sử dụng máy một cách an toàn, và hiểu những nguy hiểm liên quan đến việc sử dụng máy.
- ▶ Trẻ em hay trẻ vị thành niên không được sử dụng thiết bị này. Phải trông chừng trẻ em để bảo đảm chúng không nghịch ngợm với thiết bị.
- ▶ Chỉ có người được cho phép sử dụng, mới được sử dụng thiết bị này. Những người này đã được hướng dẫn hay thể hiện có khả năng sử dụng thiết bị.



Mang trang bị bảo hộ cá nhân (PPE) vd. kính bảo hộ, khẩu trang v.v.. để chống nước, các mảnh vụn và/hay bụi nước bật ngược lại từ các bộ phận. Không được hít bụi nước văng ngược lại nếu nước mỗi có nguồn gốc từ bên ngoài. Nước loại đó có thể chứa các phần tử gây bệnh.

- ▶ Không sử dụng thiết bị trong phạm vi có người, ngoại trừ họ cũng có mặc quần áo bảo hộ.

### Nguồn điện cung cấp

- ▶ Điện thế ghi trong trong biển thông số phải phù hợp với điện thế nguồn.

- ▶ Điện thế hoạt động là 230 V AC, (đối với các nước ngoài châu Âu, điện thế có thể ứng dụng là 220 V hay 240 V).
- ▶ Đây là thiết bị loại I và có thể chỉ được đấu nối vào nguồn điện được tiếp đất thích hợp.
- ▶ Người thợ điện chuyên nghiệp sẽ thực hiện việc nối mắc nguồn điện cung cấp để đáp ứng với tiêu chí IEC 60364-1.
- ▶ Chúng tôi khuyến nghị thiết bị này chỉ nối vào ổ cắm có bộ ngắt mạch bảo vệ. Bộ ngắt mạch này sẽ khởi hoạt khi phát sinh dòng điện dư 30 mA.

### Các yêu cầu đối với dây nối dài và phích cắm

- ▶ Cảnh báo: Dây nối dài không thích hợp có thể gây ra nguy hiểm. Dây nối dài phải có dây tiếp đất. Dây nối dài, phích và ổ cắm phải có cấu tạo chống nước, chống nước văng vào và được thiết kế để dùng ngoài trời. Nếu không biết rõ, hãy liên hệ với người thợ điện chuyên nghiệp hay Trung Tâm Dịch Vụ Bosch gần nhất.
- ▶ Khuyến nghị sử dụng dây có đường kính như sau: chiều dài đến 20 m, đường kính dây 2.5 mm<sup>2</sup> chiều dài đến 50 m, đường kính dây 4.0 mm<sup>2</sup>.
- ▶ Nếu phích cắm của bạn không phù hợp với ổ cắm, bạn phải nhờ một đại lý dịch vụ khách hàng được ủy quyền cắt bỏ và thay vào bằng một phích cắm thích hợp khác. Trong trường hợp phích cắm có cầu chì trong, việc thay thế phải bằng một phích cắm có cầu chì có cùng trị số như phích cắm nguyên bản. Phải rút bỏ phích cắm được thay ra để tránh khả năng bị điện giật, và không bao giờ được cắm vào bất cứ ổ cắm nguồn nào khác.
- ▶ Các sản phẩm chỉ bán ở Anh: Sản phẩm của bạn phù hợp với phích cắm BS 1363/A, có cầu chì trong (ASTA chấp nhận BS 1362).
- ▶ Rút phích ra khỏi ổ cắm bất cứ khi nào máy để không, bất kể thời gian lâu mau.
- ▶ Không được dùng tay ướt chạm vào phích cắm hay ổ cắm.
- ▶ Không được rút phích cắm khi đang vận hành thiết bị.
- ▶ Sự đấu nối giữa dây cấp điện và dây nối dài phải được giữ khô và để cách mặt đất 60 cm.
- ▶ Không được sử dụng thiết bị ứng dụng nếu cấp cung cấp điện hay các bộ phận quan trọng khác vd. vòi chịu áp suất cao, cần bóp hay các thiết bị an toàn bị hư hại.
- ▶ Không được cán qua, làm giập hay kéo cáp cung cấp điện hay dây nối dài, nếu không, dây có thể bị hư hỏng. Bảo vệ cáp tránh nhiệt, dầu nhờn hay các cạnh bén.

## 54 | Tiếng Việt

**Nối nước vào**

- ▶ Hãy tuân theo các quy định của Cty cấp nước của bạn.
- ▶ Không bao giờ được sử dụng thiết bị ứng dụng với nguồn nước uống được mà không có van chặn ngược dòng. Nước chảy ngược qua van chặn ngược dòng được xem là nước không thể uống được.

**Vòi ống áp suất cao**

- ▶ Vòi chịu áp suất cao, các đầu nối vòi và khớp nối rất quan trọng cho sự an toàn của thiết bị ứng dụng. Chỉ sử dụng các vòi, đầu nối vòi và khớp nối do nhà sản xuất khuyến nghị.
- ▶ Vòi ống áp suất cao bị hư hỏng có thể vỡ bung và phải được thay ngay. Không bao giờ được kéo vòi ngang qua vật có cạnh bén. Không được kéo nếu như vòi đang bị vướng hay rối.

**Sử dụng chất tẩy rửa**

- ▶ Chỉ sử dụng chất tẩy rửa do nhà sản xuất kiến nghị và tuân theo cách ứng dụng, thải bỏ và các cảnh báo an toàn của nhà sản xuất chất tẩy rửa.
- ▶ Chúng tôi khuyến nghị rằng không sử dụng chất tẩy rửa khi chưa pha loãng. Các sản phẩm sử dụng an toàn khi chúng không chứa axit, kiềm hay các chất làm tổn hại môi trường. Chúng tôi khuyến cáo không được để các chất tẩy rửa trong tầm tay của trẻ em. Nếu chất

tẩy rửa tiếp xúc với mắt, rửa ngay với thật nhiều nước, và nếu nuốt phải, đến gặp bác sĩ ngay.

- ▶ Không bao giờ được đưa vào các loại dung môi lỏng, axit nguyên chất, aceton hay dung môi hòa tan! Điều này bao gồm xăng, dung môi pha sơn, dầu đốt lò sưởi. Các bụi sương này rất dễ cháy, nổ và độc hại.

**Quan sát trước khi sử dụng**

- ▶ Người vận hành phải sử dụng thiết bị đúng theo các qui định. Ông/bà phải xem xét đến các điều kiện của địa phương và lưu ý đến những người chung quanh, đặc biệt là trẻ em khi vận hành thiết bị.
- ▶ Trước khi sử dụng, kiểm tra thiết bị và thiết bị thao tác có trạng thái hoàn hảo và an toàn để sử dụng. Không được sử dụng thiết bị nếu như thiết bị không trong tình trạng hoàn hảo.
- ▶ Thiết bị phải được đặt thẳng đứng trên vật đỡ hay ngang trên nền đất cứng chắc.
- ▶ Tất cả các bộ phận dẫn điện trong khu vực làm việc phải được bảo vệ, ngăn không cho nước bắn vào.



Tia nước từ miệng vòi áp suất cao tạo nên lực dội lại đáng kể từ cần bóp. Vì thế, hãy giữ cần bóp và cần phun thật chặt bằng cả hai tay.



Không được hướng thẳng tia nước vào chính máy.



Không được hướng thẳng tia nước vào chính người bạn hay người khác để làm sạch quần áo hay giày dép.

- ▶ Cò của cần bóp không được đặt cố định ở vị trí mở tạm thời hay thường xuyên trong thời gian máy hoạt động.
- ▶ Các bộ phận kim loại có thể trở nên nóng sau thời gian dài sử dụng. Nếu cần, hãy mang găng bảo vệ tay.
- ▶ Tránh rửa bằng áp suất cao khi trời đang có bão hay mưa nhiều v.v.. đặc biệt là khi có nguy cơ có sấm sét.
- ▶ Các qui định phù hợp về an toàn phải được tuân theo khi sử dụng thiết bị ở những khu vực nguy hiểm (vd. trạm xăng dầu). Ở những nơi tiềm ẩn nguy cơ gây nổ cao là nơi cấm sử dụng thiết bị.
- ▶ Không được phun vào vật liệu có chứa các chất gây nguy hại đến sức khỏe của bạn (vd. amiăng).



Có thể chỉ nên rửa sạch lốp xe/van lốp xe từ một khoảng cách tối thiểu là 30 cm, nếu không, tia nước cao áp có thể làm hư hại lốp xe/van lốp xe. Sự báo hiệu đầu tiên là sự bay màu của lốp xe. Làm hư hại lốp xe/van lốp xe có thể là sự cực kỳ nguy hiểm.

## Quan sát trước khi bảo trì

- ▶ Trước tiên là tắt thiết bị và rút phích cắm ra khỏi nguồn điện khi thực hiện mọi bảo trì hay chăm sóc.
- ▶ Sự sửa chữa có thể chỉ do các Trung Tâm Dịch Vụ Bosch thực hiện.
- ▶ Chỉ sử dụng phụ kiện và phụ tùng thay thế đã được hãng Bosch chấp nhận. Phụ kiện và phụ tùng thay thế chính hãng bảo đảm cho thiết bị có thể hoạt động an toàn và không gặp bất cứ hỏng hóc nào.

## Các biểu tượng trong sách hướng dẫn

Các biểu tượng sau đây mang ý nghĩa quan trọng để suy diễn và hiểu các hướng dẫn sử dụng. Xin vui lòng lưu ý đến các biểu tượng và ý nghĩa của chúng. Sự hiểu đúng các biểu tượng sẽ giúp bạn sử dụng máy một cách tốt và an toàn hơn.

Biểu Tượng	Ý Nghĩa
	Chiều chuyển động
	Chiều phản ứng
	Trọng lượng
	Mở
	Tắt
Lo	Áp suất thấp
Hi	Áp suất cao
	Phụ kiện

## Dành sử dụng cho

Đây là sản phẩm dành cho chuyên dụng để làm sạch các khu vực chung quanh nhà và đồ vật, làm sạch dụng cụ, xe cộ và ghe thuyền nếu như sử dụng các phụ kiện thích hợp như chất tẩy rửa được Bosch chấp nhận để sử dụng cho sản phẩm này.

Việc dự định sử dụng liên quan đến hoạt động trong phạm vi có nhiệt độ chung quanh từ 0 °C đến 50 °C.

## 56 | Tiếng Việt

**Biểu trưng của sản phẩm**

Sự đánh số các đặc tính sản phẩm là để tham khảo hình minh họa trên trang hình ảnh.

- |   |  |
|---|--|
| <ol style="list-style-type: none"> <li>1 Cò cần bóp</li> <li>2 Khóa an toàn cò cần bóp</li> <li>3 Cần bóp công suất</li> <li>4 Khớp vận nối cần phun</li> <li>5 Cần phun bằng thép không gỉ</li> <li>6 Vòi ống</li> <li>7 Khớp nối vòi ống áp suất cao (cần bóp công suất)</li> <li>8 Tay Nắm</li> <li>9 Khoang chứa phụ (GHP 5-55/GHP 5-65/GHP 5-75)</li> <li>10 Nơi gá đỡ đầu cần phun</li> <li>11 Công tắc chính</li> <li>12 Nơi gá đỡ đế cần phun</li> <li>13 Nơi nối vòi ống áp suất cao (GHP 5-55/GHP 5-65/GHP 5-75)</li> <li>14 Nơi gắn đường nước vào</li> <li>15 Tay nhắc phụ</li> </ol> | <ol style="list-style-type: none"> <li>16 Bánh xe vận chuyển</li> <li>17 Bàn đạp chân</li> <li>18 Thiết bị đo chất tẩy rửa</li> <li>19 Vòi ống chất tẩy rửa</li> <li>20 Chân cao su</li> <li>21 Cất giữ</li> <li>22 Tay nhắc phía sau</li> <li>23 Móc cài dây điện</li> <li>24 Tay nắm cuộn ống (GHP 500 X/GHP 5-65 X/GHP 5-75 X)</li> <li>25 Cuộn ống (GHP 500 X/GHP 5-65 X/GHP 5-75 X)</li> <li>26 Núm điều chỉnh áp suất (GHP 5-75/GHP 5-75 X)</li> <li>27 Thiết bị đo áp suất (GHP 5-75 X)</li> <li>28 Vòi ống áp suất cao (GHP 5-55/GHP 5-65/GHP 5-75)</li> </ol> |
|---|--|

Phụ tùng được trình bày hay mô tả không phải là một phần của tiêu chuẩn hàng hóa được giao kèm theo sản phẩm. Bạn có thể tham khảo tổng thể các loại phụ tùng, phụ kiện trong chương trình phụ tùng của chúng tôi.

**Thông số kỹ thuật**

Máy phun rửa cao áp		GHP 5-55	GHP 500X	GHP 5-65	GHP 5-65X	GHP 5-75	GHP 5-75X
Mã số máy	3 600 ...	J10 4..	J10 9..	J10 5..	J10 6..	J10 7..	J10 8..
Công suất danh định	kW	2,2	2,2	2,4	2,4	2,6	2,6
Nhiệt độ cung cấp tối đa	°C	50	50	50	50	50	50
Tốc độ dòng chảy	l/h	500	500	485	485	560	560
Áp suất làm việc	MPa	11,5	11,5	13,0	13,0	14,0	14,0
Áp suất hoạt động tối đa	MPa	13,0	13,0	16,0	16,0	18,5	18,5
Tốc độ dòng chảy	l/h	520	520	520	520	570	570
Áp suất vào tối đa	MPa	1	1	1	1	1	1
Lực đẩy tại cần bóp ở áp suất tối đa	N	19,71	19,71	20,46	20,46	24,37	24,37
Động Cơ được Cách Điện		Loại F	Loại F	Loại F	Loại F	Loại F	Loại F
Bảo Vệ Động Cơ		IPX5	IPX5	IPX5	IPX5	IPX5	IPX5
Chức năng ngừng tự động		●	●	●	●	●	●
Thiết bị đo áp suất		–	–	–	–	–	●
Núm điều chỉnh áp suất		–	–	–	–	●	●
Guồng cuộn vòi ống		–	●	–	●	–	●
Trở kháng thực	Ω	–	–	0,32	0,32	0,32	0,32
Cấp độ áp lực âm thanh	dB(A)	78	78	78	78	77	77
Bất định	dB(A)	=2,5	=2,5	=2,5	=2,5	=2,3	=2,3

Chu trình khởi động làm giảm điện áp xảy ra thoáng nhanh. Sự gây nhiễu động đối với các thiết bị/máy móc khác có thể xảy ra trong trường hợp ở vào tình trạng không thuận lợi của hệ thống điện nguồn. Không có sự cố xảy ra đối với hệ thống có trở kháng dưới 0,32 ohm.



Tiếng Việt | 57

Máy phun rửa cao áp		GHP 5-55	GHP 500X	GHP 5-65	GHP 5-65X	GHP 5-75	GHP 5-75X
Cấp độ công suất âm thanh	dB(A)	92	92	92	92	91	91
Bất định	dB(A)	=2,5	=2,5	=2,5	=2,5	=2,3	=2,3
Tổng trị số độ rung	m/s <sup>2</sup>	=1,841	=1,841	=1,841	=1,841	=1,841	=1,841
Bất định	m/s <sup>2</sup>	=1,5	=1,5	=1,5	=1,5	=1,5	=1,5
Cấp độ công suất âm thanh	dB(A)	95	95	95	95	94	94
Trọng lượng theo Qui trình EPTA-Procedure 01:2014 (chuẩn EPTA 01:2014)	kg	22,0	24,8	23,5	25,0	26,7	28,2
Cấp độ bảo vệ		⊕ / I	⊕ / I	⊕ / I	⊕ / I	⊕ / I	⊕ / I

Mã seri sản xuất Xem mã seri sản xuất (biến thông số) trên máy phun rửa cao áp.

Chu trình khởi động làm giảm điện áp xảy ra thoáng nhanh. Sự gây nhiễu động đối với các thiết bị/máy móc khác có thể xảy ra trong trường hợp ở vào tình trạng không thuận lợi của hệ thống điện nguồn. Không có sự cố xảy ra đối với hệ thống có trở kháng dưới 0,32 ohm.

## Nối nước vào (xem hình F)

**Ghi Chú:** Công suất của áp suất danh định chỉ có thể đạt được nếu như lưu lượng dòng chảy được đưa vào đầy đủ. Lưu lượng dòng chảy đầy đủ nếu như một số nước 10 lít có thể đổ đầy dưới 1 phút.

**CẢNH BÁO:** Vận hành thường xuyên mà không đủ lượng nước ở đầu vào có thể làm hư bơm.

**GHI CHÚ:** Để cung cấp đủ nước, hãy sử dụng vòi ống cấp nước ngắn có đường kính nhỏ hơn 1/2" (13 mm). Vòi dài hơn 10 m phải có đường kính 3/4" (19 mm). Mở hết vòi cấp nước ra. Các điểm lắp nối phải kín. Làm sạch lọc nước định kỳ (xem chương Bảo Trì).

- Luôn luôn sử dụng lọc nước đặt ngoài (cấp theo máy). Kiểm tra lọc được lắp ráp kín chắc.
- Nếu cần, vận ống nối vòi vào (không nằm trong phạm vi được kèm theo máy khi giao hàng).
- Nối vòi nước thích hợp vào, tốt nhất là vòi có đường kính 1/2" (13 mm) hay 3/4" (19 mm).
- Mở hết vòi cấp nước và kiểm tra sự kín chắc của tất cả các khớp nối.

## Nguồn điện cung cấp (xem hình G)

**GHI CHÚ:** Công suất áp suất danh định chỉ có thể đạt nếu như máy được kết nối với nguồn điện thế ổn định. Sử dụng dây cáp dài có tiết diện đường kính nhỏ, guồng cuộn dây chưa tháo, có máy khác đang cùng sử dụng chung mạch điện hay điện áp dao động ngoài dung sai có thể tiếp cận được gây trở ngại cho việc khởi động động cơ hay gây ra công suất áp suất thấp.

## Thông đều nước cho máy tẩy rửa áp suất cao và vòi (xem hình G)

**GHI CHÚ:** Thông đều nước cho thiết bị mỗi lần vòi ống nước được nối vào vòi cấp nước theo các hướng dẫn sau đây:

Đặt công tắc chính ở vị trí OFF (0).

Tháo cần phun ra khỏi cần bóp.

- Ngay sau khi cò của cần bóp được kích hoạt, không khí và nước thoát ra rồi rít. Giữ cò cho đến khi nước thoát ra khỏi cần bóp một cách đều đặn. Thả cò ra.
- Nối cần phun vào lại.
- Mở cho máy hoạt động.
- Nhấn để nhả chốt an toàn và cho cò của cần bóp hoạt động.

## Sử dụng các nguồn nước thay thế khác (xem hình I)

Máy phun rửa cao áp này tự mỗi nước và có thể hút nước từ các bể chứa và các nguồn chứa nước tự nhiên khác. Điều **QUAN TRỌNG** là nước phải sạch và cả hai bộ lọc đầu vào và đặt bên ngoài của Bosch phải sạch, và đã được lắp vào máy (xem chương Bảo Trì).

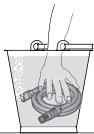
## 58 | Tiếng Việt

## Mở bồn chứa/vật chứa và nguồn nước tự nhiên (xem hình I)

Sử dụng bộ phụ kiện Tự Mỗi bao gồm:

- Bộ lọc đầu vào có van một chiều
- Ống cấp nước gia lực 3 m
- Khớp nối phổ thông vào máy phun rửa cao áp

Điều này cho phép máy phun rửa cao áp có thể hút nước đến 0.5 m bên trên mực nước trong nguồn trong khoảng 25–50 giây.



Đim 3 m ống xuống nước để tổng không khí ra. Nối ống cấp nước 3 m vào máy phun rửa cao áp. Bảo đảm bộ lọc đầu vào vẫn đang nằm chìm dưới nguồn nước.

Vận hành máy phun rửa cao áp mà không lắp cần phun cho đến khi dòng nước phun ra chảy đều xuất hiện từ vòi áp suất cao. Ngưng ngay nếu như không đạt được điều này trong vòng 25–50 giây và kiểm tra tất cả các mối lắp nối. Tắt máy và nối cần phun và miệng phun vào để vận hành.

Điều quan trọng phải bảo đảm là tất cả ống, khớp lắp nối phải có chất lượng tốt, giữ kín khí và tất cả các bộ đệm còn tốt và nằm đúng vị trí. Không thực hiện đúng như trên có thể ảnh hưởng đến hiệu quả của sự tự mỗi nước.

## Bồn Chứa Nước có lắp vòi cấp nước (xem hình I)

Khi lắp nối máy phun rửa cao áp vào bồn nước có vòi cấp nước thích hợp, trước hết nối ống cấp nước (không cấp kèm) vào vòi cấp nước của bồn chứa. Mở vòi để nước tổng không khí trong ống ra và sau đó nối vào máy phun rửa cao áp.

## Sử dụng chất tẩy rửa (xem hình J)

Chỉ sử dụng chất tẩy rửa do nhà sản xuất kiến nghị và tuân theo cách ứng dụng, thái độ và các cảnh báo an toàn của nhà sản xuất chất tẩy rửa.

Nắm phần sau của vòi hút để kéo ra, và đặt vào trong bình đựng chất tẩy rửa (không cấp kèm theo máy).

Kéo miệng phun của cần phun đưa về vị trí áp suất thấp.

Mở cần bóp. Sau vài giây, bọt sẽ thoát ra tại miệng vòi.

Điều chỉnh tay nắm nằm phía sau để định lượng.

Xoay miệng phun qua trái/phải để điều chỉnh tia nước.

## Xử lý Hỏng hóc

Có vấn đề	Nguyên Nhân Có Thể Gây Ra	Biện Pháp Sửa Chữa
Mô-tơ không khởi hoạt	Chưa cắm phích	Cắm phích vào
	Ổ cắm của nguồn điện chính bị hỏng	Sử dụng ổ cắm khác
	Cầu chì hư/nổ	Thay cầu chì
	Cáp nối dài bị hư hỏng	Thử không sử dụng cáp nối dài
	Bộ bảo vệ mô-tơ được kích hoạt	Để cho nguội xuống 15 phút
	Đóng băng	Để cho bơm/vòi cung cấp nước/ phụ kiện tan băng
Mô-tơ ngừng	Cầu chì hư/nổ	Thay cầu chì
	Điện thế nguồn không đúng	Kiểm tra điện thế nguồn có phù hợp với đặc tính kỹ thuật trên biển loại máy
	Bộ bảo vệ mô-tơ được kích hoạt	Để cho nguội xuống 15 phút
Cầu chì nổ	Cầu chì không đúng cường độ dòng điện định mức	Đổi sang nguồn điện cao hơn mức amp tiêu thụ của máy phun rửa cao áp
Mô-tơ hoạt động nhưng không có áp suất	Miệng vòi bị nghẽn một phần	Làm sạch miệng vòi

Có vấn đề	Nguyên Nhân Có Thể Gây Ra	Biện Pháp Sửa Chữa
Mô-tơ “phát ra tiếng” nhưng không khởi động	Nguồn điện cung cấp không đủ	Kiểm tra điện thế của nguồn điện cung cấp có phù hợp với điện thế trên biển thông số
	Điện thế giảm do sử dụng cáp nối dài	Kiểm tra đặc tính kỹ thuật của cáp nối dài
	Thiết bị ứng dụng từ lâu không được sử dụng	Liên hệ Trung Tâm Dịch Vụ Bosch
	Trục trục với thiết bị TSS (Hệ Thống Ngừng Toàn Bộ)	Liên hệ Trung Tâm Dịch Vụ Bosch
Áp suất dao động	Có hơi trong vòi cung cấp nước vào/bơm	Để cho máy phun rửa cao áp hoạt động mà cần bóp và miệng vòi để mở ở áp suất thấp cho đến khi có lại áp suất làm việc thông thường
	Nước cung cấp không đủ	Kiểm tra nguồn cung cấp nước có phù hợp với các đặc điểm kỹ thuật. Đặc điểm kỹ thuật tối thiểu của đường kính vòi cung cấp nước là 1/2" hay 13 mm
	Bộ lọc nước bị nghẽn	Làm sạch bộ lọc nước
	Vòi cung cấp nước bị bóp nghẹt	Duỗi thẳng vòi cung cấp nước bị xoắn hay thắt nút
Vòi áp suất cao quá dài		Tháo vòi áp suất cao nối dài ra. Thử lại (chiều dài vòi nối dài tối đa 7 m)
Áp suất quá thấp, nhưng ổn định	Miệng vòi mòn	Thay miệng vòi
Ghi chú: Một số loại phụ kiện thông thường tạo ra áp suất thấp	Van khởi động/ngừng mòn	Kích hoạt nhanh cò (cần bóp) năm lần liên tiếp
Mô-tơ khởi động nhưng có áp suất hạn chế hay không có áp suất làm việc	Không có nước cung cấp	Nối nước cung cấp vào
	Bộ lọc nước bị nghẽn	Làm sạch bộ lọc nước
	Miệng vòi bị nghẽn	Làm sạch miệng vòi
Máy phun rửa cao áp tự khởi động không bình thường	Bơm/cần bóp bị rò rỉ	Liên hệ Trung Tâm Dịch Vụ Bosch
Nước rò rỉ từ máy	Bơm bị rò rỉ	Sự rò rỉ nước chút ít có thể chấp nhận được; trong trường hợp rò rỉ quá nhiều, liên hệ Trung tâm Dịch vụ
Không có chất tẩy rửa được đưa vào	Miệng vòi điều chỉnh được ở chế độ áp suất cao	Chỉnh đặt miệng vòi ở chế độ áp suất thấp
	Chất tẩy rửa quá đậm đặc	Pha loãng với nước
	Vòi áp suất cao nối dài đang được sử dụng	Lắp vòi nguyên bản
	Sự đọng lại hay nghẽn vòng chảy của chất tẩy rửa	Xối nước sạch và loại bỏ bất cứ cản trở nào. Nếu sự trục trặc vẫn còn, liên hệ Trung Tâm Dịch Vụ Bosch.

## 60 | Tiếng Việt

**Tháo Nước Ra Khỏi Máy sau khi sử dụng (xem hình L)**

Tháo vòi ống nước ra khỏi vòi cấp nước

Tháo cần phun ra khỏi cần bóp.

Hướng cò xuống đất và mở cho máy hoạt động.

Kích hoạt cò của cần bóp và tống nước ra khỏi hệ thống.

**CẢNH BÁO:** Không để máy hoạt động lâu hơn 25 giây.

Bảo quản máy phun rửa cao áp ở nơi khô ráo.

**CẢNH BÁO:** Sự hư hỏng do đánh cạn và bị băng giá không nằm trong phần bảo hành. Nước còn tồn đọng trong máy sẽ bị đóng băng ở 0 °C và làm hư hỏng bơm. Tại những vùng có nhiệt độ ở 4 °C hay thấp hơn, máy phải được tháo nước ra để bảo quản nếu như đây là lần sử dụng cuối cùng trước mùa lạnh.

**Bảo Dưỡng và Bảo Quản****Bảo Dưỡng**

- ▶ **Tắt máy, rút phích ra khỏi nguồn cung cấp điện và tháo nguồn cung cấp nước.**

**Ghi Chú:** Để bảo đảm sự hoạt động lâu dài và đáng tin cậy, thực hiện thường xuyên việc bảo trì sau đây.

Kiểm tra các hư hỏng nhìn thấy rõ như các mối lắp nối lỏng, các bộ phận bị mòn hay hư hỏng.

Kiểm tra các nắp che và chắn không bị hư hỏng và được lắp đúng cách. Thực hiện việc bảo trì cần thiết hay sửa chữa trước khi sử dụng.

Chúng tôi khuyến nghị đưa máy đi bảo trì tại các cơ sở Dịch Vụ Khách Hàng do Bosch ủy nhiệm sau mỗi 200(GHP 5-55, GHP 5-65, GHP 5-65 X, GHP 500 X)/300 (GHP 5-75, GHP 5-75 X) giờ hoạt động.

Làm sạch lưới lọc định kỳ tuần mỗi lần. Lưu ý làm sạch bằng dấm có thể làm bong tróc cần bám nhanh hơn. Ngâm lọc vào dấm khoảng 30 phút. (xem hình M–N)

Làm sạch miệng phun.

Tra mở các vòng đệm chữ O. (xem hình O)

**Dịch Vụ Sau Khi Bán và Dịch Vụ Ứng Dụng**

[www.bosch-professional.com](http://www.bosch-professional.com)

Trong mọi thư từ giao dịch và đơn đặt hàng phụ tùng thay thế, xin vui lòng luôn luôn viết đủ 10 con số mã hàng hóa ghi trên nhãn loại máy của máy.

**Việt Nam**

CN Cty TNHH Bosch Vietnam tại TP. Ho Chi Minh  
Tầng 10, Tòa nhà 194 Golden

473 Điện Biên Phủ

Phường 25, Quận Bình Thạnh

Tp. Hồ Chí Minh

Tel.: (08) 6258 3690

Fax: (08) 6258 3692

Hotline: (08) 6250 8555

[www.bosch-pt.com.vn](http://www.bosch-pt.com.vn)

**Campuchia**

Công ty TNHH Robert Bosch (Campuchia)

Đơn nguyên 8BC, GT Tower, Tầng 08,

Đường 169, Tiệp Khắc Blvd, Sangkat Veal Vong,

Khan 7 Makara, Phnom Penh

VAT TIN : 100 169 511

Tel.: +855 23 900 685

Tel.: +855 23 900 660

[www.bosch.com.kh](http://www.bosch.com.kh)

**Bảo Vệ Môi Trường**

Các hóa chất nguy hiểm cho môi trường không được để cho chảy thấm vào đất, nước ngầm hay ao hồ, sông suối v.v..

Đối với việc sử dụng các chất làm sạch, tuân theo các hướng dẫn trên bao bì và nồng độ chính xác được định rõ.

Đối với việc rửa xe có động cơ, phải tuân theo các qui định của địa phương: Không để cho dầu được phun ra thấm vào nguồn nước ngầm. Tái chế các nguyên liệu thô thay vì thải bỏ.

**Thải bỏ**

Máy phun rửa cao áp, phụ kiện, và bao bì phải được phân loại để tái chế theo hướng thân thiện với môi trường.

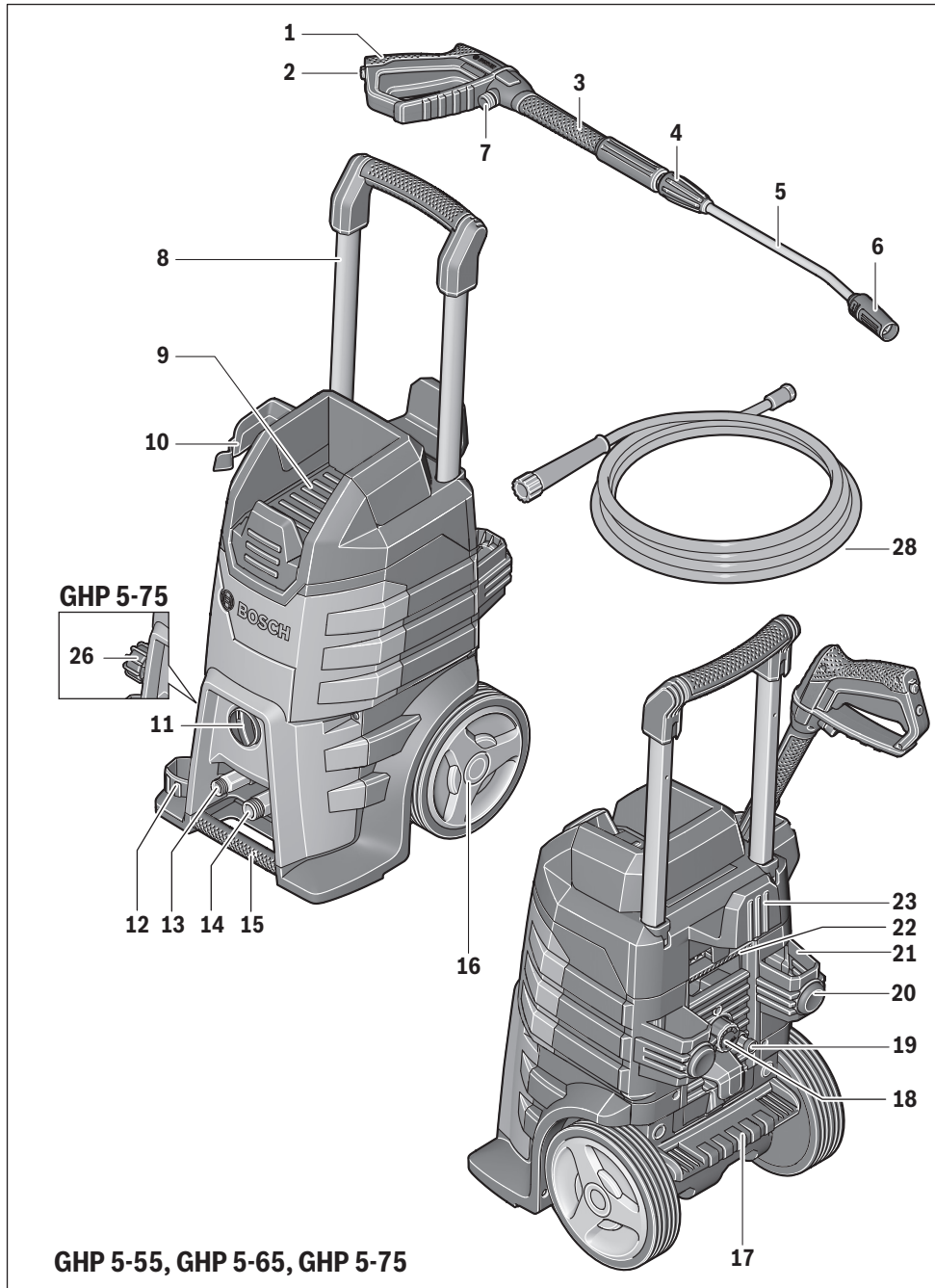


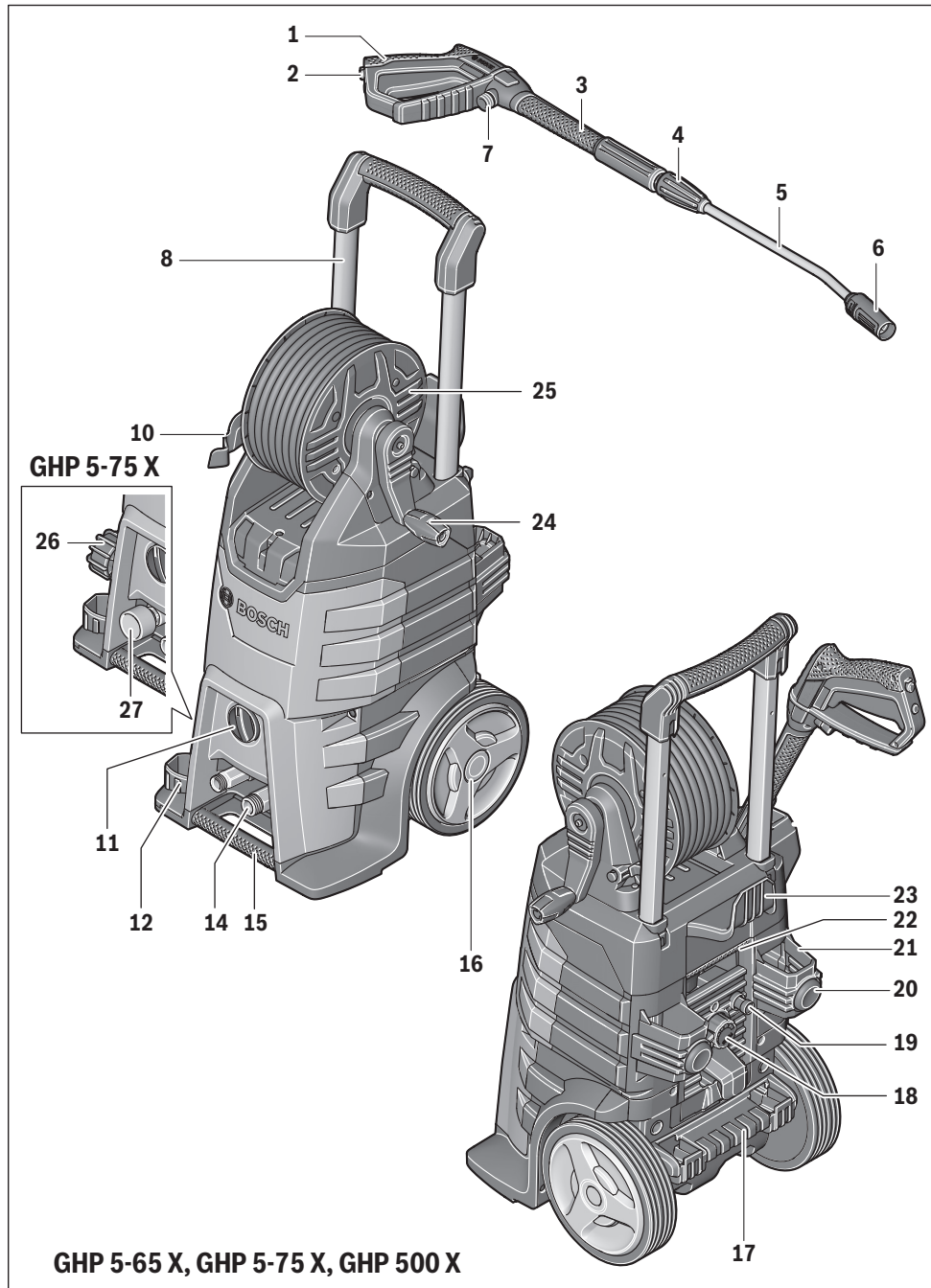
Không được thải bỏ máy phun rửa cao áp vào rác sinh hoạt gia đình!

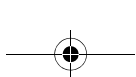
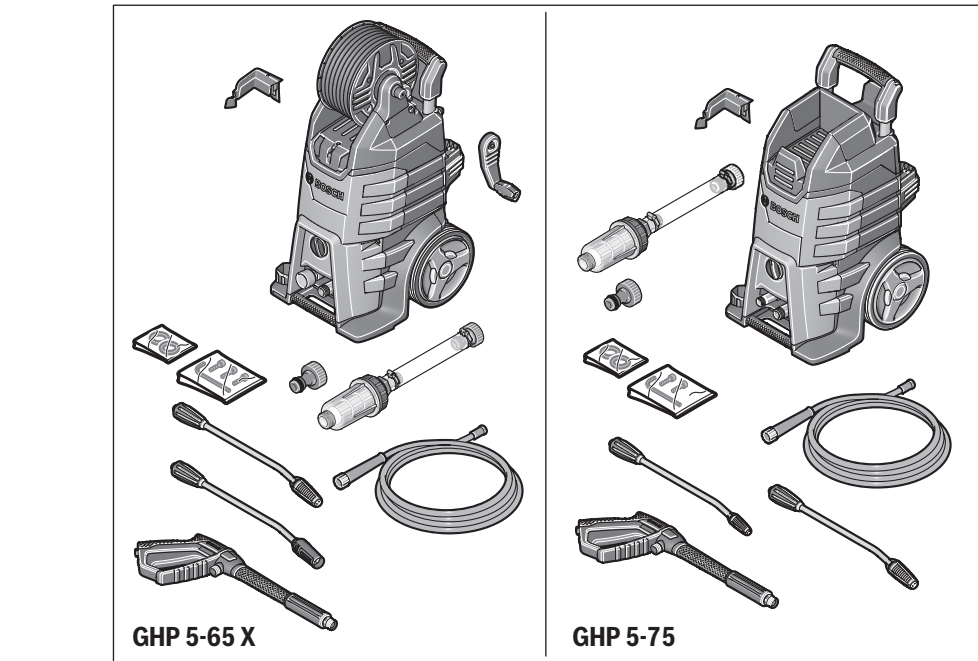
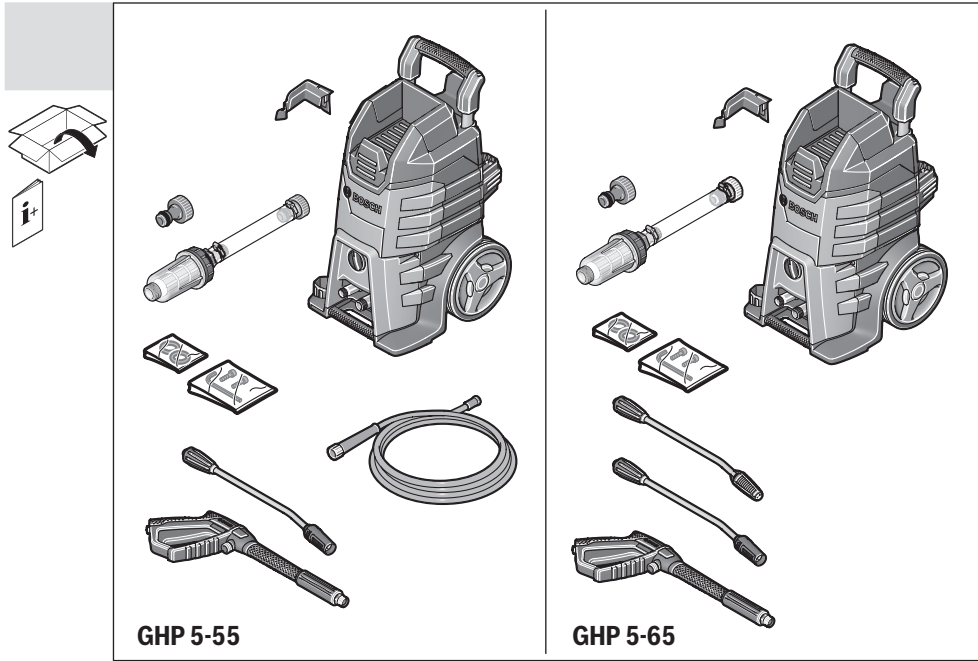
**Chỉ dành cho các nước EC:**

Căn cứ theo những qui tắc hướng dẫn thực hiện 2012/19/EU của khối EC đối với các Thiết Bị Điện và Điện Tử được Thải Bỏ và sự thực thi thành luật quốc gia, các thiết bị điện và điện tử không còn sử dụng được nữa phải thu hồi riêng biệt và thải bỏ theo cách ứng xử đúng với môi trường.

**Được quyền thay đổi nội dung mà không phải thông báo trước.**

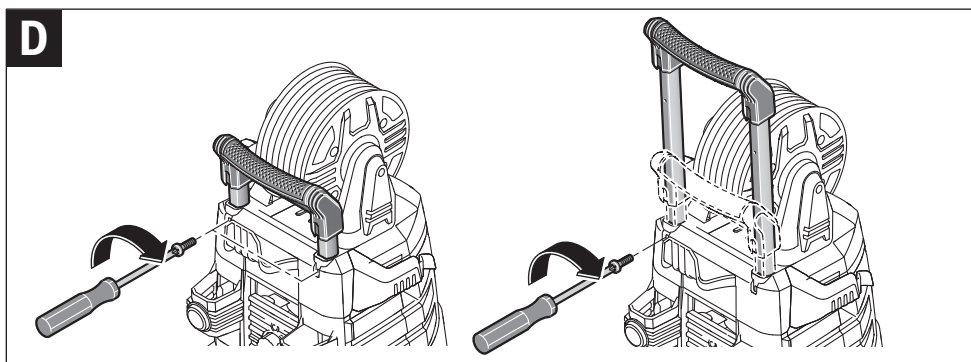
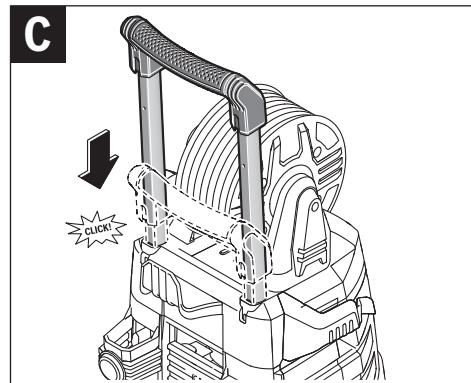
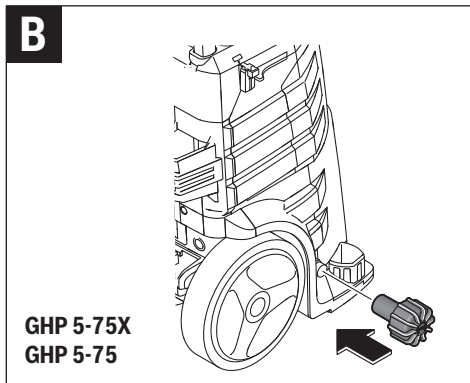
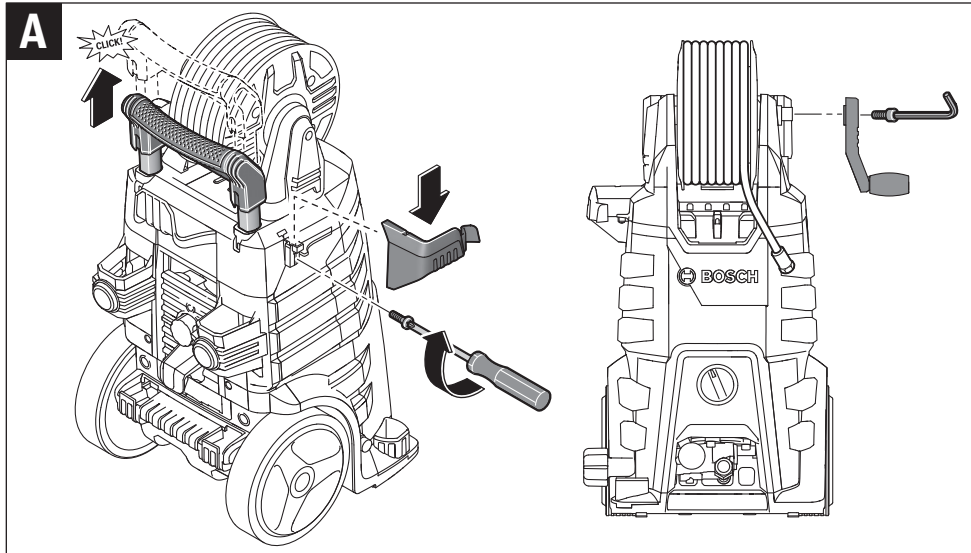


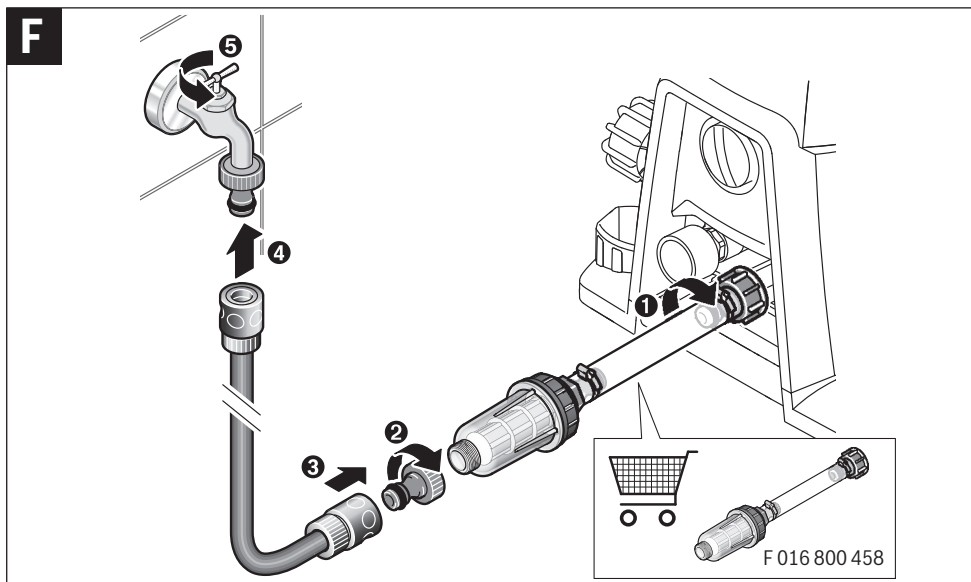
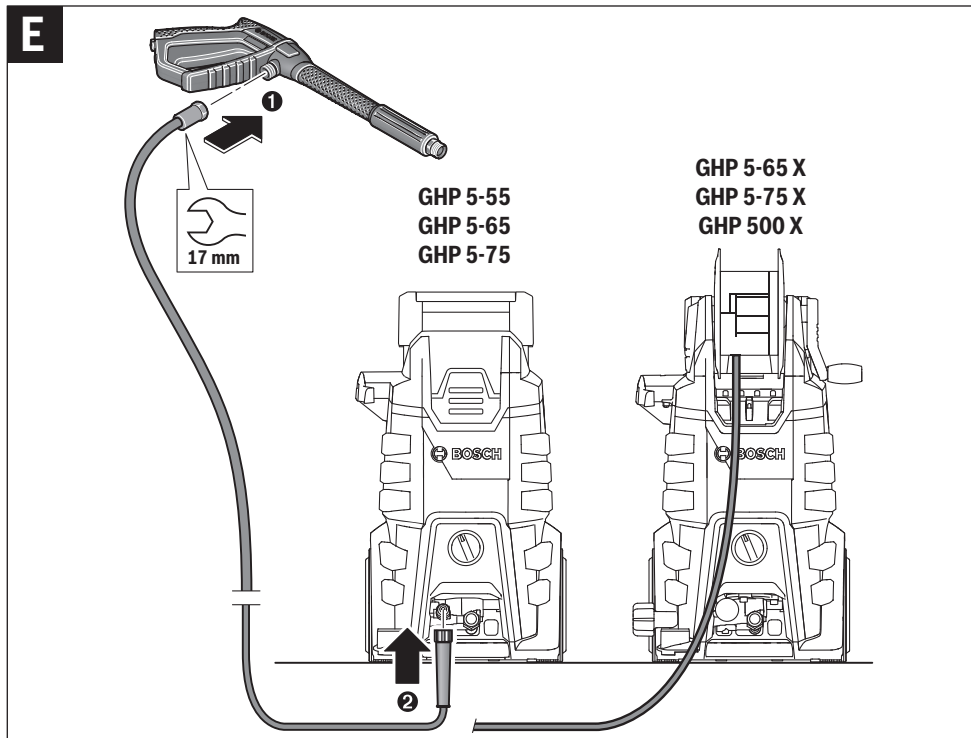


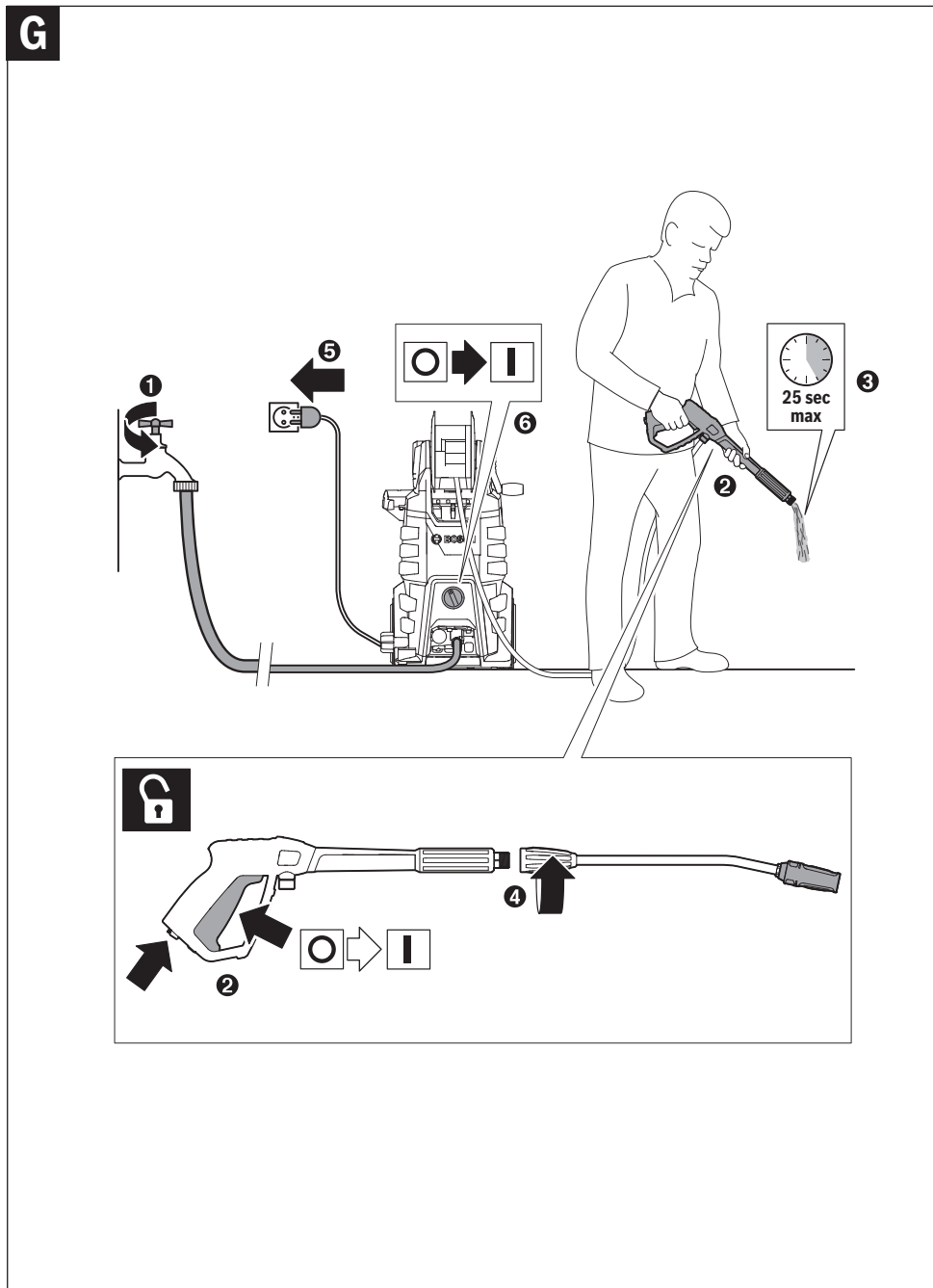


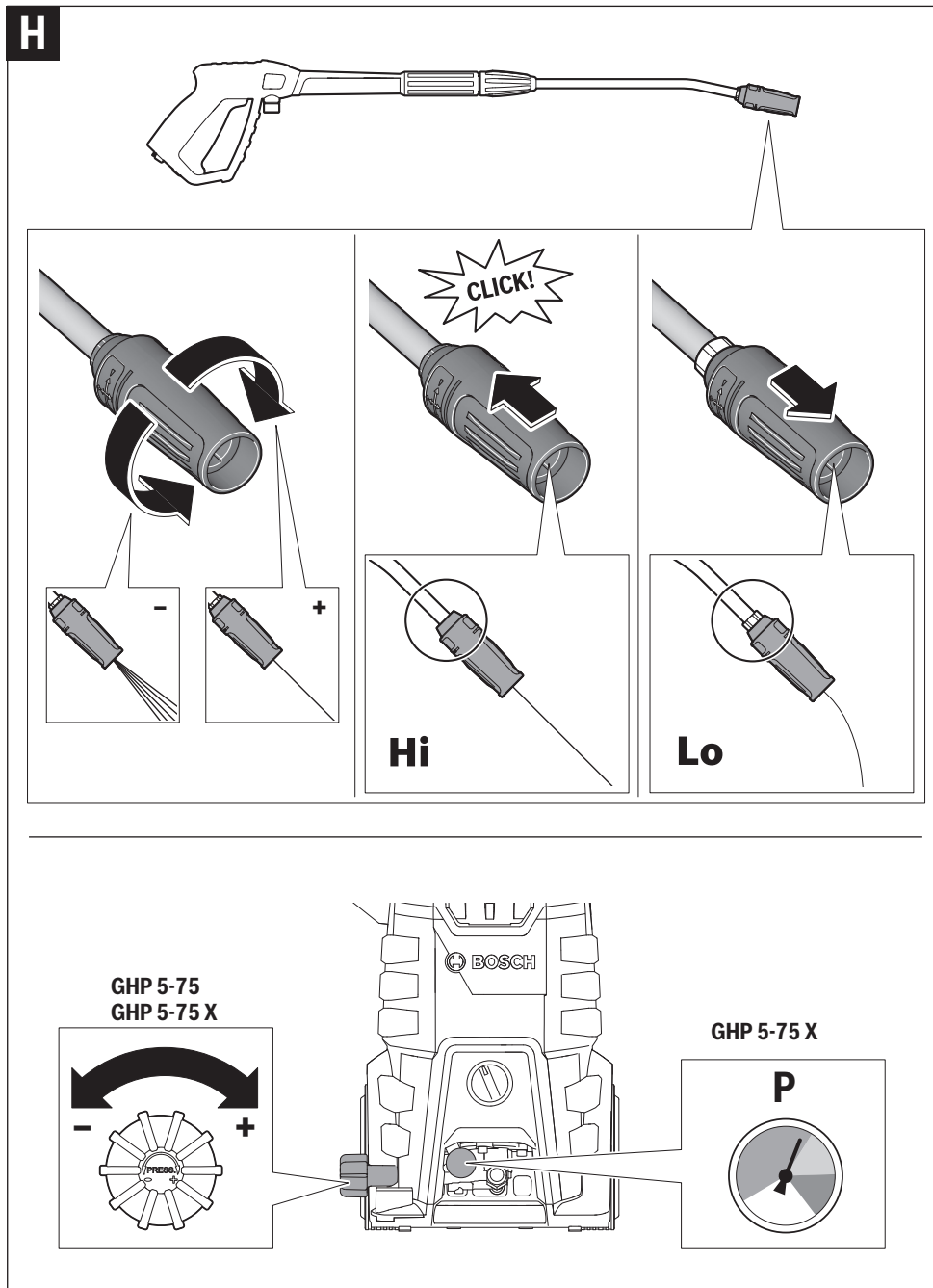


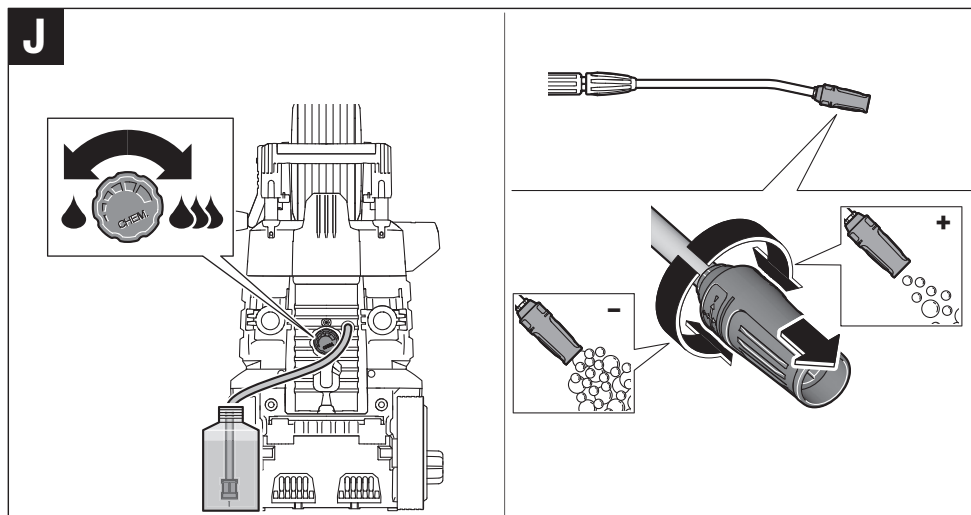
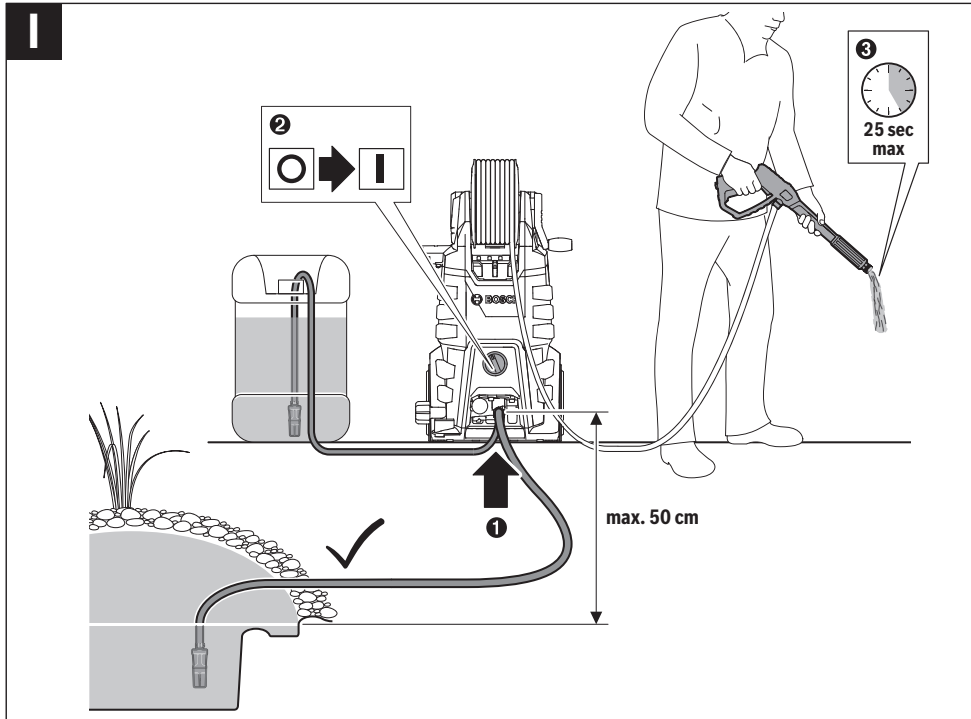






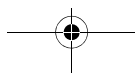
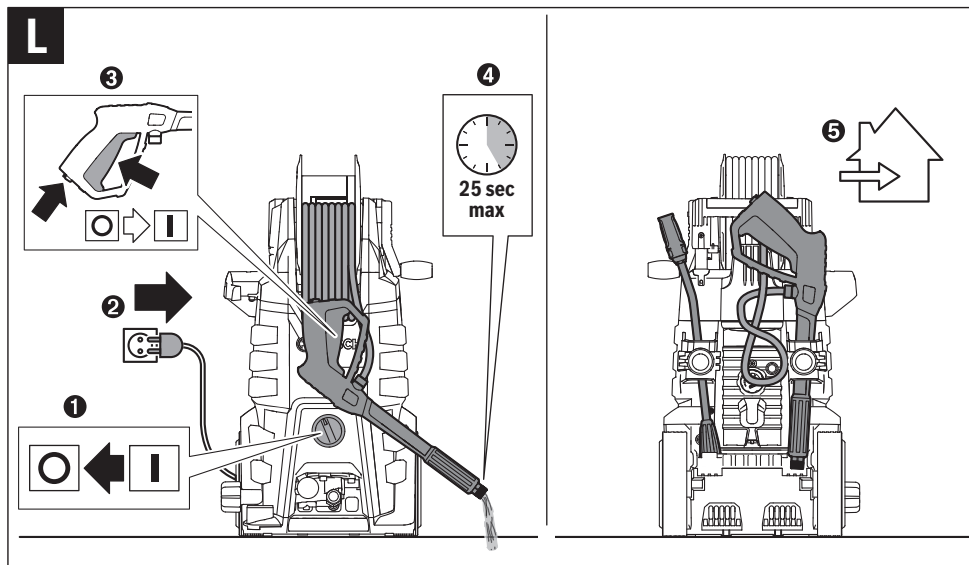
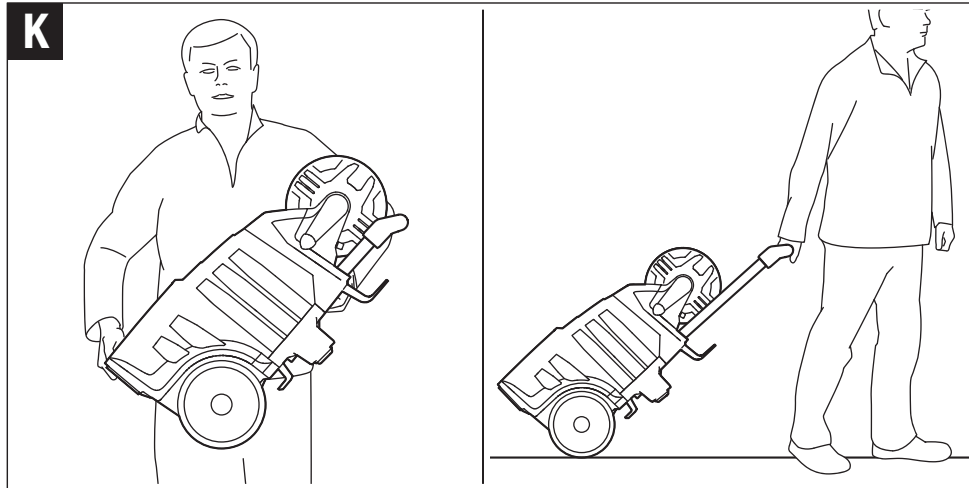


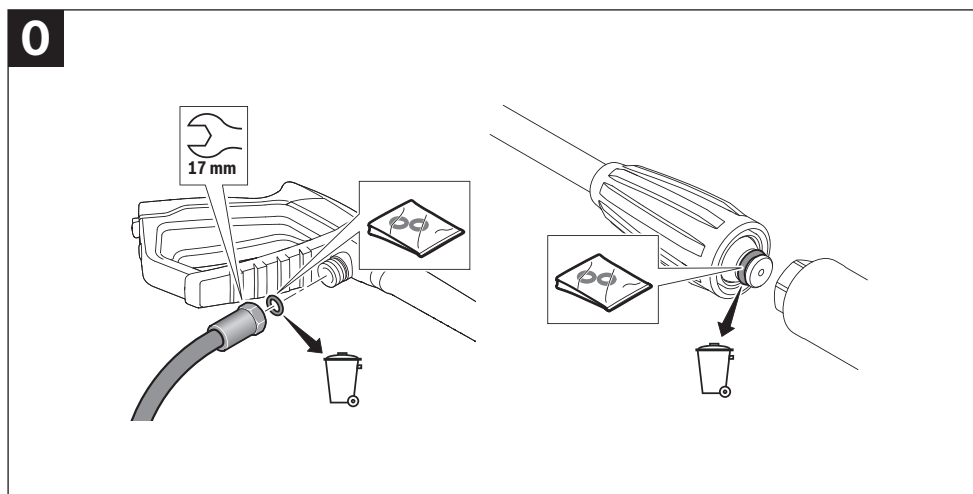
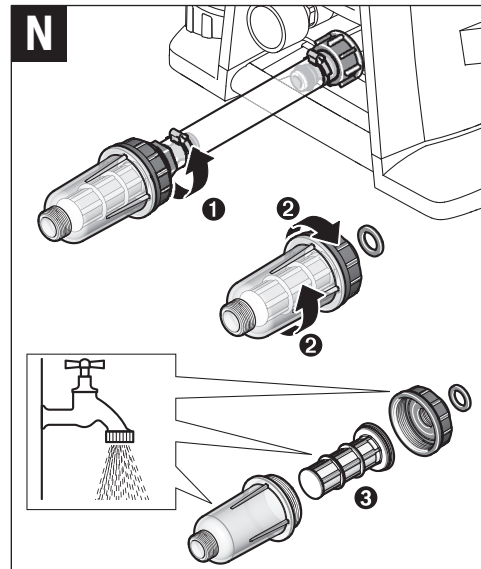
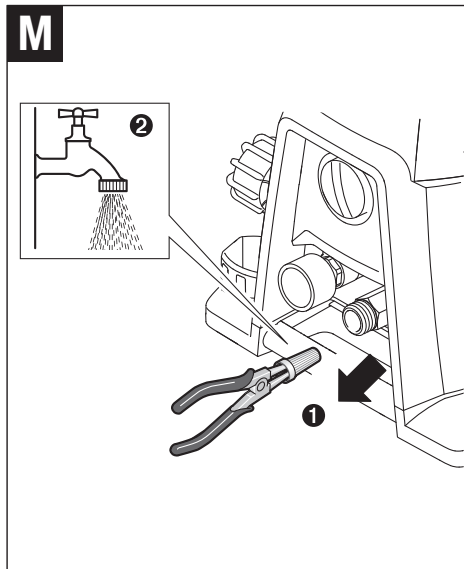


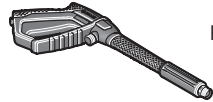




70 |







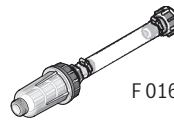
F 016 800 457



**GHP 5-55, GHP 500 X**  
F 016 800 443

**GHP 5-65, GHP 5-65 X**  
F 016 800 444

**GHP 5-75, GHP 5-75 X**  
F 016 800 445



F 016 800 458



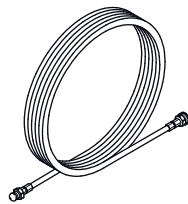
**GHP 500 X, GHP 5-55**  
F 016 800 446

**GHP 5-65, GHP 5-65 X**  
F 016 800 447

**GHP 5-75, GHP 5-75 X**  
F 016 800 448



F 016 800 454



**8 m**  
F 016 800 441

**16 m**  
F 016 800 442

