

**Robert Bosch Power Tools GmbH**  
70538 Stuttgart  
GERMANY

[www.bosch-pt.com](http://www.bosch-pt.com)

**1 609 92A 36U** (2015.10) 0 / 58 ASIA



1 609 92A 36U

## GKS 12 V-LI Professional

 **BOSCH**

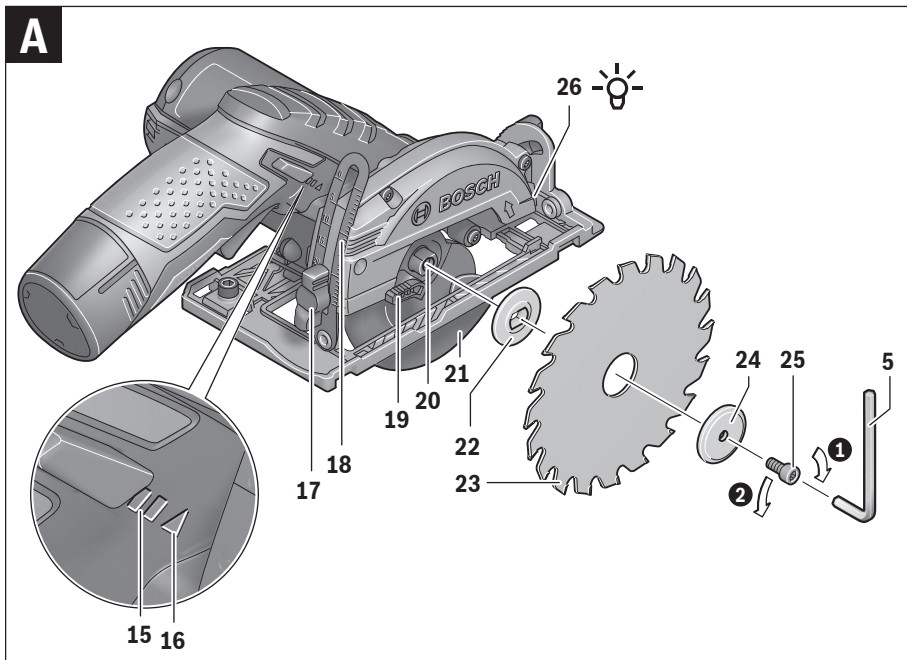
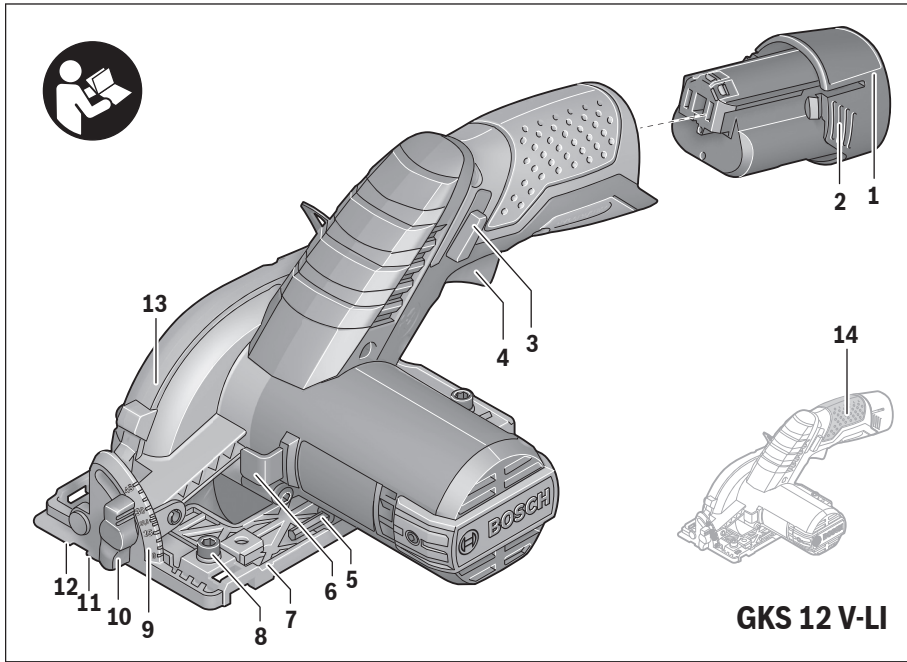
**en** Original instructions  
**cn** 正本使用说明书  
**tw** 原始使用說明書  
**ko** 사용 설명서 원본  
**th** หนังสือคู่มือการใช้งานฉบับต้นแบบ  
**id** Petunjuk-Petunjuk untuk Penggunaan Orisinal  
**vi** Bản gốc hướng dẫn sử dụng



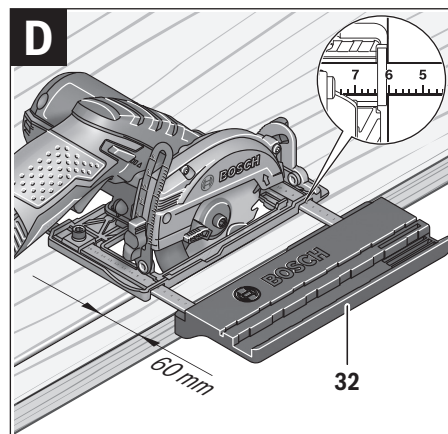
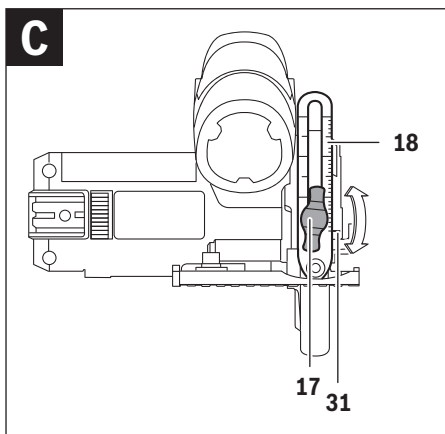
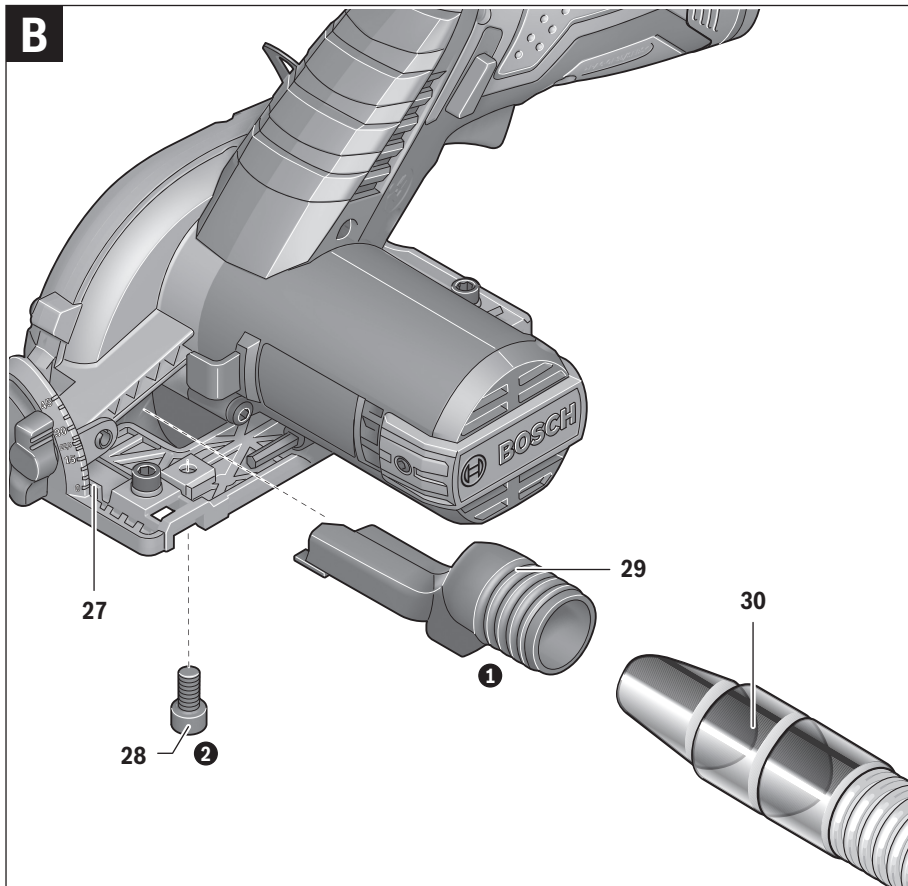


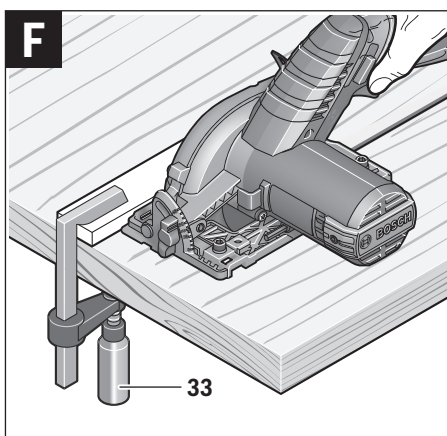
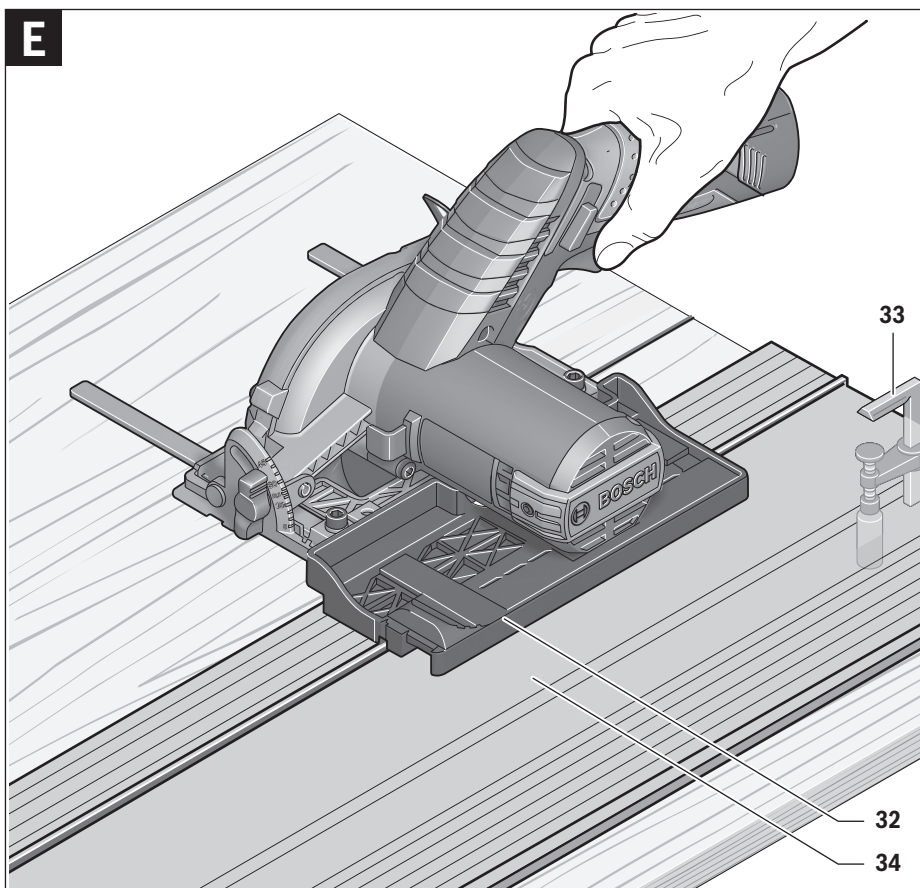
English .....	Page	6
中文 .....	页	13
中文 .....	頁	20
한국어 .....	페이지	26
ภาษาไทย .....	หน้า	33
Bahasa Indonesia .....	Halaman	40
Tiếng Việt .....	Trang	48





4 |





## English

### Safety Notes

#### General Power Tool Safety Warnings

**⚠ WARNING** Read all safety warnings and all instructions. Failure to follow the warnings and instructions may result in electric shock, fire and/or serious injury.

**Save all warnings and instructions for future reference.**

The term "power tool" in the warnings refers to your mains-operated (corded) power tool or battery-operated (cordless) power tool.

#### Work area safety

- ▶ **Keep work area clean and well lit.** Cluttered or dark areas invite accidents.
- ▶ **Do not operate power tools in explosive atmospheres, such as in the presence of flammable liquids, gases or dust.** Power tools create sparks which may ignite the dust or fumes.
- ▶ **Keep children and bystanders away while operating a power tool.** Distractions can cause you to lose control.

#### Electrical safety

- ▶ **Power tool plugs must match the outlet. Never modify the plug in any way. Do not use any adapter plugs with earthed (grounded) power tools.** Unmodified plugs and matching outlets will reduce risk of electric shock.
- ▶ **Avoid body contact with earthed or grounded surfaces, such as pipes, radiators, ranges and refrigerators.** There is an increased risk of electric shock if your body is earthed or grounded.
- ▶ **Do not expose power tools to rain or wet conditions.** Water entering a power tool will increase the risk of electric shock.
- ▶ **Do not abuse the cord. Never use the cord for carrying, pulling or unplugging the power tool. Keep cord away from heat, oil, sharp edges and moving parts.** Damaged or entangled cords increase the risk of electric shock.
- ▶ **When operating a power tool outdoors, use an extension cord suitable for outdoor use.** Use of a cord suitable for outdoor use reduces the risk of electric shock.
- ▶ **If operating a power tool in a damp location is unavoidable, use a residual current device (RCD) protected supply.** Use of an RCD reduces the risk of electric shock.

#### Personal safety

- ▶ **Stay alert, watch what you are doing and use common sense when operating a power tool. Do not use a power tool while you are tired or under the influence of drugs, alcohol or medication.** A moment of inattention while operating power tools may result in serious personal injury.
- ▶ **Use personal protective equipment. Always wear eye protection.** Protective equipment such as dust mask, non-skid safety shoes, hard hat, or hearing protection used for appropriate conditions will reduce personal injuries.

- ▶ **Prevent unintentional starting. Ensure the switch is in the off-position before connecting to power source and/or battery pack, picking up or carrying the tool.**

Carrying power tools with your finger on the switch or energising power tools that have the switch on invites accidents.

- ▶ **Remove any adjusting key or wrench before turning the power tool on.** A wrench or a key left attached to a rotating part of the power tool may result in personal injury.
- ▶ **Do not overreach. Keep proper footing and balance at all times.** This enables better control of the power tool in unexpected situations.
- ▶ **Dress properly. Do not wear loose clothing or jewellery. Keep your hair, clothing and gloves away from moving parts.** Loose clothes, jewellery or long hair can be caught in moving parts.
- ▶ **If devices are provided for the connection of dust extraction and collection facilities, ensure these are connected and properly used.** Use of dust collection can reduce dust-related hazards.

#### Power tool use and care

- ▶ **Do not force the power tool. Use the correct power tool for your application.** The correct power tool will do the job better and safer at the rate for which it was designed.
- ▶ **Do not use the power tool if the switch does not turn it on and off.** Any power tool that cannot be controlled with the switch is dangerous and must be repaired.
- ▶ **Disconnect the plug from the power source and/or the battery pack from the power tool before making any adjustments, changing accessories, or storing power tools.** Such preventive safety measures reduce the risk of starting the power tool accidentally.
- ▶ **Store idle power tools out of the reach of children and do not allow persons unfamiliar with the power tool or these instructions to operate the power tool.** Power tools are dangerous in the hands of untrained users.
- ▶ **Maintain power tools. Check for misalignment or binding of moving parts, breakage of parts and any other condition that may affect the power tool's operation. If damaged, have the power tool repaired before use.** Many accidents are caused by poorly maintained power tools.
- ▶ **Keep cutting tools sharp and clean.** Properly maintained cutting tools with sharp cutting edges are less likely to bind and are easier to control.
- ▶ **Use the power tool, accessories and tool bits etc. in accordance with these instructions, taking into account the working conditions and the work to be performed.** Use of the power tool for operations different from those intended could result in a hazardous situation.

#### Battery tool use and care

- ▶ **Recharge only with the charger specified by the manufacturer.** A charger that is suitable for one type of battery pack may create a risk of fire when used with another battery pack.

- ▶ **Use power tools only with specifically designated battery packs.** Use of any other battery packs may create a risk of injury and fire.
- ▶ **When battery pack is not in use, keep it away from other metal objects, like paper clips, coins, keys, nails, screws or other small metal objects, that can make a connection from one terminal to another.** Shorting the battery terminals together may cause burns or a fire.
- ▶ **Under abusive conditions, liquid may be ejected from the battery; avoid contact. If contact accidentally occurs, flush with water. If liquid contacts eyes, additionally seek medical help.** Liquid ejected from the battery may cause irritation or burns.

#### Service

- ▶ **Have your power tool serviced by a qualified repair person using only identical replacement parts.** This will ensure that the safety of the power tool is maintained.

#### Safety Warnings for Circular Saws

##### Cutting procedures

- ▶ **DANGER: Keep hands away from the cutting area and the saw blade.**
- ▶ **Do not reach underneath the workpiece.** The guard cannot protect you from the blade below the workpiece.
- ▶ **Adjust the cutting depth to the thickness of the workpiece.** Less than a full tooth of the blade teeth should be visible below the workpiece.
- ▶ **Never hold piece being cut in your hands or across your leg. Secure the workpiece to a stable platform.** It is important to support the work properly to minimize body exposure, blade binding, or loss of control.
- ▶ **Hold the power tool by insulated gripping surfaces only, when performing an operation where the cutting tool may contact hidden wiring.** Contact with a "live" wire will also make exposed metal parts of the power tool "live" and could give the operator an electric shock.
- ▶ **When ripping, always use a rip fence or straight edge guide.** This improves the accuracy of cut and reduces the chance of blade binding.
- ▶ **Always use blades with correct size and shape (diamond versus round) of arbour holes.** Blades that do not match the mounting hardware of the saw will run eccentrically, causing loss of control.
- ▶ **Never use damaged or incorrect blade washers or bolt.** The blade washers and bolt were specially designed for your saw, for optimum performance and safety of operation.
- ▶ **Kickback causes and related warnings**
  - Kickback is a sudden reaction to a pinched, bound or misaligned saw blade, causing an uncontrolled saw to lift up and out of the workpiece toward the operator;
  - When the blade is pinched or bound tightly by the kerf closing down, the blade stalls and the motor reaction drives the unit rapidly back toward the operator;
  - If the blade becomes twisted or misaligned in the cut, the teeth at the back edge of the blade can dig into the top surface of the wood causing the blade to climb out of the kerf and jump back toward the operator.

surface of the wood causing the blade to climb out of the kerf and jump back toward the operator.

Kickback is the result of saw misuse and/or incorrect operating procedures or conditions and can be avoided by taking proper precautions as given below.

- ▶ **Maintain a firm grip on the saw and position your arms to allow you to resist kickback force. Always stay to the side of the saw blade, never putting the saw blade in line with your body.** The saw can jump backwards in the event of kickback, but the operator can control kickback force if proper precautions are taken.
- ▶ **When blade is binding, or when interrupting a cut for any reason, release the trigger and hold the saw motionless in the material until the blade comes to a complete stop. Never attempt to remove the saw from the work or pull the saw backward while the blade is in motion or kickback may occur.** Investigate and take corrective actions to eliminate the cause of blade binding.
- ▶ **When restarting a saw in the workpiece, centre the saw blade in the kerf and check that saw teeth are not engaged into the material.** If saw blade is binding, it may walk up or kickback from the workpiece as the saw is restarted.
- ▶ **Support large panels to minimise the risk of blade pinching and kickback.** Large panels tend to sag under their own weight. Supports must be placed under the panel on both sides, near the line of cut and near the edge of the panel.
- ▶ **Do not use dull or damaged blades.** Unsharpened or improperly set blades produce narrow kerf causing excessive friction, blade binding and kickback.
- ▶ **Blade depth and bevel adjusting locking levers must be tight and secure before making cut.** If blade adjustment shifts while cutting, it may cause binding and kickback.
- ▶ **Use extra caution when sawing into existing walls or other blind areas.** The protruding blade may cut objects that can cause kickback.

#### Lower guard function

- ▶ **Check lower guard for proper closing before each use. Do not operate the saw if lower guard does not move freely and close instantly. Never clamp or tie the lower guard into the open position.** If saw is accidentally dropped, lower guard may be bent. Raise the lower guard with the retracting handle and make sure it moves freely and does not touch the blade or any other part, in all angles and depths of cut.
- ▶ **Check the operation of the lower guard spring. If the guard and the spring are not operating properly, they must be serviced before use.** Lower guard may operate sluggishly due to damaged parts, gummy deposits, or a build-up of debris.
- ▶ **The lower guard may be retracted manually only for special cuts such as "plunge cuts and angle cuts". Raise the lower guard by retracting the handle and as soon as the blade enters the material, release the lower guard.** For all other sawing operations, the lower guard should operate automatically.

## 8 | English

- ▶ **Always observe that the lower guard is covering the blade before placing saw down on bench or floor.** An unprotected, coasting blade will cause the saw to walk backwards, cutting whatever is in its path. Be aware of the time it takes for the blade to stop after switch is released.

**Additional safety warnings**

- ▶ **Do not reach into the chip ejector with your hands.** They could be injured by rotating parts.
  - ▶ **Do not work overhead with the saw.** In this manner you do not have sufficient control over the power tool.
  - ▶ **Use appropriate detectors to determine if utility lines are hidden in the work area or call the local utility company for assistance.** Contact with electric lines can lead to fire and electric shock. Damaging a gas line can lead to explosion. Penetrating a water line causes property damage.
  - ▶ **Do not operate the power tool stationary.** It is not designed for operation with a saw table.
  - ▶ **Do not use high speed steel (HSS) saw blades.** Such saw blades can easily break.
  - ▶ **Do not saw ferrous metals.** Red hot chips can ignite the dust extraction.
  - ▶ **Secure the workpiece.** A workpiece clamped with clamping devices or in a vice is held more secure than by hand.
  - ▶ **Always wait until the machine has come to a complete stop before placing it down.** The tool insert can jam and lead to loss of control over the power tool.
  - ▶ **Do not open the battery.** Danger of short-circuiting.
- 
- Protect the battery against heat, e. g., against continuous intense sunlight, fire, water, and moisture.** Danger of explosion.
- ▶ **In case of damage and improper use of the battery, vapours may be emitted. Ventilate the area and seek medical help in case of complaints.** The vapours can irritate the respiratory system.
  - ▶ **Use the battery only in conjunction with your Bosch product.** This measure alone protects the battery against dangerous overload.
  - ▶ **The battery pack can be damaged by pointed objects such as nails or screwdrivers or by force applied externally.** An internal short circuit can occur and the battery pack can burn, smoke, explode or overheat.

## Product Description and Specifications



**Read all safety warnings and all instructions.** Failure to follow the warnings and instructions may result in electric shock, fire and/or serious injury.

**Intended Use**

The machine is intended for lengthways and crossways cutting of wood with straight cutting lines as well as mitre cuts in wood while resting firmly on the workpiece.

The light of this power tool is intended to illuminate the power tool's direct area of working operation and is not suitable for household room illumination.

**Product Features**

The numbering of the product features refers to the illustration of the machine on the graphics page.

- 1 Battery pack
- 2 Battery unlocking button
- 3 Lock-off button for On/Off switch
- 4 On/Off switch
- 5 Hex key
- 6 Spindle lock button
- 7 Base plate
- 8 Fastening bolt for parallel guide
- 9 Scale for mitre angle
- 10 Wing bolt for bevel-angle preselection
- 11 Cutting mark, 45°
- 12 Cutting mark, 0°
- 13 Blade guard
- 14 Handle (insulated gripping surface)
- 15 Battery charge-control indicator
- 16 Temperature control/overload protection indicator
- 17 Wing bolt for cutting depth preselection
- 18 Cutting-depth scale
- 19 Lever for retracting blade guard
- 20 Saw spindle
- 21 Retracting blade guard
- 22 Mounting flange
- 23 Saw blade
- 24 Clamping flange
- 25 Clamping bolt
- 26 "PowerLight"
- 27 Reference mark for mitre angle setting
- 28 Fastening screw for extraction adapter
- 29 Extraction adapter\*
- 30 Vacuum hose\*
- 31 Reference mark for cutting depth setting
- 32 Parallel guide/guide rail adapter\*
- 33 Set of screw clamps\*
- 34 Guide rail\*

\*Accessories shown or described are not part of the standard delivery scope of the product. A complete overview of accessories can be found in our accessories program.

**Technical Data**

Circular Saw	GKS 12 V-LI	
Article number		3 601 FA1 0..
Rated voltage	V=	12
No-load speed	min <sup>-1</sup>	1400

\* Limited performance at temperatures < 0 °C

Technical data determined with battery from delivery scope.



Circular Saw		GKS 12 V-LI
Cutting depth, max.		
– for 0° bevel angle	mm	26.5
– for 45° bevel angle	mm	17.0
Spindle lock		
		●
Base plate dimensions		mm 167 x 88
Saw blade diameter, max.		mm 85
Saw blade diameter, min.		mm 85
Blade thickness, max.		mm 0.7
Tooth thickness/setting, max.		mm 1.1
Tooth thickness/setting, min.		mm 1.0
Mounting bore		mm 15
Weight according to EPTA-Procedure 01:2014		
		kg 1.4
Permitted ambient temperature		
– during charging	°C	0... +45
– during operation and during storage	°C	–20... +50
Recommended batteries		GBA 12V ...0–...
Recommended chargers		GAL 12.. CV

\* Limited performance at temperatures < 0 °C  
 Technical data determined with battery from delivery scope.

## Assembly

### Battery Charging

- ▶ **Use only the battery chargers listed on the accessories page.** Only these battery chargers are matched to the lithium-ion battery of your power tool.

**Note:** The battery supplied is partially charged. To ensure full capacity of the battery, completely charge the battery in the battery charger before using your power tool for the first time. The lithium-ion battery can be charged at any time without reducing its service life. Interrupting the charging procedure does not damage the battery.

The lithium-ion battery is protected against deep discharging by the "Electronic Cell Protection (ECP)". When the battery is empty, the machine is switched off by means of a protective circuit: The inserted tool no longer rotates.

- ▶ **Do not continue to press the On/Off switch after the machine has been automatically switched off.** The battery can be damaged.

Observe the notes for disposal.

### Removing the battery

The battery **1** is equipped with two locking levels that should prevent the battery from falling out when pushing the battery unlocking button **2** unintentionally. As long as the battery is inserted in the power tool, it is held in position by means of a spring.

To remove the battery **1**, press the battery unlocking button **2** and pull the battery out of the power tool toward the rear. **Do not exert any force.**

### Battery Charge-control Indication

The three green LEDs of the battery charge-control indicator **15** indicate the charge condition of the battery **1**. For safety reasons, it is only possible to check the status of the charge condition when the machine is at a standstill.

Press the On/Off switch **4** halfway or completely through to indicate the charge condition.

LED	Capacity
Continuous lighting 3 x green	≥ 2/3
Continuous lighting 2 x green	≥ 1/3
Continuous lighting 1 x green	< 1/3
Flashing light 1 x green	Reserve

When no LED lights up after pressing the On/Off switch **4**, the battery is defective and must be replaced.

### Mounting/Replacing the Saw Blade

- ▶ **Before any work on the power tool, remove the battery.**
- ▶ **When mounting the saw blade, wear protective gloves.** Danger of injury when touching the saw blade.
- ▶ **Only use saw blades that correspond with the characteristic data given in the operating instructions.**
- ▶ **Do not under any circumstances use grinding discs as the cutting tool.**

### Selecting a Saw Blade

An overview of recommended saw blades can be found at the end of this manual.

### Removal of the Saw Blade (see figure A)

For changing the cutting tool, it is best to place the machine on the face side of the motor housing.


- Press the spindle lock button **6** and keep it pressed.
- ▶ **The spindle lock button 6 may be actuated only when the saw spindle is at a standstill.** Otherwise, the power tool can be damaged.
- With the hex key **5**, unscrew the clamping bolt **25** turning in rotation direction **⚙**.
- Tilt back the retracting blade guard **21** and hold firmly.
- Remove the clamping flange **24** and the saw blade **23** from the saw spindle **20**.

### Mounting the Saw Blade (see figure A)

For changing the cutting tool, it is best to place the machine on the face side of the motor housing.

- Clean the saw blade **23** and all clamping parts to be assembled.
- Tilt back the retracting blade guard **21** and hold firmly.
- Place the saw blade **23** onto the mounting flange **22**. The cutting direction of the teeth (direction of arrow on the saw blade) and the direction-of-rotation arrow on the retracting blade guard **21** must correspond.
- Mount the clamping flange **24** and screw in the clamping bolt **25** turning in rotation direction **⚙**. Observe correct mounting position of mounting flange **22** and clamping flange **24**.
- Press the spindle lock button **6** and keep it pressed.

## 10 | English

- With the hex key **5**, tighten the clamping bolt **25** turning in rotation direction . The tightening torque is between 6–9 Nm, which corresponds to hand tight plus ¼ turn.

### Dust/Chip Extraction

#### ► Before any work on the power tool, remove the battery.

- Dust from materials such as lead-containing coatings, some wood types, minerals and metal can be harmful to one's health. Touching or breathing-in the dust can cause allergic reactions and/or lead to respiratory infections of the user or bystanders.

Certain dust, such as oak or beech dust, is considered carcinogenic, especially in connection with wood-treatment additives (chromate, wood preservative). Materials containing asbestos may only be worked by specialists.

- To achieve a high level of dust extraction, use a suitable dust extractor together with this power tool.
- Provide for good ventilation of the working place.
- It is recommended to wear a P2 filter-class respirator.

Observe the relevant regulations in your country for the materials to be worked.

#### Mounting the Extraction Adapter (see figure B)

Fasten the extraction adapter **29** to the base plate **7** with the fastening screw **28**.

A vacuum hose with a diameter of 19 mm can be connected to the extraction adapter **29**.

- **The extraction adapter may not be mounted when no external dust extraction is connected.** Otherwise the extraction channel can become clogged.

- **Do not connect a dust bag to the extraction adapter.** Otherwise the extraction system can become clogged.

To ensure optimum extraction, the extraction adapter **29** must be cleaned regularly.

#### External Dust Extraction

Connect the vacuum hose **30** to a vacuum cleaner (accessory). An overview for connecting to various vacuum cleaners can be found at the end of this manual.

The vacuum cleaner must be suitable for the material being worked.

When vacuuming dry dust that is especially detrimental to health or carcinogenic, use a special vacuum cleaner.

## Operation

### Operating Modes

- **Before any work on the power tool, remove the battery.**

#### Adjusting the Cutting Depth (see figure C)

- **Adjust the cutting depth to the thickness of the workpiece.** Less than a full tooth of the blade teeth should be visible below the workpiece.

Loosen wing bolt **17**. For a smaller cutting depth, pull the machine from the base plate **7**; for a larger cutting depth, push the machine toward the base plate **7**. Adjust the desired cutting depth at the cutting-depth scale **18**. Tighten wing bolt **17** again.

When setting the cutting depth, use the reference mark **31** to the side of the cutting-depth scale **18**.

#### Adjusting the Cutting Angle

It is best to place the machine on the face side of the blade guard **13**.

Loosen wing bolt **10**. Tilt the saw sideways. Adjust the desired setting at the scale **9**. Tighten wing bolt **10** again.

When setting the mitre angle, use the reference mark **27** (upper edge of the holder).

**Note:** For bevel cuts, the cutting depth is smaller than the setting indicated on the cutting-depth scale **18**.

#### Cutting Marks

The 0° cutting mark **12** indicates the position of the saw blade for right-angled cuts. The 45° cutting mark **11** indicates the position of the saw blade for 45° cuts.

### Starting Operation

#### Inserting the battery

- **Use only original Bosch lithium-ion batteries with the voltage listed on the nameplate of your power tool.**

Using other batteries can lead to injuries and pose a fire hazard.

Insert the charged battery **1** from the front into the base of the power tool. Push the battery completely into the base until the red stripe can no longer be seen and the battery is securely locked.

#### Switching On and Off

To **start** the machine, **first** push the lock-off button for the On/Off switch **3** and **then** press the On/Off switch **4** and keep it pressed.

To **switch off** the machine, release the On/Off switch **4**.

**Note:** For safety reasons, the On/Off switch **4** cannot be locked; it must remain pressed during the entire operation.

#### Run-on Brake

An integrated run-on brake reduces the run-on period of the saw blade after switching off the machine.

#### Temperature Control/Overload Protection Indicator

The red LED indicator **16** will help you in protecting the battery against overheating and the motor against overloading.

When the LED indicator **16 continuously lights up red**, the temperature of the battery is too high and the machine switches off automatically.

- Switch the power tool off.
- Allow the battery to cool down before continuing to work.

The LED indicator **16 flashes red**, the power tool is blocked and switches off automatically.

Remove the power tool from the workpiece.

The power tool will continue to work as soon as the blockage is rectified.

#### Protection Against Deep Discharging

The lithium-ion battery is protected against deep discharging by the "Electronic Cell Protection (ECP)". When the battery is empty, the machine is switched off by means of a protective circuit: The inserted tool no longer rotates.

**Switching on the LED Work Area Illumination**

The power light **26** lights up when the On/Off switch **4** is slightly or completely pressed, and allows the work area to be illuminated when lighting conditions are insufficient.

**Working Advice**

Protect saw blades against impact and shock.

Guide the machine evenly and with light feed in the cutting direction. Excessive feed significantly reduces the service life of the saw blade and can cause damage to the power tool.

Sawing performance and cutting quality depend essentially on the condition and the tooth form of the saw blade. Therefore, use only sharp saw blades that are suited for the material to be worked.

**Sawing Wood**

The correct selection of the saw blade depends on the type and quality of the wood and whether lengthway or crossway cuts are required.

When cutting spruce lengthways, long spiral chips are formed.

Beech and oak dusts are especially detrimental to health. Therefore, work only with dust extraction.

**Sawing with Parallel Guide (see figure D)**

The parallel guide **32** enables exact cuts along a workpiece edge and cutting strips of the same dimension.

Set the desired cutting width at the outer edge of the base plate using the scale on the guides of the parallel guide/guide rail adapter. (see figure D)

**Sawing with Auxiliary Guide (see figure F)**

For sawing large workpieces or straight edges, a board or strip can be clamped to the workpiece as an auxiliary guide; the base plate of the circular saw can be guided alongside the auxiliary guide.

**Sawing with Guide Rail (see figure E)**

The guide rail **34** is used to carry out straight cuts.

**Note:** Use the guide rail **34** only for right-angled cuts. When using for mitre cuts, the guide rail **34** can become damaged.

The adhesive coating prevents the guide rail from slipping and protects the surface of the workpiece. The coating of the guide rail allows the circular saw to glide easily.

Fasten the guide rail **34** to the workpiece using suitable clamping devices, e.g. screw clamps. Put the power tool with mounted guide rail adapter on the guide rail.

**Note:** Mount the parallel guide/guide rail adapter **32** on the power tool with the Bosch logo facing down.

**The guide rail 34 must not extend beyond the face side of the workpiece where the cut is to be started.**

Switch the machine on and guide it in the cutting direction applying moderate and steady feed.

**Working with parallel guide/guide rail adapter and vacuum hose**

First mount the extraction adapter **29** with vacuum hose **30** and then the parallel guide/guide adapter **32**.

**Note:** Use only the intended screws to fix the parallel guide/guide adapter **32** and the extraction adapter **29**!

**Recommendations for Optimal Handling of the Battery**

Protect the battery against moisture and water.

Store the battery only within a temperature range between  $-20\text{ }^{\circ}\text{C}$  and  $50\text{ }^{\circ}\text{C}$ . As an example, do not leave the battery in the car in summer.

Occasionally clean the venting slots of the battery using a soft, clean and dry brush.

A significantly reduced working period after charging indicates that the battery is used and must be replaced.

Observe the notes for disposal.

**Maintenance and Service****Maintenance and Cleaning**

► **Before any work on the machine itself (e. g. maintenance, tool change, etc.) as well as during transport and storage, remove the battery from the power tool.**

There is danger of injury when unintentionally actuating the On/Off switch.

► **For safe and proper working, always keep the machine and ventilation slots clean.**

The retracting blade guard must always be able to move freely and retract automatically. Therefore, always keep the area around the retracting blade guard clean. Remove dust and chips by blowing out with compressed air or with a brush.

Saw blades that are not coated can be protected against corrosion with a thin coat of acid-free oil. Before use, the oil must be removed again, otherwise the wood will become soiled.

Resin and glue residue on the saw blade produces poor cuts. Therefore, clean the saw blade immediately after use.

**After-sales Service and Application Service**

Our after-sales service responds to your questions concerning maintenance and repair of your product as well as spare parts. Exploded views and information on spare parts can also be found under:

**www.bosch-pt.com**

Bosch's application service team will gladly answer questions concerning our products and their accessories.

In all correspondence and spare parts orders, please always include the 10-digit article number given on the nameplate of the product.

**People's Republic of China****China Mainland**

Bosch Power Tools (China) Co., Ltd.

567, Bin Kang Road

Bin Jiang District 310052

Hangzhou, P. R. China

Service Hotline: 4008268484

Fax: (0571) 87774502

E-Mail: contact.ptcn@cn.bosch.com

www.bosch-pt.com.cn

**12 | English****HK and Macau Special Administrative Regions**

Robert Bosch Hong Kong Co. Ltd.  
 21st Floor, 625 King's Road  
 North Point, Hong Kong  
 Customer Service Hotline: +852 2101 0235  
 Fax: +852 2590 9762  
 E-Mail: info@hk.bosch.com  
 www.bosch-pt.com.hk

**Indonesia**

PT Robert Bosch  
 Palma Tower 10<sup>th</sup> Floor  
 Jl. RA Kartini II-S Kaveling 6 Sek II  
 Pondok Pinang, Kebayoran Lama  
 Jakarta Selatan 12310  
 Indonesia  
 Tel.: (021) 3005 5800  
 Fax: (021) 3005 5801  
 E-Mail: boschpowertools@id.bosch.com  
 www.bosch-pt.co.id

**Philippines**

Robert Bosch, Inc.  
 28th Floor Fort Legend Towers,  
 3rd Avenue corner 31st Street,  
 Fort Bonifacio Global City,  
 1634 Taguig City, Philippines  
 Tel.: (02) 8703871  
 Fax: (02) 8703870  
 matheus.contiero@ph.bosch.com  
 www.bosch-pt.com.ph

Bosch Service Center:  
 9725-27 Kamagong Street  
 San Antonio Village  
 Makati City, Philippines  
 Tel.: (02) 8999091  
 Fax: (02) 8976432  
 E-Mail: rosalie.dagdagan@ph.bosch.com

**Malaysia**

Robert Bosch Sdn. Bhd.  
 No. 8A, Jalan 13/6  
 G.P.O. Box 10818  
 46200 Petaling Jaya  
 Selangor, Malaysia  
 Tel.: (03) 79663194  
 Fax: (03) 79583838  
 E-Mail: cheehoe.on@my.bosch.com  
 Toll-Free: 1800 880188  
 www.bosch-pt.com.my

**Thailand**

Robert Bosch Ltd.  
 Liberty Square Building  
 No. 287, 11 Floor  
 Silom Road, Bangrak  
 Bangkok 10500  
 Tel.: 02 6393111  
 Fax: 02 2384783  
 Robert Bosch Ltd., P. O. Box 2054  
 Bangkok 10501, Thailand  
 www.bosch.co.th

Bosch Service – Training Centre  
 La Salle Tower Ground Floor Unit No.2  
 10/11 La Salle Moo 16  
 Srinakharin Road  
 Bangkaew, Bang Plee  
 Samutprakarn 10540  
 Thailand  
 Tel.: 02 7587555  
 Fax: 02 7587525

**Singapore**

Powerwell Service Centre Ptd Ltd  
 65 Ubi Crescent, #06-03 Hola Centre  
 Singapore 408559  
 Tel.: 6746 9770/71  
 Fax: 6746 9760  
 E-Mail: powerwellsc@gmail.com  
 Toll-Free: 1800 3338333  
 www.bosch-pt.com.sg

**Vietnam**

Robert Bosch Vietnam Co. Ltd  
 13th Floor, 194 Golden Building  
 473 Dien Bien Phu Street  
 Ward 25, Binh Thanh District  
 84 Ho Chi Minh City  
 Vietnam  
 Tel.: (08) 6258 3690  
 Fax: (08) 6258 3692  
 Hotline: (08) 6250 8555  
 E-Mail: tuvankhachhang-pt@vn.bosch.com  
 www.bosch-pt.com.vn  
 www.baohanhbosch-pt.com.vn

**Australia, New Zealand and Pacific Islands**

Robert Bosch Australia Pty. Ltd.  
 Power Tools  
 Locked Bag 66  
 Clayton South VIC 3169  
 Customer Contact Center  
 Inside Australia:  
 Phone: (01300) 307044  
 Fax: (01300) 307045  
 Inside New Zealand:  
 Phone: (0800) 543353  
 Fax: (0800) 428570  
 Outside AU and NZ:  
 Phone: +61 3 95415555  
 www.bosch-pt.com.au  
 www.bosch-pt.co.nz

**Egypt**

Unimar  
 20 Markaz kadmat  
 El tagmoa EL Aoul – New Cairo  
 Tel: +2 02 224 76091 - 95 / + 2 02 224 78072 - 73  
 Fax: +2 02 224 78075  
 E-Mail: adelzaki@unimaregypt.com

**Ethiopia**

Forever plc  
Kebele 2,754, BP 4806,  
Addis Ababa, Ethiopia  
Tel: +251 111 560 600, +251 111 560 600  
E-Mail: foreverplc@ethionet.et

**Nigeria**

C. Woermann Ltd.  
P.O. Box 318  
6, Badejo Kalesanwo Street  
Matori Industrial Estate  
Lagos, Nigeria  
Tel: +234 17 736 498, +234 17 730 904  
E-Mail: d.kornemann@woermann-nigeria.com

**Republic of South Africa****Customer service**

Hotline: (011) 6519600

**Gauteng – BSC Service Centre**

35 Roper Street, New Centre  
Johannesburg  
Tel.: (011) 4939375  
Fax: (011) 4930126  
E-Mail: bsctools@icon.co.za

**KZN – BSC Service Centre**

Unit E, Almar Centre  
143 Crompton Street  
Pinetown  
Tel.: (031) 7012120  
Fax: (031) 7012446  
E-Mail: bsc.dur@za.bosch.com

**Western Cape – BSC Service Centre**

Democracy Way, Prosperity Park  
Milnerton  
Tel.: (021) 5512577  
Fax: (021) 5513223  
E-Mail: bsc@zsd.co.za

**Bosch Headquarters**

Midrand, Gauteng  
Tel.: (011) 6519600  
Fax: (011) 6519880  
E-Mail: rbsa-hq.pts@za.bosch.com

**Transport**

The contained lithium-ion batteries are subject to the Dangerous Goods Legislation requirements. The user can transport the batteries by road without further requirements.

When being transported by third parties (e.g.: air transport or forwarding agency), special requirements on packaging and labelling must be observed. For preparation of the item being shipped, consulting an expert for hazardous material is required.

Dispatch batteries only when the housing is undamaged. Tape or mask off open contacts and pack up the battery in such a manner that it cannot move around in the packaging. Please also observe possibly more detailed national regulations.

**Disposal**

The machine, rechargeable batteries, accessories and packaging should be sorted for environmental-friendly recycling.

Do not dispose of power tools and batteries/rechargeable batteries into household waste!

**Battery packs/batteries:****Li-ion:**

Please observe the instructions in section "Transport", page 13.

Subject to change without notice.

**中文****安全规章****电动工具通用安全警告**

**警告！** 阅读所有警告和所有说明！不遵照以下警告和说明会导致电击、着火和/或严重伤害。

**保存所有警告和说明书以备查阅。**

在所有下列的警告中术语“电动工具”指市电驱动（有线）电动工具或电池驱动（无线）电动工具。

**工作场地的安全**

- ▶ **保持工作场地清洁和明亮。** 混乱和黑暗的场地会引发事故。
- ▶ **不要在易爆环境，如有易燃液体、气体或粉尘的环境下操作电动工具。** 电动工具产生的火花会点燃粉尘或气体。
- ▶ **让儿童和旁观者离开后操作电动工具。** 注意力不集中会使操作者失去对工具的控制。

**电气安全**

- ▶ **电动工具插头必须与插座相配。绝不能以任何方式改装插头。需接地的电动工具不能使用任何转换插头。** 未经改装的插头和相配的插座将减少电击危险。
- ▶ **避免人体接触接地表面，如管道、散热片和冰箱。** 如果你身体接地会增加电击危险。
- ▶ **不得将电动工具暴露在雨中或潮湿环境中。** 水进入电动工具将增加电击危险。
- ▶ **不得滥用电线。绝不能用电线搬运、拉动电动工具或拔出其插头。使电线远离热源、油、锐边或运动部件。** 受损或缠绕的软线会增加电击危险。

## 14 | 中文

- ▶ 当在户外使用电动工具时，使用适合户外使用的软接电线。适合户外使用的软电线将减少电击危险。
- ▶ 如果在潮湿环境下操作电动工具是不可避免的，应使用剩余电流动作保护器（RCD）。使用 RCD 可减少电击危险。

## 人身安全

- ▶ 保持警觉，当操作电动工具时关注所从事的操作并保持清醒。当你感到疲倦，或在有药物、酒精或治疗反应时，不要操作电动工具。在操作电动工具时瞬间的疏忽会导致严重人身伤害。
- ▶ 使用个人防护装置。始终佩戴护目镜。安全装置，诸如适当条件下使用防尘面具、防滑安全鞋、安全帽、听力防护等装置能减少人身伤害。
- ▶ 防止意外起动。确保开关在连接电源和 / 或电池盒、拿起或搬运工具时处于关断位置。手指放在已接通电源的开关上或开关处于接通时插入插头可能会导致危险。
- ▶ 在电动工具接通之前，拿掉所有调节钥匙或扳手。遗留在电动工具旋转零件上的扳手或钥匙会导致人身伤害。
- ▶ 手不要伸展得太长。时刻注意立足点和身体平衡。这样在意外情况下能很好地控制电动工具。
- ▶ 着装适当。不要穿宽松衣服或佩戴饰品。让衣服、手套和头发远离运动部件。宽松衣服、配饰或长发可能会卷入运动部件中。
- ▶ 如果提供了与排屑、集尘设备连接的装置，要确保他们连接完好且使用得当。使用这些装置可减少尘屑引起的危险。

## 电动工具使用和注意事项

- ▶ 不要滥用电动工具，根据用途使用适当的电动工具。选用适当设计的电动工具会使你工作更有效、更安全。
- ▶ 如果开关不能接通或关断工具电源，则不能使用该电动工具。不能用开关来控制的电动工具是危险的且必须进行修理。
- ▶ 在进行任何调节、更换附件或贮存电动工具之前，必须从电源上拔掉插头和 / 或使电池盒与工具脱离。这种防护性措施将减少工具意外起动的危险。
- ▶ 将闲置不用的电动工具贮存在儿童所及范围之外，并且不要让不熟悉电动工具或对这些说明不了解的人操作电动工具。电动工具在未经培训的用户手中是危险的。
- ▶ 保养电动工具。检查运动件是否调整到位或卡住，检查零件破损情况和影响电动工具运行的其他状况。如有损坏，电动工具应在使用前修理好。许多事故由维护不良的电动工具引发。
- ▶ 保持切削刀具锋利和清洁。保养良好的有锋利切削刃的刀具不易卡住而且容易控制。

- ▶ 按照使用说明书，考虑作业条件和进行的作业来使用电动工具、附件和工具的刀头等。将电动工具用于那些与其用途不符的操作可能会导致危险。

## 电池式工具使用和注意事项

- ▶ 只用制造商规定的充电器充电。将适用于某种电池盒的充电器用到其他电池盒时会发生着火危险。
- ▶ 只有在配有专用电池盒的情况下才使用电动工具。使用其他电池盒会发生损坏和着火危险。
- ▶ 当电池盒不用时，将它远离其他金属物体，例如回形针、硬币、钥匙、钉子、螺钉或其他小金属物体，以防一端与另一端连接。电池端部短路会引起燃烧或火灾。
- ▶ 在滥用条件下，液体会从电池中溅出；避免接触。如果意外碰到了，用水冲洗。如果液体碰到了眼睛，还要寻求医疗帮助。从电池中溅出的液体会发生腐蚀或燃烧。

## 维修

- ▶ 将你的电动工具送交专业维修人员，使用同样的备件进行修理。这样将确保所维修的电动工具的安全性。

## 针对圆刀锯的安全规章

## 锯割时

- ▶ 危险：不可以把手放在锯割范围内以及锯片上。
- ▶ 不可以把手放在工件的下面。防护罩无法保护摆在工件下面的手。
- ▶ 根据工件的厚度设定锯深。不可以让锯齿完全突出于工件之外。
- ▶ 不可以用手握持待锯割的工件，也不可以把工件放在腿上。工件必须固定在稳固的夹具上。固定好工件之后，不仅可以防止身体意外接触锯片，并且可以降低锯片被卡住或操纵失控的情况。
- ▶ 在切削工具可能触及暗线之处进行操作时，要通过绝缘握持面来握持电动工具。碰到带电导线会使工具外露的金属零件带电从而使操作者受到电击。
- ▶ 纵割时必须使用档块或直角导引。如此不仅可以增加锯割的准确度，而且可以降低锯片被卡住的危险。
- ▶ 使用有合适的接头孔（例如菱形或圆形）而且尺寸正确的锯片。锯片如果无法配合电锯的接头，转动时会歪斜并且会造成操作失控。
- ▶ 切勿使用已经损坏或不合适的锯片垫圈、锯片螺钉。锯片垫圈和锯片螺钉，都是针对各别圆刀锯而特别设计的，以便能够提高工作效率和确保操作安全。
- ▶ 反弹 - 原因和相关的规章
  - 反弹是因锯片被卡住，夹住或安装时调整错误的而产生的突然反作用力。发生反弹时失控的锯片会往上翘起并且从工件中滑出，然后朝着操作者移动；

- 如果锯片被卡住或被夹在自动合拢的锯缝中，锯片会被挡死而马达的传动力会让电锯朝着操作者的方向推弹；
- 如果锯片在锯缝中歪斜了或安装时调整错误，锯片后缘的锯齿会卡在工件的表面，并导致锯片从锯缝中被抛出，而让电锯朝着操作者的方向弹跳。反弹是因为操作错误和滥用电锯所造成。采取以下的适当防备措施即可防止反弹。
- ▶ **握紧电锯，将手臂置于一个可以阻拦反弹力的位置。始终将锯片保持在一侧，绝不要将锯片与身体置于一条线上。**反弹时，电锯可能会往回弹跳，尽管如此，操作者可以通过适当的防备措施克服回弹力。
- ▶ **如果锯片被夹住了或在工作中途断裂了要马上关闭电锯，静待插在工件中的锯片完全停止转动后再将其提出。只要锯片仍然继续转动，便不可尝试着从工件中拔出电锯，或向后抽拉电锯，这样可能导致机器反弹。**找出造成锯片被夹住的原因，并设法排除故障因素。
- ▶ **重新开动仍然插在工件中的电锯时，必须先把锯片调整在锯缝的中心，并检查是否仍有锯齿钩住工件。**如果锯片仍被夹住，重新开动机器后，锯片可能从工件中滑出或者引起机器反击。
- ▶ **固定好大的板块，以防止因为锯片被夹住而引起反击。**大的板块比较重容易向下弯曲，因此要在板子的两侧安排支撑，在锯线的附近和板的边缘也都必须加装支撑。
- ▶ **不可使用已经变钝或受损的锯片。**锯齿如果已经变钝或位置不正确，容易因为锯缝过窄而提高锯割时的摩擦，不仅锯片易被夹住而且也会造成反击。
- ▶ **锯割之前必须收紧锯深调整杆和锯角调整杆。**如果锯割时设定好的锯深和锯角突然改变了，可能导致锯片被夹住并且引起反击。
- ▶ **在现有的墙壁或其他盲区上锯割时要特别小心。**潜入工件中的锯片，可能在进行锯割时因为接触了隐藏的物体而被堵死，并进而造成反弹。

#### 下防护罩的功能

- ▶ **使用机器之前先检查下防护罩是否能正确关闭。切勿使用下防护罩无法自由移动、无法马上关闭的机器。千万不可以夹住或捆住被打开的下防护罩。**如果不小心让电锯掉落地面，下防护罩可能因为碰撞而弯曲变形。使用推杆打开防护罩，检查防护罩是否能自由移动。在任何锯割角度和锯割深度，防护罩都不能和锯片或其它的机件产生摩擦。
- ▶ **检查下防护罩的弹簧是否运作正常。如果下防护罩和弹簧的功能失常，则必须在使用之前把电锯送给专业人员维修。**损坏的零件和残留在防护罩上的树脂或锯屑，都会影响下防护罩的正常运作功能。

- ▶ **仅在进行特殊锯割，如“嵌入式锯切和角度锯切”时，才手动打开下部保护罩。用回拉杆打开下部防护罩；一旦锯片咬入工件便松开回拉杆。**其他锯割操作时，下部防护罩会自动工作。
- ▶ **确定下防护罩已经完全遮盖住锯片后，才可以把圆刀锯放在工作台或地板上。**如果防护罩未关闭而且锯片仍继续惯性转动，电锯会沿这锯线滑动并割坏所有与它接触的物品。请注意关机后锯片的惯性转动时间。

#### 其它的警告事项

- ▶ **勿将手掌放入锯屑排口中。**伸入锯屑排口中的手容易被转动的机件割伤。
- ▶ **勿以仰头的姿势操作电锯。**因为采用这种工作姿势无法正确控制电动工具。
- ▶ **使用合适的侦测器，以便找出隐藏着的电源线的位置。或者向当地的供电单位索取相关资料。**钻穿电线会造成火灾并遭受电击。损坏瓦斯管会引起爆炸。如果水管被刺穿了会导致财物损失。
- ▶ **本电动工具不适合固定式操作。**不可以把本机器固定在锯台上使用。
- ▶ **不可以使用高速钢（HSS）制造的锯片。**此类锯片容易折断。
- ▶ **不可以锯割铁族金属。**炽热的废屑可能点燃吸尘装备。
- ▶ **固定好工件。**使用固定装置或老虎钳固定工件，会比用手紧握工件更牢固。
- ▶ **等待电动工具完全静止后才能够放下机器。**机器上的工具可能在工作中被夹住，而令您无法控制电动工具。
- ▶ **切勿打开蓄电池。**可能造成短路。



保护蓄电池免受高温（例如长期日照），火焰，水和湿气的侵害。有爆炸的危险。

- ▶ **如果蓄电池损坏了，或者未按照规定使用蓄电池，蓄电池中会散发出有毒蒸汽。工作场所必须保持空气流通，如果身体有任何不适必须马上就医。**蓄电池散发的蒸汽会刺激呼吸道。
- ▶ **本蓄电池仅搭配您的博世产品使用。**唯有如此才能避免造成蓄电池过载危险。
- ▶ **钉子、螺丝刀等尖锐物品或外力作用可能会损坏电池。**有可能出现内部短路并导致电池燃烧、冒烟、爆炸或过热。

## 产品和功率描述



阅读所有的警告提示和指示。如未确实遵循警告提示和指示，可能导致电击，火灾并且 / 或其他的严重伤害。

## 16 | 中文

**按照规定使用机器**

本电动工具适合在木材上进行纵向和横向的直线切割与斜角锯割。锯割时机器必须紧贴在工件上。

本电动工具的照明灯用于电动工具工作范围周围的照明，不适用于家庭房间照明。

**插图上的机件**

机件的编号和电动工具详解图上的编号一致。

- 1 蓄电池
- 2 蓄电池的解锁按键
- 3 起停开关的防止起动装置
- 4 起停开关
- 5 内六角扳手
- 6 主轴锁定键
- 7 底座
- 8 平行挡块的固定螺丝
- 9 斜切角的刻度
- 10 设定斜切角的蝶翼螺丝
- 11 45 度角的切割记号
- 12 0 度角的切割记号
- 13 防护罩
- 14 手柄（绝缘握柄）
- 15 蓄电池的充电电量指示灯
- 16 温度监控功能 / 防过载功能的指示灯
- 17 设定锯深的蝶翼螺丝
- 18 锯深刻度
- 19 活动防护罩的调整杆
- 20 电锯主轴
- 21 活动防护罩
- 22 接头法兰
- 23 圆刀锯片
- 24 固定法兰
- 25 固定螺丝
- 26 灯 "PowerLight"
- 27 斜角调整的参考刻度
- 28 吸管接头的固定螺丝
- 29 吸管转接头\*
- 30 吸管\*
- 31 锯深调整的参考刻度
- 32 平行挡块 / 导引轨转接头\*
- 33 弓形夹钳组\*
- 34 导引轨\*

\* 图表或说明上提到的附件，并不包含在基本的供货范围中。  
本公司的附件清单中有完整的附件供应项目。

**技术数据**

手提圆刀锯		GKS 12 V-Li
物品代码		3 601 FA1 0..
额定电压	伏特 =	12
无负载转速	次 / 分	1400
最大锯深		
- 在 0 度斜角	毫米	26,5
- 在 45 度斜角	毫米	17,0
主轴固定装置		●
底座尺寸	毫米	167 x 88
最大锯片直径	毫米	85
最小锯片直径	毫米	85
最大锯片体厚度	毫米	0,7
最大锯齿厚度 / 锯齿斜度	毫米	1,1
最小锯齿厚度 / 锯齿斜度	毫米	1,0
接头孔径	毫米	15
重量符合 EPTA-Procedure 01:2014	公斤	1,4
允许的环境温度		
- 充电时	°C	0...+45
- 运行* 和储藏时	°C	-20...+50
建议使用的充电电池		GBA 12V...0-..
推荐的充电器		GAL 12.. CV
* 温度 < 0 °C 时功率受限 使用附带的蓄电池所测得的技术数据。		

**安装****为蓄电池充电**

► **只能选用附件页上提供的充电器。** 此充电器是电动工具上的锂离子蓄电池的专用充电器。

**指示：** 蓄电池在交货时只完成部分充电。首度使用电动工具之前，必须先充足蓄电池的电以确保蓄电池的功率。

可以随时为锂离子蓄电池充电，不会缩短电池的使用寿命。如果充电过程突然中断，也不会损坏电池。

本锂离子蓄电池配备了“电子充电室保护装置 (ECP)”，可以防止蓄电池过度放电。电池的电量如果用尽了，保护开关会自动关闭电动工具：安装在机器上的工具会停止转动。

► **电动工具被关闭之后，切勿继续按住起停开关。**  
可能损坏电池。

请注意有关作废处理的规定。

**取出蓄电池**

本蓄电池 1 具备了双重锁定。即使不小心触动了蓄电池的解锁按键 2，蓄电池也不会从机器中掉落出来。固定弹簧会把蓄电池夹紧在机器中。



拆卸蓄电池 1 时得先按解锁按键 2 接著再向后抽拉便可以从中取出蓄电池。**不可以强制拉出蓄电池。**

#### 蓄电池的充电电量指示灯

三个绿色的蓄电池充电电量指示灯 15 能够显示蓄电池 1 的现有电量。基于安全的考虑，务必在电动工具静止时 才能够检查蓄电池的电量。

把起停开关 4 完全推到底或推到一半，即可以显示蓄电池目前的电量。

LED	容量
3 个绿灯持续亮着	≥2/3
2 个绿灯持续亮着	≥1/3
1 个绿灯持续亮着	<1/3
1 个绿灯闪烁	备用电量

按下起停开关 4 之后如果指示灯没有反应，表示 蓄电池已经损坏了，必须更换电池。

#### 安装 / 更换圆刀锯片

- ▶ 为电动工具做任何的维修工作之前，务必先取出蓄电池。
- ▶ 安装锯片时**务必**穿戴防护手套。手如果接触锯片可能被割伤。
- ▶ **只能使用符合本使用说明书所提供的技术参数的锯片。**
- ▶ **千万不可以使用研磨片充当刀具。**

#### 选择锯片

使用说明书的末页有本公司推荐的锯片列表清单。

#### 拆卸锯片（参考插图 A）

更换刀具时最好以发动机壳朝下的方式竖起电动工具。

- 按下主轴锁定键 6 並将其按住。
- ▶ **等待电锯主轴停止转动后才能够按下主轴锁定键 6。** 否则可能损坏电动工具。
- 使用六角扳手 5 朝着方向 ① 转出固定螺丝 25。
- 收回活动防护罩 21 並握牢防护罩。
- 从电锯主轴 20 上取出固定法兰 24 和圆刀锯片 23。

#### 安装锯片（参考插图 A）

更换刀具时最好以发动机壳朝下的方式竖起电动工具。

- 清洁圆刀锯片 23 和所有即将使用的固定零件。
- 收回活动防护罩 21 並握牢防护罩。
- 把锯片 23 安装在接头法兰 22 上。锯齿的锯割方向（锯片上的箭头方向），必须和活动防护罩 21 上的 箭头指向一致。
- 装上固定法兰 24，并朝着转向 ② 拧入固定螺丝 25。注意 接头法兰 22 和固定法兰 24 的正确安装位置。

- 按下主轴锁定键 6 並将其按住。
- 使用六角扳手 5 朝着转向 ② 收紧固定螺丝 25。此时必须使用 6-9 牛顿米的拧紧扭力，相当於用手旋紧螺丝后再加转 1/4 圈。

#### 吸锯尘 / 吸锯屑

▶ 为电动工具做任何的维修工作之前，务必先取出蓄电池。

▶ 含铅的颜料以及某些木材、矿物和金属的加工废尘有害健康。机器操作者或者工地附近的人如果接触、吸入这些废尘，可能会有过敏反应或者感染呼吸道疾病。

某些尘埃（例如加工橡木或山毛榉的废尘）可能致癌，特别是和处理木材的添加剂（例如木材的防腐剂等）结合之后。只有经过专业训练的人才能够加工含石棉的物料。

- 为达到很好的吸尘效果，请将合适的吸尘器和这个电动工具搭配使用。
- 工作场所要保持空气流通。
- 最好佩戴 P2 滤网等级的口罩。

请留心并遵守贵国和加工物料有关的法规。

#### 安装吸管接头（参考插图 B）

使用固定螺丝 28 把吸管接头 29 固定在底座 7 上。吸管接头 29 上可以连接直径 19 毫米的吸尘软管。

- ▶ 安装了吸管接头后**务必**要在接头上连接吸尘装备。否则可能造成机器的排尘管道阻塞。
- ▶ **不可以**在吸管接头上安装集尘袋。这样会造成机器的排尘系统阻塞。

定期清洁吸管接头 29 以确保最佳的吸尘效果。

#### 外接其他的吸尘器

在吸管 30 上安装吸尘器（附件）。在本使用说明书的末页 有各种可配合使用的吸尘器的列表清单。

根据工件的物料选择合适的吸尘装置。

吸尘可能危害健康，可能导致癌症或干燥的废尘时，务必使用特殊的吸尘装置。

## 操作

#### 操作功能

▶ 为电动工具做任何的维修工作之前，务必先取出蓄电池。

#### 调整锯深（参考插图 C）

▶ 根据工件的厚度设定锯深。不可以让锯齿完全突出於工件之外。

拧松蝶翼螺丝 17。缩小锯深时要将电动工具拉离底座 7。加大锯深时要将电动工具推向底座 7。在锯深刻度 18 上调整好需要的深度。再度拧紧蝶翼螺丝 17。

## 18 | 中文

调整锯深时使用参考刻度 **31**，它位于锯深刻度尺 **18** 侧面。

**调整斜角角度**

最好以防护罩 **13** 朝下的方式竖起电动工具。

拧松蝶翼螺丝 **10**。侧移锯片。参考刻度 **9** 来调整需要的锯角。再度拧紧蝶翼螺丝 **10**。

调整斜角时使用参考刻度 **27**（支架上边缘）。

**指示：**斜锯时的实际锯深，会小于锯深刻度尺 **18** 上的标示值。

**锯割记号**

0 度角的锯割记号 **12**，标示了直角锯割时的锯片位置。45 度角的锯割记号 **11**，标示了 45 度角斜锯时的锯片位置。

**操作机器****安装蓄电池**

▶ **只能使用博世原厂的锂离子蓄电池，电池的电压必须和机器铭牌上提供的电压一致。** 使用其它厂牌的蓄电池，可能导致意外伤害并造成火灾。

把蓄电池 **1** 从前端推入电动工具的手柄中。必须推压至无法看见红色的条纹为止，并检查蓄电池是否已经正确地卡牢了。

**开动 / 关闭**

**开动** 电动工具，先按下防止起动装置 **3**，接着再按下起停开关 **4**。

放开起停开关 **4** 便可以**关闭**电动工具。

**指示：**基于安全的顾虑，起停开关 **4** 无法被锁定。所以操作机器时必须持续地按住开关。

**制止惯性转动功能**

机器内部配备了制动装置，可以缩短关闭电动工具之后锯片的惯性转动时间。

**温度监控功能 / 防过载功能的指示灯**

红色的指示灯 **16** 可以帮助您，预防蓄电池超温和保护马达不会超载。

如果 LED 指示灯 **16** **持续亮着红灯**，代表蓄电池的温度太高，而且电动工具会自动关闭。

- 关闭电动工具。
- 继续操作之前要先让蓄电池冷却。

**闪烁** LED 指示灯 **16** **红光**，代表电动工具被卡住了，此时电动工具会自动关闭。

从工件中拉出电动工具。

一旦排除了卡止状况，电动工具会继续工作。

**防止过度放电装置**

本锂离子蓄电池配备了“电子充电室保护装置 (ECP)”，可以防止蓄电池过度放电。电池的电量如果用尽了，保护开关会自动关闭电动工具：安装在机器上的工具会停止转动。

**开启工作灯**

轻按或是把起停开关 **4** 按到底时灯 **26** 会亮起。在照明状况不佳的环境中可以借此照亮操作位置。

**有关操作方式的指点**

保护锯片免受碰撞和敲击。

操作机器时必须施力均匀，并朝着切剪的方向轻轻推动工具。推动机器时如果用力过猛，不但会明显降低刀片的使用寿命，而且可能损坏电动工具。

锯割功率和锯割的效果，基本上是由锯片的状况和锯片上锯齿的形状决定。因此只能使用尖锐和适合工件材料的锯片。

**锯割木材**

根据木材的种类、木材的品质以及锯割的方向（顺著木纹锯割或与木纹交叉锯割）选择合适的锯片。

顺著木纹锯割红杉时会产生长的螺旋形木屑。

山毛榉尘和橡木尘会严重危害健康，因此加工上述工件时务必使用吸尘装置。

**使用平行挡块锯割（参考插图 D）**

使用平行挡块 **32** 便能够沿著工件边缘进行精确的锯割，或者锯割尺寸相同的木条。

借助平行挡块 / 导引轨转接头的导尺上的刻度，在底座的外边缘上设置所需的锯宽。（参考插图 D）

**使用辅助挡块锯割（参考插图 F）**

分割大的工件或锯割直边时，可以用弓形夹钳把木板或木条固定在工件上充当辅助挡块，接着再沿著辅助挡块移动底座。

**使用导引轨锯割（参考插图 E）**

借助导引轨 **34** 可以锯割直线。

**指示：**导引轨 **34** 只能在进行直角锯割时使用。进行斜角锯割时可能损坏导引轨 **34**。

导引轨上有附著层，不仅能够止滑而且可以保护工件表面。导引轨表面的护漆可以帮助电动工具在轨上滑行。

用合适的夹具，例如螺旋夹钳，将导引轨 **34** 固定到工件上。将电动工具和已安装的导引轨转接头装到导引轨上。

**指示：**将平行挡块 / 导引轨转接头 **32** 安装到电动工具上，博世标志朝下。

**导引轨 34 不可以突出于工件的锯割侧的边缘。**

开动电动工具，顺着锯线施力均匀地轻推电动工具。

**操作平行挡块 / 导引轨转接头和吸尘软管**

首先安装吸管接头 **29** 及吸尘软管 **30**，然后安装平行挡块 / 导引轨转接头 **32**。

**指示：**只能用规定的螺丝固定平行挡块 / 导引轨转接头 **32** 和吸管接头 **29**！

### 如何正确地使用蓄电池

保护蓄电池，避免湿气和水分渗入。

蓄电池必须储存在摄氏 -20 到 50 度的环境中。夏天不可以把蓄电池搁置在汽车中。

不时地使用柔软、清洁而且干燥的毛刷清洁蓄电池的通气孔。

充电后如果蓄电池的使用时间明显缩短，代表蓄电池已经损坏，必须更换新的蓄电池。

请注意有关作废处理的规定。

## 维修和服务

### 维修和清洁

▶ **在电动工具上进行任何维护的工作（例如维修，更换工具等等），以及搬运、保存电动工具之前都必须从机器中取出蓄电池。** 不小心开动了起停开关可能造成伤害。

▶ **电动工具和通风间隙都必须保持清洁，这样才能提高工作品质 and 安全性。**

活动防护罩必须能够无阻地摆动，并且要能够自动关闭。因此活动防护罩的四周要随时保持清洁。可以使用压缩空气吹除灰尘和木屑，也可以用毛刷清除污垢。

如果锯片未上保护漆，可以在锯片上涂抹一层薄薄的无酸润滑油以预防锯片生锈。使用机器之前必须清除油层，否则会在木材上留下污斑。

锯片如果沾了残馀的树脂和胶水会影响锯割效果。因此使用机器后必须马上清洁锯片。

### 顾客服务处和顾客咨询中心

本公司顾客服务处负责回答有关本公司产品的修理、维护和备件的问题。以下的网页中有爆炸图和备件的资料：

[www.bosch-pt.com](http://www.bosch-pt.com)

博世顾客咨询团队非常乐意为您解答有关本公司产品及附件的问题。

如需查询和订购备件，请务必提供产品型号铭牌上的 10 位数货号。

有关保证，维修或更换零件事宜，请向合格的经销商查询。

#### 中国大陆

博世电动工具（中国）有限公司

中国 浙江省 杭州市

滨江区滨康路 567 号

邮政编码：310052

免费服务热线：4008268484

传真：(0571) 87774502

电邮：[contact.ptcn@cn.bosch.com](mailto:contact.ptcn@cn.bosch.com)

[www.bosch-pt.com.cn](http://www.bosch-pt.com.cn)

羅伯特·博世有限公司

香港北角英皇道 625 號 21 樓

客戶服務熱線：+852 2101 0235

傳真：+852 2590 9762

電郵：[info@hk.bosch.com](mailto:info@hk.bosch.com)

網站：[www.bosch-pt.com.hk](http://www.bosch-pt.com.hk)

### 制造商地址：

Robert Bosch Power Tools GmbH

羅伯特·博世电动工具有限公司

70538 Stuttgart / GERMANY

70538 斯图加特 / 德国

### 搬运


随着机器一起供货的锂离子蓄电池必须受危险物品法规范。使用者无须另外使用保护包装便可以运送该蓄电池。

但是如果将它交由第三者运送（例如：寄空运或委托运输公司）则使用特殊的包装和标示。此时必须向危险物品专家请教有关寄送危险物品的相关事宜。

确定蓄电池的外壳未受损后，才可以寄送蓄电池。粘好未加盖的触点并包装好蓄电池，不可以让蓄电池在包装中晃动。

必要时也得注意各国有关的法规。

### 处理废弃物

 必须以符合环保的方式，回收再利用损坏的电动工具、蓄电池、附件和废弃的包装材料。

不可以把电动工具和蓄电池 / 电池丢入一般的家庭垃圾中！

### 充电电池 / 电池：




锂离子：  
请注意“搬运”段落中的指示，  
页 19。

保留修改权。

## 中文

## 安全規章

### 電動工具通用安全警告

 **警告** 閱讀所有警告和所有說明。不遵照以下警告和說明會導致電擊、著火和 / 或嚴重傷害。

保存所有警告和說明書以備查閱。

## 20 | 中文

在所有下列的警告中術語“電動工具”指市電驅動（有線）電動工具或電池驅動（無線）電動工具。

### 工作場地的安全

- ▶ 保持工作場地清潔和明亮。混亂和黑暗的場地會引發事故。
- ▶ 不要在易爆環境，如有易燃液體、氣體或粉塵的環境下操作電動工具。電動工具產生的火花會點燃粉塵或氣體。
- ▶ 讓兒童和旁觀者離開後操作電動工具。注意力不集中會使你失去對工具的控制。

### 電氣安全

- ▶ 電動工具插頭必須與插座相配。絕不能以任何方式改裝插頭。需接地的電動工具不能使用任何轉換插頭。未經改裝的插頭和相配的插座將減少電擊危險。
- ▶ 避免人體接觸接地表面，如管道、散熱片和冰箱。如果你身體接地會增加電擊危險。
- ▶ 不得將電動工具暴露在雨中或潮濕環境中。水進入電動工具將增加電擊危險。
- ▶ 不得濫用電線。絕不能用電線搬運、拉動電動工具或拔出其插頭。使電線遠離熱源、油、銳邊或運動部件。受損或纏繞的軟線會增加電擊危險。
- ▶ 當在戶外使用電動工具時，使用適合戶外使用的外接軟線。適合戶外使用的軟線，將減少電擊危險。
- ▶ 如果在潮濕環境下操作電動工具是不可避免的，應使用剩餘電流動作保護器（RCD）。使用 RCD 可減少電擊危險。

### 人身安全

- ▶ 保持警覺，當操作電動工具時關注所從事的操作並保持清醒。當你感到疲倦，或在有藥物、酒精或治療反應時，不要操作電動工具。在操作電動工具時瞬間的疏忽會導致嚴重人身傷害。
- ▶ 使用個人防護裝置。始終佩戴護目鏡。安全裝置，諸如適當條件下使用防塵面具、防滑安全鞋、安全帽、聽力防護等裝置能減少人身傷害。
- ▶ 防止意外起動。確保開關在連接電源和 / 或電池盒、拿起或搬運工具時處於關斷位置。手指放在已接通電源的開關上或開關處於接通時插入插頭可能會導致危險。
- ▶ 在電動工具接通之前，拿掉所有調節鑰匙或扳手。遺留在電動工具旋轉零件上的扳手或鑰匙會導致人身傷害。
- ▶ 手不要伸展得太長。時刻注意立足點和身體平衡。這樣在意外情況下能很好地控制電動工具。
- ▶ 著裝適當。不要穿寬鬆衣服或佩戴飾品。讓你的衣服、手套和頭髮遠離運動部件。寬鬆衣服、佩飾或長髮可能會捲入運動部件中。

- ▶ 如果提供了與排屑、集塵設備連接用的裝置，要確保他們連接完好且使用得當。使用這些裝置可減少塵屑引起的危險。

### 電動工具使用和注意事項

- ▶ 不要濫用電動工具，根據用途使用適當的電動工具。選用適當設計的電動工具會使你工作更有效、更安全。
- ▶ 如果開關不能接通或關斷工具電源，則不能使用該電動工具。不能用開關來控制的電動工具是危險的且必須進行修理。
- ▶ 在進行任何調節、更換附件或貯存電動工具之前，必須從電源上拔掉插頭和 / 或使電池盒與工具脫開。這種防護性措施將減少工具意外起動的危險。
- ▶ 將閒置不用的電動工具貯存在兒童所及範圍之外，並且不要讓不熟悉電動工具或對這些說明不瞭解的人操作電動工具。電動工具在未經培訓的用戶手中是危險的。
- ▶ 保養電動工具。檢查運動件是否調整到位或卡住，檢查零件破損情況和影響電動工具運行的其他狀況。如有損壞，電動工具應在使用前修理好。許多事故由維護不良的電動工具引發。
- ▶ 保持切削刀具鋒利和清潔。保養良好的有鋒利切削刃的刀具不易卡住而且容易控制。
- ▶ 按照使用說明書，考慮作業條件和進行的作業來使用電動工具、附件和工具的刀頭等。將電動工具用於那些與其用途不符的操作可能會導致危險。

### 電池式工具使用和注意事項

- ▶ 只用製造商規定的充電器充電。將適用於某種電池盒的充電器用到其他電池盒時會發生著火危險。
- ▶ 只有在配有專用電池盒的情況下才使用電動工具。使用其他電池盒會發生損壞和著火危險。
- ▶ 當電池盒不用時，將它遠離其他金屬物體，例如回形針、硬幣、鑰匙、釘子、螺釘或其他小金屬物體，以防一端與另一端連接。電池端部短路會引起燃燒或火災。
- ▶ 在濫用條件下，液體會從電池中濺出，避免接觸。如果意外碰到了，用水沖洗。如果液體碰到了眼睛，還要尋求醫療幫助。從電池中濺出的液體會發生腐蝕或燃燒。

### 檢修

- ▶ 將你的電動工具送交專業維修人員，必須使用同樣的備件進行更換。這樣將確保所維修的電動工具的安全性。

### 針對圓刀鋸的安全規章

#### 鋸割時

- ▶ 危險：雙手禁止伸入鋸割區，並且應與鋸片保持距離。

- ▶ **不可以把手放在工件的下面。** 防護罩無法保護擺在工件下面的手。
- ▶ **根據工件的厚度設定鋸深。** 不可以讓鋸齒完全突出於工件之外。
- ▶ **不可以用手握持待鋸割的工件，也不可以把工件放在腿上。** 工件必須固定在穩固的夾具上。固定好工件之后，不僅可以防止身體意外接觸鋸片，並且可以降低鋸片被卡住或操縱失控的情況。
- ▶ **如果安裝在此電動工具上的切割刀具可能會在作業期間割到暗藏的電線，請務必從電動工具握把上的絕緣處來握住該工具。** 切割刀具萬一接觸到帶電導線，將連帶使電動工具上的金屬部件帶電，進而導致操作者觸電。
- ▶ **縱割時必須使用檔塊或直角導引。** 如此不僅可以增加鋸割的準確度，而且可以降低鋸片被卡住的危險。
- ▶ **請使用定位孔規格吻合（例如星形或圓形）而且尺寸正確的鋸片。** 鋸片如果與電鋸的安裝接頭並不匹配，旋轉時便會抖動歪斜，進而導致電鋸失控。
- ▶ **切勿使用已經損壞或不合適的鋸片墊圈、鋸片螺釘。** 鋸片墊圈和鋸片螺釘，都是針對各別圓刀鋸而特別設計的，以便能夠提高工作效率和確保操作安全。
- ▶ **反彈 - 原因和相關的安全規章**
  - 反彈是因鋸片被卡住，夾住或安裝時調整錯誤的而產生的突然反作用力。發生反彈時失控的鋸片會往上翹起並且從工件中滑出，然後朝著操作者移動；
    - 如果鋸片被卡住或被夾在自動合攏的鋸縫中，鋸片會被擋死而馬達的傳動力會讓電鋸朝著操作者的方向彈推；
    - 如果鋸片在鋸縫中歪斜了或安裝時調整錯誤，鋸片後緣的鋸齒會卡在工件的表面，並導致鋸片從鋸縫中被拋出，而讓電鋸朝著操作者的方向彈跳。反彈是因為操作錯誤和濫用電鋸所造成。採取以下的適當防備措施即可防止反彈。
- ▶ **握穩電鋸，並將手臂調整至能夠緩衝後座力的位置。** 您應站在鋸片側面，永遠不可以讓鋸片與身體呈一直線。發生反彈時，電鋸可能會往後彈跳，對此，操作人員可適度提防以緩衝後座力。
- ▶ **如果鋸片被夾住了或在工作中途斷裂了要馬上關閉電鋸，** 靜待插在工件中的鋸片完全停止轉動后再將其提出。只要鋸片仍然繼續轉動，便不可嘗試著從工件中拔出電鋸，或向后抽拉電鋸，這樣可能導致機器反彈。找出造成鋸片被夾住的原因，並設法排除故障因素。
- ▶ **重新開動仍然插在工件中的電鋸時，必須先把鋸片調整在鋸縫的中心，並檢查是否仍有鋸齒鉤住工件。** 如果鋸片仍被夾住，重新開動機器后，鋸片可能從工件中滑出或者引起機器反擊。

- ▶ **固定好大的板塊，以防止因為鋸片被夾住而引起反擊。** 大的板塊比較重容易向下彎曲，因此要在板子的兩側安排支撐，在鋸線的附近和板的邊緣也都必須加裝支撐。
- ▶ **不可使用已經變鈍或受損的鋸片。** 鋸齒如果已經變鈍或位置不正確，容易因為鋸縫過窄而提高鋸割時的磨擦，不僅鋸片易被夾住而且也會造成反擊。
- ▶ **鋸割之前必須收緊鋸深調整桿和鋸角調整桿。** 如果鋸割時設定好的鋸深和鋸角突然改變了，可能導致鋸片被夾住並且引起反擊。
- ▶ **在現有的牆壁或其他的盲區上鋸割時要特別小心。** 潛入工件中的鋸片，可能在進行鋸割時因為接觸到隱藏的物體而被堵死，並進而造成反彈。


#### 下防護罩的功能

- ▶ **使用機器之前先檢查下防護罩是否能正確關閉。** 切勿使用下防護罩無法自由移動、無法馬上關閉的機器。千萬不可以夾住或捆住被打開的下防護罩。如果不小心讓電鋸掉落地面，下防護罩可能因為碰撞而彎曲變形。使用推桿打開防護罩，檢查防護罩是否能自由移動。在任何鋸割角度和鋸割深度，防護罩都不能和鋸片或其它的機件產生摩擦。
- ▶ **檢查下防護罩的彈簧是否運作正常。** 如果下防護罩和彈簧的功能失常，則必須在使用之前把電鋸送給專業人員維修。損壞的零件和殘留在防護罩上的樹脂或鋸屑，都會影響下防護罩的正常運作功能。
- ▶ **位於下方的防護罩應該僅於進行特殊切割時才用手打開，** 例如“切入式鋸切與切角鋸切”。利用退罩扳桿即可打開下方的防護罩，待鋸片一沉入工件內就應該立即放開此扳桿。當您執行其他任何鋸切作業時，則應讓下方防護罩自行運作。
- ▶ **確定下防護罩已經完全遮蓋住鋸片后，才可以把圓刀鋸放在工作臺或地板上。** 如果防護罩未關閉而且鋸片仍繼續慣性轉動，電鋸會沿這鋸線滑動並割壞所有與它接觸的物品。請注意關機后鋸片的慣性轉動時間。

#### 其它的警告事項

- ▶ **勿將手掌放入鋸屑排口中。** 伸入鋸屑排口中的手容易被轉動的機件割傷。
- ▶ **勿以仰頭的姿勢操作電鋸。** 因為採用這種工作姿勢無法正確控制電動工具。
- ▶ **使用合適的偵測器，** 以便找出隱藏著的電源線的位置。或者向當地的供電單位索取相關資料。鑽穿電線會造成火災並遭受電擊。損壞瓦斯管會引起爆炸。如果水管被刺穿了會導致財物損失。
- ▶ **本電動工具不適合固定式操作。** 不可以把本機器固定在鋸臺上使用。
- ▶ **不可以使用高速鋼（HSS）制造的鋸片。** 此類鋸片容易折斷。

## 22 | 中文

- ▶ **不可以鋸割鐵族金屬。** 熾熱的廢屑可能點燃吸塵裝備。
  - ▶ **固定好工件。** 使用固定裝置或老虎鉗固定工件，會比用手持握工件更牢固。
  - ▶ **等待電動工具完全靜止後才能夠放下機器。** 機器上的工具可能在工作中被夾住，而令您無法控制電動工具。
  - ▶ **切勿打開蓄電池。** 可能造成短路。
-  **保護蓄電池免受高溫（例如長期日照），火焰，水和濕氣的侵害。** 有爆炸的危險。
- ▶ **如果蓄電池損壞了，或者未按照規定使用蓄電池，蓄電池中會散發出有毒蒸汽。工作場所必須保持空氣流通，如果身體有任何不適必須馬上就醫。** 蓄電池散發的蒸汽會刺激呼吸道。
  - ▶ **請務必依您的博世產品使用正確的充電電池。** 如此才可依照產品提供過載保護。
  - ▶ **尖銳物品（例如釘子或螺絲起子）或是外力皆有可能造成充電電池損壞，進而導致內部短路而發生電池起火、冒煙、爆炸或過熱等事故。**

## 產品和功率描述



閱讀所有的警告提示和指示。如未確實遵循警告提示和指示，可能導致電擊、火災並且 / 或其他的嚴重傷害。

### 按照規定使用機器

本電動工具適合在木材上進行縱向和橫向的直線切割與斜角鋸割。鋸割時機器必須緊貼在工件上。

本電動工具的燈光是設計用於照明電動工具的工作範圍，並不適用於居家照明。

### 插圖上的機件

機件的編號和電動工具詳解圖上的編號一致。

- 1 蓄電池
  - 2 蓄電池的解鎖按鍵
  - 3 起停的防止起顫
  - 4 起停開關
  - 5 內六角扳手
  - 6 主軸鎖定鍵
  - 7 底座
  - 8 平行擋塊的固定螺栓
  - 9 斜切角的刻度
  - 10 設定斜切角的蝶翼螺絲
  - 11 45 度角的切割記號
  - 12 0 度角的切割記號
  - 13 防護罩
  - 14 手柄（絕緣握柄）
  - 15 蓄電池的充電電量指示燈
  - 16 溫度監控功能 / 防過載功能的指示燈
  - 17 設定鋸深的蝶翼螺絲
  - 18 鋸深刻度
  - 19 活動防護罩的調整桿
  - 20 電鋸主軸
  - 21 活動防護罩
  - 22 接頭法蘭
  - 23 圓刀鋸片
  - 24 固定法蘭
  - 25 固定螺絲
  - 26 燈 "PowerLight"
  - 27 斜鋸角設定的基準記號
  - 28 吸管接頭的固定螺絲
  - 29 吸管轉接頭\*
  - 30 吸管\*
  - 31 鋸深設定的基準記號
  - 32 平行擋塊 / 導軌接合器\*
  - 33 弓形夾鉗組\*
  - 34 導引軌\*
- \*圖表或說明上提到的附件，並不包含在基本的供貨範圍中。本公司的附件清單中有完整的附件供應項目。

### 技術性數據

手提圓刀鋸		GKS 12 V-Li
物品代碼		3 601 FA1 0..
額定電壓	伏特 =	12
無負載轉速	次 / 分	1400
最大鋸深		
- 在 0 度斜角	毫米	26,5
- 在 45 度斜角	毫米	17,0
主軸固定裝置		●
底座尺寸	毫米	167 x 88
最大鋸片直徑	毫米	85
最小鋸片直徑	毫米	85
最大鋸片體厚度	毫米	0,7
最大鋸齒厚度 / 鋸齒斜度	毫米	1,1
最小鋸齒厚度 / 鋸齒斜度	毫米	1,0
接頭孔徑	毫米	15
重量符合 EPTA-Procedure 01:2014	公斤	1,4
容許環境溫度		
- 充電狀態下	°C	0...+45
- 運轉時* 與存放狀態下	°C	- 20...+50

\* 溫度 < 0 °C 時，性能受限  
使用附帶的蓄電池所測得的技術數據。

**手提圓刀鋸**

GKS 12 V-Li

建議使用的充電電池 GBA 12V ...O-..

建議使用的充電器 GAL 12.. CV

\* 溫度 < 0 °C 時，性能受限  
使用附帶的蓄電池所測得的技術數據。

**安裝****為蓄電池充電**

▶ **只能選用附件頁上提供的充電器。** 此充電器是電動工具上的鋰離子蓄電池的專用充電器。

**指示：**蓄電池在交貨時只完成部分充電。首度使用電動工具之前，必須先充足蓄電池的電以確保蓄電池的功率。

可以隨時為鋰離子蓄電池充電，不會縮短電池的使用壽命。如果充電過程突然中斷，也不會損壞電池。

本鋰離子蓄電池配備了“電子充電室保護裝置 (ECP)”，可以防止蓄電池過度放電。電池的電量如果用盡了，保護開關會自動關閉電動工具；安裝在機器上的工具會停止轉動。

▶ **電動工具被關閉之後，切勿繼續按住起停開關。** 可能損壞電池。

請注意有關作廢處理的規定。

**取出蓄電池**

本蓄電池 1 具備了雙重鎖定。即使不小心觸動了蓄電池的解鎖按鍵 2，蓄電池也不會從機器中掉落出來。固定彈簧會把蓄電池夾緊在機器中。

拆卸蓄電池 1 時得先按住解鎖按鍵 2 接著再向後抽拉便可以從電動工具中取出蓄電池。**不可以強制拉出蓄電池。**

**蓄電池的充電電量指示燈**

三個綠色的蓄電池充電電量指示燈 15 能夠顯示蓄電池 1 的現有電量。基於安全的顧慮，務必在電動工具靜止時 才能夠檢查蓄電池的電量。

完全按下或者半按著起停開關 4 可以顯示蓄電池目前的電量。

LED	容量
3 個綠燈持續亮著	≥2/3
2 個綠燈持續亮著	≥1/3
1 個綠燈持續亮著	<1/3
1 個綠燈閃爍	備用電量

按下起停開關 4 之後如果指示燈沒有反應，表示蓄電池已經損壞了，必須更換電池。

**安裝 / 更換圓刀鋸片**

▶ **為電動工具做任何的維修工作之前，務必先取出蓄電池。**

▶ **安裝鋸片時務必穿戴防護手套。** 手如果接觸鋸片可能被劃傷。

▶ **只能使用符合本使用說明書所提供的技術參數的鋸片。**

▶ **千萬不可以使用研磨片充當刀具。**

**選擇鋸片**

使用說明書的末頁有本公司推薦的鋸片列表清單。

**拆卸鋸片 (參考插圖 A)**

更換刀具時最好以發動機殼朝下的方式豎起電動工具。

- 按下主軸鎖定鍵 6 並將其按住。
- ▶ **等待電鋸主軸停止轉動後才能夠按下主軸鎖定鍵 6。** 否則可能損壞電動工具。
- 使用六角扳手 5 朝著方向 ① 轉出固定螺絲 25。
- 收回活動防護罩 21 並握牢防護罩。
- 從電鋸主軸 20 上取出固定法蘭 24 和圓刀鋸片 23。

**安裝鋸片 (參考插圖 A)**

更換刀具時最好以發動機殼朝下的方式豎起電動工具。

- 清潔圓刀鋸片 23 和所有即將使用的固定零件。
- 收回活動防護罩 21 並握牢防護罩。
- 把鋸片 23 安裝在接頭法蘭 22 上。鋸齒的鋸割方向（鋸片上的箭頭方向），必須和活動防護罩 21 上的箭頭指向一致。
- 裝上固定法蘭 24，並朝著轉向 ② 擰入固定螺絲 25。注意 接頭法蘭 22 和固定法蘭 24 的正確安裝位置。
- 按下主軸鎖定鍵 6 並將其按住。
- 使用六角扳手 5 朝著轉向 ② 收緊固定螺絲 25。此時必須使用 6-9 牛頓米的擰緊扭力，相當於用手旋緊螺絲後再加轉 1/4 圈。

**吸鋸塵 / 吸鋸屑**

▶ **為電動工具做任何的維修工作之前，務必先取出蓄電池。**

▶ 含鉛的顏料以及某些木材、礦物和金屬的加工廢塵有害健康。機器操作者或者工地附近的人如果接觸、吸入這些廢塵，可能會有過敏反應或者感染呼吸道疾病。

某些塵埃（例如加工橡木或山毛櫸的廢塵）可能致癌，特別是和處理木材的添加劑（例如木材的防腐劑等）結合之後。只有經過專業訓練的人才能夠加工含石棉的物料。

- 請使用合適的吸頭搭配本電動工具，才能達到最佳吸塵範圍。
- 工作場所要保持空氣流通。
- 最好佩戴 P2 濾網等級的口罩。

請留心並遵守貴國和加工物料有關的法規。

## 24 | 中文

**安裝吸管接頭 (參考插圖 B)**

使用固定螺絲 28 把吸管接頭 29 固定在底座 7 上。吸管接頭 29 上可以連接直徑 19 毫米的吸塵軟管。

- ▶ **安裝了吸管接頭後務必要在接頭上連接吸塵裝置。**否則可能造成機器的排塵管道阻塞。
- ▶ **不可以**在吸管接頭上安裝集塵袋。這樣會造成機器的排塵系統阻塞。

定期清潔吸管接頭 29 以確保最佳的吸塵效果。

**外接其他的吸塵器**

在吸管 30 上安裝吸塵器 (附件)。在本使用說明書的末頁 有各種可配合使用的吸塵器的列表清單。

根據工件的物料選擇合適的吸塵裝置。

吸集可能危害健康, 可能導致癌症或乾燥的廢塵時, 務必使用特殊的吸塵裝置。

**操作****操作方式**

- ▶ **為電動工具做任何的維修工作之前, 務必先取出蓄電池。**

**調整鋸深 (參考插圖 C)**

- ▶ **根據工件的厚度設定鋸深。**不可以讓鋸齒完全突出於工件之外。

擰松蝶翼螺絲 17。縮小鋸深時 要將電動工具拉離底座 7。加大鋸深時 要將電動工具推向底座 7。在鋸深刻度 18 上調整好需要的深度。再度擰緊蝶翼螺絲 17。

設定鋸深時, 請利用 31 鋸深刻度尺 18 側邊的基準記號。

**調整斜角角度**

最好以防護罩 13 朝下的方式豎起電動工具。

擰松蝶翼螺絲 10。側移鋸片。參考刻度 9 來調整需要的鋸角。再度擰緊蝶翼螺絲 10。

設定斜鋸角時, 請利用基準記號 27 (固定座上緣)。

**指示:** 斜鋸時的實際鋸深, 會小於鋸深刻度尺 18 上的標示值。

**鋸割記號**

0 度角的鋸割記號 12, 標示了直角鋸割時的鋸片位置。45 度角的鋸割記號 11, 標示了 45 度角斜鋸時的鋸片位置。

**操作機器****安裝蓄電池**

- ▶ **只能使用博世原廠的鋰離子蓄電池, 電池的電壓必須和機器銘牌上提供的電壓一致。**使用其它廠牌的蓄電池, 可能導致意外傷害並造成火災。

把蓄電池 1 從前端推入電動工具的手柄中。必須推壓至無法看見紅色的條紋為止, 並檢查蓄電池是否已經正確地卡牢了。

**開動 / 關閉**

角具, 先 按下防止起顫 3, 接著 再按住起停 4。放開起停開關 4 便可以關閉電動工具。

**指示:** 基于安全的顧慮, 起停開關 4 無法被鎖定。所以操作機器時必須持續地按住開關。

**制止慣性轉動功能**

機器內部配備了制動裝置, 可以縮短關閉電動工具之後鋸片的慣性轉動時間。

**溫度監控功能 / 防過載功能的指示燈**

紅色的指示燈 16 可以幫助您, 預防蓄電池超溫和保護馬達不會超載。

如果 LED 指示燈 16 持續亮著紅燈, 代表蓄電池的溫度太高, 而且電動工具會自動關閉。

- 關閉電動工具。
- 繼續操作之前要先讓蓄電池冷卻。

**閃爍 LED 指示燈 16 紅光,**代表電動工具被卡住了, 此時電動工具會自動關閉。

從工件中拉出電動工具。

阻塞物拿掉後, 電動工具便會立刻繼續運轉。

**防止過度放電裝置**

本鋰離子蓄電池配備了 "電子充電室保護裝置 (ECP)", 可以防止蓄電池過度放電。電池的電量如果用盡了, 保護開關會自動關閉電動工具; 安裝在機器上的工具會停止轉動。

**開啟工作燈**

輕按或是把起停開關 4 按到底時燈 26 會亮起。在照明狀況不佳的環境中可以借此照亮操作位置。

**有關操作方式的指點**

保護鋸片免受衝撞和敲擊。

順著鋸線施力均勻地輕推電動工具。操作機器時如果推力過猛 會降低鋸片的使用壽命, 並且損壞電動工具。

鋸割功率和鋸割的效果, 基本上是由鋸片的狀況和鋸片上鋸齒的形狀決定。因此只能使用尖銳和適合工件材料的鋸片。

**鋸割木材**

根據木材的種類、木材的品質以及鋸割的方向 (順著木紋鋸割或與木紋交叉鋸割) 選擇合適的鋸片。

順著木紋鋸割紅杉時會產生長的螺旋形木屑。

山毛榉塵和橡木塵會嚴重危害健康, 因此加工上述工件時務必使用吸塵裝置。



**使用平行擋塊鋸割 (參考插圖 D)**

使用平行擋塊 32 便能夠沿著工件邊緣進行精確的鋸割，或者鋸割尺寸相同的木條。

請到底板外緣上，並利用平行擋塊 / 導軌接合器之導軌上的刻度尺，設定所需鋸割寬度。(參考插圖 D)

**使用輔助擋塊鋸割 (參考插圖 F)**

分割大的工件或鋸割直邊時，可以用弓形夾鉗把木板或木條固定在工件上充當輔助擋塊，接著再沿著輔助擋塊移動底座。

**使用導引軌鋸割 (參考插圖 E)**

借助導引軌 34 可以鋸割直線。

**指示：** 導引軌 34 只能在進行直角鋸割時使用。進行斜角鋸割時可能損壞導引軌 34。

導引軌上有附著層，不僅能夠止滑而且可以保護工件表面。導引軌表面的護漆可以幫助電動工具在軌上滑行。

請使用適當的夾具 (例如螺旋夾具)，將導軌 34 固定在工件上。電動工具透過事先裝好的導軌接合器架設在導軌上。

**指示：** 裝上平行擋塊 / 導軌接合器 32，此時 Bosch 標誌應朝下緊貼電動工具。

**導引軌 34 不可以突出於工件的鋸割側的邊緣。**

開動電動工具，順著鋸線施力均勻地輕推電動工具。

**搭配平行擋塊 / 導軌接合器及吸塵管一起使用**

請先安裝吸塵轉接頭 29 及吸塵管 30，然後才裝上平行擋塊 / 導軌接合器 32。

**指示：** 固定平行擋塊 / 導軌接合器 32 及吸塵轉接頭 29 時，僅能使用指定的螺栓！

**如何正確地使用蓄電池**

保護蓄電池，避免濕氣和水分滲入。

蓄電池必須儲存在攝氏 -20 到 50 度的環境中。夏天不可以把蓄電池擱置在汽車中。

不定時地使用柔軟、清潔而且乾燥的毛刷清潔蓄電池的通氣孔。

充電後如果蓄電池的使用時間明顯縮短，代表蓄電池已經損壞，必須更換新的蓄電池。

請注意有關作廢處理的規定。

**維修和服務****維修和清潔**

▶ 在電動工具上進行任何維護的工作 (例如維修、更換工具等等)，以及搬運、保存電動工具之前都必須從機器中取出蓄電池。不小心開動了起停開關可能造成傷害。

▶ 電動工具和通風間隙都必須保持清潔，這樣才能夠提高工作品質和安全性。

活動防護罩必須能夠無阻地擺動，並且要能夠自動關閉。因此活動防護罩的四周要隨時保持清潔。可以使用壓縮空氣吹除灰塵和木屑，也可以用毛刷清除污垢。

如果鋸片未上保護漆，可以在鋸片上塗抹一層薄薄的無酸潤滑油以預防鋸片生銹。使用機器之前必須清除油層，否則會在木材上留下污斑。

鋸片如果沾了殘餘的樹脂和膠水會影響鋸割效果。因此使用機器後必須馬上清潔鋸片。

**顧客服務處和顧客諮詢中心**

本公司顧客服務處負責回答有關本公司產品的修理、維護和備件的問題。以下的網頁中有爆炸圖和備件的資料：

[www.bosch-pt.com](http://www.bosch-pt.com)

博世顧客諮詢團隊非常樂意為您解答有關本公司產品及附件的問題。

當您需要諮詢或訂購備用零組件時，請務必提供本產品型號銘牌上的 10 位項目編號。

**台灣**

台灣羅伯特博世股份有限公司

建國北路一段 90 號 6 樓

台北市 10491

電話：(02) 2515 5388

傳真：(02) 2516 1176

[www.bosch-pt.com.tw](http://www.bosch-pt.com.tw)

**製造商地址：**

Robert Bosch Power Tools GmbH

羅伯特·博世電動工具有限公司

70538 Stuttgart / GERMANY

70538 斯圖加特 / 德國

**搬運**


隨著機器一起供貨的鋰離子蓄電池必須受危險物品法規範。使用者無須另外使用保護包裝便可以運送該蓄電池。

但是如果將它交由第三者運送 (例如：寄空運或委託運輸公司) 則要使用特殊的包裝和標示。此時必須向危險物品專家請教有關寄送危險物品的相關事宜。

確定蓄電池的外殼未受損後，才可以寄送蓄電池。粘好未加蓋的觸點並包裝好蓄電池，不可以讓蓄電池在包裝中晃動。

必要時也得注意各國有關的法規。

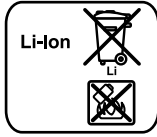
**處理廢棄物**

 必須以符合環保的方式，回收再利用損壞的電動工具、蓄電池、附件和廢棄的包裝材料。

不可以把電動工具和蓄電池 / 電池丟入一般的家庭垃圾中！

## 26 | 한국어

蓄電池 / 一般電池 :



鋰離子:  
請注意 "搬運" 段落中的指示,  
頁 25。

保留修改權。

## 한국어

## 안전 수칙

## 전동공구용 일반 안전수칙

**⚠ 경고** 모든 안전수칙과 지시 사항을 상세히 읽고 지켜야 합니다. 다음의 안전수칙과 지시 사항을 준수하지 않으면 화재 위험이 있으며 감전 혹은 중상을 입을 수 있습니다.

앞으로의 참고를 위해 이 안전수칙과 사용 설명서를 잘 보관하십시오.

다음에서 사용되는 "전동공구" 라는 개념은 전원에 연결하여 사용하는 전동 기기 (전선이 있는) 나 배터리를 사용하는 전동 기기 (전선이 없는) 를 의미합니다.

## 작업장 안전

- ▶ 작업장을 항상 깨끗이 하고 조명을 밝게 하십시오. 작업장 환경이 어수선하거나 어두우면 사고를 초래할 수 있습니다.
- ▶ 가연성 유체, 가스 또는 분진이 있어 폭발 위험이 있는 환경에서 전동공구를 사용하지 마십시오. 전동공구는 분진이나 증기에 점화하는 스파크를 일으킬 수 있습니다.
- ▶ 전동공구를 사용할 때 구경꾼이나 어린이 혹은 다른 사람이 작업장에 접근하지 못하게 하십시오. 다른 사람이 주의를 산만하게 하면 기기에 대한 통제를 잃기 쉽습니다.

## 전기에 관한 안전

- ▶ 전동공구의 전원 플러그가 전원 콘센트에 잘 맞아야 합니다. 플러그를 조금이라도 변경시켜서는 안됩니다. 접지된 전동공구를 사용할 때 어댑터 플러그를 사용하지 마십시오. 변형되지 않은 플러그와 잘 맞는 콘센트를 사용하면 감전의 위험을 감소할 수 있습니다.
- ▶ 파이프 관, 라디에이터, 레인지, 냉장고와 같은 접지 표면에 물이 닿지 않도록 하십시오. 몸에 닿을 경우 감전될 위험이 높습니다.
- ▶ 전동공구를 비에 맞지 않게 하고 습기 있는 곳에 두지 마십시오. 전동공구에 물이 들어가면 감전될 위험이 높습니다.

▶ 전원 코드를 잡고 전동공구를 운반하거나 걸어 놓아서는 안되며, 콘센트에서 전원 플러그를 뽑을 때 전원 코드를 잡아 당겨서는 절대로 안됩니다. 전원 코드가 열과 오일에 접촉하는 것을 피하고, 날카로운 모서리나 기기의 가동 부위에 닿지 않도록 주의하십시오. 손상되거나 영긴 전원 코드는 감전을 유발할 수 있습니다.

▶ 실외에서 전동공구로 작업할 때는 실외용으로 적당한 연장 전원 코드만을 사용하십시오. 실외용 연장 전원 코드를 사용하면 감전의 위험을 줄일 수 있습니다.

▶ 전동공구를 습기 찬 곳에서 사용해야 할 경우에는 누전 차단기를 사용하십시오. 누전 차단기를 사용하면 감전 위험을 줄일 수 있습니다.

## 사용자 안전

- ▶ 신중하게 작업하십시오. 작업을 할 때 주의를 하며, 전동공구를 사용할 때 경솔하게 행동하지 마십시오. 피로한 상태이거나 약물 복용 및 음주한 후에는 전동공구를 사용하지 마십시오. 전동공구를 사용할 때 잠시라도 주의가 산만해지면 중상을 입을 수 있습니다.
- ▶ 작업자 안전을 위한 장치를 사용하십시오. 항상 보호안경을 착용하십시오. 전동공구의 종류와 사용에 따라 먼지 보호 마스크, 미끄러지지 않는 안전한 신발, 안전모 또는 귀마개 등의 안전한 복장을 하면 상해의 위험을 줄일 수 있습니다.
- ▶ 실수로 기기가 작동되지 않도록 주의하십시오. 전동공구를 전원에 연결하거나 배터리를 끼우기 전에, 혹은 기기를 들거나 운반하기 전에, 전원 스위치가 꺼져 있는지 다시 확인하십시오. 전동공구를 운반할 때 전원 스위치에 손가락을 대거나 전원 스위치가 켜진 상태에서 전원을 연결하면 사고 위험이 높습니다.
- ▶ 전동공구를 사용하기 전에 조절하는 툴이나 나사 키 등을 빼 놓으십시오. 회전하는 부위에 있는 툴이나 나사 키로 인해 상처를 입을 수 있습니다.
- ▶ 자신을 과신하지 마십시오. 불안정한 자세를 피하고 항상 평형을 이룬 상태로 작업하십시오. 안정된 자세와 평형한 상태로 작업해야만이 의외의 상황에서 전동공구를 안전하게 사용할 수 있습니다.
- ▶ 알맞은 작업복을 입으십시오. 헐렁한 복장을 하거나 장신구를 착용하지 마십시오. 머리카락 또는 장갑이 가동하는 기기 부위에 가까이 닿지 않도록 주의하십시오. 헐렁한 복장, 장신구 혹은 긴 머리는 가동 부위에 밀려 사고를 초래할 수 있습니다.
- ▶ 분진 추출장치나 수거장치의 조립이 가능한 경우, 이 장치가 연결되어 있는지, 제대로 작동이 되는지 확인하십시오. 이러한 분진 추출장치를 사용하면 분진으로 인한 사고 위험을 줄일 수 있습니다.

## 전동공구의 올바른 사용과 취급

▶ 기기를 과부하 상태에서 사용하지 마십시오. 작업할 때 이에 적당한 전동공구를 사용하십시오. 알맞은 전동공구를 사용하면 지정된 성능 한도 내에서 더 효율적으로 안전하게 작업할 수 있습니다.

- ▶ **전원 스위치가 고장 난 전동공구를 사용하지 마십시오.** 전원 스위치가 작동되지 않는 전동공구는 위험하므로, 반드시 수리를 해야 합니다.
- ▶ **기기에 세팅을 하거나 액세서리 부품을 교환하거나 혹은 기기를 보관할 때, 항상 전원 콘센트에서 플러그를 미리 빼어 놓으십시오.** 이러한 조치는 실수로 전동공구가 작동하게 되는 것을 예방합니다.
- ▶ **사용하지 않는 전동공구는 어린이 손이 닿지 않는 곳에 보관하고, 전동공구 사용에 익숙지 않거나 이 사용 설명서를 읽지 않은 사람은 기기를 사용해서는 안 됩니다.** 경험이 없는 사람이 전동공구를 사용하면 위험합니다.
- ▶ **전동공구를 조심스럽게 관리하십시오.** 가동 부위가 하자 없이 정상적인 기능을 하는지, 걸리는 부위가 있는지, 혹은 전동공구의 기능에 중요한 부품이 손상되지 않았는지 확인하십시오. 손상된 기기의 부품은 전동공구를 다시 사용하기 전에 반드시 수리를 맡기십시오. 제대로 관리하지 않은 전동공구의 경우 많은 사고를 유발합니다.
- ▶ **절단 공구를 날카롭고 깨끗하게 관리하십시오.** 날카로운 절단면이 있고 잘 관리된 절단공구는 걸리는 경우가 드물고 조절하기도 쉽습니다.
- ▶ **전동공구, 액세서리, 장착하는 공구 등을 사용할 때, 이 지시 사항과 특별히 기종 별로 나와있는 사용 방법을 준수하십시오.** 이때 작업 조건과 실시하려는 작업 내용을 고려하십시오. 원래 사용 분야가 아닌 다른 작업에 전동공구를 사용할 경우 위험한 상황을 초래할 수 있습니다.

#### 충전 전동공구의 올바른 사용과 취급

- ▶ **배터리를 충전할 때 제조 회사가 추천하는 충전기만을 사용하여 재충전해야 합니다.** 특정 제품의 배터리를 위하여 제조된 충전기에 적합하지 않은 다른 배터리를 충전할 경우 화재 위험이 있습니다.
- ▶ **각 전동공구용으로 나와있는 배터리만을 사용하십시오.** 다른 종류의 배터리를 사용하면 상해를 입거나 화재를 초래할 수 있습니다.
- ▶ **배터리를 사용하지 않을 때는, 각 극 사이에 브리징 상태가 생길 수 있으므로 페이퍼 클립, 동전, 열쇠, 못, 나사 등 유사한 금속성 물체와 멀리하여 보관하십시오.** 배터리 극 사이에 쇼트가 일어나 화상을 입거나 화재를 야기할 수 있습니다.
- ▶ **배터리를 잘못 사용하면 누수가 생길 수 있습니다.** 누수가 생긴 배터리에 닿지 않도록 하십시오. 피부에 접하게 되었을 경우 즉시 물로 씻으십시오. 유체가 눈에 닿았을 경우 바로 의사와 상담하십시오. 배터리에서 나오는 유체는 피부에 자극을 주거나 화상을 입힐 수 있습니다.

#### 서비스

- ▶ **전동공구 수리는 반드시 전문 인력에게 맡기고, 수리 정비 시 보쉬 순정 부품만을 사용하십시오.** 그렇게 함으로써 기기의 안전성을 오래 유지할 수 있습니다.

## 원형 톱용 안전 수칙

### 절단작업

- ▶ **위험: 절단영역이나 톱날에 손을 대지 마십시오.**
- ▶ **작업물 아래 쪽을 잡지 마십시오.** 안전반이 있어도 작업물 아래 쪽에서 톱날에 다칠 수 있기 때문입니다.
- ▶ **절단 깊이를 작업물의 두께에 맞게 조절하십시오.** 작업을 아래로 톱날의 톱니가 한 개 이상 보이면 안 됩니다.
- ▶ **절단하려는 작업물을 절대로 손에 들고 있거나 다리 위에 고정하지 마십시오.** 작업물을 고정된 작업대에 안전하게 두십시오. 기기가 몸에 닿거나 톱날이 걸리거나 통제력을 잃는 것을 방지하려면 작업물을 적당하게 고정하는 것이 중요합니다.
- ▶ **작업할 때 공구가 보이지 않는 전선에 닿을 위험이 있으면 전동공구의 절연된 손잡이 면만 잡으십시오.** 전류가 흐르는 전선에 접하게 되면 공구의 금속 부위에도 전기가 통해 감전될 위험이 있습니다.
- ▶ **목재에 세로로 절단작업을 할 때 항상 림 펜스나 직선형의 모서리 가이드를 사용하십시오.** 이렇게 하면 보다 정확한 절단이 가능하며 톱날이 걸릴 위험이 줄어 듭니다.
- ▶ **항상 수용 플랜지 구멍에 맞는 적당한 크기와 형태 (다이아몬드형이나 원형)의 톱날을 사용하십시오.** 톱의 조립 부품에 맞지 않는 톱날은 제대로 회전하지 않으며 제어하기가 어렵습니다.
- ▶ **절대로 손상되었거나 맞지 않는 톱날 와셔나 톱날 볼트를 사용하지 마십시오.** 톱날 와셔나 볼트는 귀하의 톱에 맞도록 최상의 성능과 작업 안전을 위해 특별히 설계된 것입니다.
- ▶ **반동 - 원인과 해당 안전수칙**
  - 반동은 톱날이 걸리거나 박히거나 혹은 잘못 맞춘 경우 갑자기 생기는 현상으로, 이로 인해 톱이 들리면서 작업물에서 튕겨나와 작업자 쪽으로 향할 수 있습니다.
  - 톱날이 절단면에 걸리거나 끼워지게 되면 기기 작동이 멈추고 모터 반동의 힘으로 톱이 작업자 쪽으로 밀리게 됩니다.
  - 톱날이 절단면에서 휘어지거나 잘못 끼워져 있으면, 뒤쪽 톱날 모서리 톱니가 작업물 표면에 걸릴 수 있습니다. 이러한 경우 톱날이 절단면에서 빠져나와 톱이 작업자 쪽으로 튕길 수 있습니다.
- ▶ 반동은 톱을 잘못 사용하거나 부정확하게 작동하여 생기는 결과입니다. 다음 내용과 같이 적합한 예방 조치를 취하면 이를 방지할 수 있습니다.
- ▶ **반동력을 견딜 수 있을 만한 위치에 팔을 놓고 톱을 단단히 붙잡으십시오.** 톱날이 항상 신체 옆쪽에 위치하도록 하십시오. 톱날이 신체와 일직선 상에 위치해서는 안 됩니다. 반동이 있을 경우 톱이 뒤쪽으로 튕겨져 나올 수 있으나, 작업자는 적절한 조치를 취하여 이에 대처할 수 있습니다.


28 | 한국어

- ▶ **톱날이 걸리거나 톱질작업을 중단할 경우 톱의 전원 스위치를 끄고 톱날이 완전히 정지할 때까지 톱을 작업물에 그대로 둡니다. 톱날이 움직이고 있는 동안 톱을 작업물에서 떼거나 뒤로 당기려고 하지 마십시오. 이 경우 반동이 생길 수 있습니다. 톱날이 걸린 원인을 찾아 적당한 조치를 취하여 해결하십시오.**
- ▶ **작업물에 끼여져 있는 톱을 재시동하려면 톱날을 절단면 가운데에 맞추고 톱니가 작업물에 물려있지 않은지 확인하십시오. 톱날이 물려 있으면 재시동할 경우 톱날이 작업물 밖으로 나오면서 반동을 일으킬 수 있습니다.**
- ▶ **톱날이 걸려 반동이 생기는 위험을 최소화하기 위해 커다란 패널로 받치십시오. 커다란 패널은 자체의 중량으로 휘어질 수 있습니다. 그러므로 절단면 근처와 가장자리에 양쪽으로 패널을 받쳐주어야 합니다.**
- ▶ **무디거나 손상된 톱날을 사용하지 마십시오. 무디거나 제대로 세팅되지 않은 톱날은 너무 좁은 절단면으로 인해 과도한 마찰, 톱날의 물림 그리고 반동을 유발합니다.**
- ▶ **톱질작업을 하기 전에 절단 깊이와 절단 각도 조절 레버를 단단히 조이십시오. 작업 도중에 설정치가 바뀌면 톱날이 물려 반동이 생길 수 있습니다.**
- ▶ **기존의 벽이나 다른 보이지 않는 부위에 톱질작업 시 특히 주의를 기울이십시오. 작업 시 톱날이 보이지 않는 물체에 걸려 반동을 일으킬 수 있습니다.**

**하부 안전반의 기능**

- ▶ **사용하기 전에 항상 하부 안전반이 제대로 닫히는지 확인하십시오. 하부 안전반이 자유로이 움직이지 않고 빨리 닫히지 않는 톱은 사용하지 마십시오. 절대로 하부 안전반을 열린 상태로 고정하거나 묶지 마십시오. 실수로 톱이 바닥에 떨어지면 하부 안전반이 휘어질 수 있습니다. 안전반을 뒤로 당기는 레버로 열고, 안전반이 자유로이 움직이는지 그리고 모든 절단 각도와 깊이의 경우 톱날과 다른 부위에 닿지 않는지 확인해 보십시오.**
- ▶ **하부 안전반용 스프링이 제대로 작동하는지 확인하십시오. 하부 안전반과 스프링에 하자가 있으면 톱을 사용하기 전에 수리를 맡기십시오. 손상된 부품, 끈적이는 침전물 혹은 축적된 톱밥으로 인해 하부 안전반의 기능에 지장이 생깁니다.**
- ▶ **“플런지 컷 및 앵글 컷”과 같이 특수하게 절단하는 경우에만 손으로 하부 안전반을 여십시오. 뒤로 당기는 레버를 이용하여 하부 안전반을 열고 톱날이 작업물에 들어가면 레버에서 손을 떼십시오. 다른 모든 작업에서는 하부 안전반이 자동으로 작동됩니다.**
- ▶ **톱을 작업 벤치나 바닥에 놓기 전에 하부 안전반이 톱날을 덮고 있는지 항상 확인하십시오. 보호 장치가 없이 계속 돌아가는 톱날은 톱을 절단 방향 반대 쪽으로 움직이며 그 진로에 있는 것을 모두 절단합니다. 그러므로 스위치를 끄고 나서 톱날이 완전히 멈출 때까지의 시간을 고려하십시오.**

**추가 안전 경고 사항**

- ▶ **톱밥 분출장치에 손을 대지 마십시오. 회전하는 부위에 닿으면 상처를 입을 수 있습니다.**
  - ▶ **머리 위쪽에서 톱으로 작업하지 마십시오. 이 경우 전동공구에 대한 통제가 어려워집니다.**
  - ▶ **보이지 않는 부위에 에너지 배선 및 배관여부를 확인하려면 적당한 탐지기를 사용하거나 담당 에너지 공급회사에 문의하십시오. 전선에 접촉하게 되면 화재나 전기 충격을 유발할 수 있습니다. 가스관을 손상시키면 폭발 위험이 있으며 수도관을 파손하게 되면 재산 피해를 야기할 수 있습니다.**
  - ▶ **전동공구를 고정하여 사용하지 마십시오. 이는 톱 테이블에 고정하여 사용하도록 설계된 것이 아닙니다.**
  - ▶ **고속강(HSS)으로 된 톱날은 사용하지 마십시오. 이 톱날은 쉽게 부러질 수 있습니다.**
  - ▶ **철금속 소재에 톱질작업을 하지 마십시오. 매우 뜨거운 톱밥으로 인해 분진 추출장치가 점화될 수 있습니다.**
  - ▶ **작업물을 잘 고정하십시오. 고정장치나 기계 바이스에 끼워서 작업하면 손으로 잡는 것보다 더 안전합니다.**
  - ▶ **전동공구를 내려놓기 전에 기기가 완전히 멈추는지를 확인하십시오. 벨트가 걸려 전동공구에 대한 통제가 어려워질 수 있습니다.**
  - ▶ **배터리를 분해하지 마십시오. 단락이 발생할 위험이 있습니다.**
- 

**배터리를 태양 광선 등 고열에 장시간 노출되지 않도록 하고 불과 물, 수분이 있는 곳에 두지 마십시오. 폭발할 위험이 있습니다.**
- ▶ **배터리가 손상되었거나 잘못 사용될 경우 증기가 발생할 수 있습니다. 작업장을 환기시키고, 필요한 경우 의사와 상담하십시오. 증기로 인해 호흡기가 자극될 수 있습니다.**
  - ▶ **배터리는 반드시 보쉬 순정제품만 사용합니다. 그레야만 배터리 과부하의 위험을 방지할 수 있습니다.**
  - ▶ **못이나 스크류 드라이버 같은 뾰족한 물체 또는 외부에서 오는 충격 등으로 인해 축전지가 손상될 수 있습니다. 내부 단락이 발생하여 축전지가 타거나 연기가 발생하고, 폭발 또는 과열될 수 있습니다.**

**제품 및 성능 소개**



**모든 안전수칙과 지시 사항을 상세히 읽고 지켜야 합니다. 다음의 안전수칙과 지시 사항을 준수하지 않으면 화재 위험이 있으며 감전 혹은 중상을 입을 수 있습니다.**

**규정에 따른 사용**

본 전동공구는 단단한 바닥 위에서 목재에 직선으로 가로 및 세로 절단과 각도 절단을 하는 데 사용해야 합니다.

전동공구의 라이트는 직접 공구 작업 범위를 조명하는 데에 최적화되어 있으며, 가정 공간 조명에는 적합하지 않습니다.

**제품의 주요 명칭**

제품의 주요 명칭에 표기되어 있는 번호는 기기 그림이 나와있는 면을 참고하십시오.

- 1 배터리
- 2 배터리 해제 버튼
- 3 시동 안전 잠금장치
- 4 전원 스위치
- 5 육각 키
- 6 스피들 잠금 버튼
- 7 밀판
- 8 평행 조절자 고정 볼트
- 9 마이터 각도용 눈금
- 10 절단 각도 설정용 날개 나사
- 11 절단 표시 45°
- 12 절단 표시 0°
- 13 안전반
- 14 손잡이 (절연된 손잡이 부위)
- 15 배터리 충전 상태 표시기
- 16 온도 제어 / 과부하 방지 표시기
- 17 절단 깊이 설정용 날개 나사
- 18 절단 깊이 눈금자
- 19 하부 안전반용 조절 레버
- 20 톱 스피들
- 21 하부 안전반
- 22 수용 플랜지
- 23 원형 톱날
- 24 고정 플랜지
- 25 고정 나사
- 26 "PowerLight" 램프
- 27 마이터 각도 조절용 기준 마크
- 28 흡입 어댑터용 고정 볼트
- 29 추출장치 어댑터\*
- 30 흡입 호스\*
- 31 절단 깊이 조절용 기준 마크
- 32 평행 조절자 / 가이드 레일 어댑터\*
- 33 나사식 고정장치\*
- 34 가이드 레일\*

\*도면이나 설명서에 나와있는 액세서리는 표준 공급부품에 속하지 않습니다. 전체 액세서리는 저희 액세서리 프로그램을 참고하십시오.

**제품 사양**

원형 톱	GKS 12 V-LI
제품 번호	3 601 FA1 0..

\* 온도가 0 °C 보다 낮은 경우 성능 제한 있음  
 기계 사양은 함께 공급되는 배터리를 사용한 경우입니다.

원형 톱	GKS 12 V-LI	
정격 전압	V=	12
무부하 속도	rpm	1400
최대 절단 깊이		
- 베벨 각도 0° 경우	mm	26.5
- 베벨 각도 45° 경우	mm	17.0
스피들 잠금장치		●
밀판 크기	mm	167 x 88
최대 톱날 직경	mm	85
최소 톱날 직경	mm	85
최대 두께	mm	0.7
최대 톱니 두께 / 톱니 세팅	mm	1.1
최소 톱니 두께 / 톱니 세팅	mm	1.0
중심축 직경	mm	15
EPTA 공정 01:2014 에 따른 중량	kg	1.4
허용되는 주변 온도		
- 충전 시	°C	0...+45
- 작동 시* 및 보관 시	°C	- 20...+50
권장 배터리	GBA 12V ...O - ..	
권장하는 충전기	GAL 12.. CV	

\* 온도가 0 °C 보다 낮은 경우 성능 제한 있음  
 기계 사양은 함께 공급되는 배터리를 사용한 경우입니다.

**조립**

**배터리 충전하기**

▶ **액세서리 목록에 기재되어 있는 충전기만을 사용하십시오.** 이 충전기만이 귀하의 전동공구에 사용된 리튬이온 배터리에 맞게 되어 있습니다.

**참고:** 배터리는 일부 충전되어 공급됩니다. 배터리의 성능을 완전하게 보장하기 위해서는 처음 사용하기 전에 배터리를 완전히 충전기에 충전하십시오.

리튬이온 배터리는 항상 충전할 수 있으며, 이로 인해 수명이 단축되지 않습니다. 충전을 하다 중간에 중지해도 배터리가 손상되지 않습니다.

리튬이온 배터리는 "전자 셀 보호 (ECP)" 기능이 있어 과도한 방전이 되지 않습니다. 배터리가 방전되면 안전 스위치가 작동하여 전동공구가 꺼지고 비트가 더 이상 움직이지 않습니다.

▶ **전동공구가 자동으로 작동이 중단된 경우 전원 스위치를 더 계속 누르지 마십시오.** 이로 인해 배터리가 손상될 수 있습니다.

처리에 관련된 지시 사항을 준수하십시오.

**배터리 탈착하기**

배터리 1은 배터리 해제 버튼 2이 실수로 눌러져 배터리가 빠지는 것을 방지하기 위해 잠금장치가 이종으로 되어 있습니다. 전동공구에 배터리가 끼워져 있는 동안 이는 스프링으로 제 위치에 고정됩니다.

30 | 한국어

배터리 1을 빼려면 해제 버튼 2를 누른 상태로 배터리를 전동공구 뒤쪽으로 잡아 당기면 됩니다. **이때 무리하게 힘을 가하지 마십시오.**

**배터리 충전 상태 표시기**

배터리 충전 상태 표시기 15에 있는 세 개의 녹색 LED는 배터리 1의 충전 상태를 표시합니다. 안전을 위하여 충전 상태의 확인은 전동공구가 중지된 상태에서에서만 가능합니다.

충전 상태를 보이게 하려면 전원 스위치 4를 중간 혹은 완전히 누르십시오.

LED	용량
연속등 3 x 녹색	≥2/3
연속등 2 x 녹색	≥1/3
연속등 1 x 녹색	<1/3
점멸등 1 x 녹색	예비

전원 스위치 4를 눌러도 LED에 아무 불이 켜지지 않으면, 배터리가 고장난 것이므로 교환해 주어야 합니다.

**원형 톱날 장착하기 / 교환하기**

▶ 전동공구에 각종 작업을 하기 전에 배터리를 빼십시오.

▶ 톱날을 조립할 때 보호 장갑을 착용하십시오. 톱날에 닿게 되면 상해를 입을 수 있습니다.

▶ 반드시 본 사용 설명서에 나와있는 사양 자료에 맞는 톱날만을 사용하십시오.

▶ 절대로 연마석을 톱날로 사용해서는 안됩니다.

**톱날 선택하기**

권장하는 톱날의 목록은 이 사용 설명서 후면에 나와 있습니다.

**톱날 탈착하기 (그림 A 참조)**

톱날을 교환할 때 전동공구를 모터 하우징의 앞쪽으로 놓는 것이 제일 좋습니다.

- 스펀들 잠금 버튼 6을 누르고 누른 상태를 유지하십시오.

▶ 스펀들 잠금 버튼 6은 톱 스펀들이 완전히 정지된 상태에서만 작동해야 합니다. 그렇지 않으면 전동공구가 손상될 수 있습니다.

- 육각 키 5로 고정 볼트 25를 ● 회전 방향으로 돌려 뺍니다.

- 하부 안전반 21을 뒤로 움직인 상태로 꼭 잡습니다.

- 고정 플랜지 24와 톱날 23을 톱 스펀들 20에서 빼냅니다.

**톱날 조립하기 (그림 A 참조)**

톱날을 교환할 때 전동공구를 모터 하우징의 앞쪽으로 놓는 것이 제일 좋습니다.

- 톱날 23과 조립할 모든 고정용 부품을 깨끗이 닦습니다.

- 하부 안전반 21을 뒤로 움직인 상태로 꼭 잡습니다.

- 톱날 23을 수용 플랜지 22에 끼웁니다. 톱날의 절단 방향 (톱날에 나와있는 화살표 방향)과 하부 안전반 21의 회전 방향 화살표가 일치해야 합니다.

- 고정 플랜지 24를 끼우고 고정 볼트 25를 ●의 회전 방향으로 끼워 돌립니다. 이때 수용 플랜지 22과 고정 플랜지 24의 조립 위치가 제대로 되어 있는지 확인하십시오.

- 스펀들 잠금 버튼 6을 누르고 누른 상태를 유지하십시오.

- 육각 키 5를 사용하여 고정 볼트 25를 ● 회전 방향으로 세게 조입니다. 고정 토크는 6-9 Nm으로, 이는 손으로 고정할 것에 추가로 ½ 회전을 더한 것과 상응합니다.

**분진 및 톱밥 추출장치**

▶ 전동공구에 각종 작업을 하기 전에 배터리를 빼십시오.

▶ 납 성분을 포함한 페인트나 몇몇 나무 종류, 또는 광물 성분 그리고 철과 같은 재료의 분진은 건강을 해칠 수 있습니다. 이 분진을 만지거나 호흡할 경우, 사용자나 주변 사람들은 알레르기 반응이나 호흡기 장애를 일으킬 수 있습니다.

떡갈나무나 너도밤나무와 같은 특정한 분진은 암을 유발시키며, 특히 목재 처리용으로 사용되는 부가 원료 (크로마트, 목재 보호제)와 혼합되면 암을 유발 시키게 됩니다. 석면 성분을 포함한 재료는 오직 전문가가 작업을 해야 합니다.

- 분진 추출 정도를 높이려면 본 전동공구와 함께 적합한 추출장치를 사용하십시오.

- 작업장의 통풍이 잘 되도록 하십시오.

- 필터등급 P2가 장착된 호흡 마스크를 사용하십시오.

작업용 재료에 관해 국가가 지정한 규정을 고려 하십시오.

**흡입 어댑터 조립하기 (그림 B 참조)**

흡입 어댑터 29를 고정 볼트 28을 사용하여 밀판 7에 고정합니다.

흡입 어댑터 29에 직경 19 mm인 흡입 호스를 연결할 수 있습니다.

▶ 흡입 어댑터는 외부 흡입장치가 연결되지 않은 경우에 사용해서는 안됩니다. 흡입관이 막힐 위험이 있기 때문입니다.

▶ 흡입 어댑터에 먼지 주머니를 연결해서는 안됩니다. 흡입 시스템이 막힐 위험이 있기 때문입니다.

분출장치를 최적으로 작동하게 하려면 흡입 어댑터 29를 정기적으로 청소해야 합니다.

**외부 분진 처리**

흡입 호스 30을 진공 청소기 (별매 액세서리)에 연결하여 사용하십시오. 연결이 가능한 다양한 진공 청소기의 목록이 이 사용 설명서 후면에 나와 있습니다.

진공 청소기는 작업하는 소재에 적합한 것이어야 합니다.

특히 건강에 유해한 발암성 혹은 건조한 분진을 처리해야 할 경우에는 특수한 청소기를 사용해야 합니다.

## 작동

### 작동 모드

▶ 전동공구에 각종 작업을 하기 전에 배터리를 배십시오.

#### 절단 깊이 조절하기 (그림 C 참조)

▶ 절단 깊이를 작업물의 두께에 맞게 조절하십시오. 작업물 아래로 톱날의 톱니가 한 개 이상 보이면 안됩니다.

날개 나사 17을 풀니다. 절단 깊이를 낮게 하려면 전동공구를 밀판 7에서 멀어지게 하고, 절단 깊이를 깊게 하려면 전동공구를 밀판 7 쪽으로 누르십시오. 원하는 수치를 절단 깊이 눈금자 18에 맞추십시오. 날개 나사 17을 다시 조입니다.

절단 깊이를 조절할 때는 절단 깊이 눈금 18 옆의 기준 마크 31을 사용하십시오.

#### 마이터 각도 설정하기

전동공구를 안전반 13의 앞쪽으로 두는 것이 가장 좋습니다.

날개 나사 10을 풀니다. 톱을 옆으로 움직입니다. 눈금자 9를 원하는 값으로 맞춥니다. 날개 나사 10을 다시 세게 조입니다.

마이터 각도를 설정할 때는 기준 마크 27 (고정부 상단)을 사용하십시오.

**참고:** 베벨 절단작업을 할 경우 절단 깊이는 절단 깊이 눈금자 18에 나와있는 수치보다 적습니다.

#### 절단 표시

절단 표시 0° 12는 직각 절단을 할 때 톱날의 위치를 나타냅니다. 절단 표시 45° 11은 45° 각도로 절단할 때 톱날의 위치를 나타냅니다.

### 기계 시동

#### 배터리 장착하기

▶ 반드시 귀하의 전동공구 타입 표시판에 나와 있는 전압의 보쉬 순정 리튬이온 배터리만을 사용하십시오. 다른 배터리를 사용하면 상해를 입거나 화재가 발생할 위험이 있습니다.

충전된 배터리 1을 전동공구 앞에서 부터 베이스 쪽으로 밀어 넣습니다. 빨간 선이 더 이상 보이지 않고 배터리가 확실히 고정될 때까지 배터리를 완전히 베이스 쪽으로 누르십시오.

#### 전원 스위치 작동

전동공구를 작동하려면 우선 시동 안전 잠금장치 3을 켜고 그리고 나서 전원 스위치 4를 누르거나 누른 상태를 유지하십시오.

전동공구의 스위치를 끄려면 전원 스위치 4를 놓으면 됩니다.

**참고:** 작업 안전을 위해 전원 스위치 4를 고정할 수 없으므로, 작동 중에 이를 계속 누른 채 유지해야 합니다.

#### 잔여 회전 브레이크

내장된 브레이크 기능은 전동공구 스위치를 끈 후에 톱날의 잔여 회전 시간을 줄여줍니다.

#### 온도 제어 / 과부하 방지 표시기

적색 LED 표시기 16은 배터리가 과열되거나 모터가 과부하 상태로 되는 것을 방지하는데 도움이 됩니다.

LED 표시기 16가 계속 적색으로 켜지면, 배터리의 온도가 너무 높기 때문이며 이때 전동공구가 자동으로 꺼집니다.

- 그리고 나서 전동공구의 스위치를 끄십시오.
- 배터리가 완전히 식은 후에 다시 작업을 계속하십시오.

LED 표시기 16가 적색으로 깜박이면, 전동공구가 걸렸기 때문이며 이때 자동으로 꺼집니다.

전동공구를 작업물에서 빼십시오.

걸린 것이 없다면 전동공구가 바로 작동됩니다.

#### 방전 보호 기능

리튬이온 배터리는 “전자 셀 보호(ECP)” 기능이 있어 과도한 방전이 되지 않습니다. 배터리가 방전되면 안전 스위치가 작동하여 전동공구가 꺼지고 비트가 더 이상 움직이지 않습니다.

#### LED 작업 램프 스위치 켜기

전원 스위치 4를 살짝 누르거나 완전히 누르면 램프 26가 켜지므로 조명 상태가 좋지 않은 곳에서도 작업이 가능합니다.

### 사용방법

톱날에 충격을 주지 않도록 하십시오.

전동공구를 일정하게 가볍게 누르면서 절단 방향으로 움직입니다. 무리하게 밀면서 작업하면 날의 수명이 훨씬 짧아지며 전동공구를 손상시킬 수 있습니다.

톱의 성능과 절단작업의 성공 여부는 대부분 톱날 상태와 톱니 형태에 따라 좌우됩니다. 그러므로 반드시 날카롭고 작업하려는 소재에 적당한 톱날만을 사용해야 합니다.

#### 목재에 톱질작업하기

톱날의 올바른 선택은 목재의 종류와 품질 그리고 세로 혹은 가로 절단을 하느냐에 따라 달라집니다.

가문비나무에 세로 절단을 할 경우 긴 나선형의 톱밥이 생깁니다.

너도 밤나무와 떡갈나무에 작업할 때 생기는 분진은 특히 건강에 유해하므로 반드시 분진 추출장치와 함께 사용해야 합니다.

#### 평행 조절자를 사용한 톱질작업 (그림 D 참조)

평행 조절자 32를 사용하면 작업물 모서리를 따라 정확하게 절단할 수 있으며, 또한 길고 가는 모양으로 동일하게 절단할 수 있습니다.

## 32 | 한국어

평행 조절자 / 가이드 레일 어댑터의 가이드 눈금을 바탕으로 밀판 모서리의 절단 넓이를 원하는 대로 조절하십시오. (그림 D 참조)

**보조 가이드를 사용한 톱질작업 (그림 F 참조)**

크기가 큰 작업물을 절단하거나 직선의 모서리를 자를 경우, 판자나 길쭉한 나무 조각을 보조 가이드로 작업물에 고정하고 다음에 밀판이 있는 원형 톱을 보조 가이드를 따라 움직이면 됩니다.

**가이드 레일을 사용한 톱질작업 (그림 E 참조)**

가이드 레일 **34**를 사용하면 직선으로 절단할 수 있습니다.

**참고:** 가이드 레일 **34**는 반드시 직각 절단작업 시에만 사용해야 합니다. 베벨링 절단작업에 사용하면 가이드 레일 **34**이 손상될 수 있습니다.

접착 코팅은 가이드 레일이 미끄러지는 것을 방지하고 작업물 표면을 보호해 줍니다. 가이드 레일의 코팅으로 인해 전동공구가 쉽게 미끄러지듯 움직입니다.

스크류 클램프와 같은 적합한 텐셔너를 사용하여 가이드 레일 **34**를 공구에 고정시키십시오. 에 부착된 가이드 레일 어댑터와 함께 전동공구를 가이드 레일 위에 놓으십시오.

**주의:** 평행 조절자 / 가이드 레일 어댑터 **32**는 보쉬 로고가 아래로 오도록 전동공구에 설치하십시오.

**가이드 레일 34는 절단하려는 작업물의 앞쪽 면보다 길어서는 안됩니다.**

전동공구의 스위치를 켜고 가볍게 누르면서 일정하게 절단 방향으로 움직입니다.

**평행 조절자 / 가이드 레일 어댑터 및 흡입 호스로 작업하기**

우선 흡입 호스 **30**과 함께 흡입 어댑터 **29**를 설치한 뒤, 이어서 평행 조절자 / 가이드 레일 어댑터 **32**를 설치하십시오.

**참고:** 평행 조절자 / 가이드 레일 어댑터 **32** 및 흡입 어댑터 **29**를 고정할 때는 지정된 나사를 사용하십시오!

**올바른 배터리의 취급 방법**

배터리를 습기나 물이 있는 곳에 두지 마십시오.

배터리를 -20°C에서 50°C 온도 범위에서만 저장하십시오. 예를 들면 배터리를 여름에 자동차 안에 두지 마십시오.

가끔 배터리의 통풍구를 부드럽고 깨끗한 마른 솔로 청소하십시오.

충전 후 작동 시간이 현저하게 짧아지면 배터리의 수명이 다한 것이므로 배터리를 교환해야 합니다.

처리에 관련된 지시 사항을 준수하십시오.

**보수 정비 및 서비스****보수 정비 및 유지**

▶ **전동공구에 각종 작업 (보수 정비 및 액세서리 교환 등)을 하거나 전동공구를 운반하거나 보관할 경우 배터리를 전동공구에서 빼십시오.** 실수로 전원 스위치가 작동하게 되면 상해를 입을 위험이 있습니다.

▶ **안전하고 올바른 작동을 위하여 전동공구와 전동공구의 통풍구를 항상 깨끗이 하십시오.**

하부 안전반은 항상 자유로이 움직여야 하고 자동으로 잠겨야 합니다. 그러므로 하부 안전반 주위를 항상 깨끗이 유지하십시오. 분진과 톱밥은 압력 공기로 불어내거나 솔을 사용하여 제거하십시오.

코팅되지 않은 톱날은 무산 오일을 얇게 발라서 부식이 되지 않도록 보호할 수 있습니다. 톱질작업을 하기 전에 오일을 다시 제거하십시오. 그렇지 않으면 목재에 얼룩이 생깁니다.

톱날에 수지나 접착제 찌꺼기가 남아 있으면 제대로 절단이 안됩니다. 그러므로 톱날을 사용한 후 바로 깨끗이 닦으십시오.

**보쉬 AS 및 고객 상담**

보쉬는 귀하의 제품 및 수리에 관한 문의를 받고 있습니다.

AS 센터 정보 및 제품에 대한 고객 상담은 하기 고객 콜센터 및 이메일 상담을 이용해주시기 바랍니다.

**고객 콜센터 : 080-955-0909**

**이메일 상담 :**

**Bosch-pt.hotline@kr.bosch.com**

문의나 대체 부품 주문 시에는 반드시 제품 네임 플레이트에 있는 10 자리의 제품번호를 알려 주십시오.

Bosch Korea, RBKR

Mechanics and Electronics Ltd.

PT/SAX-ASA

298 Bojeong-dong Giheung-gu

Yongin-si, Gyeonggi-do, 446-913

Republic of Korea

080-955-0909

**운반**

포함되어 있는 리튬이온 배터리는 위험물 관련 규정을 따라야 합니다. 사용자가 별도의 요구사항 없이 배터리를 직접 도로 상에서 운반할 수 있습니다.

제 3자를 통해 운반할 경우 (항공 운송이나 운송 회사 등) 포장과 표기에 관한 특별한 요구 사항을 준수해야 합니다. 이 경우 발송 준비를 위해 위험물 전문가와 상담해야 합니다.

표면이 손상되지 않은 배터리만을 사용하십시오. 배터리의 접촉 단자면을 덮어 붙인 상태로 내부에서 움직이지 않도록 배터리를 포장하십시오.

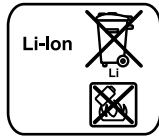
또한 이와 관련한 국내 규정을 준수하십시오.



**처리**

전동공구, 배터리, 액세서리 및 포장은 친환경 적인 방법으로 재활용할 수 있도록 분류하십시오.

전동공구와 충전용 배터리 / 배터리를 가정용 쓰레기로 처리하지 마십시오!

**충전용 배터리 / 배터리 :**

**Li-Ion:**  
“운반” 내용에 나와 있는 주의 사항을 준수하십시오  
( 32 페이지 ).

위 사항은 사전 예고 없이 변경될 수도 있습니다 .

**ภาษาไทย****กฎระเบียบเพื่อความปลอดภัย****คำเตือนทั่วไปเพื่อความปลอดภัย  
ในการใช้เครื่องมือไฟฟ้า**

**!** คำเตือน ต้องอ่านคำเตือนเพื่อความปลอดภัยและคำสั่งทั้งหมด การไม่ปฏิบัติตามคำเตือนและคำสั่งอาจเป็นสาเหตุให้ถูกไฟฟ้าดูด เกิดไฟไหม้ และ/หรือได้รับบาดเจ็บอย่างร้ายแรง

**เก็บรักษาคำเตือนและคำสั่งทั้งหมดสำหรับเปิดอ่านในภายหลัง**

คำว่า "เครื่องมือไฟฟ้า" ในคำเตือนหมายถึง เครื่องมือไฟฟ้าของท่านที่ทำงานด้วยพลังงานไฟฟ้าที่ต่อจากเต้าเสียบ (มีสายไฟฟ้า) และเครื่องมือไฟฟ้าที่ทำงานด้วยพลังงานไฟฟ้าจากแบตเตอรี่ (ไร้สาย)

**ความปลอดภัยในสถานที่ทำงาน**

- ▶ รักษาสถานที่ทำงานให้สะอาดและมีไฟส่องสว่างดี สถานที่ที่มีมืดหรือรกรุงรังนำมาซึ่งอุบัติเหตุ
- ▶ อย่าใช้เครื่องมือไฟฟ้าในสภาพแวดล้อมที่เสี่ยงต่อการติดระเบิดได้ เช่น ในที่มีขี้ของเหลว แก๊ส หรือฝุ่นที่ติดไฟได้ เมื่อใช้เครื่องมือไฟฟ้าจะเกิดประกายไฟซึ่งอาจจุดฝุ่นหรือไอให้ลุกเป็นไฟได้
- ▶ ขณะใช้เครื่องมือไฟฟ้าทำงาน ต้องกันเด็กและผู้ยืนดูให้ออกห่าง การหันเหความสนใจอาจทำให้ท่านขาดการควบคุมเครื่องได้

**ความปลอดภัยเกี่ยวกับไฟฟ้า**

- ▶ ปลั๊กของเครื่องมือไฟฟ้าต้องมีขนาดพอดีกับเต้าเสียบ อย่าตัดแปลงหรือแก้ไขตัวปลั๊กอย่างเด็ดขาด อย่าต่อปลั๊กต่อใดๆ เข้ากับเครื่องมือไฟฟ้าที่มีสายดิน ปลั๊กที่ไม่ตัดแปลงและเต้าเสียบที่เข้ากันช่วยลดความเสี่ยงจากการถูกไฟฟ้าดูด

- ▶ หลีกเลี่ยงไม่ให้ร่างกายสัมผัสกับพื้นผิวของสิ่งของที่ต่อสายดินไว้ เช่น ท่อ เครื่องทำความร้อน เตา และตู้เย็น จะเสี่ยงอันตรายจากการถูกไฟฟ้าดูดมากขึ้นหากกระแสไฟฟ้าวิ่งผ่านร่างกายของท่านลงดิน
- ▶ อย่างไรก็ตามเครื่องมือไฟฟ้าคานผนหรือทิ้งไว้ในที่ชื้นและหากน้ำเข้าในเครื่องมือไฟฟ้า จะเพิ่มความเสี่ยงจากการถูกไฟฟ้าดูด
- ▶ อย่าใช้สายไฟฟ้าอย่างผิดๆ อย่าถือเครื่องมือไฟฟ้าที่สาย อย่าใช้สายแฉวนเครื่อง หรืออย่าดึงสายไฟฟ้าเพื่อถอดปลั๊กออกจากเต้าเสียบ กันสายไฟฟ้าออกห่างจากความร้อน น้ำมัน ขอบแหลมคม หรือส่วนของเครื่องที่กำลังเคลื่อนไหว สายไฟฟ้าที่ชำรุดหรือพันกันยุ่ง เพิ่มความเสี่ยงจากการถูกไฟฟ้าดูด
- ▶ เมื่อใช้เครื่องมือไฟฟ้าทำงานกลางแจ้ง ให้ใช้สายไฟต่อที่ได้รับการรับรองให้ใช้ต่อในที่กลางแจ้งเท่านั้น การใช้สายไฟต่อที่เหมาะสมสำหรับงานกลางแจ้งช่วยลดอันตรายจากการถูกไฟฟ้าดูด
- ▶ หากไม่สามารถหลีกเลี่ยงการใช้เครื่องมือไฟฟ้าทำงานในสถานที่เปียกชื้นได้ ให้ใช้สวิตช์ตัดวงจรเมื่อเกิดการรั่วไหลของไฟฟ้าจากสายดิน การใช้สวิตช์ตัดวงจรเมื่อเกิดการรั่วไหลของไฟฟ้าจากสายดินช่วยลดความเสี่ยงต่อการถูกไฟฟ้าดูด

**ความปลอดภัยของบุคคล**

- ▶ ท่านต้องอยู่ในสภาพเตรียมพร้อม ระวังระวังในสิ่งที่กำลังทำอยู่ และมีสติขณะใช้เครื่องมือไฟฟ้าทำงาน อย่าใช้เครื่องมือไฟฟ้าขณะที่ท่านกำลังเหนื่อย หรืออยู่ภายใต้การครอบงำของฤทธิ์ของยาเสพติด แอลกอฮอล์ และยา เมื่อใช้เครื่องมือไฟฟ้าทำงาน ในชัวนาทีที่ท่านขาดความเอาใจใส่อาจทำให้บุคคลบาดเจ็บอย่างรุนแรงได้
- ▶ ใช้อุปกรณ์ปกป้องร่างกาย สวมแว่นตาป้องกันเสมอ อุปกรณ์ปกป้อง เช่น หน้ากากกันฝุ่น รองเท้ากันลื่น หมวกแข็ง หรือประคบหูกันเสียงดัง ที่เลือกใช้ตามความเหมาะสมกับสภาพการทำงาน สามารถลดอันตรายต่อบุคคลได้
- ▶ ป้องกันการติดเครื่องโดยไม่ตั้งใจ ต้องดูให้แน่ใจว่าสวิตช์อยู่ในตำแหน่งปิดก่อนเสียบปลั๊กไฟเข้าไปในเต้าเสียบ และ/หรือใส่แท่งแบตเตอรี่ ชีวขึ้นหรือถือเครื่องมือ การถือเครื่องโดยใช้นิ้วหัวที่สวิตช์ หรือเสียบปลั๊กไฟในขณะที่สวิตช์เปิดอยู่ อาจนำไปสู่อุบัติเหตุที่ร้ายแรงได้
- ▶ เอาเครื่องมือปรับแต่งหรือประแจปากคายนอกจากเครื่องมือไฟฟ้าก่อนเปิดสวิตช์ เครื่องมือหรือประแจปากคายนี้อาจอยู่กับส่วนของเครื่องที่กำลังหมุนจะทำให้บุคคลบาดเจ็บได้
- ▶ หลีกเลี่ยงการตั้งท่าที่ผิดปกติ ตั้งท่ายืนที่มั่นคงและวางน้ำหนักให้สมดุลตลอดเวลา ในลักษณะนี้ท่านสามารถควบคุมเครื่องมือไฟฟ้าในสถานการณ์ที่ไม่คาดคิดได้ดีกว่า
- ▶ ใส่เสื้อผ้าที่เหมาะสม อย่าใส่เสื้อผ้าหลวมหรือสวมเครื่องประดับ อาภรณ์ เสื้อผ้า และถุงมือออกห่างส่วนของเครื่องที่กำลังหมุน เสื้อผ้าหลวม เครื่องประดับ และผมยาวอาจเข้าไปติดในส่วนของเครื่องที่กำลังหมุนได้

## 34 | ภาษาไทย

- ▶ หากต้องต่อเครื่องมือไฟฟ้าเข้ากับเครื่องดูดฝุ่นหรือเครื่องเก็บผง ดูให้แน่ใจว่าการเชื่อมต่อและการใช้งานเป็นไปอย่างถูกต้อง การใช้อุปกรณ์ดูดฝุ่นช่วยลดอันตรายที่เกิดจากฝุ่นได้

**การใช้และการดูแลรักษาเครื่องมือไฟฟ้า**

- ▶ อย่าใช้เครื่องมือไฟฟ้าอย่างหักโหม ใช้เครื่องมือไฟฟ้าที่ถูกต้องตรงตามลักษณะงาน เครื่องมือไฟฟ้าที่ถูกต้องจะทำงานได้ดีกว่าและปลอดภัยกว่าในระดับสมรรถภาพที่ออกแบบไว้
- ▶ อย่าใช้เครื่องมือไฟฟ้าที่สวิตช์เปิดปิดเสีย เครื่องมือไฟฟ้าที่ไม่สามารถควบคุมการเปิดปิดด้วยสวิตช์ได้ เป็นเครื่องมือไฟฟ้าที่ไม่ปลอดภัยและต้องส่งซ่อมแซม
- ▶ ก่อนปรับแต่งเครื่อง เปลี่ยนอุปกรณ์ประกอบ หรือเก็บเครื่องเข้าที่ ต้องถอดปลั๊กไฟออกจากเต้าเสียบและ/หรือถอดแหงแบตเตอรี่ออกจากเครื่องมือไฟฟ้า มาตรการป้องกันเพื่อความปลอดภัยนี้ช่วยลดความเสี่ยงจากการติดเครื่องโดยไม่ตั้งใจ
- ▶ เมื่อเลิกใช้งานเครื่องมือไฟฟ้า ให้เก็บเครื่องไว้ในที่ที่เด็กหยิบไม่ถึง และไม่อนุญาตให้บุคคลที่ไม่คุ้นเคยกับเครื่องหรือบุคคลที่ไม่ได้อ่านคำแนะนำนี้ใช้เครื่องมือไฟฟ้าเป็นของอันตรายหากตกอยู่ในมือของผู้ใช้ที่ไม่ได้รับการฝึกฝน
- ▶ เอาใจใส่ดูแลรักษาเครื่อง ตรวจสอบหาส่วนที่เคลื่อนไหวได้ของเครื่องว่าวางอยู่ตรงแนวหรือติดขัดหรือไม่ ตรวจสอบการแตกหักของชิ้นส่วนและสภาพอื่นใดที่อาจมีผลต่อการทำงานของเครื่องมือไฟฟ้า หากชำรุดต้องส่งเครื่องมือไฟฟ้าซ่อมแซมก่อนใช้งาน อุบัติเหตุหลายอย่างเกิดขึ้นเนื่องจากดูแลรักษาเครื่องไม่ดีพอ
- ▶ รักษาเครื่องมือตัดให้คมและสะอาด หากบำรุงรักษาเครื่องมือที่มีขอบตัดแหลมคมอย่างถูกต้อง จะสามารถตัดได้ลื่นไม่ติดขัดและควบคุมได้ง่ายกว่า
- ▶ ใช้เครื่องมือไฟฟ้า อุปกรณ์ประกอบ เครื่องมือ และอุปกรณ์อื่นๆ ให้ตรงตามคำแนะนำนี้ และในลักษณะตามที่เครื่องมือไฟฟ้าประเภทนั้นๆ กำหนดไว้ โดยต้องคำนึงถึงเงื่อนไขการทำงานและงานที่จะทำด้วย การใช้เครื่องมือไฟฟ้าทำงานที่ต่างไปจากวัตถุประสงค์การใช้งานของเครื่อง อาจนำไปสู่สถานการณ์ที่เป็นอันตรายได้

**การใช้และการดูแลรักษาเครื่องที่ใช้แบตเตอรี่**

- ▶ ชาร์จแบตเตอรี่ด้วยเครื่องชาร์จที่บริษัทผู้ผลิตระบุไว้เท่านั้น เครื่องชาร์จที่เหมาะสมสำหรับแบตเตอรี่ประเภทหนึ่ง หากนำไปชาร์จแบตเตอรี่ประเภทอื่น อาจเกิดไฟไหม้ได้
- ▶ ใช้แบตเตอรี่เฉพาะประเภทที่เครื่องมือไฟฟ้ากำหนดให้ใช้ได้ การใช้แบตเตอรี่ประเภทอื่นเสี่ยงต่อการเกิดไฟไหม้หรือบาดเจ็บ
- ▶ เมื่อไม่ใช้แบตเตอรี่ ให้เก็บแบตเตอรี่ไว้ห่างไกลวัตถุอื่นๆ เช่น ฟิล์มหมึกกระดาษ เหรียญ กุญแจ ตะปู สกรู หรือโลหะวัตถุขนาดเล็กอื่นๆ ที่สามารถต่อขั้วหนึ่งไปยังอีกขั้วหนึ่งได้ การลัดวงจรของขั้วแบตเตอรี่อาจทำให้เกิดการไหม้หรือฟลุ่กได้
- ▶ เมื่อใช้แบตเตอรี่ผิดวิธี อาจมีของเหลวไหลออกมาจากแบตเตอรี่ได้ ให้หลีกเลี่ยงการสัมผัสของเหลว หากสัมผัสโดยบังเอิญ ให้ใช้น้ำล้าง หากของเหลวเข้าตา

ให้ขอความช่วยเหลือจากแพทย์ด้วย ของเหลวที่ไหลออกมาจากแบตเตอรี่อาจทำให้เกิดอาการคันหรือแสบผิวหนังได้

**การบริการ**

- ▶ ส่งเครื่องมือไฟฟ้าให้ช่างผู้เชี่ยวชาญตรวจสอบและใส่อะไหล่เปลี่ยนของแท้เท่านั้น ในลักษณะนี้ท่านจะแน่ใจได้ว่าเครื่องมือไฟฟ้าอยู่ในสภาพที่ปลอดภัย

**คำเตือนเพื่อความปลอดภัยสำหรับเลื่อยวงเดือน****กระบวนการตัด**

- ▶ **อันตราย:** เอามือของท่านออกห่างจากบริเวณตัดและใบเลื่อย
- ▶ อย่าเอื้อมจับด้านล่างของชิ้นงาน กระบังป้องกันใบเลื่อยไม่สามารถป้องกันท่านจากใบเลื่อยได้ชิ้นงานได้
- ▶ **ปรับความลึกการตัดให้เหมาะสมกับความหนาของชิ้นงาน** ฟันเลื่อยควรไหลยื่นออกมาทางด้านล่างของชิ้นงานน้อยกว่าหนึ่งฟันเต็ม
- ▶ **อย่าใช้มือถือชิ้นงานที่จะตัดหรือจับภาคไว้บนขา** ให้วางชิ้นงานลงบนแท่นรองที่มั่นคง การยึดชิ้นงานอย่างถูกต้องเป็นเรื่องสำคัญมาก ทั้งนี้เพื่อลดอันตรายจากการสัมผัสกับร่างกาย การติดขัดของใบเลื่อย หรือการขาดการควบคุม
- ▶ **เมื่อทำงานในบริเวณที่เครื่องมือตัดอาจสัมผัสกับสายไฟฟ้าที่ซ่อนอยู่**  
ต้องจับเครื่องมือไฟฟ้าตรงด้ามจับที่หุ้มฉนวนเท่านั้น การสัมผัสกับสายที่มีกระแสไฟฟ้าไหลผ่านจะทำให้ส่วนที่เป็นโลหะของเครื่องมือไฟฟ้าเกิดมีกระแสไฟฟ้าด้วยและส่งผลให้ผู้ใช้งานเครื่องถูกไฟฟ้ากระตุกได้
- ▶ **เมื่อต้องการตัดตามยาวให้ใช้แถบกันหรือแหงนำเส้นตรงร่วมด้วยเสมอ** การทำเช่นนี้จะช่วยให้ตัดได้เที่ยงตรงขึ้นและลดการติดขัดของใบเลื่อย
- ▶ **ใช้ใบเลื่อยที่มีขนาดที่ถูกต้องและมีรูปประกอบที่เข้ากันได้เสมอ** (ต. ย . เช่น ทรงกลมหรือสี่เหลี่ยมข้าวหลามตัด) ใบเลื่อยที่ไม่เข้ากับส่วนประกอบของเครื่องเลื่อยจะวิ่งไม่อยู่ตรงกลางศูนย์และทำให้เกิดการควบคุม
- ▶ **อย่าใช้แหวนรองหรือโบลท์ยึดใบเลื่อยที่ไม่ถูกต้องหรือชำรุด** แหวนรองหรือโบลท์ยึดใบเลื่อยถูกออกแบบเป็นพิเศษสำหรับเครื่องเลื่อยของท่าน เพื่อทำงานให้ได้ประสิทธิภาพสูงสุดและเพื่อความปลอดภัยในการทำงาน
- ▶ **สาเหตุการตีกลับและคำเตือนที่เกี่ยวข้อง**
  - การตีกลับคือแรงสะท้อนกะทันหันที่เกิดจากใบเลื่อยถูกบีบอัด เหนี่ยวรั้ง หรือจัดไม่ตรงแนว ทำให้ใบเลื่อยที่ควบคุมไม่ได้ยกตัวขึ้น และเคลื่อนออกจากชิ้นงานไปยังผู้ใช้เครื่องมือ
  - หากใบเลื่อยถูกบีบอัดหรือเหนี่ยวรั้งอย่างแน่นหนายู่ในคลองเลื่อยที่ปิดลง ใบเลื่อยจะสะบัดหยุด และแรงมอเตอร์จะขับเคลื่อนกลับไปยังผู้ใช้เครื่องมืออย่างรวดเร็ว
  - หากใบเลื่อยเกิดบิดหรือถูกจัดไม่ตรงแนวอยู่ในร่องตัด ฟันที่ขอบใบเลื่อยด้านหลังอาจขูดเข้าไปในพื้นผิวไม้ด้านบน ทำให้ใบเลื่อยบินออกจากร่องเลื่อย และกระโดดกลับไปยังผู้ใช้เครื่องมือการตีกลับเป็นผลจากการใช้เครื่องมือเลื่อยในทางที่ผิด และ/หรือมีกระบวนการหรือเงื่อนไขการทำงานที่ไม่ถูกต้อง และสามารถหลีกเลี่ยงได้ด้วยวิธีการป้องกันไว้ก่อนอย่างถูกต้อง ดังคำแนะนำด้านล่างนี้

- ▶ **จับเครื่องเลื่อยอย่างมั่นคงและตั้งท่าแขนของท่านให้สามารถต้านแรงตักกลับได้ทันทีในลักษณะให้ใบเลื่อยอยู่ด้านข้างตัวท่านเสมอ** อย่าให้ใบเลื่อยอยู่ในแนวเดียวกับร่างกายของท่านอย่าเด็ดขาด เครื่องเลื่อยอาจกระโดดไปข้างหน้าในกรณีเกิดการตักกลับ แต่ผู้ใช้เครื่องจะสามารถควบคุมแรงตักกลับได้หากป้องกันไว้ก่อนอย่างถูกต้อง
- ▶ **เมื่อใบเลื่อยเกิดติดขัด หรือการตัดหยุดชะงักด้วยเหตุใดๆ ให้ปลดสวิตช์เปิด-ปิดและจับเครื่องนิ่งๆ ปล่อยให้เคลื่อนไหวในวัสดุจนกว่าใบเลื่อยจะหยุดนิ่งอย่างสิ้นเชิง อย่าพยายามเอาเครื่องเลื่อยออกจากชิ้นงานหรือดึงเครื่องเลื่อยไปข้างหน้าลงขณะใบเลื่อยกำลังวิ่งอยู่ มิฉะนั้นอาจเกิดการตักกลับได้ ตรวจสอบหาสาเหตุและดำเนินการแก้ไขเพื่อจัดการติดขัดของใบเลื่อย**
- ▶ **เมื่อสตาร์ทเครื่องเลื่อยอีกครั้งในชิ้นงาน ให้ตั้งใบเลื่อยไว้ตรงกลางในคลองเลื่อย และตรวจสอบไม่ให้ฟันเลื่อยขบอยู่ในวัสดุ** หากใบเลื่อยติดขัด ใบเลื่อยอาจเคลื่อนออกจากชิ้นงานหรือตักกลับเมื่อสตาร์ทเครื่องเลื่อยอีกครั้ง
- ▶ **หมุนแผ่นชิ้นงานที่มีขนาดใหญ่เพื่อลดความเสี่ยงจากการเปิดของหรือการตักกลับของใบเลื่อย** แผ่นชิ้นงานที่มีขนาดใหญ่มักจะห้อยหย่อนตามความถ่วงน้ำหนักของตัวแผ่นเอง ต้องใช้ที่รองหนุนใต้แผ่นชิ้นงานทั้งสองข้าง คือ ใกล้เส้นตัดและใกล้ขอบแผ่นชิ้นงาน
- ▶ **อย่าใช้ใบเลื่อยที่หรือชำรุด** ใบเลื่อยที่ฟันที่หรือจัดไม่ถูกต้องจะได้คลองเลื่อยแคบทำให้เกิดการเสียดสีมากเกินปกติ ใบเลื่อยติดขัด และเกิดการตักกลับ
- ▶ **ก่อนตัด ต้องสับและสันดาบปรับความลึกใบเลื่อยและปรับความลาดเอียงของมุมตัดให้แน่น** หากการปรับใบเลื่อยเคลื่อนที่ขณะทำการตัด อาจทำให้ใบเลื่อยติดขัดและตักกลับได้
- ▶ **ใช้ความระมัดระวังเป็นพิเศษเมื่อเลื่อยเข้าไปในตำแหน่งที่มีอยู่หรือพื้นที่อื่น ๆ ที่ไม่สามารถมองเห็นได้** ใบเลื่อยที่ยื่นออกมาอาจตัดเข้าไปในวัตถุที่อยู่ทำให้เกิดการตักกลับได้

#### การทำงานของกระบังล่าง

- ▶ **ตรวจสอบกระบังล่างให้ปิดอย่างถูกต้องก่อนใช้งานทุกครั้ง** อย่าใช้เครื่องเลื่อยหากกระบังล่างเคลื่อนไหวไปมาอย่างอิสระ ไม่ได้และไม่ได้ปิดในทันที อย่าหนีบหรือผูกกระบังล่างให้อยู่ในตำแหน่งเปิด หากเครื่องเลื่อยบังเอิญตก กระบังล่างอาจไถงอง เปิดกระบังล่างด้วยคันจับที่ซักรันได้และดูให้แน่ใจว่ากระบังล่างเคลื่อนไหวไปมาได้อย่างอิสระ และไม่ตะใบเลื่อยหรือส่วนอื่นใดในมุมตัดและความลึกการตัดทั้งหมด
- ▶ **ตรวจสอบการทำงานของสปริงของกระบังล่าง** หากกระบังและสปริงทำงานไม่ถูกต้อง ต้องส่งเข้ารับบริการก่อนใช้งาน กระบังล่างอาจทำงานเอียงเนื่องจากชิ้นส่วนชำรุด ชักมูกพัฒนาองติดเหนียว หรือกองสะสมกัน
- ▶ **เปิดกระบังล่างด้วยมือเฉพาะสำหรับการตัดแบบพิเศษเท่านั้น** เช่น "การตัดจ้วงและการตัดมุม" เปิดกระบังล่างด้วยคันจับที่ซักรันได้และปล่อยมือในพื้นที่ที่ใบเลื่อยจ้วงเข้าไปในชิ้นงาน สำหรับงานเลื่อยอื่นๆ กระบังล่างต้องทำงานเองโดยอัตโนมัติ

- ▶ **ก่อนวางเครื่องเลื่อยลงบนโต๊ะทำงานหรือบนพื้น** พึงสังเกตดูให้กระบังล่างครอบใบเลื่อยทุกครั้ง ใบเลื่อยที่ไม่ได้ถูกปกป้องและยังคงวิ่งต่อจะทำให้เครื่องเลื่อยเดินถอยหลัง ตัดสิ่งใดก็ตามที่ขวางทาง พึงคำนึงถึงระยะเวลาที่ใบเลื่อยจะหยุดหลังจากปลดสวิตช์แล้ว

#### คำสั่งเพิ่มเติมเพื่อความปลอดภัย

- ▶ **อย่ายื่นมือเข้าไปในช่องฟันซี่บวมอก** ท่านอาจบาดเจ็บจากชิ้นส่วนที่หมุนอยู่
- ▶ **อย่าใช้เครื่องเลื่อยทำงานเหนือศีรษะ** ในลักษณะนี้ท่านจะไม่สามารถควบคุมเครื่องมือไฟฟ้าได้อย่างเพียงพอ
- ▶ **ใช้เครื่องตรวจที่เหมาะสมตรวจสอบหาข้อผิดพลาดของไฟฟ้าที่อาจซ่อนอยู่ในบริเวณที่จะทำงาน หรือขอความช่วยเหลือจากบริษัททางท่อและสายไฟฟ้าในห้องกินการสัมผัสกับสาย ไฟฟ้าอาจทำให้เกิดไฟไหม้หรือถูกไฟฟ้าช็อกหรือดูดได้ การทำให้ท่อแก๊ซเสียหายอาจเกิดระเบิดได้ การเจาะเข้าในท่อน้ำ ทำให้ทรัพย์สินเสียหาย**
- ▶ **อย่าใช้เครื่องมือไฟฟ้าโดยตรงเครื่องอยู่กับที่** เครื่องมือไฟฟ้าที่ไม่ได้ออกแบบไว้สำหรับใช้กับโต๊ะเลื่อย
- ▶ **อย่าใช้ใบเลื่อยที่ห่างจากเหล็กเหนียว HSS (high speed steel)** ใบเลื่อยชนิดนี้แตกง่าย
- ▶ **อย่าเลื่อยโลหะที่เป็นเหล็กทุกชนิด** เศษขี้เลื่อยร้อนสีแดงสามารถจุดระเบิดฝุ่นให้ลุกไหม้ได้
- ▶ **ยึดชิ้นงานให้แน่น** การยึดชิ้นงานด้วยเครื่องมือหนีบหรือแท่นจับจะมั่นคงกว่าการยึดด้วยมือ
- ▶ **ก่อนวางเครื่องลงบนพื้นทุกครั้งต้องรอให้เครื่องหยุดนิ่งอยู่กับที่เสมอ** มิฉะนั้นเครื่องมือที่ใส่อยู่อาจติดขัดและนำไปสู่การสูญเสียการควบคุมเครื่องมือไฟฟ้า
- ▶ **อย่าเปิดแบตเตอรี่ด้วยตนเอง** อันตรายจากการลัดวงจร



ปกป้องแบตเตอรี่จากความร้อน ต. ย. เช่น จากแสงแดดจ้าที่ส่องอย่างต่อเนื่อง ไฟ น้ำ และความชื้น อันตรายจากการระเบิด

- ▶ **ในกรณีที่มีแบตเตอรี่ชำรุดและใช้แบตเตอรี่อย่างผิดถูก** อาจมีไอระเหยออกมา ให้สูดอากาศบริสุทธิ์และหาแพทย์ในกรณีเจ็บปวด ไอระเหยอาจทำให้ระบบหายใจระคายเคือง
- ▶ **ใช้แบตเตอรี่เฉพาะกับผลิตภัณฑ์ของ บอช** ของท่านเท่านั้น ในลักษณะนี้ แบตเตอรี่จะได้รับการปกป้องจากการใช้งานเกินกำลังซึ่งเป็นอันตราย
- ▶ **แบตเตอรี่แพคเกจได้รับการเสียหายจากวัตถุมีคม** ต. ย. เช่น ตะปูหรือไขควง หรือแรงกระทำจากภายนอก สิ่งเหล่านี้ อาจทำให้เกิดการลัดวงจรภายในและแบตเตอรี่ใหม่ มีควัน ระเบิด หรือร้อนเกินไพบ

## รายละเอียดผลิตภัณฑ์และข้อมูลจำเพาะ



ต้องอ่านคำเตือนเพื่อความปลอดภัยและคำสั่งทั้งหมด การไม่ปฏิบัติตามคำเตือนและคำสั่งอาจเป็นสาเหตุให้ถูกไฟฟ้าดูด เกิดไฟไหม้ และ/หรือได้รับบาดเจ็บอย่างร้ายแรง

## 36 | ภาษาไทย

**ประโยชน์การใช้งานของเครื่อง**

เครื่องนี้ใช้สำหรับตัดไม้ตามยาวและตามขวาง โดยตัดเป็นเส้นตรงและตัดเป็นมุมมากได้ขณะวางอย่างมั่นคงบนชิ้นงาน ไฟส่องของเครื่องมือไฟฟ้านี้มีไว้เพื่อส่องสว่างพื้นที่ทำงานของเครื่องมือไฟฟ้าโดยตรง และไม่เหมาะสำหรับใช้เพิ่มความสว่างภายในห้องในครัวเรือน

**ส่วนประกอบผลิตภัณฑ์**

ลำดับเลขของส่วนประกอบผลิตภัณฑ์อ้างอิงถึงส่วนประกอบของเครื่องที่แสดงในหน้าภาพประกอบ

- 1 แบตเตอรี่แพ็ค
- 2 แป้นปลดล็อกแบตเตอรี่
- 3 ปุ่มล็อกไม่ให้สวิตช์เปิด-ปิดทำงาน
- 4 สวิตช์เปิด-ปิด
- 5 ประแจขันทกเหลี่ยม
- 6 ปุ่มล็อกแกน
- 7 แผ่นฐาน
- 8 สกรูยึดสำหรับแผงกำหนดแนวขนาน
- 9 มาตรฐานมุมมาก
- 10 น็อตปิกสำหรับการเลือกมุมเอียงล่วงหน้า
- 11 เครื่องหมายตัด 45°
- 12 เครื่องหมายตัด 0°
- 13 กระบังป้องกันใบเลื่อย
- 14 ด้ามจับ (พื้นผิวจับหุ้มฉนวน)
- 15 ไฟแสดงสถานะการชาร์จแบตเตอรี่
- 16 ไฟแสดงการควบคุมอุณหภูมิ/การป้องกันการใช้งานเกินกำลัง
- 17 น็อตปิกสำหรับการเลือกความลึกการตัดล่วงหน้า
- 18 มาตรฐานส่วนความลึกการตัด
- 19 คันจับสำหรับกระบังป้องกันใบเลื่อยชนิดชักกันได้
- 20 แกนเครื่อง
- 21 กระบังป้องกันใบเลื่อยชนิดชักกันได้
- 22 น็อตรอง
- 23 ใบเลื่อย
- 24 น็อตยึด
- 25 โบลท์ยึด
- 26 หลอดไฟ "PowerLight"
- 27 เครื่องหมายอ้างอิงสำหรับการตั้งค่ามุมมาก
- 28 สกรูยึดข้อต่อท่อดูดออก
- 29 ข้อต่อท่อดูดออก\*
- 30 ท่อดูดฝุ่น\*
- 31 เครื่องหมายอ้างอิงสำหรับการตั้งค่าความลึกการตัด
- 32 แผงกำหนดแนวขนาน/แผ่นปรับรางนำ\*
- 33 ชุดเครื่องมือแบบขับเคลื่อน\*
- 34 รางนำ\*

\*อุปกรณ์ประกอบที่แสดงหรือระบุไม่รวมอยู่ในการจัดส่งมาตรฐาน กรุณาดูอุปกรณ์ประกอบทั้งหมดในรายการแสดงอุปกรณ์ประกอบของเรา

**ข้อมูลทางเทคนิค**

ตัวอย่างเคื่อง	GKS 12 V-LI	
หมายเลขสินค้า		3 601 FA1 0..
แรงดันไฟฟ้ากำหนด	V=	12
ความเร็วรอบเดินดั่วเปล่า	รอบ/นาที	1400
ความลึกการตัด สูงสุด		
- สำหรับมุมเอียง 0°	มม.	26.5
- สำหรับมุมเอียง 45°	มม.	17.0
การล็อกแกน		●
ขนาดแผ่นฐาน	มม.	167 x 88
เส้นผ่าศูนย์กลางใบเลื่อยยาวที่สุด	มม.	85
เส้นผ่าศูนย์กลางใบเลื่อยสั้นที่สุด	มม.	85
ความหนาใบเลื่อย สูงสุด	มม.	0.7
ความหนาฟันเลื่อย/ตรงที่แต่งฟันเลื่อย สูงสุด	มม.	1.1
ความหนาฟันเลื่อย/ตรงที่แต่งฟันเลื่อย น้อยสุด	มม.	1.0
รูประกอบ	มม.	15
น้ำหนักตามระเบียบการ EPTA-Procedure 01:2014	กก.	1.4
อุณหภูมิแวดล้อมที่อนุญาต		
- เมื่อชาร์จ	°C	0...+45
- เมื่อทำงาน และเมื่อจัดเก็บ	°C	-20...+50
แบตเตอรี่ที่แนะนำ		GBA 12V ...O-..
เครื่องชาร์จที่แนะนำ		GAL 12.. CV

\* ผลการทำงานน้อยลงที่อุณหภูมิ <0 °C กำหนดข้อมูลทางเทคนิคด้วยแบตเตอรี่ที่จัดส่งมา

**การประกอบ****การชาร์จแบตเตอรี่**

▶ ใช้เฉพาะเครื่องชาร์จแบตเตอรี่ตามรายการในหน้าอุปกรณ์ประกอบเท่านั้น เฉพาะเครื่องชาร์จแบตเตอรี่เหล่านี้เท่านั้นที่เข้าชุดกับแบตเตอรี่ลิเธียม ไอออน ของเครื่องมือไฟฟ้าของท่าน

**หมายเหตุ:** แบตเตอรี่ที่จัดส่งได้รับการชาร์จไฟไว้บ้างแล้วเพื่อให้แบตเตอรี่ทำงานได้เต็มประสิทธิภาพ ต้องชาร์จแบตเตอรี่ในเครื่องชาร์จแบตเตอรี่ให้เต็มก่อนใช้งานเครื่องมือไฟฟ้าของท่านเป็นครั้งแรก

แบตเตอรี่ลิเธียม ไอออน สามารถชาร์จได้ตลอดเวลาโดยอายุการใช้งานจะไม่ลดลง การชาร์จหวัะกระบวนการชาร์จไม่ทำให้แบตเตอรี่เสียหาย

"Electronic Cell Protection (ECP)" ป้องกันไม่ให้แบตเตอรี่ Li-ion จ่ายกระแสไฟฟ้าออกอีก เมื่อแบตเตอรี่หมดไฟ วงจรป้องกันจะดับสวิตช์เครื่อง เครื่องมือที่ใส่อยู่จะไม่หมุนต่อ

▶ หลังจากเครื่องดับสวิตช์โดยอัตโนมัติ อยากรดสวิตช์เปิด-ปิดต่อ แบตเตอรี่อาจเสียหายได้

อ่านและปฏิบัติตามข้อสังเกตสำหรับการกำจัดขยะ

**การถอดแบตเตอรี่**

แบตเตอรี่ 1 มีสองระดับการล็อกซึ่งจะป้องกันแบตเตอรี่ไม่ให้หล่นออกมาเมื่อแป้นปลดล็อกแบตเตอรี่ 2 ถูกกดโดยไม่ได้ตั้งใจ เมื่อแบตเตอรี่ถูกรวบรวมอยู่ในเครื่องมือไฟฟ้า สปริงจะยึดแบตเตอรี่ให้เข้าตำแหน่ง

เมื่อต้องการถอดแบตเตอรี่ 1 ให้กดแป้นปลดล็อกแบตเตอรี่ 2 และดึงแบตเตอรี่ออกจากเครื่องมือไฟฟ้าทางด้านท้ายอย่างใช้แรงดึง

**การแสดงสถานะการชาร์จแบตเตอรี่**

ไฟสัญญาณ LED สีเขียวสามดวงที่เป็นไฟแสดงสถานะการชาร์จแบตเตอรี่ 15 บ่งบอกถึงสถานะการชาร์จของแบตเตอรี่ 1 เพื่อความปลอดภัยกับ สถานภาพของสถานะการชาร์จสามารถตรวจสอบได้เมื่อเครื่องหยุดนิ่งอยู่กับที่เท่านั้น

กดสวิทช์เปิด-ปิด 4 ลงครึ่งทางหรือลงจนสุด เพื่อแสดงสถานะการชาร์จ

LED	ความจุ
ส่องสว่างต่อเนื่อง 3 x สีเขียว	$\geq 2/3$
ส่องสว่างต่อเนื่อง 2 x สีเขียว	$\geq 1/3$
ส่องสว่างต่อเนื่อง 1 x สีเขียว	$< 1/3$
ไฟกะพริบ 1 x สีเขียว	สำรอง

หากหลอด LED ไม่ติดขึ้นเมื่อกดสวิทช์เปิด-ปิด 4 แสดงว่าแบตเตอรี่เสีย และต้องเปลี่ยนใหม่

**การประกอบ/การเปลี่ยนใบเลื่อย**

- ▶ ก่อนปรับแต่งเครื่องมือไฟฟ้า ต้องถอดแบตเตอรี่ออก
- ▶ สวมถุงมือป้องกันอันตรายเมื่อประกอบใบเลื่อยเข้า การสัมผัสกับใบเลื่อยจะทำให้บาดเจ็บได้
- ▶ ใช้เฉพาะใบเลื่อยที่มีคุณสมบัติตรงตามที่กำหนดไว้ในหนังสือคู่มือการใช้งานเล่มนี้เท่านั้น
- ▶ ห้ามใช้จันขัดเป็นเครื่องมือตัดในทุกรณี

**การเลือกใบเลื่อย**

คำอธิบายโดยสรุปเกี่ยวกับใบเลื่อยที่แนะนำให้ใช้ ดูบทท้ายของหนังสือคู่มือการใช้งานเล่มนี้

**การถอดใบเลื่อย (ดูภาพประกอบ A)**

เมื่อต้องการเปลี่ยนเครื่องมือตัด ทางที่ดีที่สุด ควรวางเครื่อง โดยกลับเอาด้านหัวของที่ครอบมอเตอร์ลง

- กดปุ่มล็อกแกน 6 และกดค้ำไว้
- ▶ กดปุ่มล็อกแกน 6 เมื่อใบเลื่อยหยุดนิ่งอยู่กับที่แล้วเท่านั้น มิฉะนั้น เครื่องมือไฟฟ้าอาจชำรุดได้
- ใช้ประแจขันหกเหลี่ยม 5 ขัน โบลท์ยึด 25 ออกโดยหมุนไปในทิศทางหมุน ⚙
- กระดกกระบังป้องกันใบเลื่อยชนิดชักมันได้ 21 ไปด้านหลังและจับไว้ให้แน่น
- ถอดน็อตยึด 24 และใบเลื่อย 23 ออกจากแกนเครื่อง 20

**การประกอบใบเลื่อย (ดูภาพประกอบ A)**

เมื่อต้องการเปลี่ยนเครื่องมือตัด ทางที่ดีที่สุด ควรวางเครื่อง โดยกลับเอาด้านหัวของที่ครอบมอเตอร์ลง

- ทำความสะอาดใบเลื่อย 23 และชิ้นส่วนยึดหนีบที่จะประกอบเข้าทั้งหมด

- กระดกกระบังป้องกันใบเลื่อยชนิดชักมันได้ 21 ไปด้านหลังและจับไว้ให้แน่น
- ประกอบใบเลื่อย 23 เข้ากับนอตรอง 22 ทิศทางตัดของฟัน (ทิศทางลูกศรบนใบเลื่อย) และทิศทางหมุนของลูกศรที่แสดงบนกระบังป้องกันใบเลื่อยชนิดชักมันได้ 21 ต้องชี้ไปทางเดียวกัน
- ประกอบน็อตยึด 24 และขันโบลท์ยึด 25 เข้าโดยหมุนไปในทิศทางหมุน ⚙ สังเกตดูให้นอตรอง 22 และน็อตยึด 24 อยู่ในตำแหน่งประกอบที่ถูกต้อง
- กดปุ่มล็อกแกน 6 และกดค้ำไว้
- ใช้ประแจขันหกเหลี่ยม 5 ขัน โบลท์ยึด 25 เข้าให้แน่นโดยหมุนไปในทิศทางหมุน ⚙ แรงบิดการขันอยู่ระหว่าง 6–9 Nm ซึ่งมีค่าเท่ากับการหมุนด้วยมือจนถึงบวก ¼ รอบ

**การดูแล/ขี้อายุ**

- ▶ ก่อนปรับแต่งเครื่องมือไฟฟ้า ต้องถอดแบตเตอรี่ออก
  - ▶ ผู้ที่ได้จากวัสดุ เช่น เคลือบผิวที่มีสารตะกั่ว ไม่บางประเภท แร่ธาตุ และโลหะ อาจเป็นอันตรายต่อสุขภาพ การสัมผัสหรือการหายใจเอาฝุ่นเข้าปอดอาจทำให้เกิดปฏิกิริยาแพ้ฝุ่นและ/หรือนำมาซึ่งโรคติดเชื้อระบบหายใจแก่ผู้ใช้เครื่องหรือผู้ที่ยืนอยู่ใกล้เคียง
  - ▶ ฝุ่นบางประเภท เช่น ฝุ่นไม้โอ๊ก หรือ ไม้บีช นั้นเป็นสารที่ทำให้เกิดมะเร็ง โดยเฉพาะอย่างยิ่งเมื่อผสมกับสารเติมแต่งเพื่อบำบัดไม้ (โครเมต ผลิตภัณฑ์รักษาเนื้อไม้) สำหรับวัสดุที่มีแอลกอฮอล์ต้องให้ผู้เชี่ยวชาญทำงานเท่านั้น
  - เพื่อลดฝุ่นออกให้ได้มากที่สุด ให้ต่อเครื่องดูดฝุ่นที่เหมาะสมเข้ากับเครื่องมือไฟฟ้านี้
  - จัดสถานที่ทำงานให้มีการระบายอากาศที่ดี
  - ขอแนะนำให้สวมหน้ากากป้องกันการติดเชื้อที่มีระดับ-ไส้กรอง P2
- ปฏิบัติตามกฎข้อบังคับสำคัญอื่นๆ ที่เกี่ยวกับวัสดุชิ้นงานที่บังคับใช้ในประเทศของท่าน

**การประกอบข้อต่อท่อดูดออก (ดูภาพประกอบ B)**

ยึดข้อต่อท่อดูดออก 29 เข้ากับแผ่นฐาน 7 ด้วยสกรูยึด 28 ท่อดูดฝุ่นขนาดเส้นผ่าศูนย์กลาง 19 มม. สามารถต่อเข้ากับข้อต่อท่อดูดออก 29

- ▶ อย่างประกอบข้อต่อท่อออกหากไม่มีการต่อเข้ากับเครื่องดูดฝุ่นภายนอก มิฉะนั้นช่องดูดออกอาจอุดตันได้
- ▶ อย่างสวมถุงเก็บผงเข้ากับข้อต่อท่อดูดออก มิฉะนั้นระบบดูดออกอาจอุดตันได้

เพื่อให้ชุดผงออกได้อย่างมีประสิทธิภาพมากที่สุด ต้องทำให้ความสะอาดข้อต่อท่อดูดออก 29 เป็นประจำ

**การดูดฝุ่นด้วยเครื่องดูดฝุ่นภายนอก**

ต่อท่อดูดฝุ่น 30 เข้ากับเครื่องดูดฝุ่น (อุปกรณ์ประกอบ) คำอธิบายโดยสรุปเกี่ยวกับการต่อเข้ากับเครื่องดูดฝุ่นประเภทต่างๆ ดูบทท้ายของหนังสือคู่มือการใช้งานเล่มนี้ เครื่องดูดฝุ่นต้องมีลักษณะการใช้งานที่เหมาะสมกับประเภทวัสดุชิ้นงาน

ในกรณีดูดฝุ่นแห้งที่เป็นอันตรายต่อสุขภาพอย่างยิ่งหรืออาจก่อให้เกิดมะเร็งได้ ให้ใช้เครื่องดูดฝุ่นพิเศษ

## การปฏิบัติงาน

### วิธีการปฏิบัติงาน

- ▶ ก่อนปรับแต่งเครื่องมือไฟฟ้า ต้องถอดแบตเตอรี่ออก

#### การปรับความลึกการตัด (รูปภาพประกอบ C)

- ▶ **ปรับความลึกการตัดให้เหมาะกับความต้องการของชิ้นงาน** ฟันเลื่อยควรไหลยื่นออกมาทางด้านล่างของชิ้นงานน้อยกว่าหนึ่งฟันเต็ม

คลายน็อตปิก 17 ออก สำหรับความลึกการตัดน้อย ให้ดึงเครื่องออกจากแผ่นฐาน 7; สำหรับความลึกการตัดมาก ให้ดันเครื่องเข้าหาแผ่นฐาน 7 ปรับความลึกการตัดที่ต้องการที่มาตราส่วนความลึกการตัด 18 ชันน็อตปิก 17 กลับเข้าที่แน่น

เมื่อตั้งค่าความลึกการตัด ให้ใช้เครื่องหมายอ้างอิง 31 ที่ด้านข้างของมาตราส่วนความลึกการตัด 18

#### การปรับมุมตัด

ทางที่ดีที่สุด ควรวางเครื่องโดยกลับเอาด้านหัวของกระบะป้องกันใบเลื่อย 13 ลง

คลายน็อตปิก 10 ออก เอียงเครื่องเลื่อยไปทางด้านข้างปรับขนาดที่ต้องการที่มาตรวัด 9 ชันน็อตปิก 10 กลับเข้าที่แน่น

เมื่อตั้งค่ามุมมาก ให้ใช้เครื่องหมายอ้างอิง 27 (ขอบบนของที่ยึดจับ)

**หมายเหตุ:** สำหรับการตัดมุมเอียง จะได้ความลึกการตัดน้อยกว่าค่าที่แสดงบนมาตราส่วนวัดความลึกการตัด 18

#### เครื่องหมายตัด

เครื่องหมายตัด 0° 12 แสดงตำแหน่งของใบเลื่อยสำหรับ การตัดเป็นมุมฉาก เครื่องหมายตัด 45° 11 แสดงตำแหน่งของใบเลื่อยสำหรับการตัด 45°

### เริ่มต้นปฏิบัติงาน

#### การใส่แบตเตอรี่

- ▶ ใช้เฉพาะแบตเตอรี่ลิเธียม ไอออน ของแท้ของ บอช ที่มีแรงดันไฟฟ้าตามที่ระบุไว้บนแผ่นป้ายที่ติดของเครื่องมือไฟฟ้าของท่านเท่านั้น การใช้แบตเตอรี่ประเภทอื่นอาจทำให้ได้รับบาดเจ็บและเสี่ยงต่อการเกิดไฟไหม้

ใส่แบตเตอรี่ 1 ที่ชาร์จแล้วจากด้านหน้าเข้าในฐานของเครื่องมือไฟฟ้า ดันแบตเตอรี่เข้าในฐานจนมองไม่เห็นแถบสีแดงอีกและแบตเตอรี่ถูกล็อกอย่างมั่นคง

#### การเปิด-ปิดเครื่อง

**เปิดเครื่องทำงานโดยในเบื้องต้น** ให้กดปุ่มล็อกไม่ให้สวิตช์เปิด-ปิดทำงาน 3 และจากนั้นจึงกดสวิตช์เปิด-ปิด 4 และกดค้างไว้

ปิดเครื่องโดยปล่อยนิ้วจากสวิตช์เปิด-ปิด 4

**หมายเหตุ:** ด้วยเหตุผลด้านความปลอดภัย จึงไม่สามารถล็อกสวิตช์เปิด-ปิด 4 ได้ จะต้องกดสวิตช์เปิด-ปิดตลอดเวลาปฏิบัติงาน

#### เบรกกันการหมุนต่อ

เบรกกันการหมุนต่อที่เบ็ดเสร็จในตัวจะลดช่วงเวลาหมุนต่อของใบเลื่อยหลังปิดเครื่อง

#### การแสดงการควบคุมอุณหภูมิ/การป้องกันการใช้งานเกินกำลัง

ไฟแสดง LED 16 สีแดงจะช่วยปกป้องแบตเตอรี่จากความร้อนจัด และปกป้องมอเตอร์จากการใช้งานเกินกำลัง

เมื่อไฟแสดง LED 16 ติดขึ้นสีแดงอย่างต่อเนื่อง แสดงว่าอุณหภูมิของแบตเตอรี่สูงเกินไป และเครื่องปิดสวิตช์โดยอัตโนมัติ

- ปิดสวิตช์เครื่องมือไฟฟ้า
- ปล่อยให้แบตเตอรี่เย็นลงก่อนทำงานต่อ

เมื่อไฟแสดง LED 16 **กะพริบสีแดง** เครื่องมือไฟฟ้าถูกล็อกและปิดสวิตช์โดยอัตโนมัติ

นำเครื่องมือไฟฟ้าออกจากชิ้นงาน

ทันทีที่แก้ไขภาวะติดขัดได้แล้ว เครื่องมือไฟฟ้าจะทำงานต่อไป

#### การป้องกันการหมดประจุโดยสิ้นเชิง (deep discharge)

"Electronic Cell Protection (ECP)" ป้องกันไม่ให้แบตเตอรี่ Li-ion จ่ายกระแสไฟฟ้ออกอีก เมื่อแบตเตอรี่หมดไฟ วงจรป้องกันจะดับสวิตช์เครื่อง เครื่องมือที่ใส่อยู่จะไม่มีหมุนต่อ

#### การเปิดไฟส่องบริเวณทำงาน LED

หลอดไฟ 26 จะติดขึ้นเมื่อกดสวิตช์เปิด-ปิด 4 เข้าเพียงเล็กน้อยหรือกดจนมืด และบริเวณทำงานจะส่องสว่างเมื่อตรงนั้นมีสภาพแสงที่ไม่ดี

#### ข้อแนะนำในการทำงาน

ต้องป้องกันใบเลื่อยไม่ให้ถูกระเบิดประกบ

เคลื่อนเครื่องอย่างสม่ำเสมอและป้อนเบาๆ ไปในทิศทางที่ต้องการเคลื่อนเครื่องไปข้างหน้าเกินกำลังจะบั่นทอนอายุการใช้งานของเครื่องมือตัดและอาจทำให้เครื่องมือไฟฟ้าชำรุดได้ ประสิทธิภาพการเลื่อยและคุณภาพการตัดขึ้นอยู่กับสภาพและลักษณะพื้นของใบเลื่อยเป็นหลัก ดังนั้นให้ใช้เฉพาะใบเลื่อยที่เหมาะสมกับประเภทวัสดุชิ้นงานเท่านั้น

#### การเลื่อยไม้

หลักการเลือกให้ได้ใบเลื่อยที่ถูกตอง คือต้องเลือกตามประเภทของไม้ คุณภาพของไม้ และต้องดูว่าต้องการตัดตามยาวหรือตามขวาง

เมื่อตัดไม้จำพวกสนตามแนวยาว จะได้เศษไม้ชิ้นเป็นวงยาว ฝุ่นไม้ไ้ก้ และไม้ปี้ช เป็นอันตรายต่อสุขภาพอย่างยิ่ง ดังนั้นเมื่อทำงานต้องดูดฝุ่นออกเสมอ

#### การเลื่อยโดยใช้แฉกกำหนดแนวขนาน (รูปภาพประกอบ D)

แฉกกำหนดแนวขนาน 32 ทำให้สามารถตัดเลื่อยขอบชิ้นงานและตัดเป็นท่อนยาวในขนาดเท่าๆ กันได้อย่างเที่ยงตรง กำหนดความกว้างที่ต้องการตัดที่ขอบด้านนอกของแผ่นฐาน โดยใช้มาตราส่วนบนแถบนำของแฉกกำหนดแนวขนาน/แผ่นปรับรางนำ (รูปภาพประกอบ D)

#### การเลื่อยโดยใช้แฉกช่วยนำทาง (รูปภาพประกอบ F)

สำหรับการตัดชิ้นงานขนาดใหญ่หรือตัดขอบตรง ให้หนีบแผ่นกระดานหรือท่อนไม้ยาวเข้ากับชิ้นงานเพื่อใช้เป็นแฉกช่วยนำทาง ท่านสามารถเคลื่อนแผ่นฐานของเลื่อยวงเดือนเลื่อยไปตามแฉกช่วยนำทาง

**การเลื่อยโดยใช้น้ำ (ดูภาพประกอบ E)**

รายน่า 34 ใช้สำหรับการตัดตรง

**หมายเหตุ:** ใช้น้ำ 34 เฉพาะสำหรับการตัดเป็นมุมฉากเท่านั้น หากใช้สำหรับการตัดเป็นมุมฉาก รายน่า 34 อาจชำรุดได้

ผิวฉาบที่มีความหนืดช่วยป้องกันไม่ให้รายน่าลื่นไถลและปกป้องผิวหน้าของชิ้นงาน ผิวฉาบของรายน่าช่วยให้สามารถเคลื่อนน้ำเลื่อยวงเดือนได้อย่างง่ายดาย

ยึดรายน่า 34 เข้ากับชิ้นงานด้วยอุปกรณ์ยึดที่เหมาะสม เช่น แคลมป์สกรู วางเครื่องมือไฟฟ้าที่ติดตั้งแผ่นปรับรายน่าไว้บนรายน่า

**หมายเหตุ:** ติดตั้งแผงกำหนดแนวขนาน/แผ่นปรับรายน่า 32 เข้ากับเครื่องมือไฟฟ้าโดยให้โลโก้ บ็ช หลังด้านล่าง

**รายน่า 34 ต้องไม่ยื่นออกนอกชิ้นงานตรงด้านที่จะเริ่มทำการตัด**

เปิดเครื่องทำงาน และเคลื่อนเครื่องไปในแนวตัดโดยป้อนไปอย่างสม่ำเสมอด้วยแรงพอประมาณ

**การทำงานกับแผงกำหนดแนวขนาน/แผ่นปรับรายน่า และท่อตัดดูดฝุ่น**

ในขั้นแรก ให้ติดตั้งข้อต่อท่อตัดดูด 29 เข้ากับท่อตัดดูด 30 จากนั้นจึงติดตั้งแผงกำหนดแนวขนาน/แผ่นปรับรายน่า 32

**หมายเหตุ:** เมื่อยึดแผงกำหนดแนวขนาน/แผ่นปรับรายน่า 32 และข้อต่อท่อตัดดูด 29 ให้ใช้สกรูที่เตรียมไว้โดยเฉพาะเท่านั้น!

**ข้อแนะนำในการปฏิบัติต่อแบตเตอรี่อย่างเหมาะสมที่สุด**

ปกป้องแบตเตอรี่จากความชื้นและน้ำ

เก็บแบตเตอรี่ไว้ในพิสัยอุณหภูมิระหว่าง  $-20^{\circ}\text{C}$  และ  $50^{\circ}\text{C}$  เท่านั้น ตัวอย่าง เช่น ต้องไม่ทิ้งแบตเตอรี่ไว้ในรถยนต์ในฤดูร้อน

ทำความสะอาดช่องระบายอากาศเป็นครั้งคราวโดยใช้แปรงขนอ่อนที่แห้งและสะอาด

หลังจากชาร์จแบตเตอรี่แล้ว หากแบตเตอรี่มีช่วงเวลาทำงานสั้นมาก แสดงว่าแบตเตอรี่เสื่อมและต้องเปลี่ยนใหม่ อ่านและปฏิบัติตามข้อสังเกตสำหรับการกำจัดขยะ

**การบำรุงรักษาและการบริการ****การบำรุงรักษาและการทำความสะอาด**

- ▶ **ก่อนปรับแต่งเครื่อง (ต.ย. เช่น เมื่อบำรุงรักษา เปลี่ยนเครื่องมือ และอื่นๆ) และขณะขนย้ายและเก็บเครื่อง** เข้าที่ ให้ถอดแบตเตอรี่ออกจากเครื่องมือไฟฟ้า อันตรายนจากการบาดเจ็บหากสวิตช์เปิด-ปิดติดขึ้นอย่างไม่ตั้งใจ
- ▶ **เพื่อให้ทำงานได้อย่างถูกต้องและปลอดภัย ต้องรักษาเครื่องและช่องระบายอากาศให้สะอาดอยู่เสมอ**

กระบังป้องกันใบเลื่อยชนิดซักรันได้ต้องเคลื่อนไหวไปมาได้ อย่างอิสระและซักรันได้โดยอัตโนมัติตลอดเวลา ดังนั้นต้องรักษาบริเวณรอบๆ กระบังป้องกันใบเลื่อยชนิดซักรันได้ให้สะอาดอยู่เสมอ เอาผงฝุ่นและเศษไม้ออกโดยเป่าด้วยอากาศอัดหรือใช้แปรงปัด

ใบเลื่อยที่ไม่ได้เคลือบสามารถใช้น้ำมันที่ไม่มีกรดต่างๆ เพื่อป้องกันสนิม; ต้องเช็ดน้ำมันออกก่อนใช้ใบเลื่อย มิฉะนั้น น้ำมันจะแข็งตัวทำให้สกปรกได้

เศษเลื่อยของยางไม้และกาวบนใบเลื่อยทำให้ตัดได้ไม่ดี ดังนั้นให้ทำความสะอาดใบเลื่อยทันทีหลังใช้งาน

**การบริการหลังการขายและคำแนะนำการใช้งาน**

ศูนย์บริการหลังการขายของเรายินดีตอบคำถามเกี่ยวกับการบำรุงรักษาและการซ่อมแซมผลิตภัณฑ์ของท่าน รวมทั้งชิ้นส่วนอะไหล่ ภาพแยกชิ้นประกอบและข้อมูลเกี่ยวกับชิ้นส่วนอะไหล่ยังสามารถดูได้ใน:

[www.bosch-pt.com](http://www.bosch-pt.com)

ทีมงานให้คำแนะนำการใช้งานของ บ็ช ยินดีตอบคำถามเกี่ยวกับผลิตภัณฑ์ของเราและอุปกรณ์ประกอบของผลิตภัณฑ์

เมื่อต้องการสอบถามและสั่งซื้ออะไหล่ กรุณาแจ้งหมายเลขสินค้า 10 หลังบนแผ่นป้ายรุ่นของผลิตภัณฑ์ทุกครั้ง

ในกรณีประกัน ซ่อมแซม หรือซื้อชิ้นส่วนมาเปลี่ยน กรุณาติดต่อ ผู้ขายที่ได้รับแต่งตั้งเท่านั้น

**ไทย**

บริษัท โรเบิร์ต บ็ช จำกัด

ชั้น 11 ตึกลิเบอร์ตี สแควร์

287 ถนนสีลม บางรัก

กรุงเทพฯ 10500

โทรศัพท์ 02 6393111

โทรสาร 02 2384783

บริษัท โรเบิร์ต บ็ช จำกัด ตู้ ปณ. 2054

กรุงเทพฯ 10501 ประเทศไทย

[www.bosch.co.th](http://www.bosch.co.th)

ศูนย์บริการซ่อมและฝึกอบรม บ็ช

อาคาร ลาซาลทาวเวอร์ ชั้น G ห้องเลขที่ 2

บ้านเลขที่ 10/11 หมู่ 16

ถนนศรีนครินทร์

ตำบลบางแก้ว อำเภอบางพลี

จังหวัดสมุทรปราการ 10540

ประเทศไทย

โทรศัพท์ 02 7587555

โทรสาร 02 7587525

**การขนส่ง**

แบตเตอรี่ลิเธียม ไอออน ที่บรรจุอยู่ภายใต้ข้อกำหนดแห่งกฎหมายสินค้าอันตราย ผู้ใช้สามารถขนส่งแบตเตอรี่โดยทางถนนโดยไม่มีข้อบังคับอื่น

หากขนส่งโดยบุคคลที่สาม (เช่น: การขนส่งทางอากาศ หรือตัวแทนขนส่งสินค้า) ต้องปฏิบัติตามข้อกำหนดพิเศษเกี่ยวกับการบรรจุภัณฑ์และการติดฉลาก ในการจัดเตรียมสิ่งของที่จะจัดส่ง ต้องปรึกษาผู้เชี่ยวชาญสำหรับวัตถุดิบอันตราย

ส่งแบตเตอรี่เมื่อตัวหุ้มไม่ชำรุดเสียหายเท่านั้น ใช้แถบกาวพันปิดหน้าสัมผัสที่เปิดอยู่ และนำแบตเตอรี่ใส่กล่องบรรจุโดยไม่ให้เคลื่อนไปมาในกล่องได้นอกจากนี้กรุณาปฏิบัติตามกฎระเบียบของประเทศซึ่งอาจมีรายละเอียดเพิ่มเติม

**การกำจัดขยะ**

เครื่อง แบตเตอรี่ที่นำกลับมาชาร์จใหม่ได้ อุปกรณ์ประกอบ และหีบห่อ ต้องนำไปแยกประเภทวัสดุเพื่อนำกลับมาใช้ใหม่โดยไม่ทำลายสภาพแวดล้อม อย่างไรก็ตามอย่าทิ้งเครื่องมือไฟฟ้าและแบตเตอรี่/แบตเตอรี่ที่นำกลับมาชาร์จใหม่ได้ ลงในขยะบ้าน!

**แบตเตอรี่ลิเธียม/แบตเตอรี่:****Li-ion:**

กรุณารับผิดตามคำสั่งใบบพ "การขนส่ง" หน้า 39

ขอสงวนสิทธิ์ในการเปลี่ยนแปลงโดยไม่ต้องแจ้งล่วงหน้า

**Bahasa Indonesia****Petunjuk-Petunjuk untuk Keselamatan Kerja****Petunjuk-Petunjuk Umum untuk Perangkat Listrik**

**PERHATIKANLAH** Bacalah semua petunjuk-petunjuk untuk keselamatan kerja dan petunjuk-petunjuk untuk penggunaan.

Kesalahan dalam menjalankan petunjuk-petunjuk untuk keselamatan kerja dan petunjuk-petunjuk untuk penggunaan dapat mengakibatkan kontak listrik, kebakaran dan/atau luka-luka yang berat.

**Simpanlah semua petunjuk-petunjuk untuk keselamatan kerja dan petunjuk-petunjuk lainnya untuk penggunaan di masa depan.**

Kata „perkakas listrik“ yang disebutkan di dalam petunjuk-petunjuk untuk keselamatan kerja adalah sebutan untuk perangkat listrik pakai listrik jaringan (dengan kabel) dan untuk perangkat listrik tenaga baterai (tanpa kabel listrik).

**Keselamatan kerja di tempat kerja**

- ▶ **Jagalah supaya tempat kerja selalu bersih dan terang.** Tempat kerja yang tidak rapi atau tidak terang dapat mengakibatkan terjadinya kecelakaan.
- ▶ **Janganlah menggunakan perangkat listrik di tempat di mana dapat terjadi ledakan, di mana ada cairan, gas atau debu yang mudah terbakar.** Perangkat listrik dapat memancarkan bunga api yang lalu mengakibatkan debu atau uap terbakar.
- ▶ **Selama menggunakan perangkat listrik, jauhkan anak-anak dan orang-orang lain dari tempat kerja.** Jika konsentrasi terganggu, bisa jadi Anda tidak bisa mengendalikan perangkat listrik tersebut.

**Keamanan listrik**

- ▶ **Steker dari perangkat listrik harus cocok pada stopkontak. Janganlah sekali-kali merubah steker. Janganlah menggunakan steker perantara bersama dengan perangkat listrik yang mempunyai hubungan arde.** Steker yang tidak dirubah dan stopkontak yang cocok mengurangi bahaya terjadinya kontak listrik.
- ▶ **Jagalah supaya badan Anda tidak bersentuhan dengan permukaan yang mempunyai hubungan arde, misalnya pipa-pipa, radiator pemanas ruangan, kompor listrik dan lemari es.** Ada risiko besar terjadi kontak listrik, jika badan Anda mempunyai hubungan arde.
- ▶ **Jagalah supaya perangkat listrik tidak kena hujan atau menjadi basah.** Air yang masuk ke dalam perangkat listrik menambah risiko terjadinya kontak listrik.
- ▶ **Janganlah menyalah gunakan kabel listrik untuk mengangkat dan menggantungkan perangkat listrik atau untuk menarik steker dari stopkontak. Jagalah supaya kabel listrik tidak kena panas, minyak, pinggiran yang tajam atau bagian-bagian perangkat yang bergerak.** Kabel listrik yang rusak atau tersangkut menambah risiko terjadinya kontak listrik.
- ▶ **Jika Anda menggunakan perangkat listrik di luar gedung, gunakanlah hanya kabel sambungan yang juga cocok untuk pemakaian di luar gedung.** Penggunaan kabel sambungan yang cocok untuk pemakaian di luar gedung mengurangi risiko terjadinya kontak listrik.
- ▶ **Jika penggunaan perangkat listrik di tempat yang basah tidak bisa dihindarkan, gunakanlah sakelar pengaman terhadap arus penyimpangan.** Penggunaan sakelar pengaman terhadap arus penyimpangan mengurangi risiko terjadinya kontak listrik.

**Keselamatan kerja**

- ▶ **Berhati-hatilah selalu, perhatikanlah apa yang Anda kerjakan dan bekerjalah dengan seksama jika menggunakan perangkat listrik. Janganlah menggunakan perangkat listrik, jika Anda capai atau berada di bawah pengaruh narkoba, minuman keras atau obat.** Jika Anda sekejap mata saja tidak berhati-hati sewaktu menggunakan perangkat listrik, dapat terjadi luka-luka berat.
- ▶ **Pakailah pakaian dan sarana pelindung dan pakailah selalu kaca mata pelindung.** Dengan memakai pakaian dan sarana pelindung, misalnya kedok anti debu (masker), sepatu tertutup yang tidak licin, helm pelindung atau pemalut telinga sesuai dengan pekerjaan yang dilakukan dengan perangkat listrik, bahaya terjadinya luka-luka dapat dikurangi.
- ▶ **Jagalah supaya perangkat listrik tidak dihidupkan secara tidak disengaja. Perhatikan bahwa perangkat listrik dalam penyetelan mati, jika steker disambungkan pada pengadaan listrik dan/atau baterai, jika perangkat listrik diangkat atau dibawa.** Jika selama mengangkat perangkat listrik jari Anda berada pada tombol untuk menghidupkan dan mematikan atau perangkat listrik yang dalam penyetelan hidup disambungkan pada listrik, dapat terjadi kecelakaan.



- ▶ **Lepaskan semua perkakas-perkakas penyetelan atau kunci-kunci pas sebelum perkakas listrik dihidupkan.** Perkakas atau kunci yang berada di dalam bagian yang berputar dapat mengakibatkan terjadinya luka-luka.
- ▶ **Aturkan badan sedemikian sehingga Anda bisa bekerja dengan aman. Berdirilah secara mantap dan jagalah selalu keseimbangan.** Dengan demikian Anda bisa mengendalikan perkakas listrik dengan lebih baik, jika terjadi sesuatu dengan tiba-tiba.
- ▶ **Pakailah pakaian yang cocok. Janganlah memakai pakaian yang longgar atau perhiasan. Jagalah supaya rambut, pakaian dan sarung tangan tidak masuk dalam bagian-bagian perkakas yang bergerak.** Pakaian yang longgar, rambut panjang atau perhiasan dapat tersangkut dalam bagian perkakas yang bergerak.
- ▶ **Jika ada kemungkinan untuk memasang sarana penghisapan dan penampungan debu, perhatikan bahwa sarana-sarana ini telah dipasang dan digunakan dengan betul.** Penggunaan sarana penghisapan bisa mengurangi bahaya yang disebabkan debu.

#### Penggunaan dan penanganan perkakas listrik dengan seksama

- ▶ **Janganlah membebankan perkakas listrik terlalu berat. Gunakan selalu perkakas listrik yang cocok untuk pekerjaan yang dilakukan.** Dengan perkakas listrik yang cocok Anda bekerja lebih baik dan lebih aman dalam batas-batas kemampuan yang ditentukan.
  - ▶ **Janganlah menggunakan perkakas listrik yang tombolnya rusak.** Perkakas listrik yang tidak bisa dihidupkan atau dimatikan, berbahaya dan harus direparasikan.
  - ▶ **Tariklah steker dari stopkontak dan/atau keluarkan baterai, sebelum Anda melakukan penyetelan pada perkakas listrik, mengganti alat-alat kerja atau sebelum menyimpan perkakas listrik.** Tindakan keselamatan kerja ini mengurangi bahaya perkakas listrik hidup secara tidak disengaja.
  - ▶ **Simpanlah perkakas listrik yang tidak digunakan di luar jangkauan anak-anak. Janganlah mengizinkan orang-orang yang tidak mengenal perkakas listrik ini atau yang belum membaca petunjuk-petunjuk ini, menggunakan perkakas listrik ini.** Perkakas listrik bisa menjadi berbahaya, jika digunakan oleh orang-orang yang tidak mengenalnya.
  - ▶ **Rawatlah perkakas listrik dengan seksama. Periksalah, apakah bagian-bagian perkakas listrik yang bergerak berfungsi dengan baik dan tidak tersangkut, apakah ada bagian-bagian yang patah atau rusak sedemikian, sehingga dapat mempengaruhi jalannya perkakas listrik. Biarkan bagian-bagian perkakas yang rusak direparasikan, sebelum Anda mulai menggunakan perkakas listrik.** Banyak kecelakaan terjadi karena perkakas listrik tidak dirawat dengan seksama.
  - ▶ **Perhatikan supaya alat-alat pemotong selalu tajam dan bersih.** Alat-alat pemotong dengan mata-mata pemotong yang tajam dan dirawat dengan seksama tidak mudah tersangkut dan lebih mudah dikendalikan.
- ▶ **Gunakanlah semua perkakas listrik, aksesoris, alat-alat kerja dsb. sesuai dengan petunjuk-petunjuk. Perhatikan syarat-syarat kerja dan macam pekerjaan yang dilakukan.** Penggunaan perkakas listrik untuk macam pekerjaan yang tidak cocok dengan kegunaannya bisa mengakibatkan keadaan yang berbahaya.

#### Penanganan dan penggunaan perkakas-perkakas pakai baterai dengan seksama

- ▶ **Isikan baterai hanya dalam alat-alat pencas baterai yang dianjurkan oleh pabrik.** Jika suatu alat pencas baterai yang cocok untuk mengisi satu macam baterai tertentu, digunakan untuk mengisi baterai-baterai lainnya, ada bahaya terjadinya kebakaran.
- ▶ **Gunakanlah hanya baterai-baterai yang cocok dan khusus untuk masing-masing perkakas listrik.** Penggunaan baterai-baterai lain dapat mengakibatkan terjadinya luka-luka dan kebakaran.
- ▶ **Jika baterai tidak digunakan, jauhkan baterai dari klip untuk kertas, uang logam, kunci, paku, sekrup atau benda-benda kecil dari logam lainnya, yang dapat menjembatani kontak-kontak.** Korsleting antara kontak-kontak baterai dapat mengakibatkan kebakaran atau api.
- ▶ **Jika baterai tidak digunakan dengan betul, dapat keluar cairan dari baterai. Jagalah supaya Anda tidak terkena pada cairan ini. Jika secara tidak disengaja Anda terkena pada cairan ini, cucikan dengan air. Jika cairan tersebut terkena pada mata, selain tindakan di atas, segera hubungi seorang dokter.** Cairan yang keluar dari baterai dapat mengakibatkan gangguan pada kulit atau kebakaran.

#### Servis

- ▶ **Biarkan perkakas listrik Anda direparasikan hanya oleh orang-orang ahli yang berpengalaman dan hanya dengan menggunakan suku cadang yang asli.** Dengan demikian terjamin keselamatan kerja dengan perkakas listrik ini secara berkesinambungan.

#### Petunjuk-petunjuk untuk keselamatan kerja untuk mesin gergaji bundar

##### Penggergajian

- ▶ **BAHAYA: Jauhkan tangan Anda dari area pemotongan dan mata gergaji.**
- ▶ **Janganlah menjangkau di bawah benda yang dikerjakan.** Kap pelindung tidak bisa melindungi Anda terhadap mata gergaji di bawah benda yang dikerjakan.
- ▶ **Sesuaikanlah kedalaman pemotongan dengan ketebalan benda yang dikerjakan.** Mata gergaji hanya boleh melampaui bagian bawah dari benda yang dikerjakan maksimal setinggi satu gigi.
- ▶ **Janganlah sekali-kali memegang benda yang dikerjakan di dalam tangan atau menahannya dengan kaki. Mantapkan benda yang dikerjakan pada pegangan yang stabil.** Benda yang dikerjakan mutlak harus dimantapkan dengan betul supaya perkakas listrik tidak terkena pada badan kita, mata gergaji tidak tersangkut atau supaya kita bisa mengendalikan perkakas listrik.

- ▶ **Peganglah perkakas listrik hanya pada pegangan yang terisolir jika Anda melakukan pekerjaan yang memungkinkan alat pemotong ini menjalin kontak dengan kabel listrik yang tidak terlihat.** Alat kerja yang bersentuhan dengan kabel yang bertegangan dapat mengakibatkan bagian-bagian logam dari perkakas listrik juga ikut dialiri tegangan arus dan mengakibatkan terjadinya kontak listrik.
  - ▶ **Pada pemotongan memanjang, gunakanlah selalu mistar atau sisi pemandu yang lurus.** Ini membuat pemotongan yang lebih seksama dan menghindarkan mata gergaji terjepit.
  - ▶ **Gunakanlah selalu mata gergaji-mata gergaji dengan ukuran yang benar dan dengan lubang penahan yang cocok (misalnya berbentuk bintang atau bundar).** Mata gergaji-mata gergaji yang tidak cocok dengan bagian-bagian dari mesin gergaji menyebabkan getaran dan membuat kita tidak bisa mengendalikannya.
  - ▶ **Janganlah sekali-kali menggunakan ring plat atau baut mata gergaji yang rusak atau yang tidak cocok.** Ring plat-ring plat dan baut-baut mata gergaji dirancang khusus bagi mesin gergaji demi daya yang optimal dan keselamatan kerja.
  - ▶ **Bantingan (kickback) – Sebab dan petunjuk-petunjuk untuk menghindarkan**
    - Bantingan adalah reaksi yang terjadi tiba-tiba karena mata gergaji tersangkut, terjepit atau dipasangkan dalam kedudukan yang tidak tepat sehingga mesin gergaji tidak bisa dikendalikan dan terlompat dari benda yang dikerjakan ke arah orang yang bekerja dengan mesin;
    - Jika mata gergaji tersangkut atau terjepit dalam celah pemotongan yang menyempit, mata gergaji memblok dan daya motor membanting mesin gergaji ke arah orang yang bekerja dengan mesin;
    - Jika mata gergaji selama pemotongan dipasangkan terbalik atau tidak sejajar dengan celah pemotongan, maka punggung gigi bisa tersangkut pada permukaan dari benda yang dikerjakan, sehingga mata gergaji ke luar dari celah pemotongan dan mesin gergaji melompat ke arah orang yang bekerja dengan mesin.

Bantingan terjadi karena mesin gergaji digunakan salah atau kurang tepat. Bantingan bisa dihindarkan dengan upaya keselamatan kerja berikut.
  - ▶ **Peganglah gergaji dengan baik dan aturlah posisi lengan Anda, sehingga Anda bisa mengimbangi jika perkakas listrik membanting.** Peganglah mata gergaji selalu dari sisi samping, jangan pernah memosisikan mata gergaji sejajar dengan tubuh Anda. Gergaji bisa terlontar ke belakang saat sedang digunakan, namun operator dapat mengontrolnya jika tindakan pencegahan memang diperlukan agar tidak melukai siapapun.
  - ▶ **Jika mata gergaji terjepit atau Anda menghentikan pekerjaan dengan mesin gergaji, matikan mesin gergaji dan tahankannya di dalam benda yang dikerjakan sampai mata gergaji berhenti memutar.** Janganlah sekali-kali mencoba untuk menarik mesin dari benda yang dikerjakan atau menariknya ke belakang selama mata gergaji masih berputar, karena bisa terjadi bantingan. Periksalah mengapa mata gergaji terjepit dan betulkan.
  - ▶ **Jika Anda hendak menghidupkan kembali mesin yang berada di dalam benda yang dikerjakan, upayakan supaya mata gergaji berada di tengah dari celah pemotongan dan perhatikan supaya gigi mata gergaji tidak tersangkut dalam benda yang dikerjakan.** Jika mata gergaji terjepit dan mesin dihidupkan kembali, mata gergaji bisa melompat ke luar dari benda yang dikerjakan atau mengakibatkan bantingan.
  - ▶ **Pelat-pelat yang besar harus ditopangkan supaya risiko terjadinya bantingan karena mata gergaji yang terjepit bisa dikurangi.** Pelat-pelat yang besar bisa melengkung karena beratnya sendiri. Pelat-pelat harus ditopangkan pada kedua sisi, baik di dekat celah pemotongan maupun di pinggiran.
  - ▶ **Janganlah menggunakan mata gergaji yang tumpul atau cacat.** Mata gergaji dengan gigi-gigi yang tumpul atau kuak yang tidak tepat mengakibatkan celah pemotongan terlalu sempit sehingga terjadi gesekan yang terlalu tinggi, mata gergaji bisa terjepit dan terjadi bantingan.
  - ▶ **Sebelum mulai dengan pekerjaan menggergaji, kencangkan semua penyetelan kedalaman pemotongan dan sudut pemotongan.** Jika selama pekerjaan menggergaji penyetelan berubah, mata gergaji bisa terjepit dan bisa terjadi bantingan.
  - ▶ **Anda harus sangat berhati-hati jika melakukan penggergajian di dinding yang sudah jadi atau di bagian lainnya yang tidak terlihat.** Mata gergaji yang dimasukkan ke dalam bahan bisa memblok pada benda-benda yang tidak terlihat dan mengakibatkan bantingan.
- Fungsi dari kap pelindung bawah**
- ▶ **Setiap kali sebelum menggunakan mesin gergaji, periksalah apakah kap pelindung bawah bisa menutup dengan betul.** Janganlah menggunakan mesin gergaji jika kap pelindung bawah tidak bisa bergerak dengan bebas dan tidak segera menutup. Janganlah sekali-kali menjepit atau mengikat kap pelindung bawah dalam posisi terbuka. Jika mesin gergaji terjatuh tanpa disengaja ke lantai, kap pelindung bawah bisa melengkung. Buka kap pelindung dengan tuas penarikan dan perhatikan supaya kap pelindung bisa bergerak dengan bebas dan pada setiap penyetelan sudut pemotongan dan kedalaman pemotongan tidak terkena pada mata gergaji atau bagian-bagian yang lain dari mesin gergaji.
  - ▶ **Periksalah apakah fer dari kap pelindung bawah berfungsi dengan baik.** Reparasikan mesin gergaji sebelum menggunakannya, jika kap pelindung bawah dan fer tidak berfungsi dengan mulus. Bagian-bagian yang rusak, pencemaran berupa damar, lem yang melengket atau serbuk bisa mengakibatkan kap pelindung bawah menjadi lamban.
  - ▶ **Pada tipe pemotongan tertentu, seperti „pemotongan horizontal dan pemotong sudut“, kap pelindung bawah hanya boleh dibuka menggunakan tangan.** Bukalah kap pelindung bawah dengan switch gagang maju-mundur dan lepaskan, hingga cakram gergaji membelah objek. Setiap kali Anda menggergaji menggunakan alat ini, kap pelindung bawah akan langsung bekerja secara otomatis.

- ▶ **Janganlah meletakkan mesin gergaji pada meja atau lantai jika mata gergaji tidak tertutup oleh kap pelindung bawah.** Mata gergaji yang berputar menggerakkan mesin gergaji dalam arah yang berlawanan dengan arah pemotongan dan jika tidak terlindung memotong semua bahan yang berdekatan. Perhatikanlah bahwa mesin gergaji tidak langsung berhenti.

#### Petunjuk-petunjuk untuk keselamatan kerja lainnya

- ▶ **Janganlah memasukkan tangan ke dalam saluran serbuk.** Anda bisa terluka oleh bagian-bagian yang berputar.
- ▶ **Janganlah melakukan pekerjaan dari bawah.** Anda tidak bisa mengendalikan mesin gergaji jika melakukan pekerjaan dari bawah.
- ▶ **Gunakanlah alat detektor logam yang cocok untuk mencari kabel dan pipa pengadaaan yang tidak terlihat, atau hubungi perusahaan pengadaan setempat.** Sentuhan dengan kabel-kabel listrik bisa mengakibatkan api dan kontak listrik. Pipa gas yang dirusak bisa mengakibatkan ledakan. Pipa air yang dirusak mengakibatkan barang-barang menjadi rusak.
- ▶ **Janganlah menggunakan perkakas listrik ini secara stasioner sebagai gergaji meja.** Perkakas listrik ini tidak cocok untuk penggunaan dengan meja gergaji.
- ▶ **Janganlah menggunakan mata gergaji dari baja cepat (High Speed Steel).** Mata gergaji dari bahan ini mudah patah.
- ▶ **Janganlah menggergaji logam besi-logam besi.** Serbuk yang membara bisa menyulut penghisap debu.
- ▶ **Usahakan supaya benda yang dikerjakan tidak goyang.** Benda yang ditahan dalam alat pemegang atau bais lebih mantap daripada benda yang dipegang dengan tangan.
- ▶ **Sebelum meletakkan perkakas listrik, tunggulah sampai perkakas berhenti memutar.** Alat kerja bisa tersangkut dan membuat perkakas listrik tidak bisa dikendalikan.
- ▶ **Janganlah membuka baterai.** Ada bahaya terjadinya korsleting.



**Lindungilah baterai terhadap panas, misalnya juga terhadap penyinaran matahari yang lama, api, air dan kelembaban.** Ada bahaya terjadinya ledakan.

- ▶ **Jika baterai rusak dan jika baterai digunakan salah, baterai bisa mengeluarkan uap. Biarkan udara segar mengalir masuk dan jika Anda merasa tidak enak badan, pergilah ke dokter.** Uap tersebut bisa mengganggu saluran pernafasan.
- ▶ **Gunakan baterai yang sesuai dengan produk Bosch Anda.** Hanya dengan cara ini, baterai dapat dilindungi dari kelebihan muatan.
- ▶ **Baterai dapat rusak disebabkan benda-benda lancip seperti jarum, obeng atau tekanan keras dari luar.** Hal ini dapat menyebabkan terjadinya hubungan pendek internal dan baterai dapat terbakar, berasap, meledak, atau mengalami panas berlebih.

## Penjelasan tentang produk dan daya



**Bacalah semua petunjuk-petunjuk untuk keselamatan kerja dan petunjuk-petunjuk untuk penggunaan.** Kesalahan dalam menjalankan petunjuk-petunjuk untuk keselamatan kerja dan petunjuk-petunjuk untuk penggunaan dapat mengakibatkan kontak listrik, kebakaran dan/atau luka-luka yang berat.

### Penggunaan alat

Perkakas listrik ini cocok untuk mengerjakan pemotongan memanjang dan melintang dengan garis pemotongan tegak lurus dan serong dalam kayu dengan ketentuan harus diletakkan secara langsung di atas permukaan benda yang dikerjakan.

Lampu pada perkakas listrik ini dimaksudkan untuk menerangi area pekerjaan perkakas listrik dan tidak sesuai untuk penerangan ruang dalam rumah.

### Bagian-bagian pada gambar

Nomor-nomor dari bagian-bagian perkakas pada gambar sesuai dengan gambar perkakas listrik pada halaman bergambar.

- 1 Baterai
- 2 Tombol pelepas baterai
- 3 Pengunci penghidupan kembali untuk tombol untuk menghidupkan dan mematikan
- 4 Tombol untuk menghidupkan dan mematikan
- 5 Kunci mur dalam
- 6 Tombol penahan poros kerja
- 7 Pelat dasar
- 8 Baut pengencang untuk pemandu paralel
- 9 Skala sudut potong
- 10 Baut kupu-kupu untuk penyetelan pendahuluan sudut potong
- 11 Tanda untuk pemotongan 45°
- 12 Tanda untuk pemotongan 0°
- 13 Kap pelindung
- 14 Pegangan (genggaman terisolir)
- 15 Petanda keberisian baterai
- 16 Petanda untuk penjaga suhu/perlindungan terhadap pembebanan yang terlalu berat
- 17 Baut kupu-kupu untuk penyetelan pendahuluan kedalaman pemotongan
- 18 Skala untuk kedalaman pemotongan
- 19 Tuas untuk penyetelan kap pelindung yang bisa bergerak
- 20 Sumbu penggerak
- 21 Kap pelindung yang bisa bergerak
- 22 Flens untuk poros kerja
- 23 Mata gergaji untuk mesin gergaji bundar
- 24 Flens pemegang
- 25 Baut pemegang
- 26 Lampu „PowerLight“
- 27 Petunjuk untuk pengaturan sudut miter

## 44 | Bahasa Indonesia

- 28 Baut untuk memasang soket pas untuk penghisapan debu
- 29 Soket pas untuk penghisapan debu\*
- 30 Slang penghisapan\*
- 31 Petunjuk untuk pengaturan kedalaman pemotongan
- 32 Pemandu paralel/adaptor rel pemandu\*
- 33 Klamer\*
- 34 Rel pemandu\*

\*Aksesori yang ada pada gambar atau yang dijelaskan, tidak termasuk pasokan standar. Semua aksesori yang ada bisa Anda lihat dalam program aksesori Bosch.

## Data teknis

Mesin tangan gergaji bundar	GKS 12 V-Li	
Nomor model	3 601 FA1 0..	
Tegangan nominal	V=	12
Kecepatan putaran tanpa beban	min <sup>-1</sup>	1400
Kedalaman pemotongan maks.		
– Pada sudut potong 0°	mm	26,5
– Pada sudut potong 45°	mm	17,0
Penguncian poros	●	
Ukuran pelat dasar	mm	167 x 88
Diameter mata gergaji maks.	mm	85
Diameter mata gergaji min.	mm	85
Ketebalan daun perkakas maks.	mm	0,7
Ketebalan gigi/ukuran kuak maks.	mm	1,1
Ketebalan gigi/ukuran kuak min.	mm	1,0
Garis tengah lubang	mm	15
Berat sesuai dengan EPTA-Procedure 01:2014	kg	1,4
Suhu sekitar yang diizinkan		
– saat melakukan pengisian	°C	0... +45
– selama pengoperasian* dan selama penyimpanan	°C	-20... +50
Baterai yang disarankan	GBA 12V ...0-..	
Pengisi daya baterai yang direkomendasikan	GAL 12.. CV	

\* daya dibatasi pada suhu < 0 °C  
Data teknis diukur dengan aki yang ikut dipasok.

## Cara memasang

## Cara mengisi baterai

- ▶ **Gunakanlah hanya alat-alat penceas baterai yang disebutkan pada halaman aksesori.** Hanya alat-alat penceas baterai ini yang dicocokkan pada baterai ion-Li yang diperlukan bagi perkakas listrik Anda.

**Petunjuk:** Baterai dipasok dalam keadaan diisi sebagian. Untuk menjamin daya penuh dari baterai, sebelum penggunaannya untuk pertama kalinya, isikanlah baterai sampai penuh sama sekali di dalam alat penceas baterai.

Baterai ion-Li bisa diisi sewaktu-waktu, tanpa mengurangi daya tahannya. Baterai tidak menjadi rusak jika pengisiannya dihentikan untuk sementara waktu.

Baterai ion-Li dilindungi terhadap pengosongan sama sekali oleh „Electronic Cell Protection (ECP)“. Jika baterai kosong perkakas listrik dimatikan oleh pengaman: alat kerja berhenti memutar.

- ▶ **Lepaskan tekanan pada tombol untuk menghidupkan dan mematikan mesin, jika perkakas listrik mati secara otomatis.** Jika tombol ditekan terus, baterai bisa menjadi rusak.

Perhatikanlah petunjuk-petunjuk untuk membuang.

## Cara mengeluarkan baterai

Baterai 1 dilengkapi dengan penguncian dua tahapan, yang dimaksudkan untuk melindungi baterai supaya tidak terjatuh ke luar jika tombol pelepas baterai 2 tertekan tanpa disengaja. Selama baterai berada di dalam perkakas listrik, baterai ditahan dalam kedudukannya oleh satu fer.

Untuk mengeluarkan baterai 1, tekan tombol pelepas baterai 2 dan tarikkan baterai ke belakang ke luar dari perkakas listrik. **Janganlah melakukannya dengan paksaan.**

## Petanda keberisian baterai

Ketiga lampu petanda LED hijau dari petanda keberisian baterai 15 menunjukkan keadaan keberisian baterai 1. Demi keselamatan kerja, keadaan keberisian baterai hanya bisa diperiksa selama perkakas listrik dalam keadaan berhenti.

Tekan tombol untuk menghidupkan dan mematikan 4 sampai setengahnya atau sampai batas, untuk menunjukkan keadaan keberisian baterai.

LED	Kapasitas
Lampu menetap 3 x hijau	≥2/3
Lampu menetap 2 x hijau	≥1/3
Lampu menetap 1 x hijau	<1/3
Lampu berkedip-kedip 1 x hijau	cadangan

Jika setelah tombol untuk menghidupkan dan mematikan 4 ditekan, tidak ada LED yang menyala, baterai rusak dan harus digantikan.

## Memasang/mengganti mata gergaji untuk mesin gergaji bundar

- ▶ **Sebelum melakukan pekerjaan pada perkakas listrik, keluarkan selalu baterai sebelumnya.**
- ▶ **Pakailah sarung tangan pelindung pada waktu memasang mata gergaji.** Persentuhan dengan mata gergaji bisa mengakibatkan luka-luka.
- ▶ **Gunakanlah hanya mata gergaji-mata gergaji yang sesuai dengan data-data yang tercantum di dalam petunjuk-petunjuk ini.**
- ▶ **Janganlah sekali-kali menggunakan mata gerinda sebagai alat kerja mesin gergaji ini.**

## Memilih mata gergaji

Satu ikhtisar dari mata gergaji-mata gergaji yang diizinkan ada di bagian akhir dari petunjuk-petunjuk ini.

**Melepaskan mata gergaji (lihat gambar A)**

Untuk mengganti alat kerja, sebaiknya perkakas listrik diletakkan pada bagian depan dari rumah motor.

- Tekan tombol penahan poros kerja **6** dan biarkan tombol ini tertekan.

► **Tombol penahan poros kerja 6 hanya boleh ditekan jika sumbu penggerak tidak berputar.** Jika tidak, perkakas listrik bisa menjadi rusak.

- Putarkan dengan kunci mur dalam **5** baut pemegang **25** dalam arah **⌚** sampai ke luar.
- Balikkan kap pelindung yang bisa bergerak **21** dan tahanan.
- Lepaskan flens pemegang **24** dan mata gergaji untuk mesin gergaji bundar **23** dari sumbu penggerak **20**.

**Memasang mata gergaji (lihat gambar A)**

Untuk mengganti alat kerja, sebaiknya perkakas listrik diletakkan pada bagian depan dari rumah motor.

- Bersihkan mata gergaji **23** dan semua jepitan dan bagian-bagian jepitan yang akan dipasang.
- Balikkan kap pelindung yang bisa bergerak **21** dan tahanan.
- Pasangkan mata gergaji **23** pada flens untuk poros kerja **22**. Arah pemotongan dari gigi-gigi (arah tanda panah pada mata gergaji) dan tanda arah putaran pada kap pelindung yang bisa bergerak **21** harus saling cocok.
- Pasangkan flens pemegang **24** dan putarkan masuk baut pemegang **25** dalam arah **⌚**. Perhatikanlah supaya flens untuk poros kerja **22** dan flens pemegang **24** dipasang dalam kedudukan yang betul.
- Tekan tombol penahan poros kerja **6** dan biarkan tombol ini tertekan.
- Dengan menggunakan kunci mur dalam **5** baut pemegang **25** dikencangkan dengan cara memutarannya dalam arah putaran **⌚**. Sebaiknya momen kunci sebesar 6–9 Nm, sama dengan penguncian sekuat tangan ditambah  $\frac{1}{4}$  putaran.

**Penghisapan debu/serbuk**

- **Sebelum melakukan pekerjaan pada perkakas listrik, keluarkan selalu baterai sebelumnya.**
- Debu dari bahan-bahan seperti misalnya cat yang mengandung timbel (timah hitam), beberapa jenis kayu, bahan mineral dan logam bisa berbahaya bagi kesehatan. Menyentuh atau menghirup debu-debu ini bisa mengakibatkan reaksi alergi dan/atau penyakit saluran pernafasan dari orang yang menggunakan mesin atau orang yang berada di dekatnya. Beberapa debu tertentu seperti misalnya debu kayu pohon quercus atau pohon fagus silvatica dianggap bisa mengakibatkan penyakit kanker, terutama dalam campuran dengan bahan-bahan tambahan untuk pengolahan kayu (kromat, obat pengawet kayu). Bahan-bahan yang mengandung asbestos hanya boleh dikerjakan oleh orang-orang yang ahli.
  - Untuk memperoleh fungsi pengisap debu yang maksimal, gunakan pengisap debu yang cocok dengan perkakas listrik ini.

- Perhatikanlah supaya ada pertukaran udara di tempat kerja.
- Kami anjurkan supaya Anda memakai kedok anti debu dengan saringan (filter) kelas P2.

Taatilah peraturan-peraturan untuk bahan-bahan yang dikerjakan yang berlaku di negara Anda.

**Memasang soket pas untuk penghisapan debu (lihat gambar B)**

Pasangkan soket pas untuk penghisapan debu **29** dengan baut untuk memasang soket pas untuk penghisapan **28** pada pelat dasar **7**.

Pada soket pas untuk penghisapan **29** bisa disambungkan satu slang penghisapan dengan diameter sebesar 19 mm.

► **Soket pas untuk penghisapan debu selalu harus dipasang bersama dengan satu sarana penghisapan.** Jika tidak demikian, saluran penghisapan bisa tersumbat.

► **Pada soket pas untuk penghisapan debu tidak boleh dipasang satu kantong debu.** Ini bisa menyebabkan sistem penghisapan tersumbat.

Untuk menjamin penghisapan yang paling optimal, soket pas untuk penghisapan **29** harus dibersihkan secara berkala.

**Penghisapan luar dengan bantuan sarana**

Sambungkan slang penghisapan **30** pada satu mesin penghisap (aksesori). Satu ikhtisar tentang penyambungan pada berbagai mesin penghisap ada pada bagian akhir dari petunjuk-petunjuk ini.

Mesin penghisap debu harus cocok untuk menghisap bahan yang dikerjakan.

Gunakanlah mesin penghisap khusus jika debu yang terjadi sangat berbahaya bagi kesehatan, bisa mengakibatkan penyakit kanker atau sangat kering.

**Penggunaan****Macam penggunaan**

- **Sebelum melakukan pekerjaan pada perkakas listrik, keluarkan selalu baterai sebelumnya.**

**Menyetel kedalaman pemotongan (lihat gambar C)**

- **Sesuaikanlah kedalaman pemotongan dengan ketebalan benda yang dikerjakan.** Mata gergaji hanya boleh melampaui bagian bawah dari benda yang dikerjakan maksimal setinggi satu gigi.

Kendorkan baut kupu-kupu untuk penyetelan pendahuluan kedalaman pemotongan **17**. Untuk mengurangi kedalaman pemotongan, tarikkan perkakas listrik menjauh dari pelat dasar **7**, untuk menambah kedalaman pemotongan, tekankan perkakas listrik ke pelat dasar **7**. Setelkan ukuran yang diperlukan pada skala untuk kedalaman pemotongan **18**. Kencangkan kembali baut kupu-kupu **17**.

Gunakan petunjuk **31** yang ada di sisi samping skala kedalaman pemotongan **18** untuk mengatur kedalaman pemotongan.

## 46 | Bahasa Indonesia

**Menyetel sudut pemotongan**

Perkakas listrik sebaiknya diletakkan pada bagian depan dari kap pelindung **13**.

Kendorkan baut kupu-kupu **10**. Olongkan mesin gergaji.

Setelkan sudut potong yang diperlukan pada skala **9**.

Kencangkan kembali baut kupu-kupu **10**.

Gunakan petunjuk **27** untuk mengatur sudut miter (tepi atas gagang).

**Petunjuk:** Pada pemotongan yang tidak tegak lurus, kedalaman pemotongan lebih kecil daripada angka yang terlihat pada skala **18**.

**Tanda-tanda pemotongan**

Tanda pemotongan 0° **12** menunjukkan posisi mata gergaji pada pemotongan dengan sudut siku. Tanda pemotongan 45° **11** menunjukkan posisi mata gergaji pada pemotongan dengan sudut 45°.

**Cara penggunaan****Memasang baterai**

► **Gunakanlah hanya baterai ion-Li yang asli dari Bosch dengan tegangan yang tercantum pada label tipe perkakas listrik Anda.** Penggunaan baterai-baterai lainnya bisa menyebabkan terjadinya luka-luka dan bahaya kebakaran.

Dorongkan baterai **1** yang sudah diisi dari depan ke dalam kaki dari perkakas listrik. Tekankan baterai sampai masuk sama sekali ke dalam kaki perkakas, sampai garis berwarna merah tidak terlihat lagi dan baterai terkunci dengan betul.

**Menghidupkan/mematikan**

Untuk **menghidupkan** perkakas listrik, gerakkan **dahulu** pengunci penghidupan kembali **3** dan **setelah itu** tekan tombol untuk menghidupkan dan mematikan **4** dan tahan tekanan.

Untuk **mematikan** perkakas listrik, lepaskan tombol untuk menghidupkan dan mematikan **4**.

**Petunjuk:** Berdasarkan alasan keselamatan kerja, tombol untuk menghidupkan dan mematikan **4** tidak bisa dikuncikan, melainkan selama penggunaan perkakas, tombol ini harus ditekan terus.

**Rem otomatis setelah dipadamkan**

Satu rem otomatis terpadu mempersingkat jangka waktu berputarnya mata gergaji setelah perkakas listrik dimatikan.

**Petanda untuk penjaga suhu/perlindungan terhadap pembebanan yang terlalu berat**

Petanda LED merah **16** membantu Anda dalam upaya untuk melindungi baterai supaya tidak menjadi terlalu panas dan motor supaya tidak dibebankan terlalu berat.

Jika petanda LED **16 menyala merah menetap**, suhu dari baterai terlalu tinggi dan perkakas listrik padam secara otomatis.

- Matikan perkakas listrik.
- Biarkan baterai menjadi dingin dahulu, setelah itu Anda dapat melanjutkan pekerjaan dengan perkakas listrik.

LED **16 berkedip-kedip merah**, perkakas listrik memblokir dan padam secara otomatis.

Tarikkan perkakas listrik keluar dari benda yang dikerjakan.

Apabila bagian yang tersumbat telah diperbaiki, maka perkakas listrik akan bekerja lagi.

**Perlindungan terhadap pengosongan sama sekali**

Baterai ion-Li dilindungi terhadap pengosongan sama sekali oleh „Electronic Cell Protection (ECP)“. Jika baterai kosong perkakas listrik dimatikan oleh pengaman: alat kerja berhenti memutar.

**Menghidupkan lampu kerja LED**

Lampu **26** menyala jika tombol untuk menghidupkan dan mematikan **4** ditekan ringan atau ditekan sampai batas dan berguna untuk menerangi bidang kerja yang tidak terang jika ruangan gelap.

**Petunjuk-petunjuk untuk pemakaian**

Lindungilah mata gergaji terhadap sengkolan dan benturan.

Gerakkan perkakas listrik secara rata dan dengan dorongan ringan dalam arah pemotongan. Tekanan maju yang terlalu kuat membuat alat kerja-alat kerja cepat aus dan bisa merusakkan perkakas listrik.

Daya pemotongan dan hasil kerja terutama tergantung dari keadaan dan bentuk gigi dari mata gergaji. Karena itu gunakanlah hanya mata gergaji-mata gergaji yang tajam dan yang cocok untuk bahan yang akan dikerjakan.

**Menggergaji kayu**

Pemilihan mata gergaji yang cocok didasarkan pada macam kayu, mutu kayu dan macam pemotongan, apakah memanjang atau melintang.

Pada pemotongan memanjang pada kayu cemara picea terjadi bram yang panjang dan berbentuk spiral.

Debu kayu pohon fagus silvatica dan quercus sangat berbahaya bagi kesehatan, oleh sebab itu bekerjalah selalu dengan penghisapan debu.

**Menggergaji dengan mistar sejajar (lihat gambar D)**

Dengan mistar sejajar **32** bisa dibuat pemotongan seksama yang sejajar dengan tepi dari benda yang dikerjakan atau pemotongan sejajar yang sama lebar.

Atur kedalaman potongan yang diinginkan pada bagian tepi luar pelat dasar dengan menggunakan skala panduan pada pemandu paralel/adaptor rel pemandu. (lihat gambar D)

**Menggergaji dengan bantuan benda sebagai mistar (lihat gambar F)**

Untuk memotong benda-benda yang besar atau memotong tepian yang lurus, Anda bisa memasangkan satu papan atau les sebagai benda bantuan pada benda yang akan dikerjakan dan pelat dasar dari mesin gergaji digerakkan sepanjang benda bantuan.

**Menggergaji dengan rel pemandu (lihat gambar E)**

Dengan menggunakan rel pemandu **34** Anda bisa membuat pemotongan yang lurus.

**Petunjuk:** Gunakanlah rel pemandu **34** hanya untuk pemotongan dengan sudut siku. Jika dilakukan pemotongan serong, rel pemandu **34** bisa menjadi rusak.

Lapisan anti slip membuat rel pemandu tidak menggeser dan melindungi permukaan benda yang dikerjakan. Lapisan peluncur di rel pemandu membuat perkakas listrik bisa digerakkan dengan mudahnya.

Kencangkan rel pemandu **34** pada objek dengan alat penjepit yang sesuai, misalnya baut penjepit. Pasang perkakas listrik dengan adaptor rel pemandu yang terpasang pada rel pemandu.

**Petunjuk:** Pasang pemandu paralel/adaptor rel pemandu **32** pada perkakas listrik dengan logo Bosch menghadap ke bawah.

**Rel pemandu 34 tidak boleh melampaui benda yang dikerjakan di ujung di mana pemotongan dimulai.**

Hidupkan perkakas listrik dan gerakkan perkakas listrik secara rata dan dengan dorongan ringan dalam arah pemotongan.

**Bekerja dengan pemandu paralel/adaptor rel pemandu dan selang pengisap**

Pertama-tama, pasang adaptor pengisap **29** dengan selang pengisap **30** dan kemudian pemandu paralel/adaptor pemandu **32**.

**Petunjuk:** Gunakan baut yang sesuai untuk memperbaiki pemandu paralel/adaptor pemandu **32** dan adaptor pengisap **29**!

**Petunjuk-petunjuk untuk penanganan baterai yang optimal**

Lindungilah baterai terhadap kelembaban dan air.

Simpanlah baterai hanya pada tingkatan suhu antara  $-20\text{ }^{\circ}\text{C}$  dan  $50\text{ }^{\circ}\text{C}$ . Janganlah membiarkan baterai di dalam mobil, misalnya selama musim panas.

Bersihkan lubang-lubang ventilasi dari baterai dengan kuas yang lunak, bersih dan kering secara berkala.

Jika setelah diisi waktu pemakaian baterai semakin pendek, ini petanda bahwa baterai sudah aus dan harus diganti.

Perhatikanlah petunjuk-petunjuk untuk membuang.

## Rawatan dan servis

### Rawatan dan kebersihan

- ▶ **Sebelum melakukan semua pekerjaan pada perkakas listrik (misalnya merawat, mengganti alat kerja dsb.) serta selama transpor atau penyimpanan, keluarkanlah baterai dari perkakas listrik.** Jika tombol untuk menghidupkan dan mematikan digerakkan tanpa sengaja, bisa terjadi luka-luka.
- ▶ **Perkakas listrik dan lubang ventilasi harus selalu dibersihkan supaya perkakas bisa digunakan dengan baik dan aman.**

Kap pelindung yang bisa bergerak harus selalu bisa bergerak secara bebas dan harus bisa menutup sendiri. Karena itu perhatikanlah supaya bagian mesin di dekat kap pelindung yang bisa bergerak selalu bersih. Debu atau serbuk dihilangkan dengan tiupan dengan udara bertekanan atau dengan memakai kuas.

Mata gergaji yang tidak dilapisi bisa dilindungi terhadap karatan dengan mengolesinya dengan minyak yang tidak mengandung keasaman. Sebelum menggunakan mesin gergaji, bersihkan mata gergaji dari minyak karena kayu bisa tercemar karenanya.

Sisa-sisa damar dan lem pada mata gergaji membuat hasil pemotongan tidak bagus. Karena itu mata gergaji setelah penggunaan harus langsung dibersihkan.

### Layanan pasca beli dan konseling terkait pengoperasian

Layanan pasca beli Bosch menjawab semua pertanyaan Anda terkait reparasi dan maintenance serta suku cadang produk ini. Gambar tiga dimensi dan informasi terkait suku cadang dapat Anda lihat di:

**www.bosch-pt.com**

Tim konseling pengoperasian dari Bosch dengan senang hati membantu Anda, jika Anda hendak bertanya tentang produk-produk kami dan aksesorisnya.

Jika Anda hendak menanyakan sesuatu atau memesan suku cadang, sebutkan selalu nomor model yang terdiri dari 10 angka dan tercantum pada label tipe produk.

#### Indonesia

PT Robert Bosch  
Palma Tower 10<sup>th</sup> Floor  
Jl. RA Kartini II-S Kaveling 6 Sek II  
Pondok Pinang, Kebayoran Lama  
Jakarta Selatan 12310  
Indonesia  
Tel.: (021) 3005 5800  
Fax: (021) 3005 5801  
E-Mail: boschpowertools@id.bosch.com  
www.bosch-pt.co.id

#### Transpor

Pada baterai-baterai ion-Li yang digunakan diterapkan persyaratan terkait peraturan-peraturan tentang bahan-bahan yang berbahaya. Baterai-baterai dapat diangkat oleh penggunaannya di jalanan tanpa harus memenuhi syarat-syarat tertentu.

Pada pengiriman oleh pihak ketiga (misalnya transportasi dengan pesawat udara atau perusahaan ekspedisi) harus ditaati syarat-syarat terkait kemasan dan pemberian tanda. Dalam hal ini, untuk mempersiapkan transportasi harus diminta dukungan seorang ahli bahan-bahan berbahaya.

Kirimkan baterai hanya jika rumahnya tidak rusak. Kontak-kontak yang terbuka harus ditutupi dengan pita perekat dan kemaslah baterai sedemikian, sehingga baterai tidak bergerak-gerak di dalam kemasan.

Taatilah peraturan-peraturan nasional lainnya yang mungkin lebih rinci yang berlaku di negara Anda.

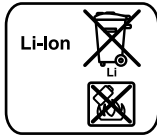
#### Cara membuang



Semua perkakas listrik, baterai, aksesoris dan kemasan sebaiknya didaur ulang sesuai dengan upaya untuk melindungi lingkungan hidup.

Janganlah membuang perkakas listrik, baterai isi ulang/baterai ke dalam sampah rumah tangga!

## 48 | Tiếng Việt

**Baterai isi ulang/Baterai:****Ion-Li:**

Perhatikanlah petunjuk-petunjuk dalam bab „Transpor“, halaman 47.

Perubahan dapat terjadi tanpa pemberitahuan sebelumnya.

## Tiếng Việt

### Các Nguyên Tắc An Toàn

#### Cảnh báo tổng quát cách sử dụng an toàn dụng cụ điện cầm tay

**⚠ CẢNH BÁO** Đọc kỹ mọi cảnh báo an toàn và hướng dẫn. Không tuân thủ mọi cảnh báo và hướng dẫn được liệt kê dưới đây có thể bị điện giật, gây cháy và/hay bị thương tật nghiêm trọng.

**Hãy giữ tất cả tài liệu về cảnh báo và hướng dẫn để tham khảo về sau.**

Thuật ngữ “dụng cụ điện cầm tay” trong phần cảnh báo là đề cập đến sự sử dụng dụng cụ điện cầm tay của bạn, loại sử dụng điện nguồn (có dây cắm điện) hay vận hành bằng pin (không dây cắm điện).

#### Khu vực làm việc an toàn

- ▶ **Giữ nơi làm việc sạch và đủ ánh sáng.** Nơi làm việc bừa bộn và tối tăm dễ gây ra tai nạn.
- ▶ **Không vận hành dụng cụ điện cầm tay trong môi trường dễ gây nổ, chẳng hạn như nơi có chất lỏng dễ cháy, khí đốt hay rác.** Dụng cụ điện cầm tay tạo ra các tia lửa nên có thể làm rác bén cháy hay bốc khói.
- ▶ **Không để trẻ em hay người đến xem đứng gần khi vận hành dụng cụ điện cầm tay.** Sự phân tâm có thể gây ra sự mất điều khiển.

#### An toàn về điện

- ▶ **Phích cắm của dụng cụ điện cầm tay phải thích hợp với ổ cắm.** Không bao giờ được cài biến lại phích cắm dưới mọi hình thức. Không được sử dụng phích tiếp hợp nối tiếp đất (dây mát). Phích cắm nguyên bản và ổ cắm đúng loại sẽ làm giảm nguy cơ bị điện giật.
- ▶ **Tránh không để thân thể tiếp xúc với đất hay các vật có bề mặt tiếp đất như đường ống, lò sưởi, hàng rào và tủ lạnh.** Có nhiều nguy cơ bị điện giật hơn nếu cơ thể bạn bị tiếp hay nối đất.

- ▶ **Không được để dụng cụ điện cầm tay ngoài mưa hay ở tình trạng ẩm ướt.** Nước vào máy sẽ làm tăng nguy cơ bị điện giật.
- ▶ **Không được lạm dụng dây dẫn điện.** Không bao giờ được nắm dây dẫn để xách, kéo hay rút phích cắm dụng cụ điện cầm tay. Không để dây gần nơi có nhiệt độ cao, dầu nhớt, vật nhọn bén hay bộ phận chuyển động. Làm hỏng hay cuộn rối dây dẫn làm tăng nguy cơ bị điện giật.
- ▶ **Khi sử dụng dụng cụ điện cầm tay ngoài trời, dùng dây nối thích hợp cho việc sử dụng ngoài trời làm giảm nguy cơ bị điện giật.**
- ▶ **Nếu việc sử dụng dụng cụ điện cầm tay ở nơi ẩm ướt là không thể tránh được, dùng thiết bị ngắt mạch tự động (RCD) bảo vệ nguồn.** Sử dụng thiết bị ngắt mạch tự động RCD làm giảm nguy cơ bị điện giật.

#### An toàn cá nhân

- ▶ **Hãy tỉnh táo, biết rõ mình đang làm gì và hãy sử dụng ý thức khi vận hành dụng cụ điện cầm tay.** Không sử dụng dụng cụ điện cầm tay khi đang mệt mỏi hay đang bị tác động do chất gây nghiện, rượu hay dược phẩm gây ra. Một thoáng mất tập trung khi đang vận hành dụng cụ điện cầm tay có thể gây thương tích nghiêm trọng cho bản thân.
- ▶ **Sử dụng trang bị bảo hộ cá nhân. Luôn luôn đeo kính bảo vệ mắt.** Trang bị bảo hộ như khẩu trang, giày chống trượt, nón bảo hộ, hay dụng cụ bảo vệ tai khi được sử dụng đúng nơi đúng chỗ sẽ làm giảm nguy cơ thương tật cho bản thân.
- ▶ **Phòng tránh máy khởi động bất ngờ. Bảo đảm công tắc máy ở vị trí tắt trước khi cắm vào nguồn điện và/hay lắp pin vào, khi nhắc máy lên hay khi mang xách máy.** Ngáng ngón tay vào công tắc máy để xách hay kích hoạt dụng cụ điện cầm tay khi công tắc ở vị trí mở dễ dẫn đến tai nạn.
- ▶ **Lấy mọi chìa hay khóa điều chỉnh ra trước khi mở điện dụng cụ điện cầm tay.** Khóa hay chìa còn gắn dính vào bộ phận quay của dụng cụ điện cầm tay có thể gây thương tích cho bản thân.
- ▶ **Không rướn người. Luôn luôn giữ tư thế đứng thích hợp và thăng bằng.** Điều này tạo cho việc điều khiển dụng cụ điện cầm tay tốt hơn trong mọi tình huống bất ngờ.
- ▶ **Trang phục thích hợp. Không mặc quần áo rộng lủng thụng hay mang trang sức. Giữ tóc, quần áo và găng tay xa khỏi các bộ phận chuyển động.** Quần áo rộng lủng thụng, đồ trang sức hay tóc dài có thể bị cuốn vào các bộ phận chuyển động.



► **Nếu có các thiết bị đi kèm để nối máy hút bụi và các phụ kiện khác, bảo đảm các thiết bị này được nối và sử dụng tốt.** Việc sử dụng các thiết bị gom hút bụi có thể làm giảm các độc hại liên quan đến bụi gây ra.

#### Sử dụng và bảo dưỡng dụng cụ điện cầm tay

- **Không được ép máy. Sử dụng dụng cụ điện cầm tay đúng loại theo đúng ứng dụng của bạn.** Dụng cụ điện cầm tay đúng chức năng sẽ làm việc tốt và an toàn hơn theo đúng tiến độ mà máy được thiết kế.
- **Không sử dụng dụng cụ điện cầm tay nếu như công tắc không tắt và mở được.** Bất kỳ dụng cụ điện cầm tay nào mà không thể điều khiển được bằng công tắc là nguy hiểm và phải được sửa chữa.
- **Rút phích cắm ra khỏi nguồn điện và/hay pin ra khỏi dụng cụ điện cầm tay trước khi tiến hành bất kỳ điều chỉnh nào, thay phụ kiện, hay cắt dụng cụ điện cầm tay.** Các biện pháp ngăn ngừa như vậy làm giảm nguy cơ dụng cụ điện cầm tay khởi động bất ngờ.
- **Cất giữ dụng cụ điện cầm tay không dùng tới nơi trẻ em không lấy được và không cho người chưa từng biết dụng cụ điện cầm tay hay các hướng dẫn này sử dụng dụng cụ điện cầm tay.** Dụng cụ điện cầm tay nguy hiểm khi ở trong tay người chưa được chỉ cách sử dụng.
- **Bảo quản dụng cụ điện cầm tay.** Kiểm tra xem các bộ phận chuyển động có bị sai lệch hay kẹt, các bộ phận bị rạn nứt và các tình trạng khác có thể ảnh hưởng đến sự vận hành của máy. Nếu bị hư hỏng, phải sửa chữa máy trước khi sử dụng. Nhiều tai nạn xảy ra do bảo quản dụng cụ điện cầm tay tồi.
- **Giữ các dụng cụ cắt bén và sạch.** Bảo quản đúng cách các dụng cụ cắt có cạnh cắt bén làm giảm khả năng bị kẹt và dễ điều khiển hơn.
- **Sử dụng dụng cụ điện cầm tay, phụ kiện, đầu cài v. v., đúng theo các chỉ dẫn này, hãy lưu ý đến điều kiện làm việc và công việc phải thực hiện.** Sử dụng dụng cụ điện cầm tay khác với mục đích thiết kế có thể tạo nên tình huống nguy hiểm.

#### Sử dụng và bảo quản dụng cụ dùng pin

- **Chỉ được sạc pin lại với bộ nạp điện do nhà sản xuất chỉ định.** Bộ nạp điện thích hợp cho một loại pin có thể gây nguy cơ cháy khi sử dụng cho một loại pin khác.
- **Chỉ sử dụng dụng cụ điện cầm tay với loại pin được thiết kế đặt biệt dành riêng cho máy.** Sử dụng bất cứ loại pin khác có thể dẫn đến thương tật hay cháy.

- **Khi không sử dụng pin, để cách xa các vật bằng kim loại như kẹp giấy, tiền xu, chìa khóa, đinh, ốc vít hay các đồ vật kim loại nhỏ khác, thứ có thể tạo sự nối tiếp từ một đầu cực với một đầu cực khác.** Sự chập mạch của các đầu cực với nhau có thể gây bỏng hay cháy.
- **Bảo quản ở tình trạng tốt, dung dịch từ pin có thể tửa ra; tránh tiếp xúc. Nếu vô tình chạm phải, hãy xối nước để rửa. Nếu dung dịch vào mắt, cần thêm sự hỗ trợ của y tế.** Dung dịch tiết ra từ pin có thể gây ngứa hay bỏng.

#### Bảo dưỡng

- **Đưa dụng cụ điện cầm tay của bạn đến thợ chuyên môn để bảo dưỡng, chỉ sử dụng phụ tùng đúng chủng loại để thay.** Điều này sẽ đảm bảo sự an toàn của máy được giữ nguyên.

### Cảnh Báo An Toàn cho Các Loại Cửa Dĩa

#### Cách thức Cắt

- **NGUY HIỂM: Không đưa tay bạn vào khu vực cửa và gần lưỡi cửa.**
- **Không được chạm mặt dưới của vật liệu gia công.** Chấn bảo vệ không thể bảo vệ bạn khỏi lưỡi cắt nằm ở mặt dưới vật gia công được.
- **Điều chỉnh cỡ sâu cắt phù hợp với độ dày của vật liệu gia công.** Phải nhìn thấy được gần như nguyên rãnh của lưỡi cửa bên dưới vật liệu gia công.
- **Không bao giờ được dùng tay để giữ vật liệu hay gác ngang chân để cắt. Kẹp chắc vật gia công vào một nơi cố định vững vàng.** Điều quan trọng là hỗ trợ công việc một cách thích hợp để hạn chế sự phơi bày cơ thể ra, bị kẹt lưỡi, hay mất điều khiển.
- **Chỉ nắm giữ dụng cụ điện ở phần nắm đã được cách điện, khi vận hành máy ở nơi mà dụng cụ cắt có thể chạm phải dây điện được thiết kế để không nhìn thấy được của máy.** Dụng cụ cắt chạm phải dây có điện cũng sử dụng các bộ phận kim loại của dụng cụ điện có điện và dẫn đến chập điện.
- **Khi xẻ, luôn luôn sử dụng rập xẻ hay dưỡng cặp cạnh thẳng.** Cách này làm tăng độ chính xác của đường cắt và làm giảm sự cố làm lưỡi cắt bị kẹt chặt.
- **Hãy luôn sử dụng các lưỡi cửa với kích cỡ chính xác và với lỗ khoan phù hợp (ví dụ hình thoi hoặc hình tròn).** Lưỡi cửa không phù hợp với phần lắp ráp của cửa sẽ chạy lệch tâm, gây mất điều khiển.
- **Không bao giờ được sử dụng vòng đệm lưỡi, bu-long hông hay sai kích cỡ.** Vòng đệm lưỡi cắt hay bu-long được thiết kế đặt biệt cho máy cửa của bạn, để đạt hiệu suất tốt nhất và vận hành an toàn.

## 50 | Tiếng Việt

▶ **Nguyên nhân gây ra dội ngược và các cảnh báo liên quan**

– Dội ngược là một phản ứng đột ngột do bị kẹp chặt, chèn chặt hay lưỡi cửa lệch trục làm cho máy cửa bị mất điều khiển, trôi lên và nảy ra khỏi vật gia công, văng hướng về phía người điều khiển máy;

– Khi lưỡi bị kẹp hay bị chèn chặt do mạch cắt khép chặt, lưỡi dừng chuyển động và phản ứng của mô-tơ nhanh chóng lái dụng cụ quay ngược về phía người điều khiển máy;

– Nếu lưỡi bị vặn xoắn hay lệch trục trong vật cắt, răng trên sống lưng lưỡi có thể bập vào mặt trên của gỗ, và làm cho lưỡi leo ra khỏi mạch cắt, và văng ngược về phía người điều khiển máy. Sự dội ngược là hậu quả của việc sử dụng máy cửa không đúng chức năng và/hay cách thức thao tác không đúng hoặc do tình trạng không thích hợp và có thể tránh được bằng cách tuân theo các cách phòng tránh thích hợp được trình bày sau đây.

▶ **Hãy giữ chặt lưỡi cửa và để tay bạn vào vị trí có thể ngăn chặn lực dội ngược lại. Luôn ở cùng phía với lưỡi cửa, không bao giờ tạo thành đường thẳng giữa lưỡi cửa và cơ thể bạn.** Vì sự dội ngược lại, cửa có thể bị bật về phía sau, tuy nhiên người thợ máy có thể kiểm soát các lực dội ngược bằng các phương pháp phòng ngừa thích hợp.

▶ **Khi lưỡi cắt bị chèn chặt, hoặc đang gia công cắt thì gặp sự cố do bất kỳ lý do gì, nhà công nhân ra và giữ nguyên vị trí của đang nằm trong vật liệu cho đến khi lưỡi cắt dừng quay hoàn toàn. Không bao giờ cố thử lấy cửa ra khỏi vật gia công hay kéo ngược ra sau trong khi lưỡi cắt vẫn còn đang chuyển động, nếu không, lực giạt ngược có khả năng xảy ra.** Tìm nguyên nhân và có hành động thích hợp để loại trừ nguyên nhân làm cho lưỡi cắt bị kẹp chặt.

▶ **Khởi động lại máy khi vẫn còn nằm trong vật gia công, đặt lưỡi cửa vào giữa mạch cửa và kiểm tra xem rằng cửa có găm vào vật liệu hay không.** Nếu lưỡi cửa bị kẹp chặt, nó có thể leo lên hay giạt ngược ngay tại vật gia công khi khởi động lại cửa.

▶ **Kê đỡ các tấm ván lớn để làm giảm đến mức tối thiểu các rủi ro làm kẹp lưỡi và giạt ngược.** Các tấm ván lớn thường có khuynh hướng bị văng xuống do chính trọng lượng của chúng. Sự kê đỡ phải được đặt bên dưới, hai bên ván, gần vạch cắt, và gần cạnh ván.

▶ **Không sử dụng lưỡi cùn hay đã hỏng.** Lưỡi cắt cùn hay kiểu lưỡi không thích hợp tạo mạch cắt hẹp nên làm tăng sự ma sát quá mức, làm kẹp lưỡi và giạt ngược.

▶ **Cần khóa chỉnh đặt cỡ sâu lưỡi và cạnh xiên phải được vặn chắc lại và đảm bảo an toàn trước khi cửa cắt.** Nếu sự điều chỉnh của lưỡi bị thay đổi trong khi cắt, nó có thể gây ra sự chèn chặt và giạt ngược.

▶ **Cần cẩn trọng hơn khi cửa vào các vách tường hiện sẵn có hay các khu vực không nhìn thấy được.** Phần lưỡi nhô ra có thể cắt các vật thể có thể gây ra sự dội ngược.

**Chức năng của chấn dưới**

▶ **Trước mỗi lần sử dụng, kiểm tra xem chấn dưới có khép vào hết không. Không sử dụng máy cửa nếu chấn dưới không di chuyển tự do và khép ngay lại được. Không bao giờ kẹp hay cột chấn dưới ở vị trí mở.** Nếu vô ý làm cửa rớt xuống, chấn dưới có thể bị móp. Dùng cần kéo đàn hồi để kéo thụ chấn dưới lên, và đảm bảo rằng, chấn vẫn chuyển động tự do, không chạm vào lưỡi hay bất cứ bộ phận nào khác, ở mọi góc độ và cỡ sâu cắt.

▶ **Kiểm tra sự hoạt động của lò xo của chấn dưới, nếu chấn và lò xo không hoạt động đúng cách, phải đến chúng đi sửa chữa trước khi sử dụng.** Chấn dưới có thể hoạt động không nhanh nhạy do có bộ phận bị hỏng, do cặn nhựa hay do mặt đệm tích tụ.

▶ **Mở nắp bảo vệ dưới bằng tay chỉ đối với những trường hợp cắt đặc biệt, như “cắt ngập sâu và cắt góc”.** Mở nắp bảo vệ sau bằng tay gạt kéo xuống và thả ra ngay khi lưỡi cửa chạm vật thể. Với tất cả các công việc của khác, nắp bảo vệ dưới nên vận hành tự động.

▶ **Luôn luôn quan sát xem chấn dưới đã che lưỡi cắt chưa trước khi đặt cửa xuống bàn thợ hay sàn nhà.** Lưỡi cửa đang cuộn đi, không được che chấn sẽ làm cho cửa đi giạt lùi, cắt vào bất cứ vật gì trên đường đi của nó. Hãy nhận biết thời gian cần đủ cho lưỡi ngừng quay sau khi nhà công nhân ra.


**Các cảnh báo phụ thêm**

▶ **Không được đưa tay chạm vào trong bộ phận tổng mặt cửa.** Tay có thể bị các bộ phận đang chuyển động làm tổn thương.

▶ **Không thao tác cửa cao quá tầm đầu.** Ở vào tư thế này, bạn không điều khiển hoàn toàn dụng cụ điện được.

▶ **Sử dụng thiết bị dò tìm thích hợp để xác định các đường hay ống dẫn công ích nằm âm trong khu vực làm việc hay liên hệ với cty công trình phúc lợi để nhờ giúp đỡ.** Tiếp xúc với dây điện có thể dẫn đến cháy và bị điện giật. Chạm đường dẫn khí đốt có thể gây nổ. Làm thủng ống dẫn nước có thể làm hư hại tài sản hay có thể gây ra điện giật.

- ▶ **Không bắt cố định dụng cụ điện cầm tay để vận hành.** Máy không được thiết kế để vận hành với bàn máy cưa.
- ▶ **Không sử dụng lưỡi cưa thép gió (HSS).** Các loại lưỡi cắt như vậy có thể bị gãy dễ dàng.
- ▶ **Không được cưa kim loại màu.** Các phiêi cháy đó có thể gây cháy bộ phận hút bụi.
- ▶ **Kẹp chặt vật gia công.** Vật gia công được kẹp bằng một thiết bị kẹp hay bằng êtô thì vững chắc hơn giữ bằng tay.
- ▶ **Luôn luôn đợi cho máy hoàn toàn ngừng hẳn trước khi đặt xuống.** Dụng cụ lắp vào máy có thể bị kẹp chặt dẫn đến việc dụng cụ điện cầm tay bị mất điều khiển.
- ▶ **Không được tháo pin ra.** Nguy cơ bị chập mạch.
 



**Bảo vệ pin không để bị làm nóng, ví dụ, chống để lâu dài dưới ánh nắng gay gắt, lửa, nước, và sự ẩm ướt.** Sự nguy hiểm của nổ.
- ▶ **Trong trường hợp pin bị hỏng hay sử dụng sai cách, hơi nước có thể bốc ra. Hãy làm cho thông thoáng khí và trong trường hợp bị đau phải nhờ y tế chữa trị.** Hơi nước có thể gây ngứa hệ hô hấp.
- ▶ **Hãy chỉ sử dụng pin với sự kết hợp của sản phẩm Bosch của bạn.** Chỉ bằng cách này, pin sẽ được bảo vệ tránh nguy cơ quá tải.
- ▶ **Pin có thể bị hư hại bởi các vật dụng nhọn như đinh hay tuốc-nơ-vít hoặc bởi các tác động lực từ bên ngoài.** Nó có thể dẫn tới đoản mạch nội bộ và làm pin bị cháy, bốc khói, phát nổ hoặc quá nóng.

## Mô Tả Sản Phẩm và Đặc Tính Kỹ Thuật



**Đọc kỹ mọi cảnh báo an toàn và mọi hướng dẫn.** Không tuân thủ mọi cảnh báo và hướng dẫn được liệt kê dưới đây có thể bị điện giật, gây cháy và/hay bị thương tật nghiêm trọng.

### Dành sử dụng cho

Máy được thiết kế để cắt gỗ bằng những đường cắt thẳng theo chiều dọc và đường chéo góc, cũng như đường cắt xiên để tạo góc vuông khi máy được đặt chắc chắn trên vật gia công.

Đèn của dụng cụ điện này được xác định dùng để chiếu sáng khu vực làm việc trực tiếp của dụng cụ này và không thích hợp để chiếu sáng phòng trong hộ gia đình.

## Biểu trưng của sản phẩm

Sự đánh số các biểu trưng của sản phẩm là để tham khảo hình minh họa của máy trên trang hình ảnh.

- 1 Pin
- 2 Nút tháo pin
- 3 Nút nhả khóa của công tắc Tắt/Mở
- 4 Công tắc Tắt/Mở
- 5 Khóa lục giác
- 6 Nút khóa trục
- 7 Chân đế khuôn bao
- 8 Đinh vít gia cố cho vectơ vận tốc song song
- 9 Thước đo góc vuông mộng
- 10 Bu-long tai hồng dùng để chọn trước góc xiên
- 11 Vạch cắt, 45 °
- 12 Vạch cắt, 0 °
- 13 Chấn bảo vệ lưỡi
- 14 Tay nắm (bề mặt nắm cách điện)
- 15 Đèn báo sự kiểm soát dòng điện nạp
- 16 Đèn báo kiểm soát nhiệt độ/bảo vệ chống quá tải
- 17 Bu-long tai hồng dùng chọn trước chiều sâu cắt
- 18 Thước đo cỡ sâu cắt
- 19 Cán đàn hồi dùng để kéo thật chấn bảo vệ lưỡi vào
- 20 Trục cưa
- 21 Chấn đàn hồi bảo vệ lưỡi
- 22 Bích lắp
- 23 Lưỡi cưa
- 24 Bích kẹp
- 25 Bu-long bắt cố định
- 26 "PowerLight" (Đèn Chiếu Sáng)
- 27 Hệ tham chiếu để điều chỉnh góc chụp quay
- 28 Vít lắp ráp bộ phận hút ghép nối vào
- 29 Bộ phận hút ghép nối\*
- 30 Vòi ống máy hút\*
- 31 Hệ tham chiếu để điều chỉnh độ sâu vết cắt
- 32 Vectơ vận tốc song song/ Bộ điều chỉnh đường ray dẫn hướng\*
- 33 Hàm kẹp\*
- 34 Ray dẫn hướng\*

\*Phụ tùng được trình bày hay mô tả không phải là một phần của tiêu chuẩn hàng hóa được giao kèm theo sản phẩm. Bạn có thể tham khảo tổng thể các loại phụ tùng, phụ kiện trong chương trình phụ tùng của chúng tôi.

## 52 | Tiếng Việt

**Thông số kỹ thuật**

Cửa Dĩa	GKS 12 V-LI	
Mã số máy		3 601 FA1 0..
Điện thế danh định	V=	12
Tốc độ không tải	v/p	1 400
Cỡ sâu cắt, tối đa		
- Cho góc xiên 0 °	mm	26,5
- Cho góc xiên 45 °	mm	17,0
Khóa trục		●
Kích thước chân đế	mm	167 x 88
Đường kính lưỡi cửa, tối đa	mm	85
Đường kính lưỡi cửa, tối thiểu	mm	85
Độ dày lưỡi cửa, tối đa	mm	0,7
Độ dày răng cửa/phân bố, tối đa	mm	1,1
Độ dày răng cửa/phân bố, tối thiểu	mm	1,0
Lỗ lắp vào	mm	15
Trọng lượng theo Quy trình EPTA-Procedure 01:2014 (chuẩn EPTA 01:2014)	kg	1,4
Nhiệt độ môi trường cho phép		
- trong quá trình sạc điện	°C	0... +45
- khi vận hành* và khi lưu trữ	°C	-20... +50
Pin được khuyến dùng		GBA 12V ...O-...
Thiết bị nạp được giới thiệu		GAL 12.. CV

\* hiệu suất giới hạn ở nhiệt độ < 0 °C

Các dữ kiện kỹ thuật được xác định cho pin được giao cùng hàng hóa cung cấp.

**Sự lắp vào****Nạp điện pin**

- ▶ **Chỉ nên sử dụng các bộ nạp điện pin được liệt kê trong trang phụ kiện.** Chỉ có các bộ nạp điện pin này mới thích hợp với pin lithium ion dùng cho dụng cụ điện cầm tay của bạn.

**Ghi Chú:** Pin giao kèm máy chỉ được nạp điện một phần. Để đảm bảo pin có đầy đủ điện dung, nạp điện hoàn toàn cho pin bằng bộ nạp điện pin trước khi bạn sử dụng dụng cụ điện cho lần đầu tiên.

Pin Lithium ion có thể nạp điện bất cứ lúc nào mà vẫn không làm giảm tuổi thọ của pin. Sự làm gián đoạn quy trình nạp điện không làm cho pin bị hư hỏng.

Pin Li-on được bảo vệ ngăn sự phóng điện quá lớn nhờ vào "Bộ phận Điện tử Bảo vệ Pin (Electronic Cell Protection = ECP)". Khi pin hết điện, máy tự tắt nhờ vào thiết bị bảo vệ mạch: Dụng cụ đang lắp trong máy dừng quay hẳn.

- ▶ **Không được tiếp tục nhấn vào công tắc Tắt/Mở sau khi máy đã tự động tắt.** Có thể làm cho pin hỏng.

Tuân thủ các chú thích dành cho việc thái bỏ.

**Tháo Pin**

Pin **1** được trang bị hai lớp khóa để ngăn sao cho pin không bị rơi ra ngoài khi vô ý nhấn phải nút tháo pin **2**. Cứ khi nào pin còn được lắp trong dụng cụ điện, nó vẫn được giữ nguyên vị trí nhờ vào một lò xo.

Để tháo pin **1**, nhấn nút tháo pin **2** và kéo pin ra khỏi dụng cụ điện hướng ra phía sau. **Không dùng cường lực.**

**Đèn Báo Sự Kiểm Soát Dòng Điện Nạp**

Ba đèn LED màu xanh lá của bộ nạp điện pin báo hiệu sự kiểm soát sự nạp điện pin **15** báo hiệu tình trạng nạp điện của pin **1**. Vì lý do an toàn, ta chỉ có thể kiểm tra trạng thái của tình trạng nạp điện khi máy đã ngừng hoạt động hoàn toàn.

Nhấn công tắc Tắt/Mở **4** xuống nửa chừng hay xuống hết để chỉ rõ tình trạng nạp điện.

LED	Điện dung
Sáng liên tục 3 x màu xanh lá	≥ 2/3
Sáng liên tục 2 x màu xanh lá	≥ 1/3
Sáng liên tục 1 x màu xanh lá	< 1/3
Chớp sáng 1 x màu xanh lá	Sự Dự Phòng

Khi không có đèn LED nào sáng lên sau khi nhấn công tắc Tắt/Mở **4**, Pin đã bị hỏng và cần phải thay.

**Lắp/Thay Lưỡi Cửa**

- ▶ **Trước khi thực hiện bất cứ việc gì trên dụng cụ điện, hãy tháo pin ra.**
- ▶ **Khi lắp ráp lưỡi cửa, hãy mang găng tay bảo hộ vào.** Nguy cơ gây thương tích khi chạm vào lưỡi cửa.
- ▶ **Chỉ sử dụng lưỡi cửa phù hợp với các thông số kỹ thuật đã cho trong phần hướng dẫn sử dụng.**
- ▶ **Trong bất kỳ trường hợp nào cũng không được sử dụng đĩa mài thay cho dụng cụ cắt.**

**Chọn Lựa Lưỡi Cửa**

Phần khuyến nghị tổng quát dành cho lưỡi cửa có thể tra tìm ở phần cuối sách hướng dẫn sử dụng này.

**Lấy Lưỡi Cửa Ra (xem hình A)**

Để thay dụng cụ cắt, tốt nhất là nên đặt máy lên bên bề mặt có vỏ bọc động cơ.



- Nhấn nút khóa trục **6** và giữ nhấn.

- ▶ **Nút khóa trục 6 chỉ có thể hoạt động khi trục khoan máy cửa đã dừng yên một chỗ.** Nếu không như vậy, dụng cụ điện có thể bị làm hỏng.
- Với chìa vận sáu cạnh **5**, vận bu-long lắp ráp ra **25** xoay theo chiều quay **1**.

- Kéo thật chắc dàn hồi bảo vệ lưới vào **21** và giữ chặt.
- Tháo bích kẹp **24** và lưới cắt **23** ra khỏi trục cửa **20**.

#### Lắp Ráp Lưới Cửa (xem hình A)

Để thay dụng cụ cắt, tốt nhất là nên đặt máy lên bên bề mặt có vỏ bọc động cơ.

- Lau sạch lưới cửa **23** và tất cả các bộ phận kẹp khác sắp được lắp vào.
- Kéo thật chắc dàn hồi bảo vệ lưới vào **21** và giữ chặt.
- Đặt lưới cửa **23** lên trên bích lắp **22**. Chiều cắt của răng cửa (chiều của mũi tên trên lưới cửa) và chiều mũi tên chỉ chiều quay trên chắn bảo vệ dàn hồi **21** phải tương ứng với nhau.
- Lắp bích kẹp **24** và vận bu-long lắp ráp vào **25** xoay theo chiều quay . Tuân thủ theo đúng vị trí lắp đặt của bích lắp **22** và bích kẹp **24**.
- Nhấn nút khóa trục **6** và giữ nhấn.
- Dùng chìa vặn sáu cạnh **5**, siết chặt bu-long lắp ráp **25** xoay theo chiều quay . Lực siết vặn ở vào khoảng giữa 6–9 Nm, phù hợp với sự siết chặt bằng tay cộng thêm ¼ vòng.

#### Hút Dăm/Bụi

► **Trước khi thực hiện bất cứ việc gì trên dụng cụ điện, hãy tháo pin ra.**

► Mặt bụi từ các vật liệu được sơn phủ ngoài có chứa chì trên một số loại gỗ, khoáng vật và kim loại có thể gây nguy hại đến sức khỏe con người. Dụng cụ chạm hay hít thở các bụi này có thể làm người sử dụng hay đứng gần bị dị ứng và/hoặc gây nhiễm trùng hệ hô hấp.

Một số mặt bụi cụ thể, ví dụ như bụi gỗ sỏi hay đất, được xem là chất gây ung thư, đặc biệt là có liên quan đến các chất phụ gia dùng xử lý gỗ (chất cromat, chất bảo quản gỗ). Có thể chỉ nên để thợ chuyên môn gia công các loại vật liệu có chứa amiăng.

- Để đạt mức độ cao của việc hút bụi, hãy sử dụng máy hút bụi phù hợp với công cụ điện này.
- Tạo không khí thông thoáng nơi làm việc.
- Khuyến nghị nên mang mặt nạ phòng độc có bộ lọc cấp P2.

Tuân thủ các qui định của quốc gia bạn liên quan đến loại vật liệu gia công.

#### Lắp Bộ Phận Hút Ghép Nối (xem hình B)

Bắt bộ phận hút ghép nối **29** lên trên đế khuôn bao **7** bằng vít lắp ráp cố định **28**.

Vòi ống hút có đường kính 19 mm có thể dùng để nối với bộ phận hút ghép nối **29**.

► **Khi máy không nối với máy hút bụi bên ngoài, có thể không cần gắn bộ phận hút ghép nối vào.** Nếu không, đường hút có thể bị tắc nghẽn.

► **Không lắp túi đựng bụi vào bộ phận hút ghép nối.** Nếu không, hệ thống hút có thể bị tắc nghẽn.

Để đảm bảo sự hút được tốt nhất, bộ phận hút ghép nối **29** phải được làm sạch thường xuyên.

#### Máy Hút Bụi Ngoài

Nối vòi ống hút chân không **30** vào máy hút chân không (phụ kiện). Phần tổng quát hướng dẫn cách đấu nối với các loại máy hút chân không khác nhau, có thể tra tìm ở phần cuối của sách hướng dẫn sử dụng này.

Máy hút bụi phải thích hợp dành cho loại vật liệu đang gia công.

Khi hút bụi khô loại đặc biệt gây nguy hại đến sức khỏe hoặc gây ra ung thư, hãy sử dụng máy hút bụi loại chuyên dụng.

## Vận Hành

### Chế Độ Hoạt Động

► **Trước khi thực hiện bất cứ việc gì trên dụng cụ điện, hãy tháo pin ra.**

#### Điều Chỉnh Cỡ Sâu Cắt (xem hình C)

► **Điều chỉnh cỡ sâu cắt phù hợp với độ dày của vật liệu gia công.** Phải nhìn thấy được gần như nguyên răng của lưới cửa bên dưới vật liệu gia công.

Nới lỏng bu-long tai hồng **17**. Đối với cỡ sâu được cắt nhỏ, kéo máy từ chân đế khuôn bao **7**; Đối với cỡ sâu được cắt lớn, đẩy máy về hướng chân đế khuôn bao **7**. Điều chỉnh cỡ sâu cắt yêu cầu tại thước điều chỉnh cỡ sâu cắt **18**. Siết chặt bu-long tai hồng **17** lại như trước.

Khi điều chỉnh độ sâu vết cắt, hãy sử dụng hiệu tham chiếu **31** cùng phía thước đo độ sâu vết cắt **18**.

#### Điều Chỉnh Góc Cắt

Tốt nhất là đặt máy bên bề mặt của chắn bảo vệ lưới **13**.

Vặn lỏng bu-long tai hồng **10**. Kéo nghiêng cửa sang một bên. Điều chỉnh sự chỉnh đặt theo yêu cầu trên thước đo **9**. Siết chặt bu-long tai hồng **10** lại như trước.

Khi điều chỉnh góc chụp quay, hãy sử dụng hiệu tham chiếu **27** (cạnh trên của giá đỡ).

**Ghi Chú:** Để thực hiện các đường cắt xiên, cỡ sâu cắt nhỏ hơn cỡ đã chỉnh đặt chỉ trên thước đo cỡ sâu **18**.

#### Các Vạch Cắt

Vạch cắt số **0° 12** biểu thị vị trí của lưới cửa dùng cho góc cắt vuông. Vạch cắt **45° 11** biểu thị vị trí của lưới cửa cho góc cắt **45°** cắt.

## 54 | Tiếng Việt

**Bắt Đầu Vận Hành****Lắp Pin Vào**

► **Chỉ sử dụng pin Li-ion của chính hãng Bosch với điện thế được ghi trên nhãn máy của dụng cụ điện cầm tay của bạn.** Sử dụng các loại pin khác có thể dẫn đến thương tật và gây ra cháy.

Lắp pin đã nạp đầy điện **1** từ phía trước vào trong khoang đế của dụng cụ điện. Đẩy pin vào hết trong phần khoang đế cho đến khi không còn thấy vạch màu đỏ và pin đã được khóa giữ chắc chắn.

**Bật Mở và Tắt**

Để **khởi động** máy, **trước hết** nhấn nút nhả khóa của công tắc Tắt/Mở **3** và **sau đó** nhấn công tắc Tắt/Mở **4** và tiếp tục giữ nguyên nhấn.

Để **tắt** máy, **nhả** công tắc Tắt/Mở **4** ra.

**Ghi Chú:** Vì lý do an toàn, công tắc chuyển mạch Tắt/Mở **4** không thể khóa tự chạy được, mà phải giữ nhấn trong suốt quá trình vận hành.

**Hãm Trốn Quay**

Phanh trốn chạy tích hợp làm giảm thời gian trốn chạy của lưỡi cưa sau khi tắt máy.

**Đèn Báo Kiểm Soát Nhiệt Độ/Bảo Vệ Chống Quá Tải**

Đèn LED đỏ **16** sẽ giúp cho bạn trong việc bảo vệ pin chống sự quá nhiệt và chống sự quá tải cho mô-tơ.

Khi đèn báo LED **16 sáng đỏ liên tục**, nhiệt độ của pin bị quá cao và máy tự động tắt.

- Tắt dụng cụ điện.
- Để cho pin nguội xuống trước khi tiếp tục làm việc.

**16 nháy sáng đỏ**, dụng cụ điện bị chèn chặn và tự động tắt.

Lấy dụng cụ điện ra khỏi vật gia công.

Ngay khi việc tắc nghẽn được khắc phục, dụng cụ điện sẽ tiếp tục làm việc.

**Bảo Vệ Chống Sự Phóng Điện Quá Nhiều**

Pin Li-on được bảo vệ ngăn sự phóng điện quá lớn nhờ vào "Bộ phận Điện tử Bảo vệ Pin (Electronic Cell Protection = ECP)". Khi pin hết điện, máy tự tắt nhờ vào thiết bị bảo vệ mạch: Dụng cụ đang lắp trong máy dừng quay hẳn.

**Mở đèn LED Rọi Sáng Phạm Vi Gia Công**

Ánh sáng **26** sáng lên khi công tắc Tắt/Mở **4** được bóp nhẹ hay bóp hết vào cho phép rọi sáng được phạm vi gia công khi tình trạng ánh sáng không được tốt.

**Hướng Dẫn Sử Dụng**

Bảo vệ lưỡi cưa không bị va đập và dụng cụ chạm mạnh.

Đẩy máy đều tay và cho nạp tải vừa nhẹ theo chiều cắt. Sự nạp tải quá mức làm giảm đáng kể tuổi thọ

của lưỡi cưa và có thể làm hư hỏng dụng cụ điện cầm tay.

Hiệu suất cưa và chất lượng của sự cưa cắt tùy thuộc chủ yếu vào điều kiện, kiểu dáng răng của lưỡi cưa. Vì vậy, chỉ nên sử dụng các lưỡi cưa bền, thích hợp với loại vật liệu được gia công.

**Cưa Gỗ**

Sự lựa chọn đúng loại lưỡi cưa dựa trên loại và chất lượng gỗ và cách cắt theo yêu cầu, cắt theo chiều dọc hay chiều chéo góc.

Khi xẻ dọc gỗ cây vân sấm, dăm bào được tạo ra thường xoắn dài.

Mặt cưa của gỗ sồi và dẫu đặt biệt gây độc hại cho sức khỏe. Vì vậy, chỉ gia công kết hợp với máy hút bụi.

**Cưa Cùng Với Đường Cạnh Cạnh (xem hình D)**

Đường cạnh **32** cho phép thực hiện các đường cắt chính xác dọc theo cạnh vật gia công và xẻ thanh có cùng đều kích cỡ.

Điều chỉnh độ rộng vết cắt mong muốn trên các cạnh ngoài của các tấm nền với sự giúp đỡ của thước đo theo chỉ dẫn của vectơ vận tốc song song/ bộ điều chỉnh đường ray dẫn hướng. (xem hình D)

**Cưa Với Đường Phụ (xem hình F)**

Để cưa vật gia công rộng bản hoặc có cạnh thẳng, dùng ván hay thanh nẹp kẹp vào vật gia công như là một đường phụ; có thể đẩy chân đế của cưa đĩa tựa dọc theo đường phụ.

**Cưa Với Ray Dẫn Hướng (xem hình E)**

Ray dẫn hướng **34** được sử dụng để thực hiện các đường cắt thẳng.

**Ghi Chú:** Chỉ sử dụng thanh ray dẫn hướng **34** để cắt đường vuông góc. Khi dùng cắt mộng ghép chéo góc, thanh ray dẫn hướng **34** có thể bị hư hỏng.

Bề mặt có chất dính phủ ngoài ngăn ngừa ray dẫn hướng bị trượt và bảo vệ bề mặt vật gia công. Phủ phủ ngoài của ray dẫn hướng cho phép cưa đĩa lướt đi một cách dễ dàng.

Cố định đường ray dẫn hướng **34** bằng các thiết bị kẹp phù hợp, ví dụ kẹp vít, trên các phôi gia công. Hãy lắp dụng cụ điện với bộ điều chỉnh đường ray dẫn hướng hoàn chỉnh trên đường ray dẫn.

**Ghi Chú:** Lắp ráp vectơ vận tốc song song/ bộ điều chỉnh đường ray dẫn hướng **32** với biểu tượng của Bosch phía dưới các dụng cụ điện.

**Ray dẫn hướng 34 phải không được thò ra khỏi mặt cạnh của vật gia công, chỗ sẽ khởi công cắt.**

Mở máy và đẩy máy theo chiều cắt với lực áp máy cho gia tải vừa phải và đều tay.

### Làm việc với vectơ vận tốc song song/ bộ điều chỉnh đường ray dẫn hướng và ống hút mềm

Đầu tiên hãy lắp bộ điều chỉnh hút **29** với ống hút **30** và sau đó đến vectơ vận tốc song song/ bộ điều chỉnh đường ray dẫn hướng **32**.

**Ghi Chú:** Để sửa chữa vectơ vận tốc song song/ bộ điều chỉnh đường ray dẫn hướng **32** và bộ điều chỉnh hút **29** hãy chỉ sử dụng các ốc vít được cung cấp!

### Các Khuyến Nghị về Cách Bảo Dưỡng Tốt Nhất cho Pin

Tránh không để pin ở nơi ẩm ướt hoặc có nước.

Chỉ bảo quản pin trong tầm nhiệt độ nằm giữa  $-20\text{ }^{\circ}\text{C}$  và  $50\text{ }^{\circ}\text{C}$ . Ví dụ, không để pin trong xe ô tô vào mùa hè.

Thỉnh thoảng làm sạch các khe thông gió của pin bằng cách dùng một cái cọ khô, mềm và sạch.

Sự giảm thời gian hoạt động một cách rõ rệt sau khi nạp điện chỉ cho thấy rằng pin đã được sử dụng và phải được thay.

Tuân thủ các chú thích dành cho việc thải bỏ.

## Bảo Dưỡng và Bảo Quản

### Bảo Dưỡng Và Làm Sạch

▶ **Trước khi tiến hành bất cứ công việc gì với máy (vd., bảo dưỡng, thay dụng cụ v.v.) cũng như khi vận chuyển hay lưu kho, tháo pin ra khỏi dụng cụ điện.** Có nguy cơ gây thương tích khi vô tình làm kích hoạt công tắc Tất/Mở.

▶ **Để được an toàn và máy hoạt động đúng chức năng, luôn luôn giữ máy và các khe thông gió được sạch.**

Chấn dãn hồi bảo vệ lưỡi phải luôn luôn có thể chuyển động tự do, co thực tự động. Vì vậy, luôn luôn giữ cho phạm vi chung quanh chấn dãn hồi bảo vệ lưỡi được sạch. Dùng hơi nén để thổi hay dùng cọ để quét sạch bụi và dăm.

Lưỡi cửa không được phủ ngoài, có thể bảo vệ được bằng cách dùng loại dầu nhờn không axit phủ một lớp mỏng chống gỉ sét lên. Phải lau sạch dầu nhờn lại trước khi sử dụng, nếu không, sẽ làm gỗ bị bẩn.

Cặn nhựa và keo dính trên lưỡi cửa tạo ra đường cắt có chất lượng tối. Vì vậy, làm sạch lưỡi cửa ngay sau mỗi lần sử dụng.

### Dịch Vụ Sau Khi Bán và Dịch Vụ Ứng Dụng

Bộ phận phục vụ hàng sau khi bán của chúng tôi sẽ trả lời các câu hỏi liên quan đến việc bảo trì và sửa chữa các sản phẩm cũng như các phụ tùng thay thế của bạn. Hình ảnh chi tiết và thông tin phụ tùng thay thế có thể tìm hiểu theo địa chỉ dưới đây:

[www.bosch-pt.com](http://www.bosch-pt.com)

Bộ phận dịch vụ ứng dụng Bosch sẽ hân hạnh trả lời các câu hỏi liên quan đến các sản phẩm của chúng tôi và linh kiện của chúng.

Trong tất cả các phản hồi và đơn đặt phụ tùng, xin vui lòng luôn nhập số hàng hóa 10 chữ số theo nhãn của hàng hóa.

### Việt Nam

Công ty Trách Nhiệm Hữu Hạn Robert Bosch Việt Nam, PT/SVN  
Tầng 10, 194 Golden Building  
473 Điện Biên Phủ  
Phường 25, Quận Bình Thạnh  
Thành Phố Hồ Chí Minh  
Việt Nam  
Tel.: (08) 6258 3690 Ext 413  
Fax: (08) 6258 3692  
[hieu.lagia@vn.bosch.com](mailto:hieu.lagia@vn.bosch.com)  
[www.bosch-pt.com](http://www.bosch-pt.com)


### Vận Chuyển

Pin có chứa lithium-ion là đối tượng phải tuân theo các quy định của Pháp Luật về Hàng Hóa Nguy Hiểm. Người sử dụng có thể vận chuyển pin bằng đường bộ mà không cần có thêm yêu cầu nào khác. Khi được vận chuyển thông qua bên thứ ba (vd. vận chuyển bằng đường hàng không hay đại lý giao nhận), phải tuân theo các yêu cầu đặc biệt về đóng gói và dán nhãn. Để chuẩn bị cho món hàng sẽ được gửi đi, cần tham khảo ý kiến của chuyên gia về vật liệu nguy hiểm.

Chỉ gửi pin đi khi vỏ ngoài không bị hư hỏng. Dán băng keo hay che kín các điểm tiếp xúc để hở và đóng gói pin cách sao cho pin không thể xô dịch khi nằm trong bao bì được.

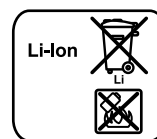
Cũng xin vui lòng tuân theo quy định chi tiết có thể có của mỗi quốc gia.

### Thải bỏ

 Máy, pin nạp điện lại được, phụ kiện và bao bì phải được phân loại để tái chế theo hướng thân thiện với môi trường.

Không được vứt bỏ dụng cụ điện, pin/pin nạp điện lại được vào chung với rác sinh hoạt!

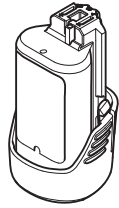
### Pin lốc/pin:



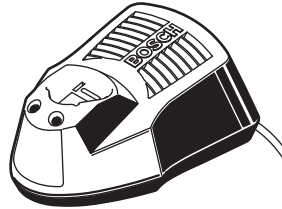
### Li-ion:

Xin vui lòng tuân thủ theo thông tin dưới đây "Vận Chuyển", trang 55.

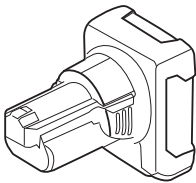
**Được quyền thay đổi nội dung mà không phải thông báo trước.**



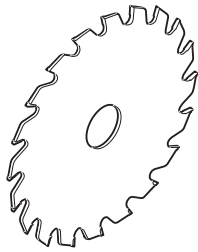
GBA 12 V...0-..



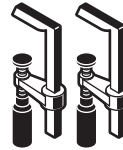
GAL 1230 CV  
(12 V)



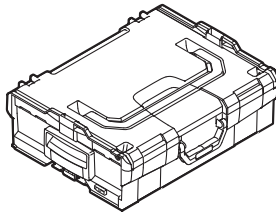
GBA 12 V...0-..



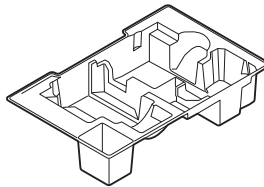
2 608 643 071



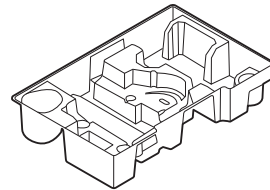
1 607 960 008



1 600 A00 1DZ  
(L-BOXX 136)



2 608 438 122



2 608 438 131



